

GO LABEL

The Smart Way to Manage Your Restaurant Operations

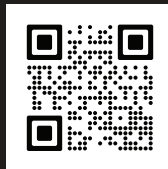
GoLabel is a wireless label printer designed to work with a tablet running GoOps or SubOps.

GoLabel simplifies your food prepping and labeling procedures. This Quick Start Guide will help you familiarize yourself with GoLabel before you get started.



SKIP THE GUIDE AND WATCH OUR "QUICK START" VIDEO!

Watch our "Quick Start" video by scanning the QR code or visiting www.zippyum.com/golabelsetup



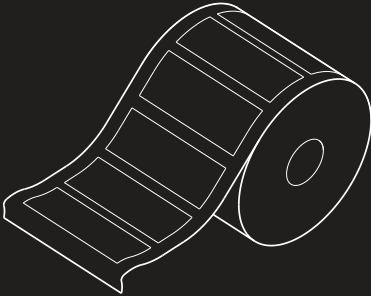
(888) 636-7557

support@zippyum.com

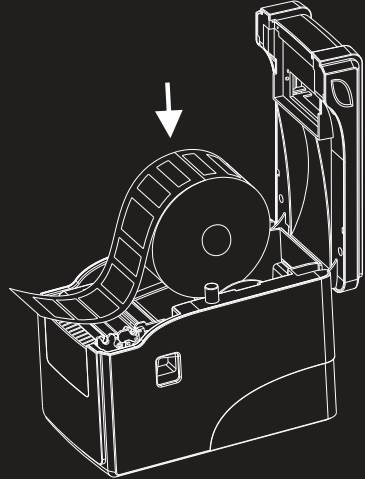
www.zippyum.com

SETUP

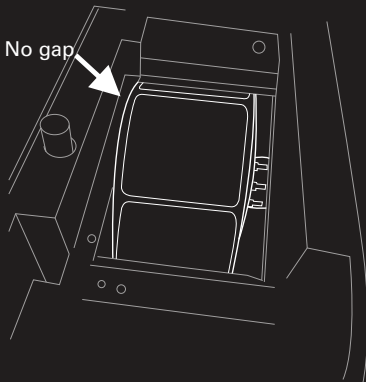
- 1 Open GoLabel's cover and remove any packaging material and the labels from inside. If the first label has tape on it, remove the tape.



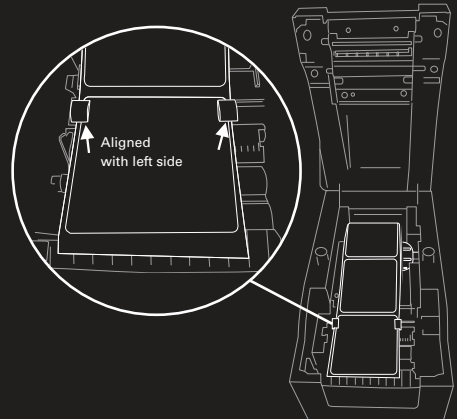
- 2 Place the roll of labels directly into the printer so the labels feed from the top.



- 3 Push the roll of labels to the left so the left side of the roll is flush with the left side of the printer.

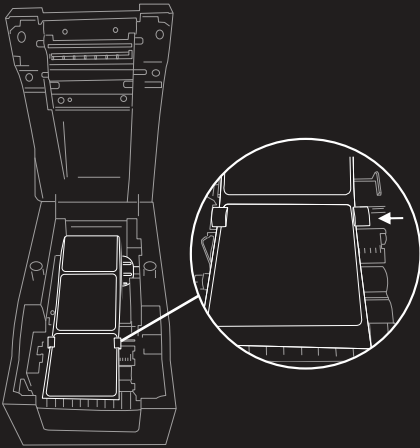


- 4 Feed the first label through the label feed guides, making sure the labels are aligned on the left side of the printer.

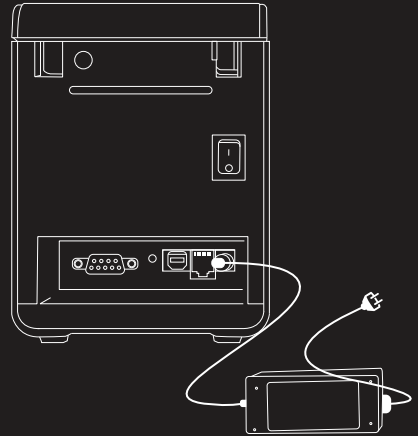


SETUP

- 5 If the label is loose in the feed guides, ensure the label feed guides are adjusted to the width of the label by moving the right guide, keeping the left edge of the labels aligned with the left side of the printer.



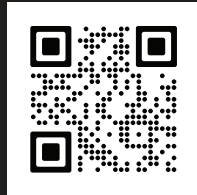
- 6 Feed the first label through so it is slightly sticking out of the printer. Then close, plug in, and turn on your GoLabel.



- 7 Download and install the GoOps or SubOps app on a compatible tablet.



GOOPS



SUBOPS

- 8 Enter your credentials, log into the app, and follow the on-screen Quick Start Guide to pair your GoLabel and set up the app.

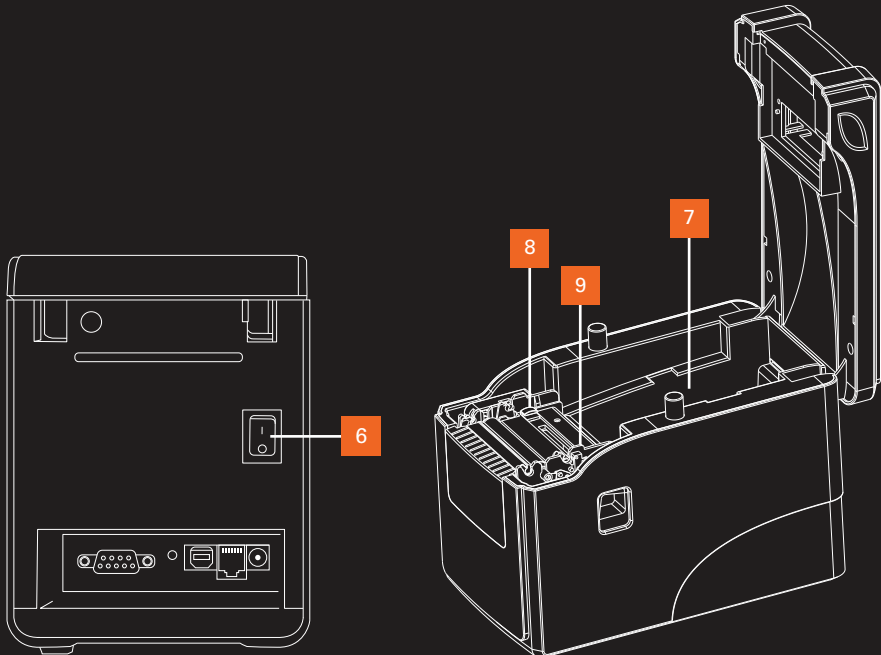
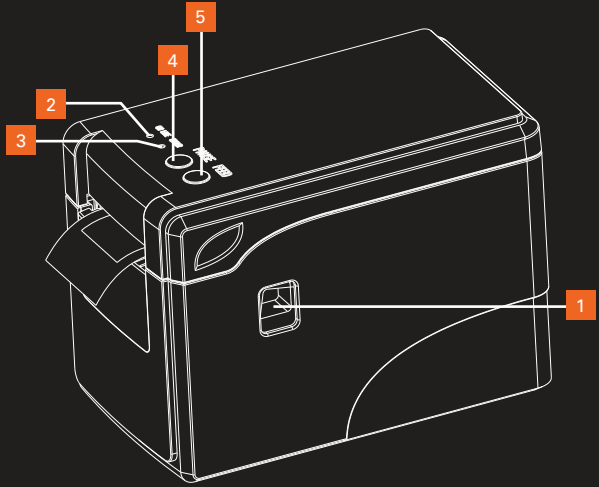
If you've registered, sign in using your credentials

Restaurant#

Password

GETTING TO KNOW YOUR GOLABEL HARDWARE

- 1 Cover Release Button
- 2 Connection Indicator
- 3 Error Indicator
- 4 Pause Button
- 5 Feed Button
- 6 Power Button
- 7 Label Roll Bucket
- 8 Left Feed Guide
- 9 Right Feed Guide



FCC Warning:

This equipment has been tested and found to comply with the limits for a Class B digital device, pursuant to part 15 of the FCC Rules. These limits are designed to provide reasonable protection against harmful interference in a residential installation. This equipment generates, uses and can radiate radio frequency energy and, if not installed and used in accordance with the instructions, may cause harmful interference to radio communications. However, there is no guarantee that interference will not occur in a particular installation. If this equipment does cause harmful interference to radio or television reception, which can be determined by turning the equipment off and on, the user is encouraged to try to correct the interference by one or more of the following measures:

- Reorient or relocate the receiving antenna.
- Increase the separation between the equipment and receiver.
- Connect the equipment into an outlet on a circuit different from that to which the receiver is connected.
- Consult the dealer or an experienced radio/TV technician for help.

Caution: Any changes or modifications to this device not explicitly approved by manufacturer could void your authority to operate this equipment.

This device complies with part 15 of the FCC Rules. Operation is subject to the following two conditions: (1) This device may not cause harmful interference, and (2) this device must accept any interference received, including interference that may cause undesired operation.

This equipment complies with FCC radiation exposure limits set forth for an uncontrolled environment. This equipment should be installed and operated with minimum distance 20cm between the radiator and your body.

Model: GL2120TH

FCC ID: 2AE6A-GL2120TH



PRINTING LABELS

The number on the printer shows how many labels will be printed. After printing a label(s), the number will turn grey and reset to 1.

Prepping & Printing Labels					John Smith	Count
PRODUCTS	QUANTITY	CONTAINERS	HOW-TO	PRINT LABEL		
Protein						
Cheese Pepper Jck Slcd	2 Pack (1 lb)	1 1/6 container				
Cheese Swiss Nat SI 32	2 Pack (1 lb)	1 1/6 container				
Chs American White Trngl 400S	1 Pack (5 lbs)	2 1/6 container				
Chs Jck/Ched Shred	1 Bag (2 lbs)	2 1/6 container				
Chs Provolone Slc	2 Pack (1 lb)	1 1/6 container				
Egg Patty Ylw 1 5 oz Fz	6 Pack (1 ct)	1 1/3 container				
Egg Whi Patty 1 5 oz Fz	6 Pack (1 ct)	1 1/3 container				
Toppings						
Glaze Teryaki	N/A	N/A				
Mayo Light	1 Pouch (52 oz)	8 Bottles				

Changing the number in the containers or quantity box will make the icon green again, indicating the new number of labels to print.

This icon indicates the item does not need a printed label. Just tap to mark it as completed.