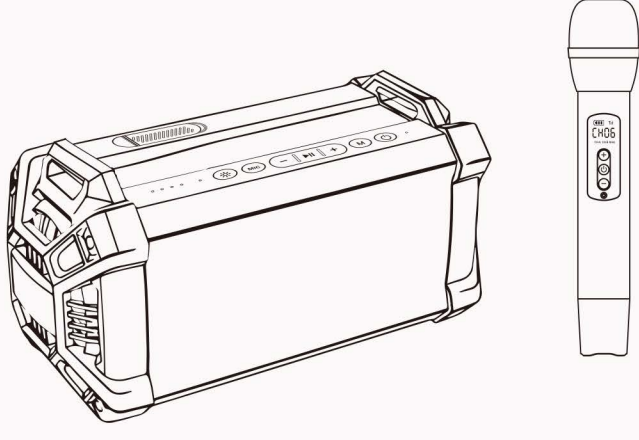


CROOVE®



CR-2713
SLING AND SING KARAOKE
with wireless microphone
CR-2713A

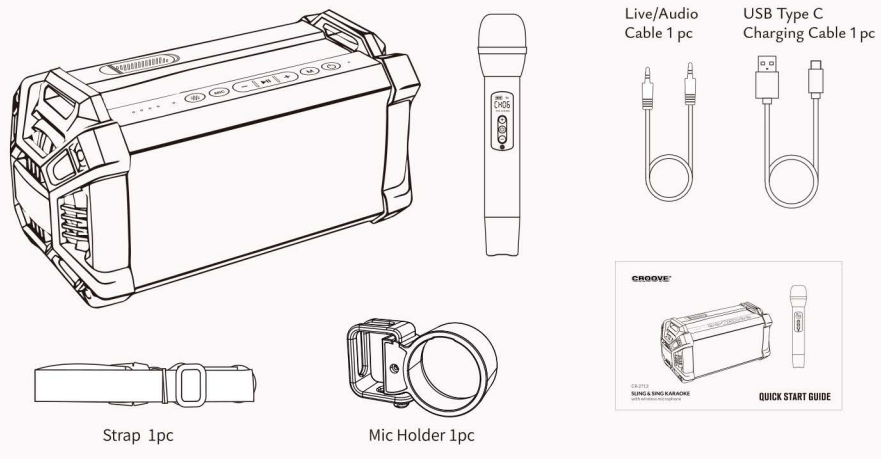
QUICK START GUIDE

WARNING

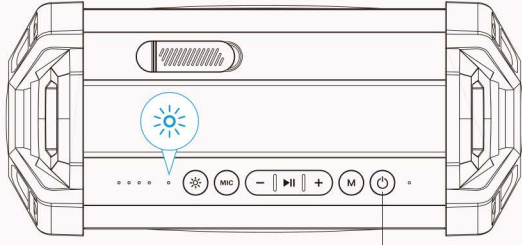


Please read user manually fully prior to first use
 *Please use and store the Slings and Sing Karaoke at room temperature
 *Do not throw or drop the Slings and Sing Karaoke to avoid damages
 *Do not use the Slings and Sing Karaoke near any heat source such as but not limited to: radiators, stoves, or excessive direct sunlight
 *Please use the charger supplied or a charger with the same rated voltage
 *Please keep volume at a comfortable level to avoid hearing loss
 *Regardless of any cause of the equipment damage, repair must be done by a professional maintenance personnel. Unauthorized dismantling will invalidate the product warranty.
 *If the battery is removed & improperly replaced there is a risk of explosion. This should not be done by the consumer & only authorized repair personnel.
 *Warning: The Slings and Sing Karaoke contains a battery and should not be exposed to conditions such as sunlight, fire or similar overheating circumstances.

PACKING CONTENT

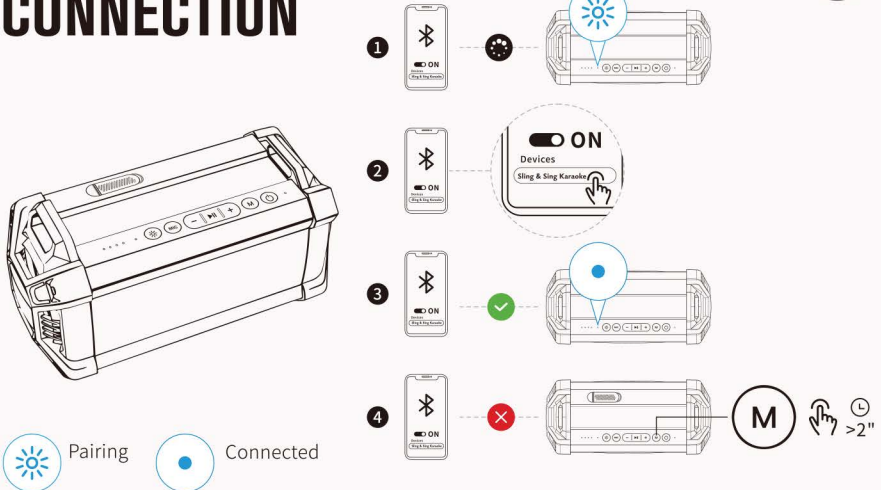


POWER ON

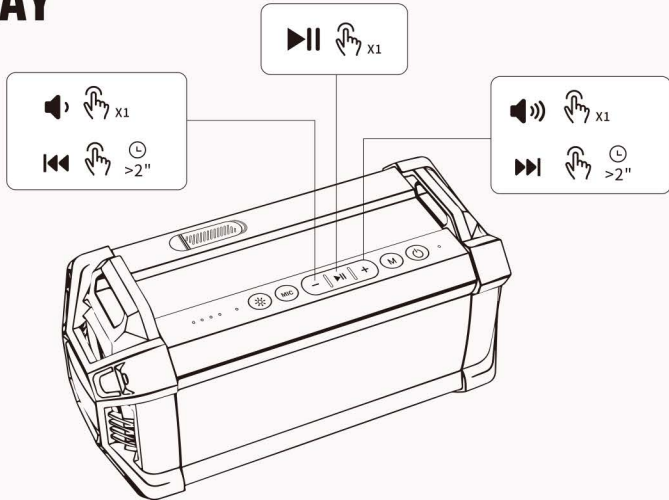


ON/OFF

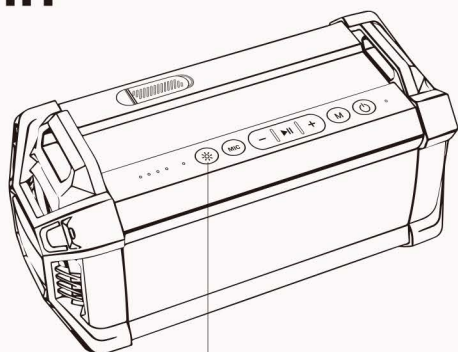
BLUETOOTH CONNECTION



PLAY

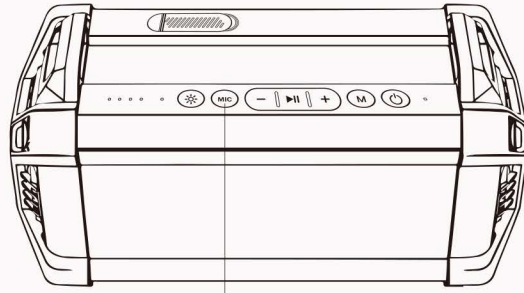


LIGHT



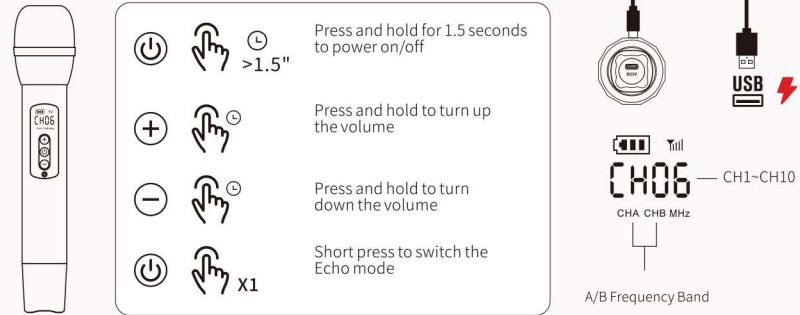
Light ON/OFF
 ON/OFF

MIC

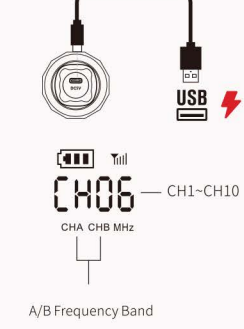


MIC
 x1
 Microphone Priority ON/OFF
 x1
 Microphone UHF Connected /Disconnected

MICROPHONE

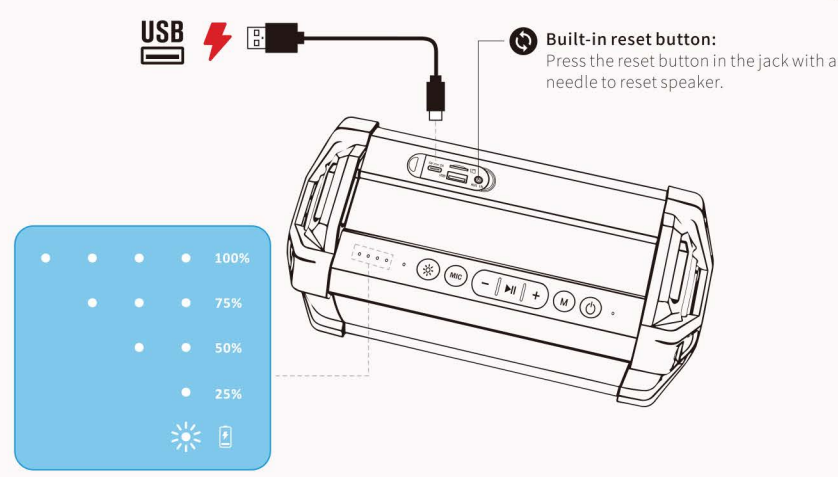


*The UHF connection is enabled by default when the speaker is turned on. If you want to connect the second microphone, please check the frequency band of the first one, if the frequency band of the first one is CHA, then switch the frequency band of the second microphone to CHB.



A/B frequency band switch:
 Press and hold the "A/B" button at the same time under the power-off status, it will display CHB or CHA and power on in 3 seconds.

CHARGE

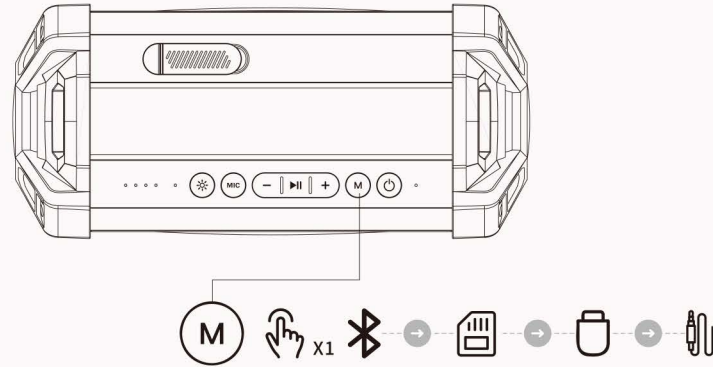


EN

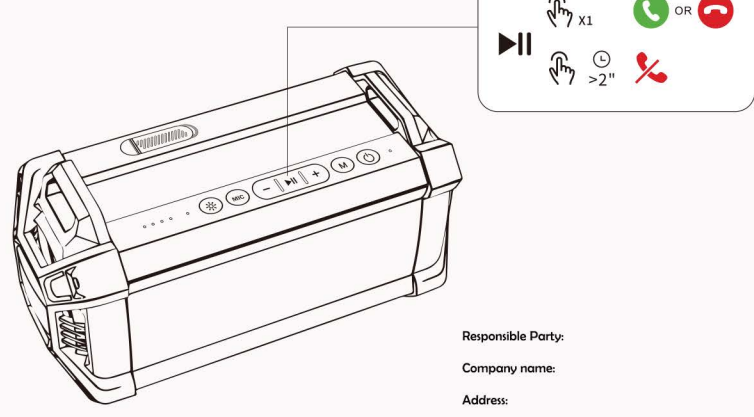
Technical Specification

Speaker: 2 x 3 inch full-range speaker
 Passive Radiators: 90mm x 2pcs
 Output power: 2 x 20W
 Frequency response: 60Hz-20kHz
 SNR: > 89dB
 Battery type: Lithium battery (3.7V 4500mAh) x 2
 Charging interface: USB Type-C
 Charging time of battery: Approx. 4.5 hours (5V/3A)
 Music playing time: Approx. 11 hours (depending on volume and audio content, with dynamic light off)
 Bluetooth version: 5.0
 Hands-free call: Yes
 Playable format: MP3, WMA, WAV, FLAC, APE (Micro SD Card / U disk)
 Dynamic light: RGB ambient lighting
 Amplifier function: Support wireless microphone amplification function
 Dimension of product: W307mm * H150.5mm * D140mm / W12.08" x H 5.92" x D 5.51"
 Weight of product: 2255g

MODE SWITCH



HANDS-FREE CALL



Responsible Party:
 Company name:
 Address:
 Tel:
 E-mail:

CAN ICES-3 (B) / NMB-3 (B)
 This Class B digital apparatus complies with Canadian ICES-003.
 (Cet appareil numérique de la Classe B conforme à la norme NMB-003 du Canada).

FCC ID: 2AE67-CR2713
 IC: 24386-CR2713
 MODEL NO: CR2713A
 FCC ID: 2AE67-CR2713A
 IC: 24386-CR2713A
 MODEL NO: CR2713A
 DESCRIPTION: SLING & SING KARAOKE
 POWER SOURCE: BUILT-IN RECHARGEABLE BATTERY
 INPUT: DC5V-3A
 MADE IN CHINA

This is device complies with Part 15 of the FCC Rules.
 Operation is subject to the following two conditions:
 (1) This device may not cause harmful interference, and
 (2) This device must accept any interference received, including interference that may cause undesired operation.

CROOVE

MANUFACTURED FOR CROOVE®
 AUSTIN, TX 78704
 WWW.CROOVE.COM
 MADE IN CHINA
 © 2022 CROOVE

EU AUTH. REP.: RAZOR GROUP ACQUISITION XIII GMBH
 EU AUTH. REP. ADDRESS: PRINZESSINENSTR. 20, 10969 BERLIN
 US PHONE: (302) 543-2862
 EMAIL: BULK@RAZOR-GROUP

UK AUTH. REP.: RAZOR GROUP PROCUREMENT LTD
 UK AUTH. REP. ADDRESS: 100 AVEBURY BOULEVARD, MILTON KEYNES, ENGLAND, MK9 1FH
 US PHONE: (302) 543-2862
 EMAIL: BULK@RAZOR-GROUP

NOTE: This equipment has been tested and found to comply with the limits for a Class B digital device, pursuant to part 15 of the FCC Rules. These limits are designed to provide reasonable protection against harmful interference in a residential installation. This equipment generates uses and can radiate radio frequency energy and, if not installed and used in accordance with the instructions, may cause harmful interference to radio communications. However, there is no guarantee that interference will not occur in a particular installation. If this equipment does cause harmful interference to radio or television reception, which can be determined by turning the equipment off and on, the user is encouraged to try to correct the interference by one or more of the following measures:
 - Reorient or relocate the receiving antenna.
 - Increase the separation between the equipment and receiver.
 - Connect the equipment into an outlet on a circuit different from that to which the receiver is connected.
 - Consult the dealer or an experienced radio/TV technician for help.
 Changes or modifications not expressly approved by the party responsible for compliance could void the user's authority to operate the equipment.

This device contains licence-exempt transmitter(s)/receiver(s) that comply with Innovation, Science and Economic Development Canada's licence-exempt RSS(s). Operation is subject to the following two conditions:
 (1) This device may not cause interference.
 (2) This device must accept any interference, including interference that may cause undesired operation of the device.
 L'émetteur/récepteur exempt de licence contenu dans le présent appareil est conforme aux CNR d'Innovation, Sciences et Développement économique Canada applicables aux appareils radio exempts de licence. L'exploitation est autorisée aux deux conditions suivantes:
 (1) L'appareil ne doit pas produire de brouillage;
 (2) L'appareil doit accepter tout brouillage radioélectrique subi, même si le brouillage est susceptible d'en compromettre le fonctionnement.

