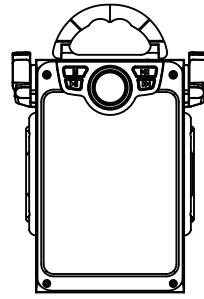
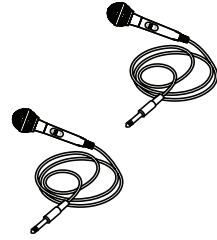


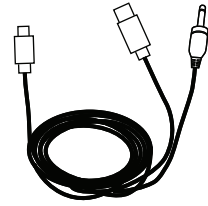
1 Check the Contents



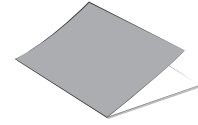
Bluetooth Speaker



Dynamic Microphone x 2

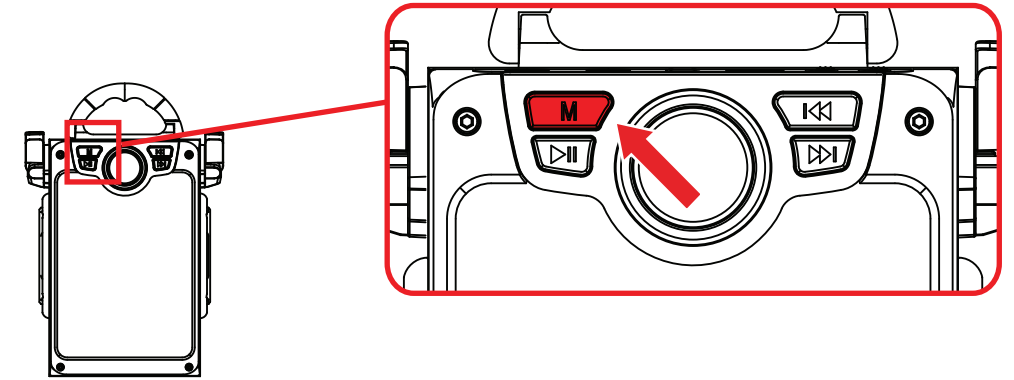


USB Power Supply Cable / Line-in Cord

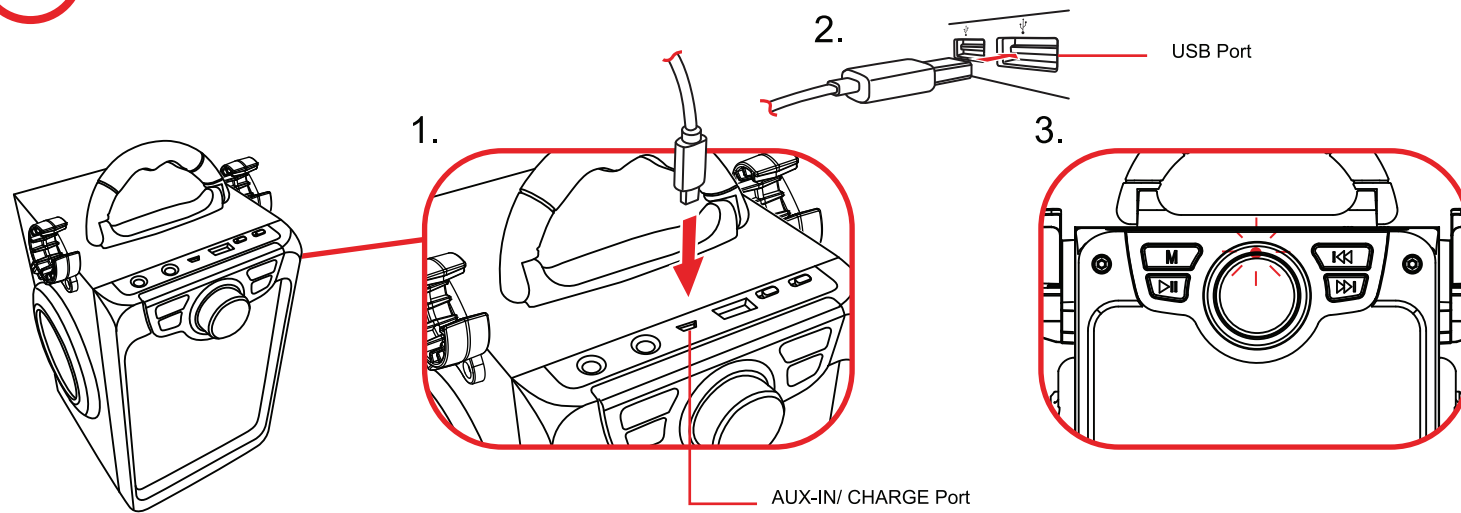


Instruction Manual

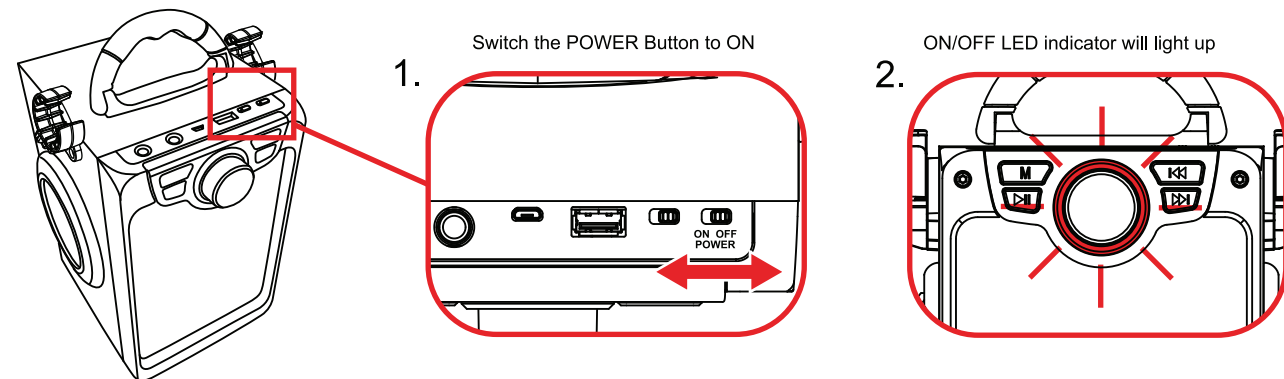
4 FUNCTION Switch



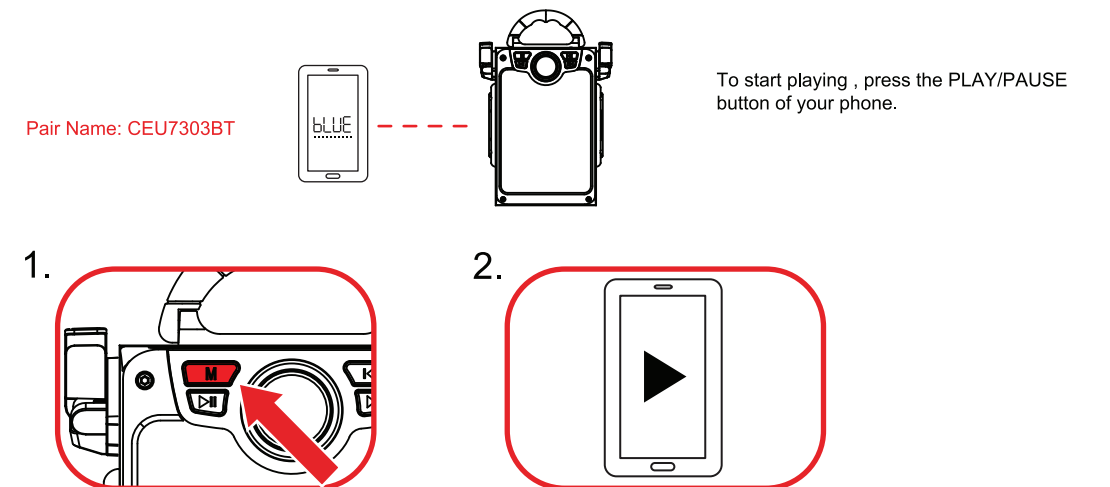
2 USB Charging



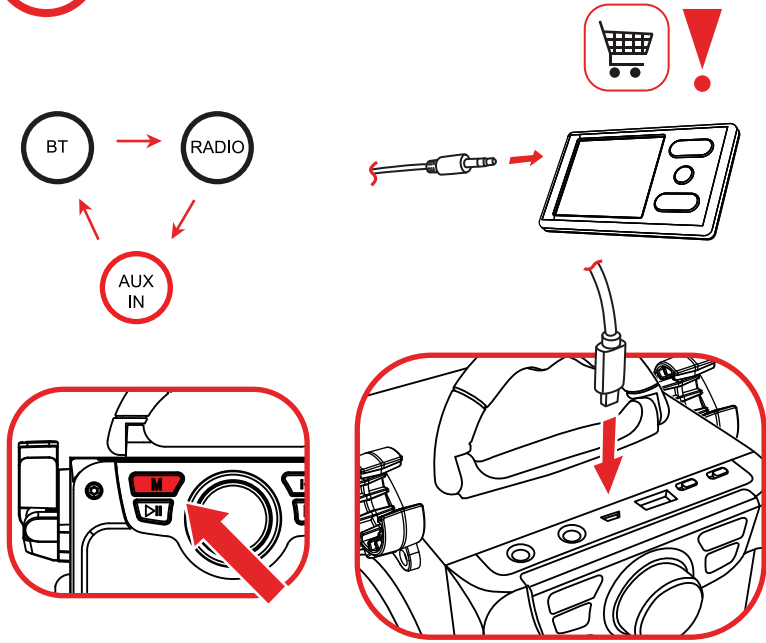
3 Turn ON the Power



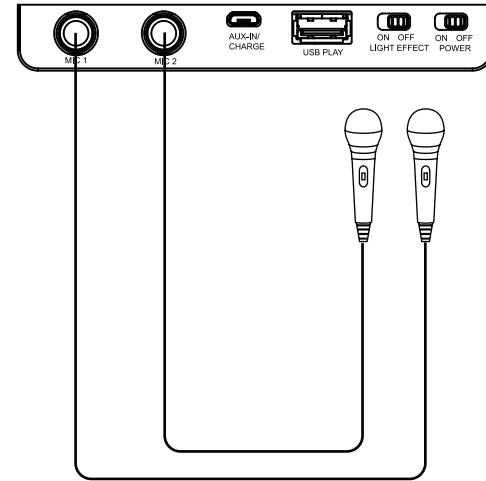
6 Bluetooth Connection



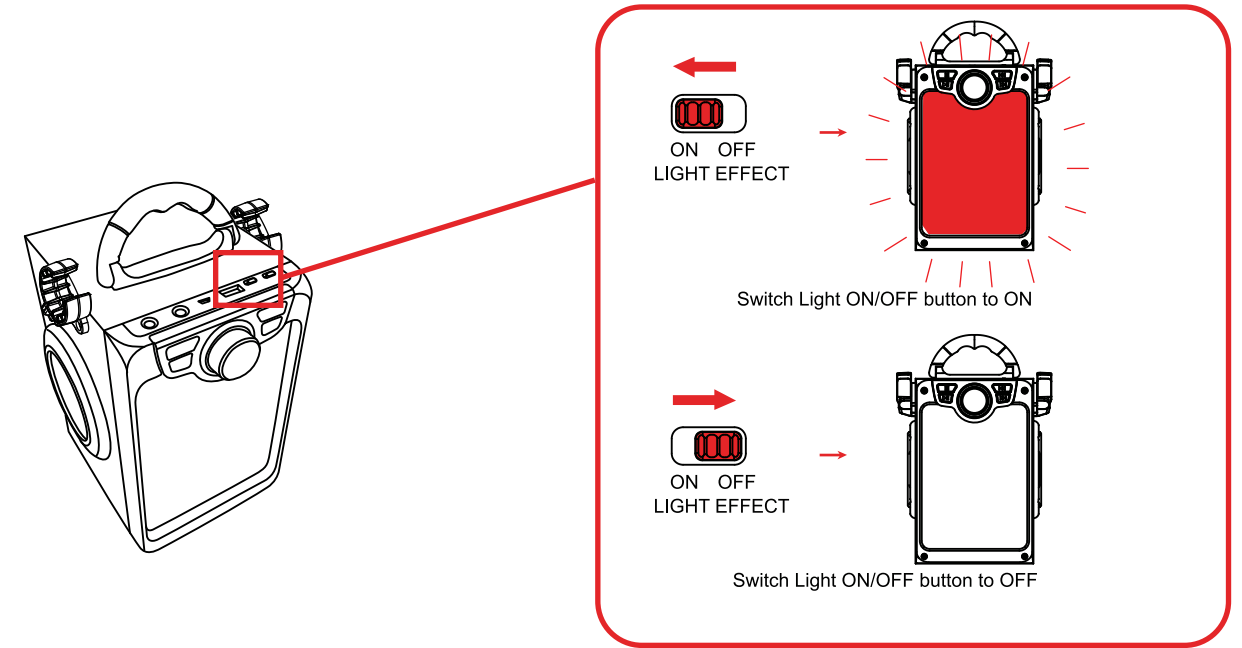
7 Line-in Connection



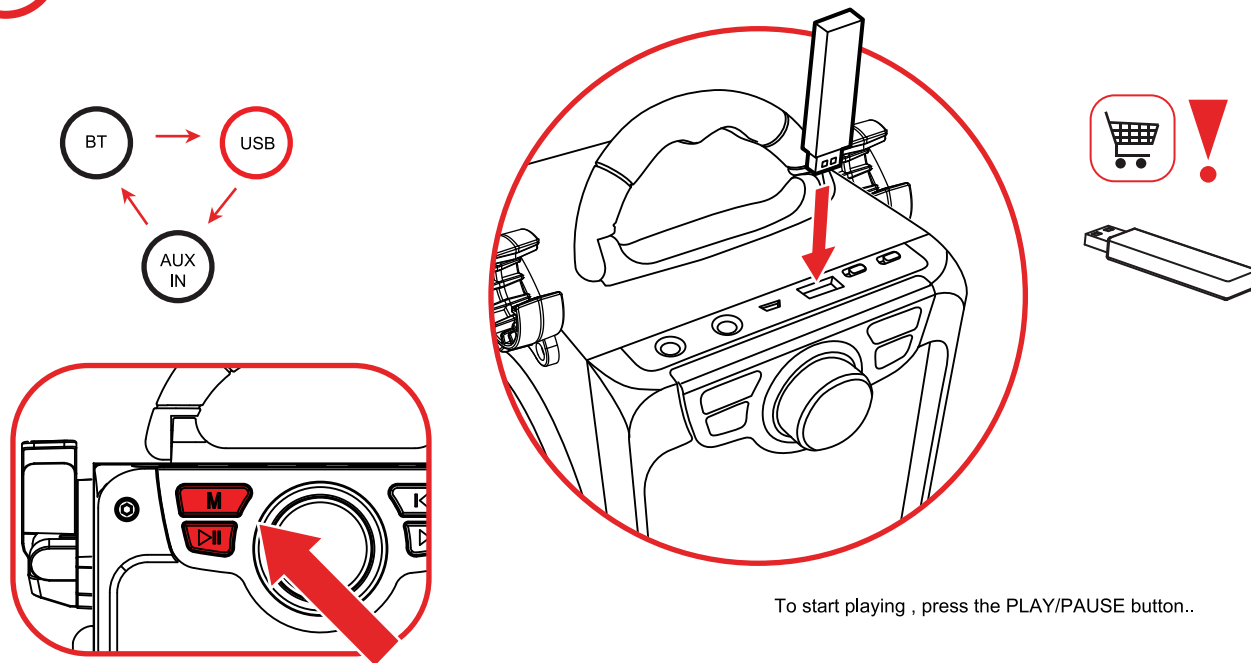
8 Setting up Your Microphone



10 LIGHT ON/OFF Button



9 USB Connection



To start playing , press the PLAY/PAUSE button..

SPECIFICATIONS

GENERAL

Power Supply:
DC IN 5V, 0.5A or USB Power

Power Output
2 X 3W (RMS)

Speaker Impedance:
4 Ohms

Auxiliary Input: USB

Dimensions (W x H x D):
Approx. (W) 163 x (H) 255 x (D) 183 mm/
Approx. (W) 6.5" x (H) 10.1" x (D) 7.3"

Net Weight:
3.6 lb/ 1.6 kg

USB SECTION

USB 2.0 compatible port for MP3 file playback

FCC ID:2AE67-27052706

WARNINGS:

WARNING: TO REDUCE THE RISK OF FIRE OR SHOCK HAZARD, DO NOT EXPOSE THIS PRODUCT TO RAIN OR MOISTURE.

	CAUTION RISK OF ELECTRIC SHOCK DO NOT OPEN
CAUTION: TO PREVENT THE RISK OF ELECTRIC SHOCK, DO NOT REMOVE COVER OR BACK. NO USER-SERVICEABLE PARTS INSIDE. REFER SERVICING TO QUALIFIED PERSONNEL.	

This symbol is intended to alert you to the presence of uninsulated dangerous voltage within the product's enclosure that might be of sufficient magnitude to constitute a risk of electric shock. Do not open the product's case.



This symbol is intended to inform you that important operating and maintenance instructions are included in the literature accompanying this product.

DRIPPING WARNING

The product shall not be exposed to dripping or splashing and that no objects filled with liquids, such as vases, shall be placed on the product.

VENTILATION WARNING

The normal ventilation of the product shall not be impeded for intended use.

Class II equipment symbol 
This symbol indicates that the power adaptor has a double insulation system.

This device complies with Part 15 of the FCC Rules. Operation is subject to the following two conditions:
(1) this device may not cause harmful interference, and (2) this device must accept any interference received, including interference that may cause undesired operation.

Warning: Changes or modifications to this unit not expressly approved by the party responsible for compliance could void the user's authority to operate the equipment.

Caution: Any changes or modifications to this device not explicitly approved by manufacturer could void your authority to operate this equipment.

FCC RADIATION EXPOSURE STATEMENT

The device has been evaluated to meet general RF exposure requirement. This equipment complies with FCC radiation exposure limits set forth for an uncontrolled environment. The antenna(s) used for this transmitter must be installed and operated to provide a separation distance of at least 20 cm from all persons and must not be collocated or operating in conjunction with any other antenna or transmitter. Installer must ensure that 20 cm separation distance will be maintained between the device and user.

FCC AND CANADIAN ICES

NOTE: This equipment has been tested and found to comply with the limits for a Class B digital device, pursuant to part 15 of the FCC Rules. These limits are designed to provide reasonable protection against harmful interference in a residential installation. This equipment generates, uses and can radiate radio frequency energy and, if not installed and used in accordance with the instructions, may cause harmful interference to radio communications. However, there is no guarantee that interference will not occur in a particular installation. If this equipment does cause harmful interference to radio or television reception, which can be determined by turning the equipment off and on, the user is encouraged to try to correct the interference by one or more of the following measures:

- Reorient or relocate the receiving antenna.
- Increase the separation between the equipment and receiver.
- Connect the equipment into an outlet on a circuit different from that to which the receiver is connected.
- Consult the dealer or an experienced radio/ TV technician for help.

IMPORTANT SAFETY INSTRUCTIONS

1. Read these Instructions.
2. Keep these Instructions.
3. Heed all Warnings.
4. Follow all instructions.
5. Do not use this apparatus near water.
6. Clean only with a dry cloth.
7. Do not block any of the ventilation openings. Install in accordance with the manufacturers instructions.
8. Do not install near any heat sources such as radiators, heat registers, stoves, or other apparatus (including amplifiers) that produce heat.
9. Do not defeat the safety purpose of the polarized or grounding --type plug. A polarized plug has two blades with one wider than the other. A grounding type plug has two blades and a third grounding prong. The wide blade or the third prong are provided for your safety. When the provided plug does not fit into your outlet, consult an electrician for replacement of the obsolete outlet.

10. Protect the power cord from being walked on or pinched particularly at plugs, convenience receptacles, and the point where they exit from the apparatus.
11. Only use attachments/accessories specified by the manufacturer.
12. Use only with a cart, stand, tripod, bracket, or table specified by the manufacturer, or sold with the apparatus. When a cart is used, use caution when moving the cart/apparatus combination to avoid injury from tip-over.






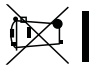

Portable Cart Warning

13. Unplug this apparatus during lightning storms or when unused for long periods of time.
14. Refer all servicing to qualified service personnel. Servicing is required when the apparatus has been damaged in any way, such as power-supply cord or plug is damaged, liquid has been spilled or objects have fallen into the apparatus, the apparatus has been exposed to rain or moisture, does not operate normally, or has been dropped.

WARNINGS:

- 1) To reduce the risk of fire or electric shock, do not expose this apparatus to rain or moisture.
- 2) The apparatus shall not be exposed to dripping or splashing and that no objects filled with liquids, such as vases, shall be placed on apparatus.
- 3) The MAINS plug / power adaptor is used as operable during intended use.
- In order to disconnect the apparatus from the mains completely, the main plug / power adaptor should be disconnected from the mains socket outlet completely.
- 4) Battery shall not be exposed to excessive heat such as sunshine, fire or the like.
- 5) Caution Marking and rating plate was located at bottom enclosure of the apparatus.
- 6) Under the environment with electrostatic discharge the sample may malfunction and need user reset to recover sometimes.
- 7) CAUTION! ELECTRICALLY OPERATED PRODUCT - Not suitable for children under 3 years of age. As with all electric products, precautions should be observed during handling and use to prevent electrical shock.
- 8) Recommendation to the parents that the adaptor be periodically examined for conditions that may result in the risk of fire, electric shock or injury to persons and that, in an event such conditions, the adaptor should not be used until properly repaired.
- 9) This equipment should be installed and operated with a minimum distance of 20 centimeters between the radiator and your body.

MARKINGS:

	DC voltage
	AC voltage
	Caution Please refer for further information to the user manual
	RECYCLING This product bears the selective sorting symbol for Waste electrical and electronic equipment (WEEE). This means that this product must be handled pursuant to European directive 2012/19/EU in order to be recycled or dismantled to minimize its impact on the environment. User has the choice to give his product to a competent recycling organization or to the retailer when he buys an new electrical or electronic equipment.
	Polarity of d.c. power connector