

## 01 Battery

- Before use, read all safety warnings.
- Only use this product for the purpose described in this manual.
- Always inspect the product for damage. Discontinue use if the product is damaged in any way.
- Do not disassemble this product. It contains no user serviceable components.
- **WARNING: Strangulation Hazard - long cord**
- Not suitable for children under 3 years due to small parts - choking hazard.
- Remove all packaging before giving to child.
- Please keep packaging for future reference.
- Adult supervision is recommended.
- Do not mix old and new batteries.
- Do not mix alkaline, standard (carbon-zinc), or rechargeable batteries.
- Alkaline batteries are recommended. Use only the specified voltage.
- Insert batteries using the correct polarity. Always use, replace, and recharge (if applicable) batteries under adult supervision.
- Do not charge with non-rechargeable batteries.
- Do not short-circuit the battery supply terminals.
- Do not dispose of batteries in a fire. Batteries may explode or leak.
- Remove batteries before storing.
- Recycle or dispose of batteries according to federal, state, and local laws.

### FCC STATEMENT

1. This device complies with Part 15 of the FCC Rules. Operation is subject to the following two conditions:  
 (1) This device may not cause harmful interference, and  
 (2) This device must accept any interference received, including interference that may cause undesired operation.

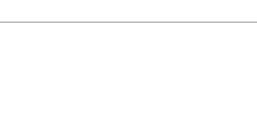
2. Changes or modifications not expressly approved by the party responsible for compliance could void the user's authority to operate the equipment.  
 This equipment has been tested and found to comply with the limits for a Class B digital device, pursuant to part 15 of the FCC Rules. These limits are designed to provide reasonable protection against harmful interference in a residential installation. This equipment generates, uses and can radiate radio frequency energy and, if not installed and used in accordance with the instructions, may cause harmful interference to radio communications. However, there is no guarantee that interference will not occur in a particular installation. If this equipment does cause harmful interference to radio or television reception, which can be determined by turning the equipment off and on, the user is encouraged to try to correct the interference by one or more of the following measures:  
 - Reorient or relocate the receiving antenna.  
 - Increase the separation between the equipment and receiver.  
 - Connect the equipment into an outlet on a circuit different from that to which the receiver is connected.  
 - Consult the dealer or an experienced radio/ TV technician for help.

### FCC Radiation Exposure Statement:

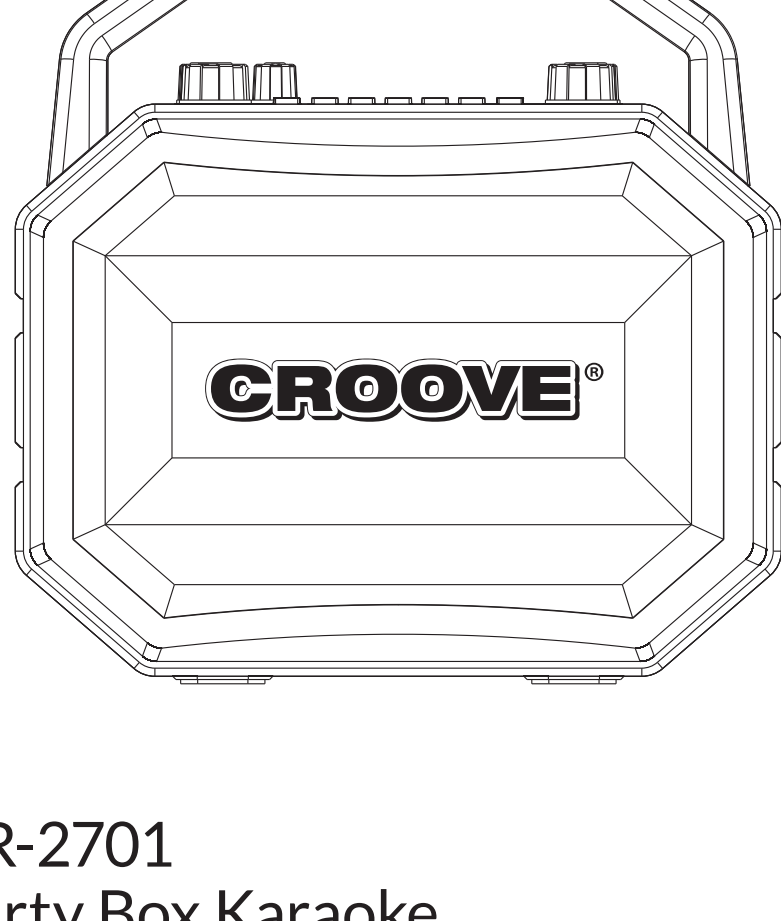
This equipment complies with FCC radiation exposure limits set forth for an uncontrolled environment. In order to avoid the possibility of exceeding the FCC radio frequency exposure limits, human proximity to the antenna shall not be less than 20cm (8 inches) during normal operation.

FCC ID: 2AE67-2701

Manufactured and Imported by: **CROOVE** BROOKLYN, NY 11205  
 www.croove.com © 2018 CROOVE



# CROOVE®



## CR-2701 Party Box Karaoke

USER MANUAL

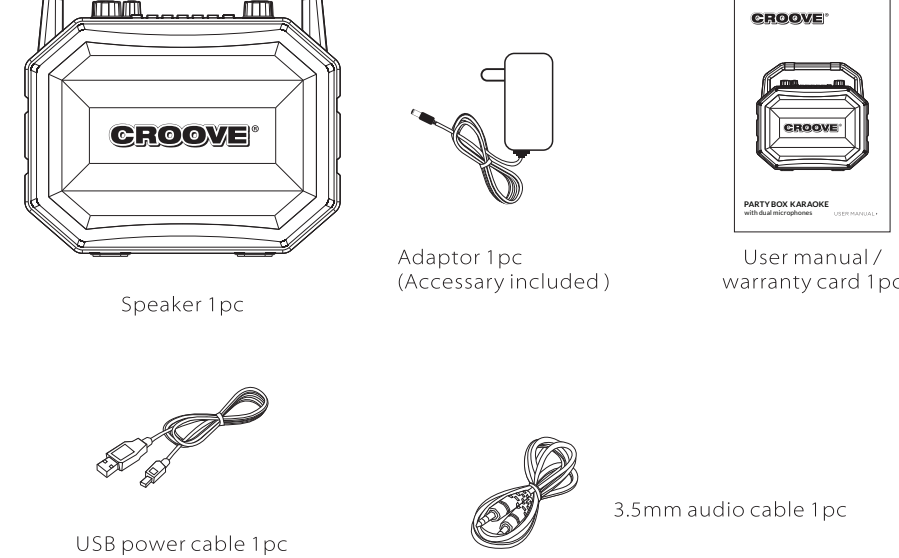
## Table of Contents

- 02 Warnings
- 03 Packing Content
- 04 Product Features
- 05 Product parameters
- 06 Keys function and interface instruction
- 07 LED screen instructions
- 08 Wireless microphone user guide
- 09 Remote control user guide
- 10 Bluetooth connection
- 11 TWS (True Wireless Stereo) connection
- 12 Two speakers wire connection function
- 13 Recording Function
- 14 Charging Battery
- 15 FAQ

## 02 Warnings

- Only use and store this product at room temperature
- Do not expose the product to liquids
- Do not attempt to dismantle or repair the product
- Unplug this product from the wall outlet before cleaning. Don't use liquid cleaners or aerosol cleaners. Clean only with a dry cloth.
- Never discard the lithium battery in a fire as there is a risk of explosion.
- Battery shall not be exposed to excessive heat such as sunshine, fire or the like.
- This product should be operated only from the type of power source indicated on the marking label. If you are not sure of the type of power supply to your home, or other sources, refer to the operating instruction.

## 03 Packing Content



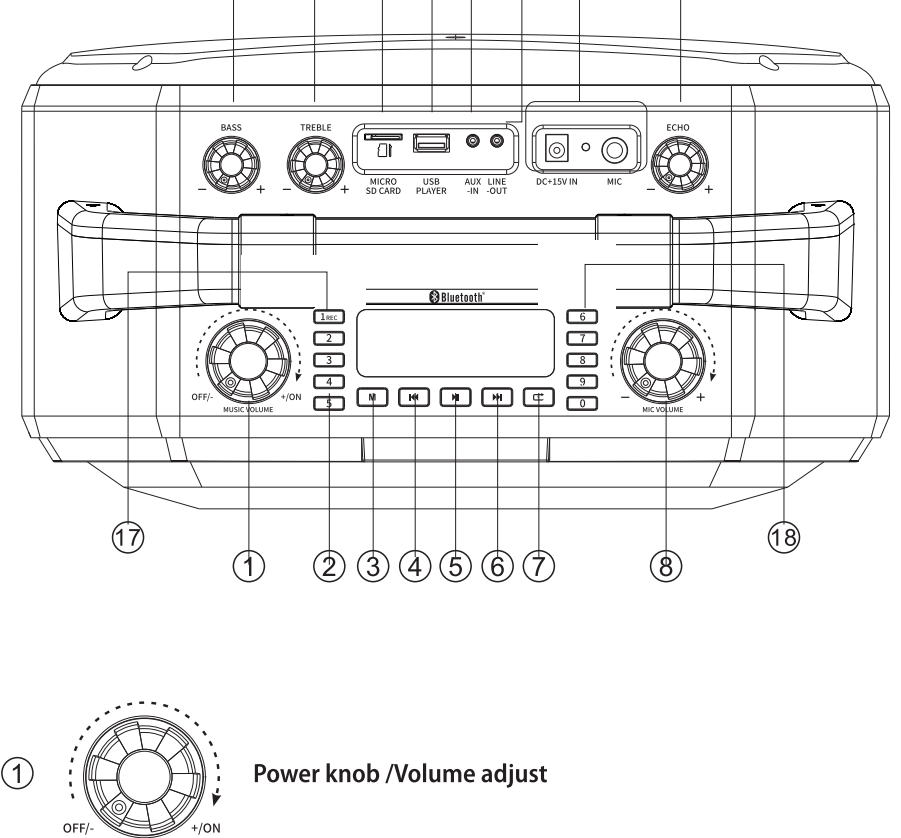
## 04 Product Features

- Support TWS (True Wireless Stereo), connect 2 speakers wirelessly.
- And support more than 2 speakers connection through wire.
- Support digital one key order, one key single loop, recording function.
- Support wired microphone input, support UHF wireless microphone and can be used as an amplifier.
- Playback from micro SD card, 3.5mm input, USB flash drive or wireless via Bluetooth.
- Built-in 11.1V/4000mAh lithium battery pack.
- LED digital tube display, showing mode and time progress.
- 30W super powerful audio output.

## 05 Product parameters

Basic parameters	
Product type	Superpower party speaker
Operation mode	Knob & Button
Storage type	Max. 32GB micro SD card/USB flash drive
Power supply	Built-in 11.1V/4000mAh lithium battery DC15V-2A adaptor
Charging time	4-5 hours with a DC15V-2A adaptor
Technique Parameters	
Loudspeaker	6.5 inch mid-bass + 2 inch treble speaker unit+ ducting design
Output power	30W
Frequency response	60Hz-20KHz
Impedance level	40
Bluetooth version	Bluetooth 4.2
Features	
Sound amplifying	Wireless/wired microphone sound amplifying supported
Bluetooth function	Support TWS (True Wireless Stereo), connect 2 speakers wirelessly. And support more than 2 speakers connection through wire.
Micro SD card/USB flash drive function	Playback from micro SD card, USB flash drive
Aux-in / Output	3.5mm input, more than 2 speakers connection through wire
File format supported	MP3, WMA, WAV, APE, FLAC
Appearance	
External slot	Micro SD card slot, microphone interface, USB flash drive slot, Aux-in/output interface
Product size	350mm*360mm*196mm
Product N.W.	4.25kg

## 06 Keys function and interface instruction



- ① **Power knob / Volume adjust**  

**Power on/off:** Clockwise rotating the knob to "ON" position to power on. Anticlockwise rotating the switch to "OFF" position to power off.

**Volume adjust:** Clockwise rotating the knob to "+" position to turn up the volume. Anticlockwise rotating the switch to "-" position to turn down the volume.

- ② **Number key**

Micro SD card / USB flash disk music playing: Press the numbers directly then it can quick-play the relevant songs.
- ③ **M Mode key**  

Short press mode key, Aux-in mode, Bluetooth mode, Micro SD card mode (A micro SD card must be inserted), USB flash drive mode (USB flash drive must be inserted) switch in order.
- ④ **Previous song**  

Short press to play the previous song, press and hold to fast back (While Micro SD card and USB flash drive playing).
- ⑤ **Play**  

Short press to play or pause.
- ⑥ **Next song**  

Short press to play the next song, press and hold to fast forward (While Micro SD card and USB flash drive playing).
- ⑦ **Loop**  

Short press " " single loop the song it plays, short press again to cancel the single loop mode while playing in micro SD card / USB flash drive mode.
- ⑧ **Micphone volume**  

Rotating the knob to adjust the micphone volume.
- ⑨ **Bass adjust**  

Rotating the bass knob to adjust the bass.
- ⑩ **Treble adjust**  

Rotating the treble knob to adjust the treble.
- ⑪ **Micro SD card slot**  

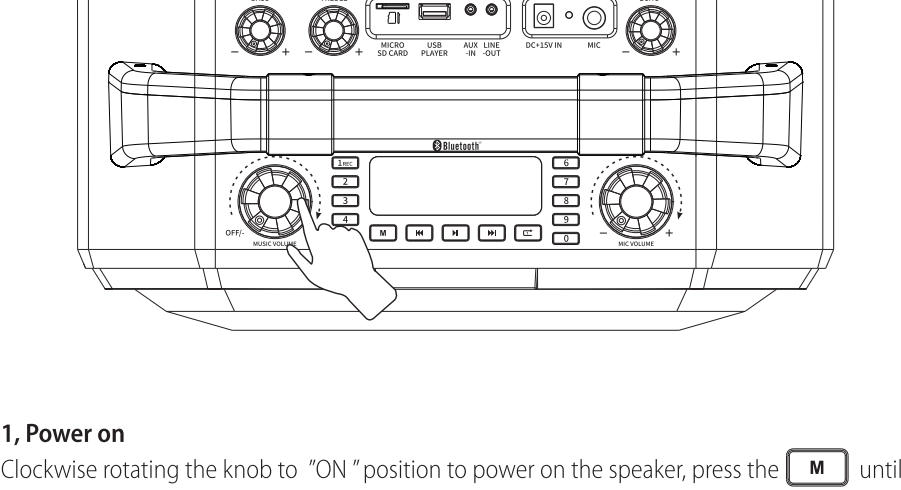
Insert the micro SD card which stored MP3, WMA, WAV, APE, FLAC audio files.

- ⑫ **USB flash drive slot**: Insert the USB flash drive which stored MP3, WMA, WAV, APE, FLAC audio files.
- ⑬ **Aux input**: 3.5mm Aux input, can connect to computer, music player, mobile phone and other audio devices.
- ⑭ **Line out**: 3.5mm line out, can connect to other speakers through wire.
- ⑮ **Charging jack**: Charge with a DC15V-2A power adaptor.  
**LED charging indicator**: The red power LED will keep steady on during battery charging, the red power LED will die out when fully charged. The battery icon on the screen will blink when battery low.
- ⑯ **Micphone input**: Connect with a wired microphone.
- ⑰ **Echo adjust**: Adjusting the Echo to make the sound better.
- ⑱ **Press and hold to record**: A micro SD card or USB flash drive must be inserted.
- ⑲ **Press and hold to playback the recording**: A micro SD card or USB Flash drive must be inserted, otherwise it will exit.

## 07 LED screen instructions



## 10 Bluetooth connection

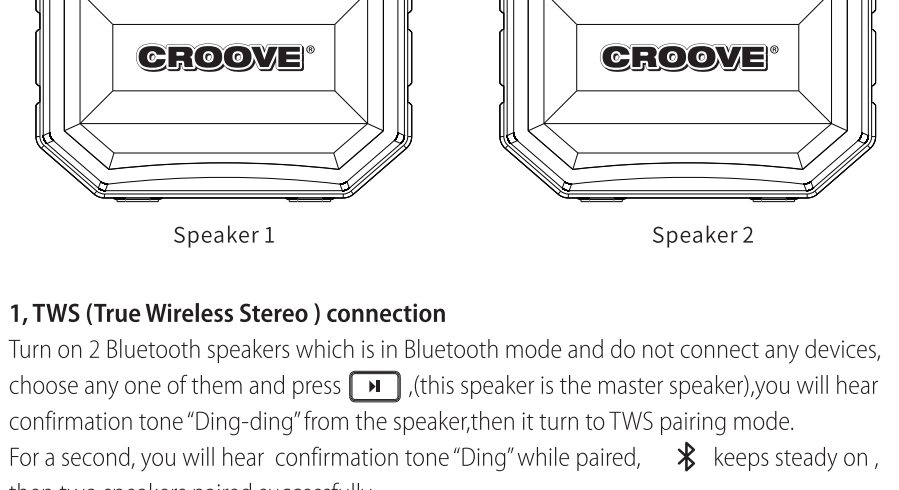


- 1. **Power on**  
 Clockwise rotating the knob to "ON" position to power on the speaker, press the until is displayed on LED screen and flashing, the Bluetooth is waiting for pairing.
- 2. **Bluetooth playing**  
 Set your Bluetooth device to search for Bluetooth devices, you will recognize the unit by its Bluetooth name "CR-2701" once selected, your Bluetooth device will indicate as "Connected", and you will hear confirmation tone from the speaker, will steady on upon completion of pairing. Then you can play audio from your Bluetooth device.

The speaker will auto-connect the Bluetooth device which last paired as long as the Bluetooth mode is on and the Bluetooth function of your device is on.

**Tips:**  
 If you want to connect with other devices, press and hold to disconnect first, and then the speaker is discoverable and ready to pair a new device. Only short press to auto-connect your last paired device.

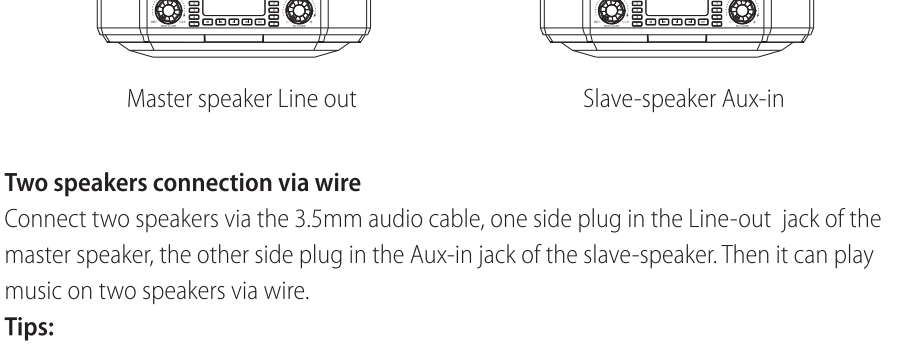
## 11 TWS (True Wireless Stereo) connection



- 1. **TWS (True Wireless Stereo) connection**  
 Turn on 2 Bluetooth speakers which is in Bluetooth mode and do not connect any devices, choose any one of them and press (this speaker is the master speaker), you will hear confirmation tone "Ding-ding" from the speaker, then turn to TWS pairing mode. For a second, you will hear confirmation tone "Ding" while paired, keeps steady on, then two speakers paired successfully.
- 2. **How to pair the 2 TWS speakers with other BT music players.**  
 Set your Bluetooth device to search for Bluetooth devices, you will recognize the unit by its Bluetooth name "CR-2701" once selected, your Bluetooth device will indicate as "Connected", and you will hear confirmation tone from the speaker, will steady on upon completion of pairing. Then you can play audio from your Bluetooth device.
- 3. **TWS disconnection**  
 Press and hold the of the master speaker to disconnect (TWS) and mobile phone connection will disconnect at the same time, short press the of the master speaker to reconnect again.

**Tips:**  
 01, True wireless stereo function only support 2 speakers  
 02, When the TWS paired successfully, you just need to control one speaker, the other one will do the same operation, except for volume adjusting.

## 12 Two speakers wire connection function



- Two speakers connection via wire**  
 Connect two speakers via the 3.5mm audio cable, one side plug in the Line-out jack of the master speaker, the other side plug in the Aux-in jack of the slave-speaker. Then it can play music on two speakers via wire.

**Tips:**  
 1, Only if the slave-speaker is in Aux-in mode then it can connect via wire.  
 2, The volume can not be controlled synchronously while two speakers in connection via wire.

## 13 Recording Function

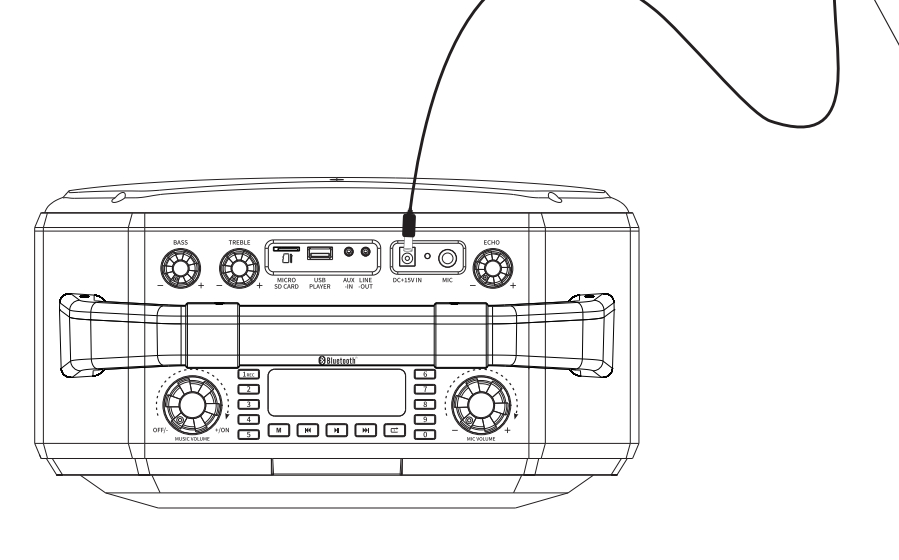
- Start to record**  
 While USB flash drive or micro SD card inserted, press and hold "1 REC", then it enters Recording mode. Short press starting to record, the recording time will be displayed on the screen. Short press again to pause the recording, short press to end the recording.

**Recording playback**  
 While USB flash drive or micro SD card which are with recording files, press and hold "6" to enter into recording playback mode and plays automatically. Short press to loop the recording, short press to end the recording.

**Tips:**  
 01, If micro SD card and USB flash drive are inserting at the same time, the recording files will auto-saved in the USB flash drive.  
 02, There will be a new folder auto-created in the micro SD card or USB flash drive naming "RECORD" while in recording and save the recording file in this folder. The name of the recording file will be regularly like REC001, REC002, ... and increase progressively.

## 14 Charging Battery

By connecting the DC15V power adaptor, the battery will start charging and the LED light turns red. The Red power LED will turn off when fully charged.



**Tips:**  
 Please do not play music while charging for battery protection.

## 15 FAQ

Problems	What to do
Music not playing, no words display on the screen	1, Check if the battery is low, plug in the AC power cord to charge and operate. 2, Check if the format of files in SD card or USB flash drive is correct (supported format is FAT32).
Aux-in mute	3, Check if the files stored in micro SD card and USB flash drive is MP3 or WMA. Check if the audio cable right connecting and the volume is turned to a reasonable level?
No sound heard while singing	Check if the microphone is turned on and the volume is turned to a reasonable level?
Amplifier quality is poor	Move the microphone nearer to the speaker.
Cannot pair to Bluetooth device	Make sure both Bluetooth device and speaker are not connected to any other Bluetooth device. Turn power knob Off and then On again, try to pair again.

**Tips:**  
 While you have two speakers with wireless microphone in hand and want to use it separately, pls make sure the distance is 100meters or above between them. In order not to cause the interference.

While in TWS mode, only one wireless microphone can be used and pls keep the distance in 10 meters between two speakers.

Only one wireless microphone and one wired microphone can be used as an amplifier at the same time on one speaker.

A wireless microphone can connect with many speakers which share the same model name.