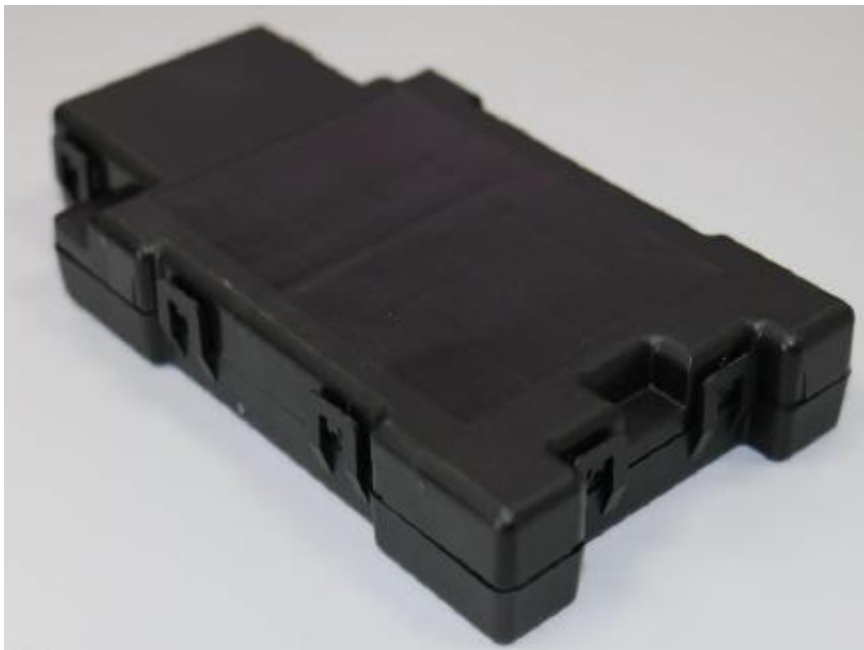




# QUICK INSTALLATION GUIDE

## HEM

DS-L460-150401-E01-21



Version 1.0



---

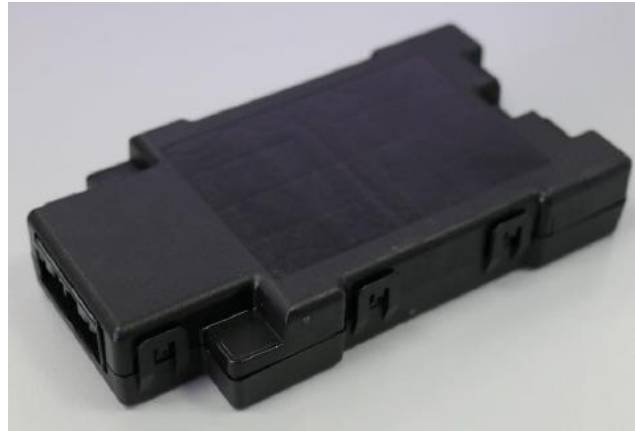
**Index**

Features..... 3  
Location..... 4  
Fixing strategy ..... 5  
Harness connection..... 6  
Regulatory Notices ..... 7

---

## INSTALLATION GUIDE – HEM

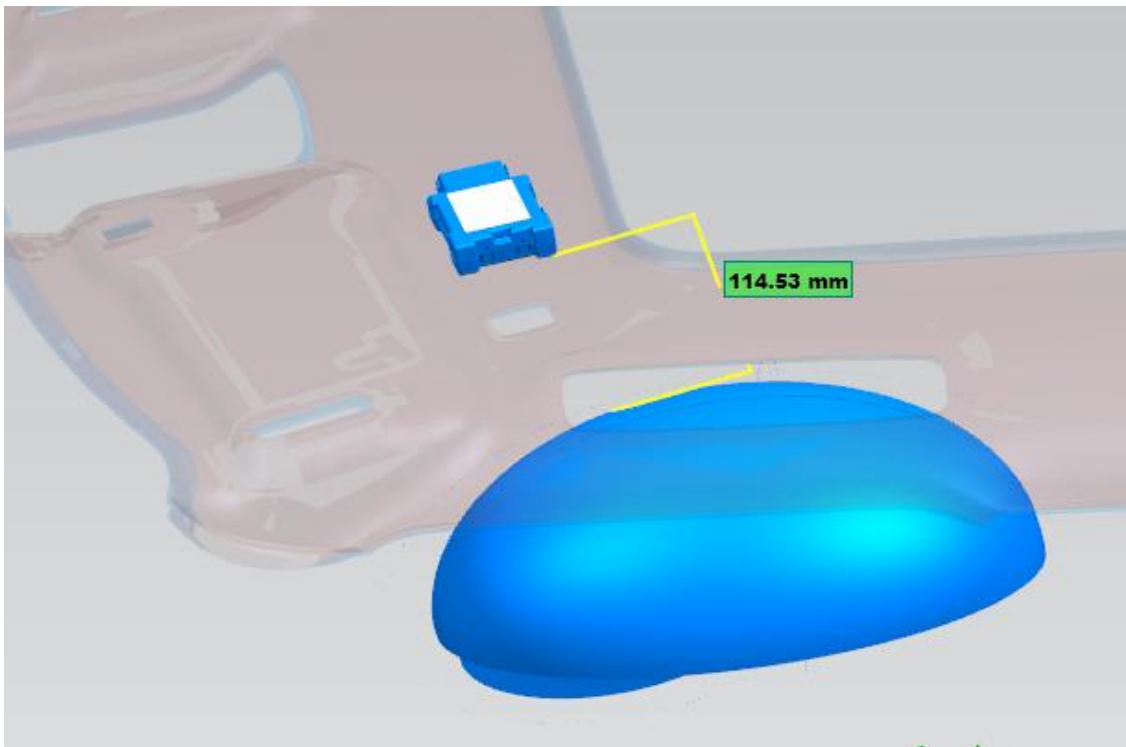
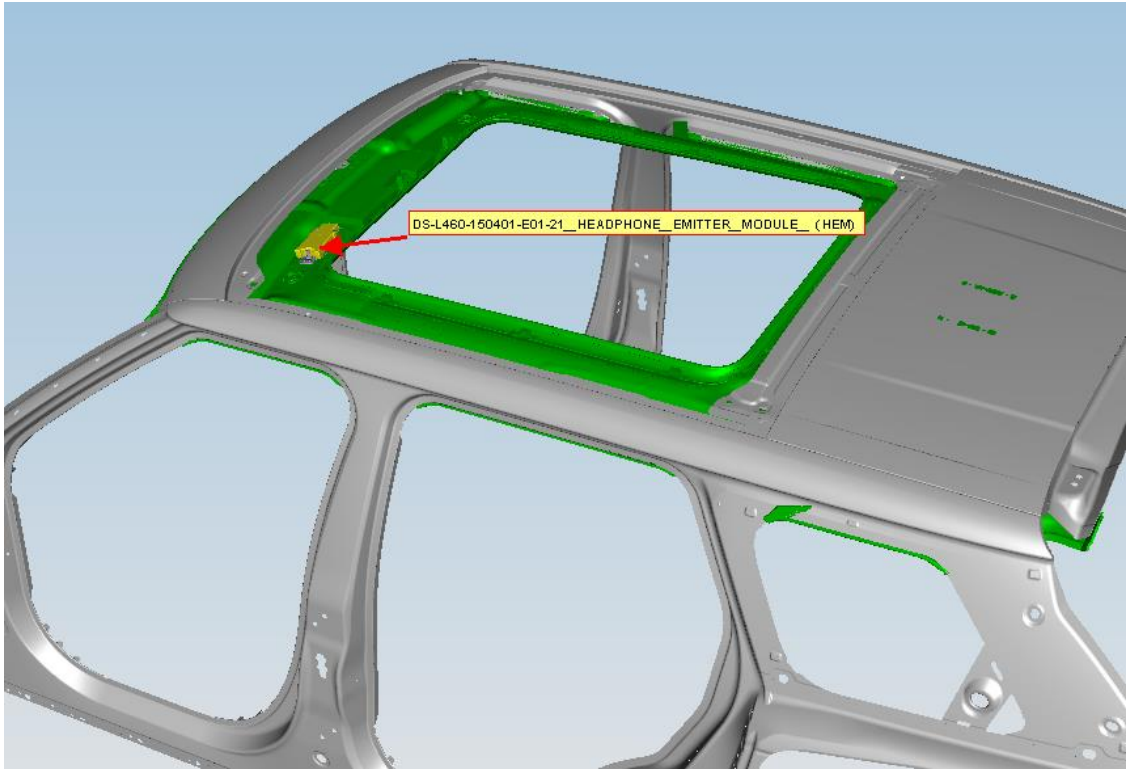
HEM is a Headphone Emitter Module that provides in-car connectivity for OEM telematic services.



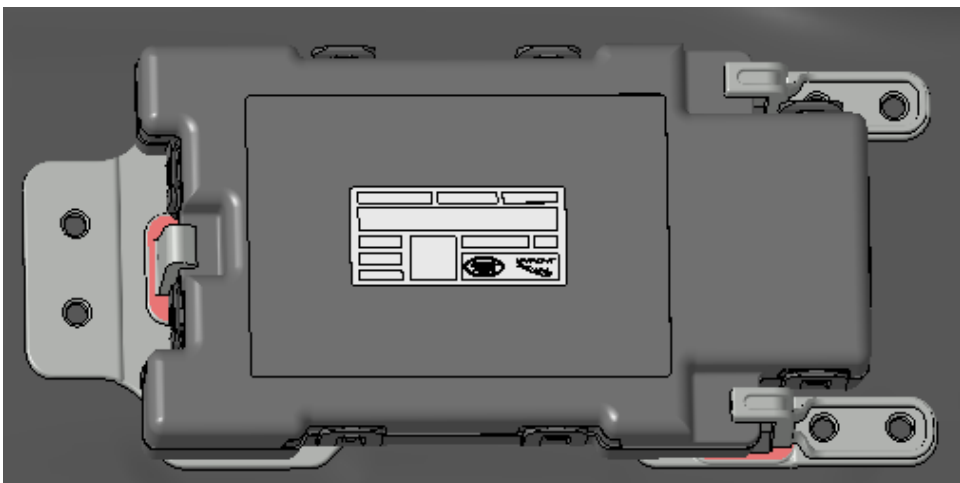
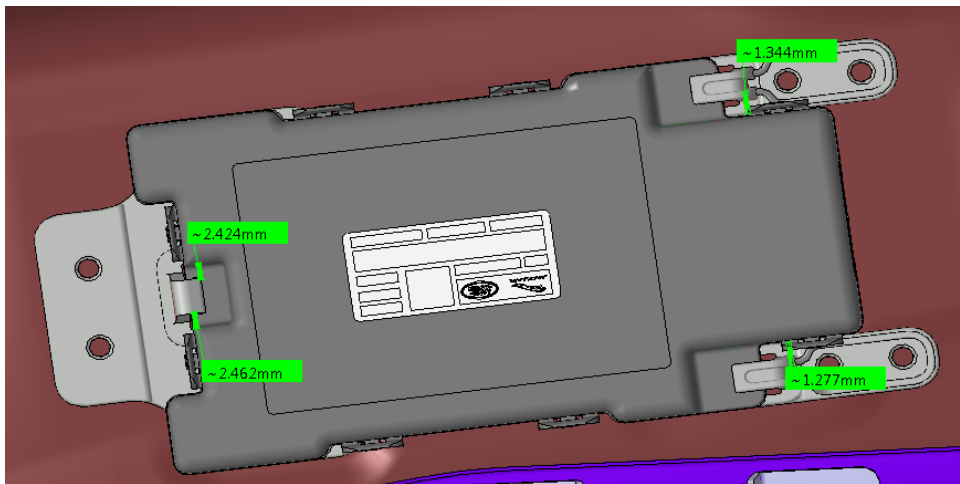
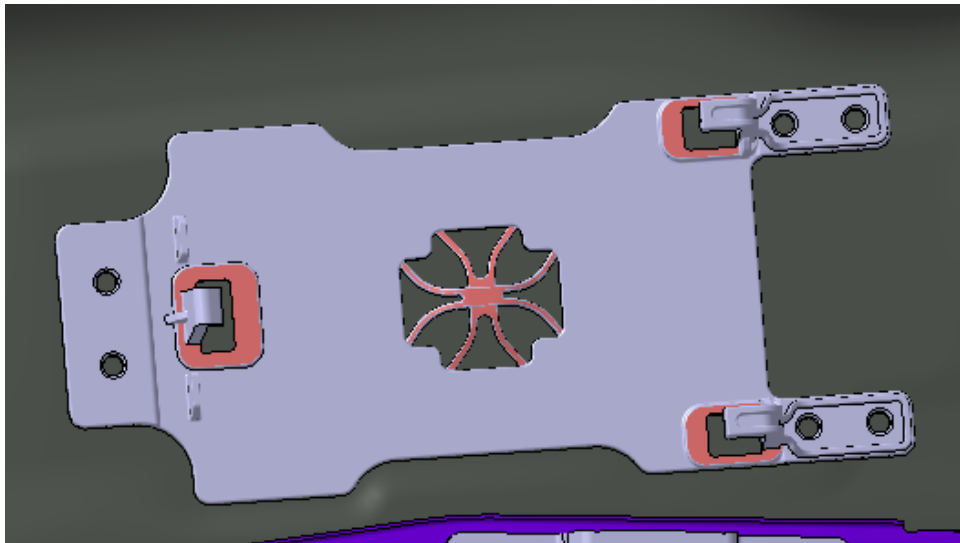
### Features:

<b>Identification of the device:</b>	Headphone Emitter Module
<b>Technology:</b>	Bluetooth
<b>Frequency band / range:</b>	2,4 GHz to 2,4835 GHz
<b>Maximum chipset/conducted output power:</b>	< 14 dBm
<b>Type of antenna:</b>	Microstrip
<b>Antenna gain:</b>	-2dBi to +4dBi (typical for BT)

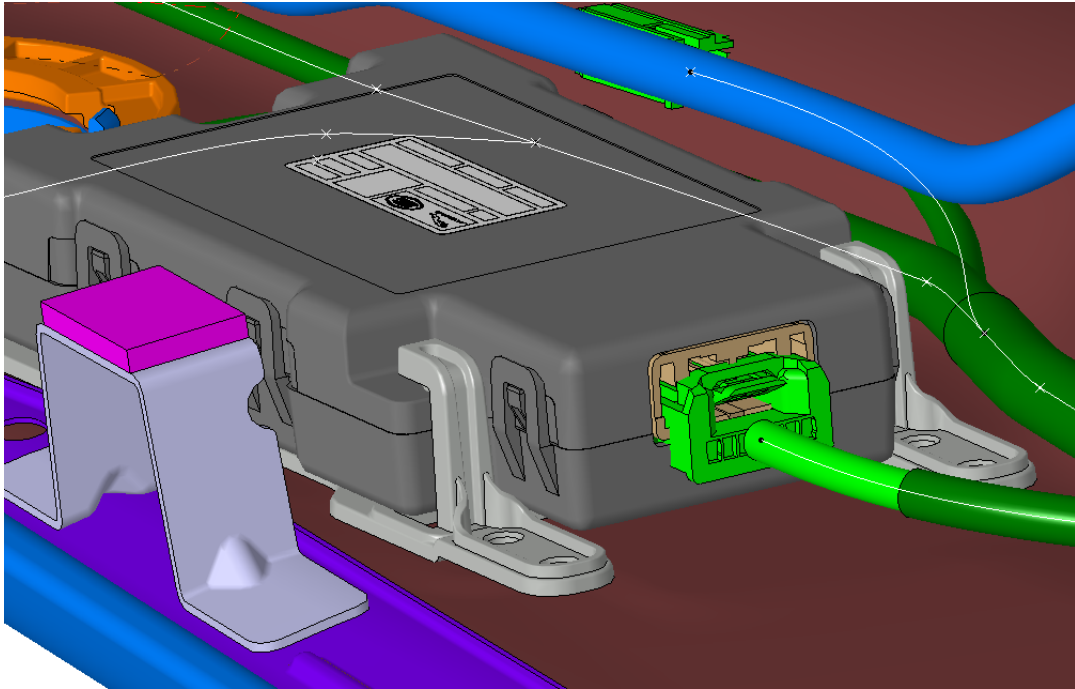
## Location



### Fixing strategy



## Harness connection



### **WARNING!**

This device can't be used by the final user at less than 11.4 cm. If so, additional testing is required.

## Regulatory Notices

### FCC/ISED Regulatory notices

#### Modification statement

Jaguar Land Rover has not approved any changes or modifications to this device by the user. Any changes or modifications could void the user's authority to operate the equipment.

*Jaguar Land Rover n'approuve aucune modification apportée à l'appareil par l'utilisateur, quelle qu'en soit la nature. Tout changement ou modification peuvent annuler le droit d'utilisation de l'appareil par l'utilisateur.*

#### Interference statement

This device complies with Part 15 of the FCC Rules and Industry Canada licence-exempt RSS standard(s). Operation is subject to the following two conditions: (1) this device may not cause interference, and (2) this device must accept any interference, including interference that may cause undesired operation of the device.

*Le présent appareil est conforme aux CNR d'Industrie Canada applicables aux appareils radio exempts de licence. L'exploitation est autorisée aux deux conditions suivantes : (1) l'appareil ne doit pas produire de brouillage, et (2) l'utilisateur de l'appareil doit accepter tout brouillage radioélectrique subi, même si le brouillage est susceptible d'en compromettre le fonctionnement.*

#### Wireless notice

This device complies with FCC/ISED radiation exposure limits set forth for an uncontrolled environment and meets the FCC radio frequency (RF) Exposure Guidelines and RSS-102 of the ISED radio frequency (RF) Exposure rules. This transmitter must not be co-located or operating in conjunction with any other antenna or transmitter.

*Le présent appareil est conforme à l'exposition aux radiations FCC / ISED définies pour un environnement non contrôlé et répond aux directives d'exposition de la fréquence de la FCC radiofréquence (RF) et RSS-102 de la fréquence radio (RF) ISED règles d'exposition. L'émetteur ne doit pas être colocalisé ni fonctionner conjointement avec à autre antenne ou autre émetteur.*

#### FCC Class B digital device notice

This equipment has been tested and found to comply with the limits for a Class B digital device, pursuant to part 15 of the FCC Rules. These limits are designed to provide reasonable protection against harmful interference in a residential installation. This equipment generates, uses and can radiate radio frequency energy and, if not installed and used in accordance with the instructions, may cause harmful interference to radio communications. However, there is no guarantee that interference will not occur in a particular installation. If this equipment does cause harmful interference to radio or television reception, which can be determined by turning the equipment off and on, the user is encouraged to try to correct the interference by one or more of the following measures:

- Reorient or relocate the receiving antenna.
- Increase the separation between the equipment and receiver.
- Connect the equipment into an outlet on a circuit different from that to which the receiver is connected.
- Consult the dealer or an experienced radio/TV technician for help.

#### CAN ICES-3 (B) / NMB-3 (B)

This Class B digital apparatus complies with Canadian ICES-003.

*Cet appareil numérique de classe B est conforme à la norme canadienne ICES-003.*