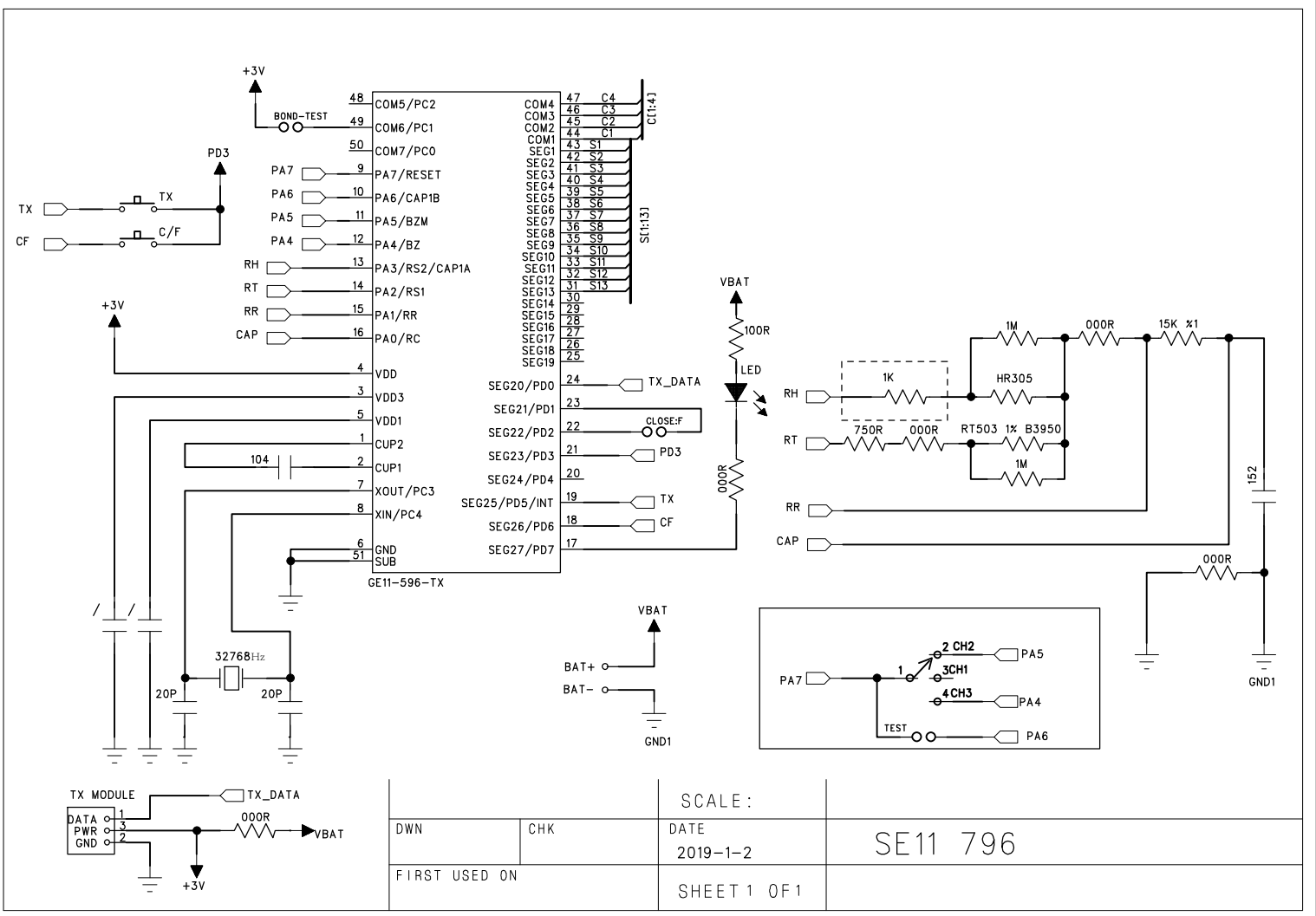


		SCALE :	
DWN	CHK	DATE	GE14-976R5 PT4455 TX
FIRST USED ON		SHEET 1 OF 1	



DWN		CHK	SCALE :	
FIRST USED ON			DATE	SE11 796
			2019-1-2	
			SHEET 1 OF 1	