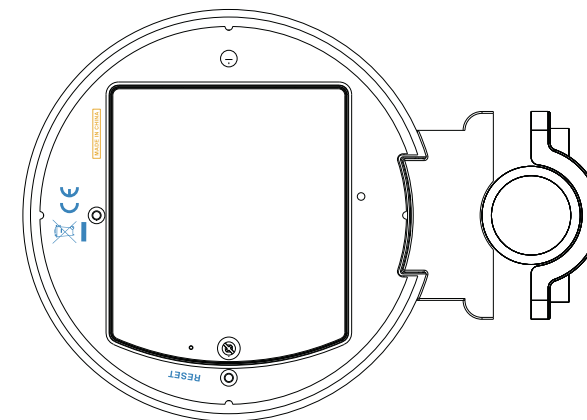
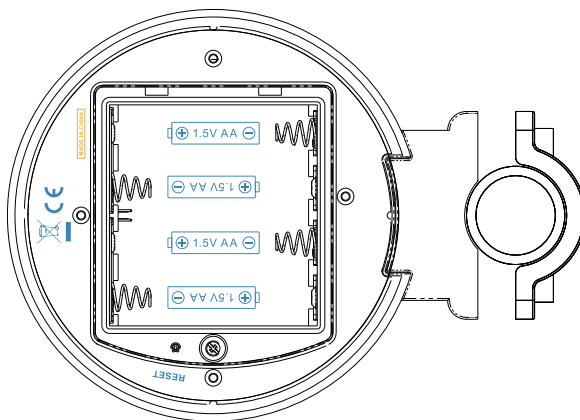
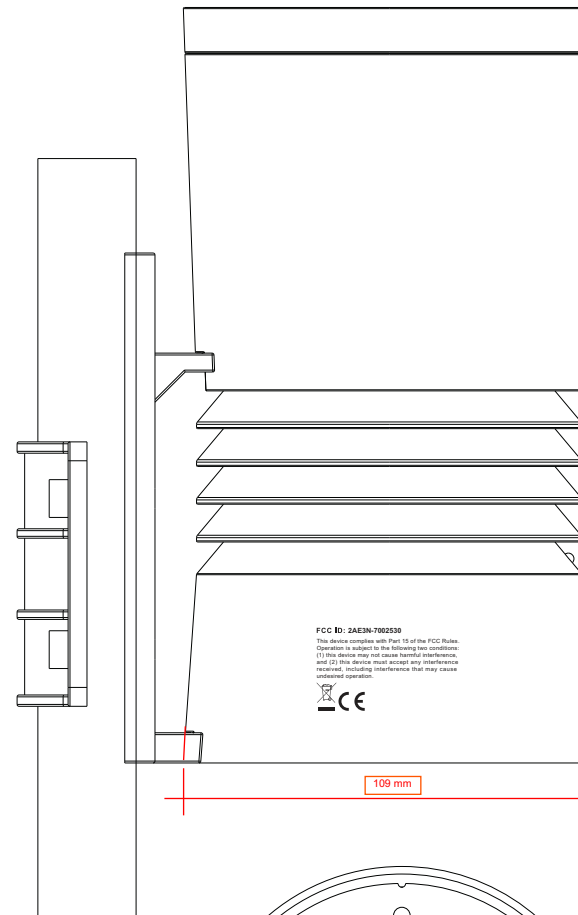


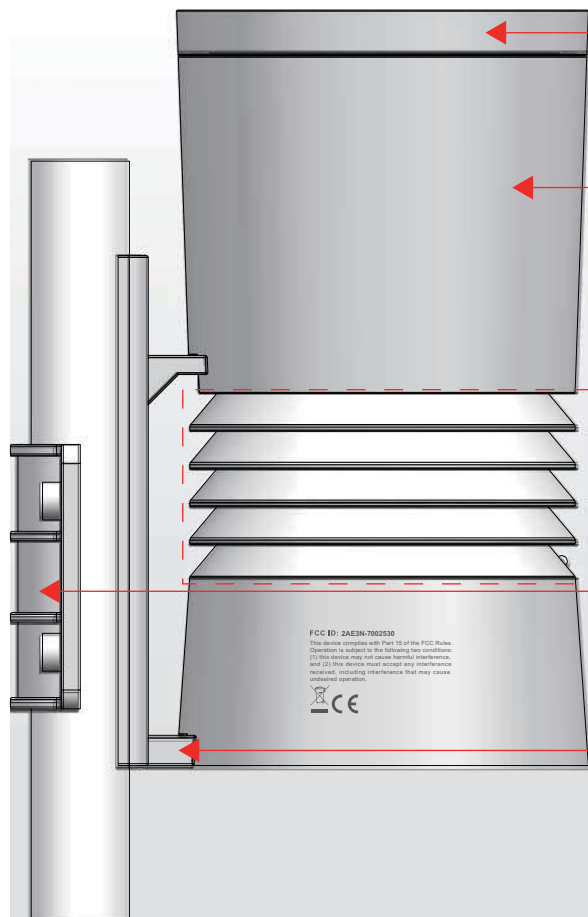
Logo Size: 36 x 6.6 mm



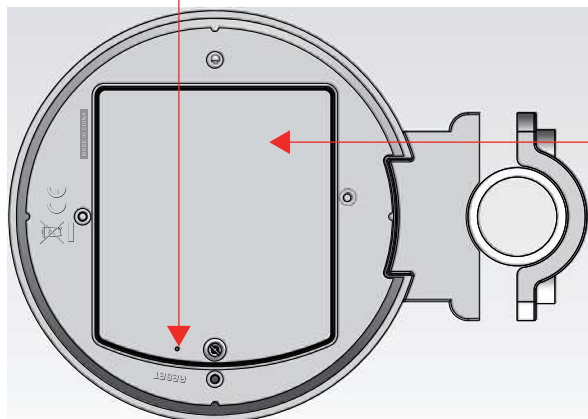
MOLD INSERT
 EMBOSS

This article is the property of CCL Electronics Ltd (CCL) and is intended to use as conceptual study, product introduction etc.
 Any unauthorized usage either in electronic or hardcopy format will be strictly prohibited. CCL reserves all rights to raise legal action to any illegal manipulation of this article.

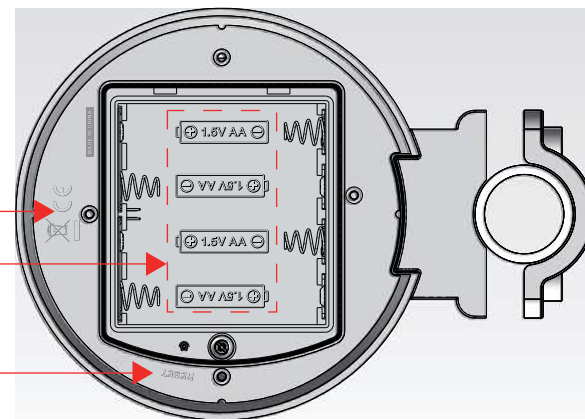
产品编号	设计编号 F01-V0	设计日期 20 / 06 / 08	RDD-008-A0
C3101B	客户 BRESSER	修改日期 00 / 00 / 00	设计 WZY
描述	菲林线图 PRODUCT SIZE : 109 X 200 X 109 mm Battery: AA X 4		比例 A2 / 1:1 Unit:mm



INJECT COL:331626(GRAY)
 SPRAY COL: NIL
 SILKSCREEN COL:LOGO-PMS425C(GRAY)
 TEXT-PMS425C(GRAY)



EMBOSS TEXT



产品编号 C3101B	设计编号 F01-V0 客 户 BRESSER	设计日期 20 / 06 / 08 修改日期 00 / 00 / 00	RDD-008-A0 设计 WZY
描述 菲林效果图			比例 A2 / 1:1 Unit: mm