



Weather Station

Professional Rain Gauge

Quickstart guide

1 Imprint

Bresser GmbH
Gutenbergstr. 2
46414 Rhede
Germany

<http://www.bresser.de>

If you wish to submit a warranty claim or service request, please refer to the “Warranty” and “Service” information in this document. Please be aware that any requests or submissions sent directly to the manufacturer cannot be processed.

Errors excepted. Subject to technical modifications.

© 2020 Bresser GmbH

All rights reserved.

Reproduction of this document, including extracts, in any form (photocopied, printed etc.) or the use and distribution of this document by electronic means (image file, website etc.) is not permitted without the prior written consent of the manufacturer.

The terms and brand names of the respective companies used in this document are protected by brand, patent or product law in Germany, the European Union and/or other countries.

2 Validity information

This documentation is valid for the products with the article numbers listed below:

7002530

Manual version: v0620

Manual description:

Quickstart_7002530_Professional-Rain-Gauge_en_BRESSER_v062020a

With any service inquiries, please state these information.

3 About this Instruction Manual



NOTICE

This Quick Start guide is not intended to replace the more detailed user manual.

Please read the safety instructions and the operating instructions carefully before use.

4 General safety instructions



DANGER

Risk of suffocation

Improper use of this product can result in suffocation. This is particularly dangerous for children. The following safety information must be observed at all times.

- Keep packaging materials (plastic bags, rubber bands etc.) away from children. They can cause suffocation.
- This product contains small parts that could be swallowed by children. There is a risk of choking!



⚠ DANGER

Risk of electric shock

This device has electronic parts operated via a power source (power supply and/or batteries). Improper use of this product can cause an electric shock. An electric shock can cause serious or potentially fatal injuries. The following safety information must be observed at all times.

- Children must only use the device under adult supervision! Only use the device as described in the manual; otherwise, you run the risk of an electric shock.



⚠ DANGER

Risk of explosion

Improper use of this product can cause an explosion. The following safety information must be observed at all times to prevent an explosion.

- Do not expose the device to high temperatures. Use only the recommended batteries. Do not short-circuit the device or batteries, or throw them into a fire! Excessive heat or improper handling could trigger a short-circuit, a fire or an explosion!



NOTICE

Risk of damage to property

Improper handling can result in damage to the device and/or to the accessories. Always observe the following safety information when using the device.

- Never disassemble the device. In the event of a fault, please contact your specialist retailer. The specialist retailer will contact the service centre and send the device for repair if necessary.
- Do not immerse the unit in water!
- Do not expose the device to impacts, vibrations, dust, constant high temperatures or excessive humidity. This can result in malfunctions, short-circuits or damage to the batteries and components.
- Use only the recommended batteries. Always replace weak or empty batteries with a new, complete set of batteries at full capacity. Do not use batteries from different brands or with different capacities. Remove the batteries from the unit if it has not been used for a long time.

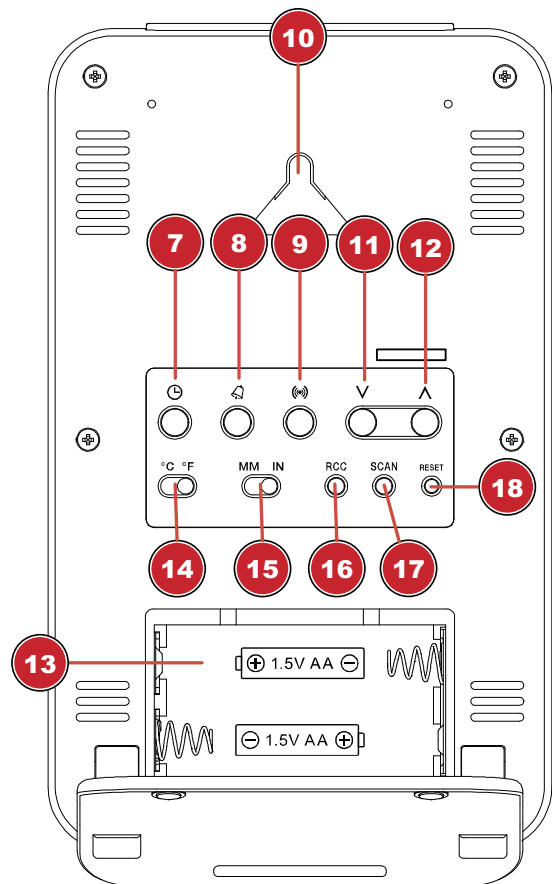
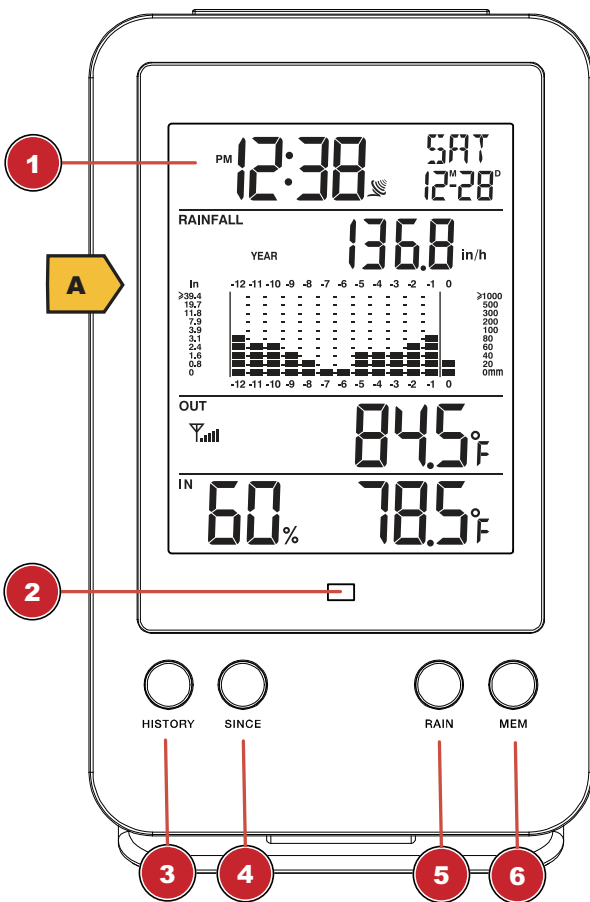
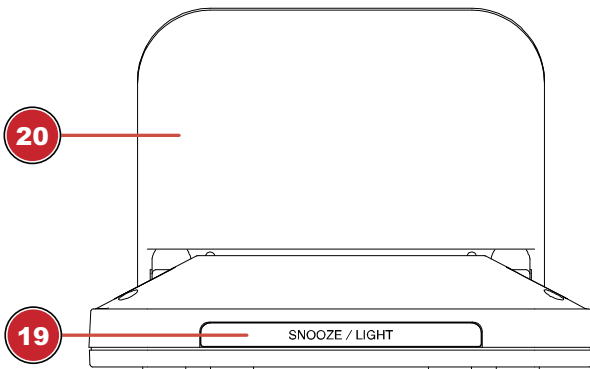


NOTICE

Risk of voltage damage!

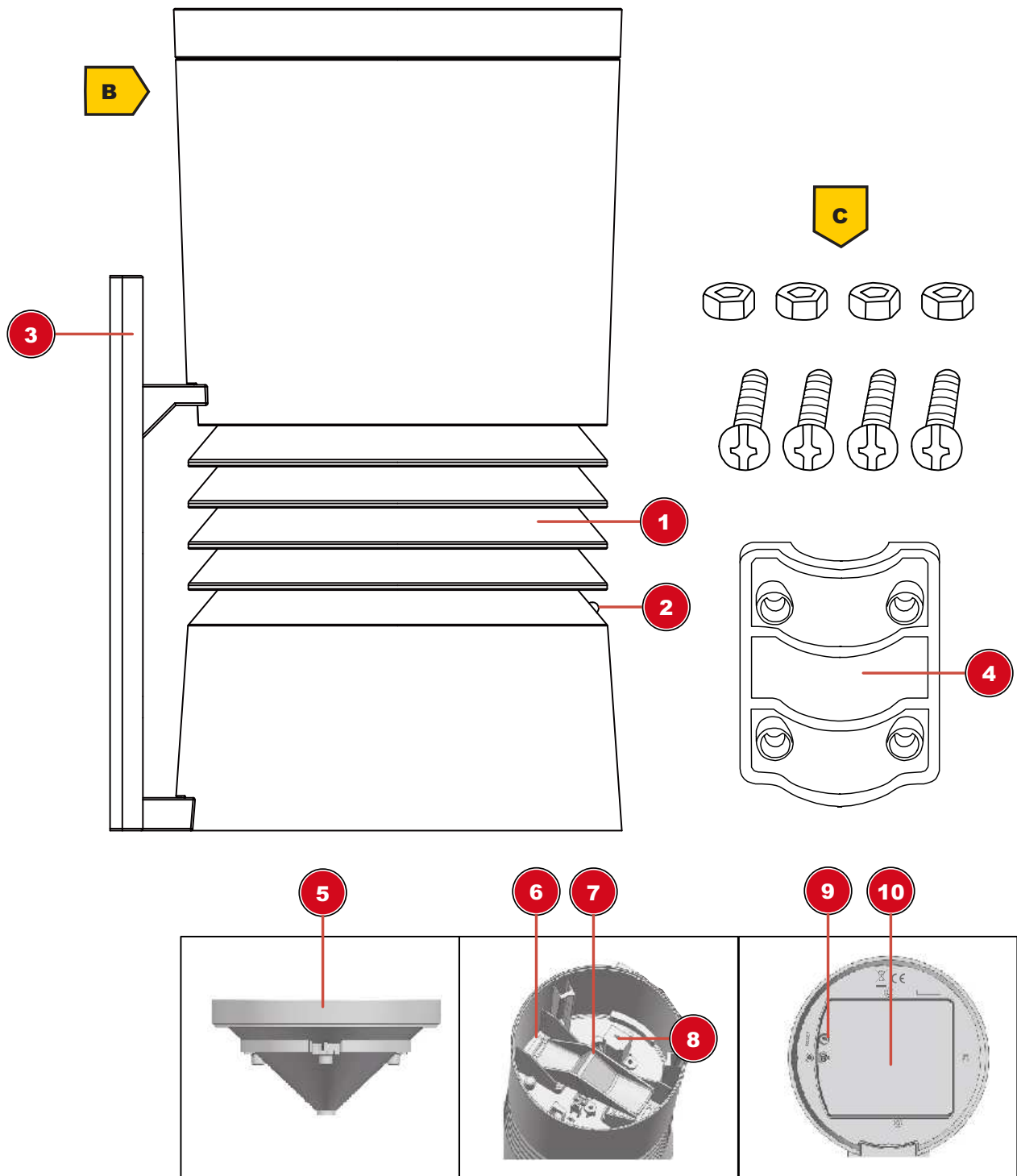
The manufacturer is not liable for damage related to improperly installed batteries!

5 Parts overview Base station



1 LCD display with backlight	2 Alert LED indicator
3 HISTORY button	4 SINCE button (Total Rainfall)
5 RAIN button (Rainfall)	6 MEM button (MAX/MIN)
7 CLOCK button	8 ALARM button
9 ALERT button	10 Wall mount
11 DOWN button	12 UP button
13 Battery compartment	14 °C/°F slide switch
15 MM/IN slide switch (mm / inch)	16 RCC button
17 SCAN button	18 RESET button
19 SNOOZE/LIGHT button	20 Table stand

6 Parts overview Rain gauge and Scope of delivery



1 Radiation shield

3 Mounting base

5 Rain collector

7 Tipping bucket

9 RESET button

2 Red LED indicator

4 Mounting clam

6 Drain holes

8 Rain sensor

10 Battery compartment

Scope of delivery

Base station (A), Wireless Rain gauge sensor (B), Mounting accessories (C)

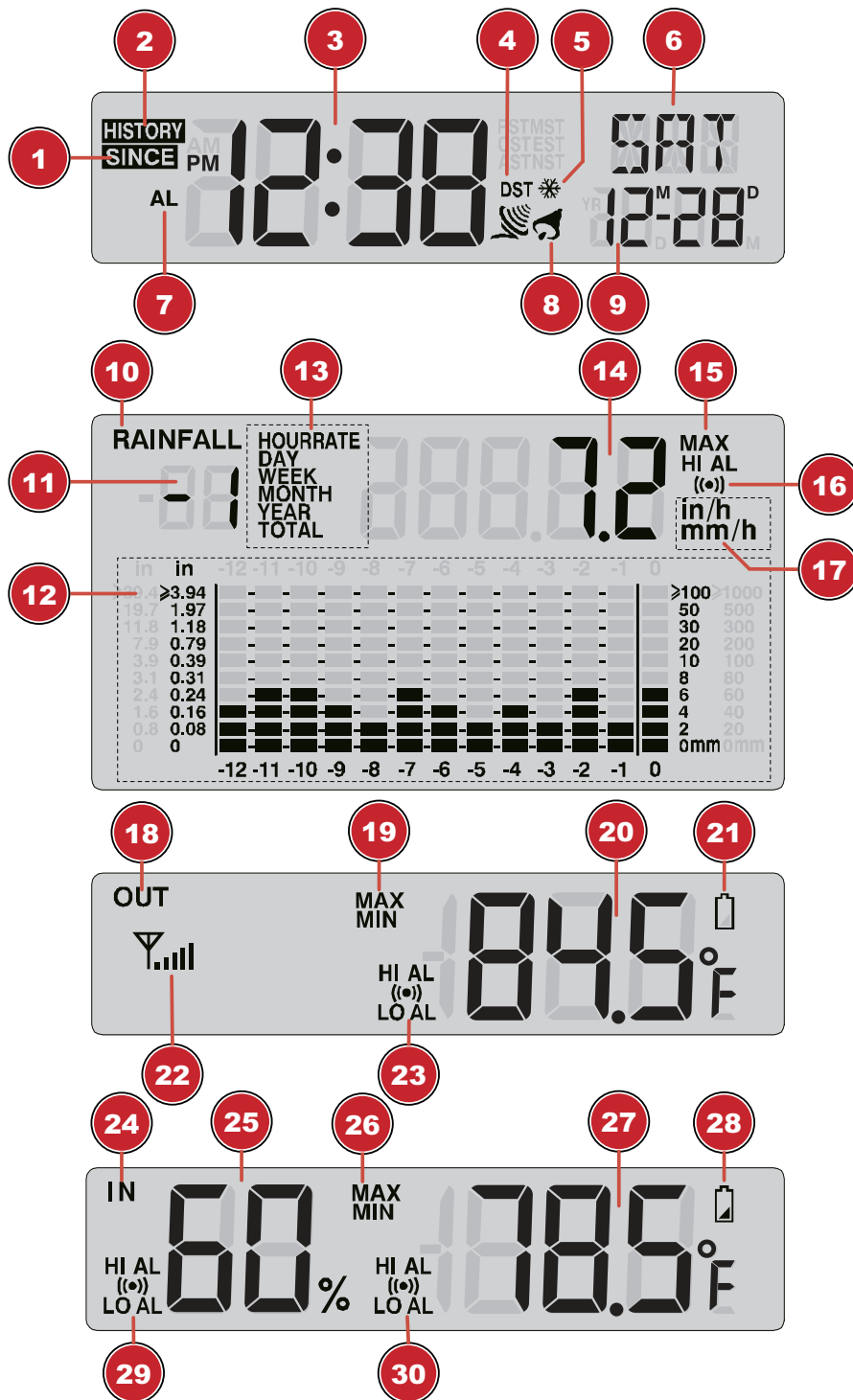
Also required (not included):

Station: 2 pcs. Micro batteries (1.5V, type AA)

Sensor 4 pcs. Micro batteries (1.5V, type AA)

Screwdriver

7 Screen display



1 SINCE icon (Total rainfall)

2 HISTORY icon (History data)

3 Time

4 Daylight saving time (DST) on

5 Ice pre-alert on

6 Weekday

7 Alarm Mode

8 Alarm on

9 Day and Month

10 Rainfall indicator

11 Past time

12 Histogram

13 Time range record indicator

14 Current Rainfall reading

15 Current Rainfall reading

16 HI AL

17 HI AL

18 HI AL

19 HI AL

20 HI AL

21 HI AL

22 HI AL

23 HI AL

24 HI AL

25 HI AL

26 HI AL

15 HI Alert	16 HI Alert on
17 Rainfall unit (in/h, mm/h)	18 Outdoor indicator
19 MAX/MIN indicator	20 Outdoor temperature
21 Battery level indicator (sensor)	22 Outdoor sensor signal strength indicator
23 HI/LO Alert and Alarm on	24 Indoor indicator
25 Indoor humidity	26 MAX/MIN indicator
27 Indoor temperature	28 Battery level indicator (base station)
29 HI/LO Alert for humidity and Alarm on	30 HI/LO Alert for temperature and Alarm on

8 Setting up power supply

Basestation

1. Remove the battery compartment cover.
2. Insert the batteries into the battery compartment. Ensure that the battery polarity (+/-) is correct.
3. Replace the battery compartment cover.
4. Wait until the indoor temperature is displayed on the base station.

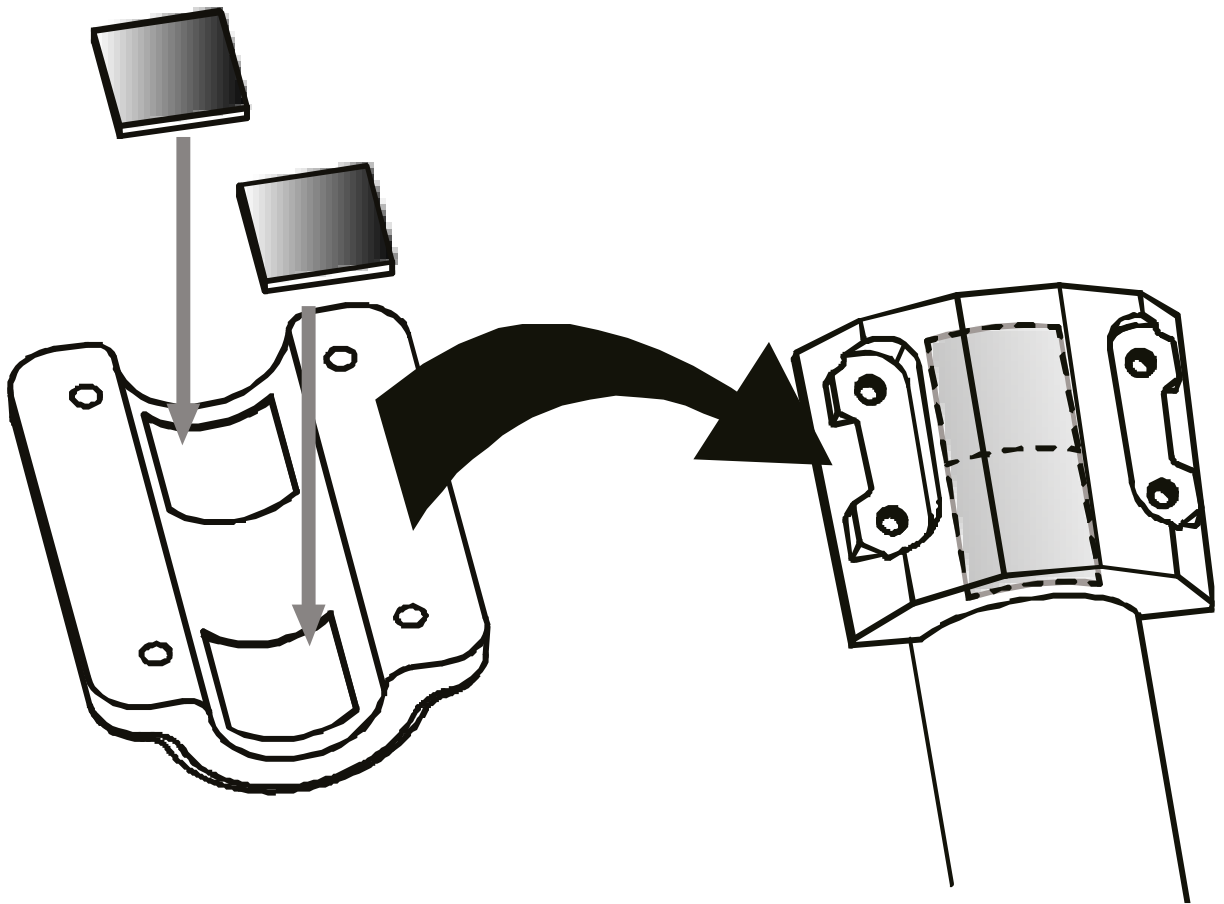
Remote sensor

5. Loosen the screws at the battery compartment cover with a small Philips screwdriver and remove the cover.
6. Insert the batteries into the battery compartment. Ensure that the battery polarity (+/-) is correct.
7. Put the sealing frame back onto the edge of the battery compartment.
8. Replace the cover and retighten it with the screw.

Battery replacement

9. Press the RESET button on the sensor after every battery change.
10. Press the SCAN button on the base station to re-establish pairing.

9 Attaching rubber pads



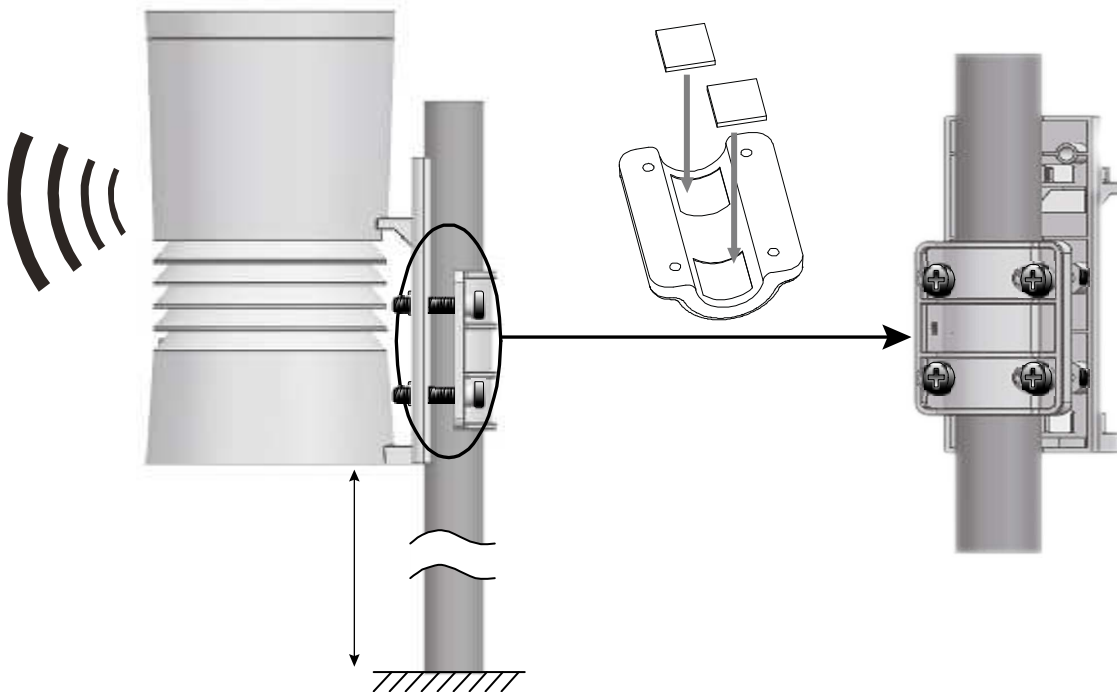
Attach the supplied self-adhesive rubber pads to the clamps as shown to ensure a firmer fitting of the mounting rod.

10 Remote sensor installation and mounting

Depending on the desired location, the remote sensor can be put on the table or mounted on the wall.

NOTICE! During the installation make sure that the device is minimum 1.5 meters off the ground.

The location should be as free as possible from obstacles to ensure an accurate measurement. The remote sensor should be installed / mounted horizontally and within 150 m of the base unit.



Installation on a vertical tube (maximal tube diameter: 26 mm)

1. Place the back of the mounting base of the remote sensor on the tube and press the mounting clamp against the tube from the other side.
2. Slide 4 screws through the bore holes of the mounting clamp and through the bore holes of the mounting base on the other site.
3. Put on the 4 nuts and tighten the screw connection by hand.

11 Automatic time setting

After the power supply was established, the clock will automatically search for the radio signal. The clock will automatically search for the radio signal.

If the radio signal is received correctly, the date and time will be set automatically and the radio control signal icon turns on.

If the clock fails to receive the time signal, go ahead with the following steps:

1. Press RCC button on the base station until radio signal symbol flashes.
2. If the device is still not receiving the signal, the time must be set manually.

Read the detailed manual for more information about manual time and alarm setting (see download information on page 2).

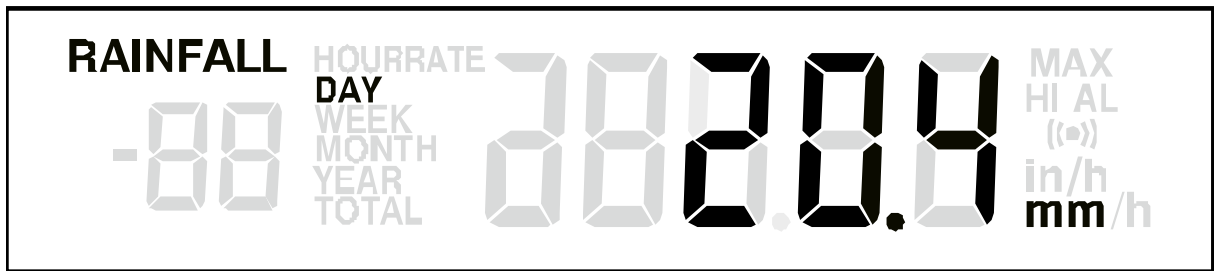
12 Receiving measurements automatically

Once batteries are installed, the base station will display the measurement readings. Readings from the remote sensor will be displayed within 3 minutes after powering it on.

Read the detailed manual for more information about readings (see download information on page 2).

13 Rainfall

The base station displays how many millimeters / inches of rainfall are accumulated over a time period, based on the current rainfall rate, that is updated every minute.



Select display mode

Press the RAIN button several times until the desired time range is displayed:

RATE	Current rainfall rate in past hour
HOURLY	Total rainfall rate for current hour
DAY	Total rainfall rate within the current day, from midnight
WEEK	Total rainfall rate for current week
MONTH	Total rainfall rate for current month
YEAR	Total rainfall rate for within a year (from first day of the year)

The measurement unit (millimeter or inch) for rainfall is selected via the MM / IN sliding switch.

14 Total Rainfall SINCE function

1. Press the SINCE button to display the total rainfall from a customized point in time.
2. To delete the current data: Press and hold the SINCE button until the stored value is cleared. The new value is now equal to day rainfall and the base unit will start again to collect the rainfall data.

15 Technical data

Main unit

Batteries	2x AA, 1.5 V
Temperature unit	°C / °F
Temperature measuring range	14°F - 122°F
Humidity measuring range	20% - 90%
Time display	HH:MM / Weekday
Time format	12 or 24 hours
Time signal	WWVB
Time zone	PST, MST, CST, EST, AST, NST
Calendar display	MM/DD/YR (Default setting) or DD/MM/YR
Dimensions	95 x 155 x 23 mm (W x H x D)
Weight	212 g (without batteries)

Wireless Rain gauge sensor

Batteries	4x AA, 1.5 V
Transmission frequency	915 MHz
Maximum radio-frequency power	< 25mW
Temperature unit	°C / °F
Temperature measuring range	-40°F – 140°F
Rainfall unit	mm, inch
Rainfall measuring range	0 – 29999 mm
Dimensions	109 x 200 x 109 min(W x H x D)
Weight	372g without batteries

16 Disposal



Sort packaging into different materials for disposal. Contact the local waste disposal service provider or environmental agency for information about appropriate waste management.

Do not dispose of electronic devices in the household garbage!

As per Directive 2012/19/EC of the European Parliament on waste electrical and electronic equipment and its adaptation into German law, used electronic devices must be collected separately and recycled in an environmentally friendly manner.

Do not dispose of batteries and rechargeable batteries with the household waste. You are legally required to return used batteries and rechargeable batteries. After they are used, the batteries can be returned free of charge to our point of sale or to a nearby location (for example, retailers or municipal collecting points).

Batteries and rechargeable batteries are marked with a symbol of a crossed-out dustbin and the chemical symbol of the pollutant. "Cd" stands for Cadmium, "Hg" stands for mercury and "Pb" stands for lead.

17 FCC compliance statement

This device complies with Part 15 of the FCC Rules. Operation is subject to the following two conditions: (1) this device may not cause harmful interference, and (2) this device must accept any interference received, including interference that may cause undesired operation.

Warning: Changes or modifications not expressly approved by the party responsible for compliance could void the user's authority to operate the equipment.

NOTE: This equipment has been tested and found to comply with the limits for a Class B digital device, pursuant to Part 15 of the FCC Rules. These limits are designed to provide reasonable protection against harmful interference in a residential installation. This equipment generates, uses and can radiate radio frequency energy and, if not installed and used in accordance with the instructions, may cause harmful interference to radio communications. However, there is no guarantee that interference will not occur in a particular installation.

If this equipment does cause harmful interference to radio or television reception, which can be determined by turning the equipment off and on, the user is encouraged to try to correct the interference by one or more of the following measures:

- Reorient or relocate the receiving antenna.
- Increase the separation between the equipment and receiver.
- Connect the equipment into an outlet on a circuit different from that to which the receiver is connected.
- Consult the dealer or an experienced radio/TV technician for help.

FCC responsible party: Explore Scientific, LLC
Company name: Explore Scientific, LLC
Address: 1010 S. 48th Street, Springdale, AR 72762
Phone: 866.252.3811