

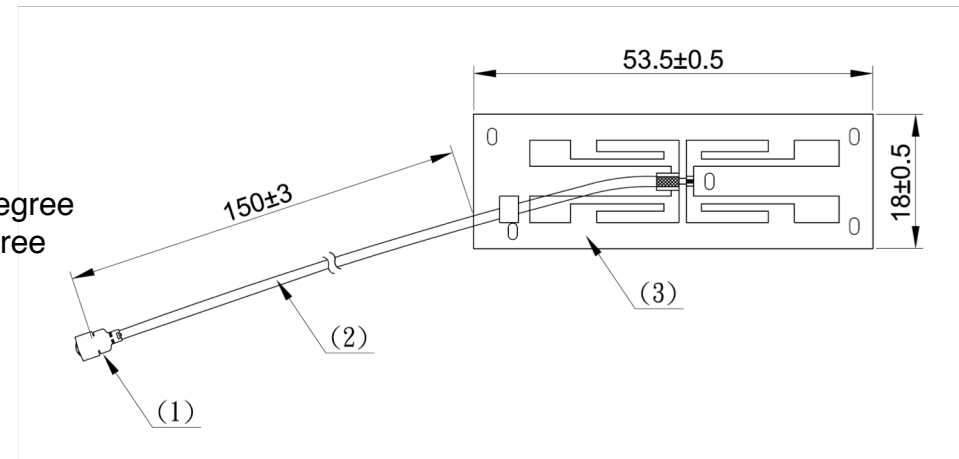
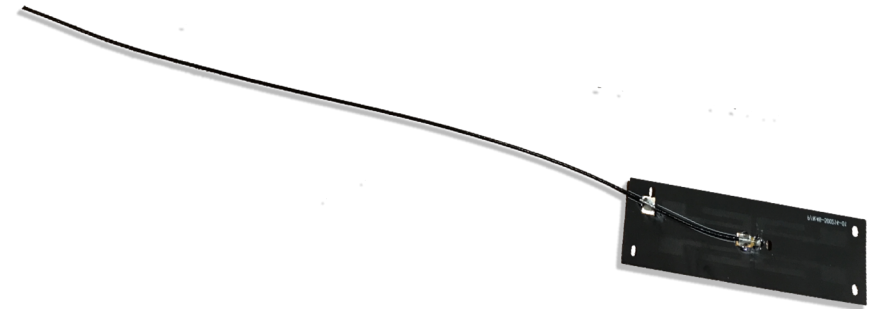
The WAFH-2DBI Series are easy-to-fit dual band, compact, embedded FlexPC antennas for a wide variety of wireless applications. The high-quality IPEX connector of this series is of common use in industrial, outdoor and enterprise in communication devices for the WiFi, bluetooth & GPS, cellular and mobile module markets.

1. ELECTRICAL SPECIFICATION

- Antenna Type: FPC-Type Antenna
- Frequency Range:
 - 2.4GHz~2.5GHz
 - 4.9GHz~5.85GHz
- V.S.W.R: $\leq 3.09 : 1$
- Impedance: 50ohm nominal
- Normal Gain: $< 2.5\text{dbi}$ typical
 - 2.4GHz 2.7dbi
 - 5.1GHz 1.8dbi
 - 5.8GHz 2.6dbi
- Return loss: -10dbi max
- Type of Radiation: Omni-directional
- HPBW/Horizontal: 360°
- HPBW/Vertical: 78°
- Polarization: Linear / Vertical
- Electrical Wave: $\frac{1}{2}$
- Connector: IPEX / UFL

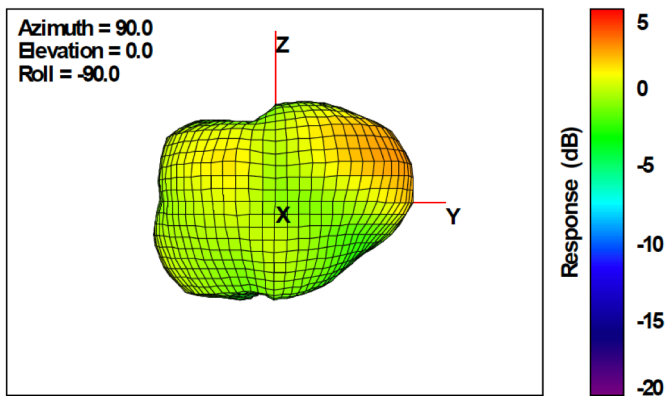
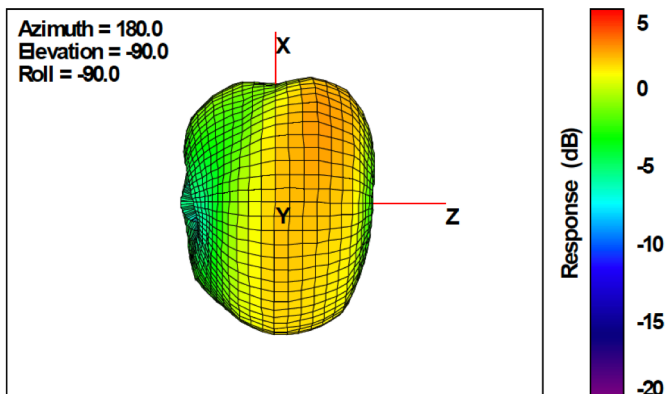
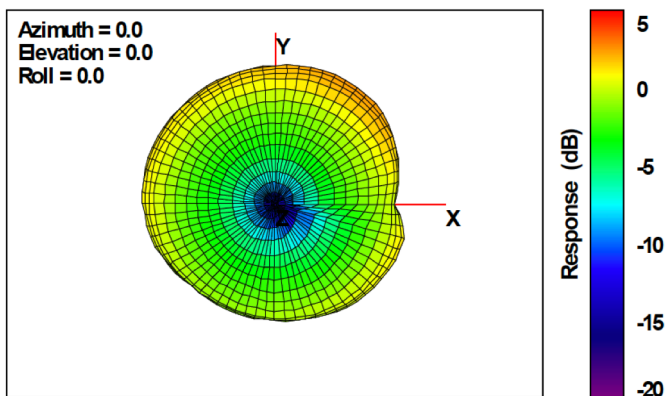
2. MECHANICAL SPECIFICATION

- Antenna Body: FPC
- Color: PCB / black cable
- Operation Temperature: $-40 \sim + 85$ degree
- Storage Temperature: $-40 \sim + 85$ degree
- Operation Humidity: RH 90%
- Storage Humidity: RH 95%
- Weight : 1.2gr max

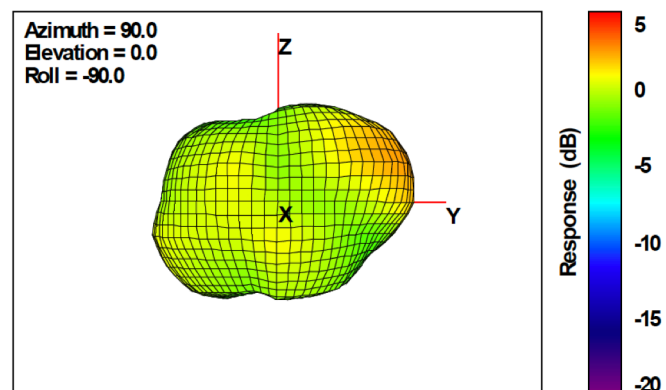
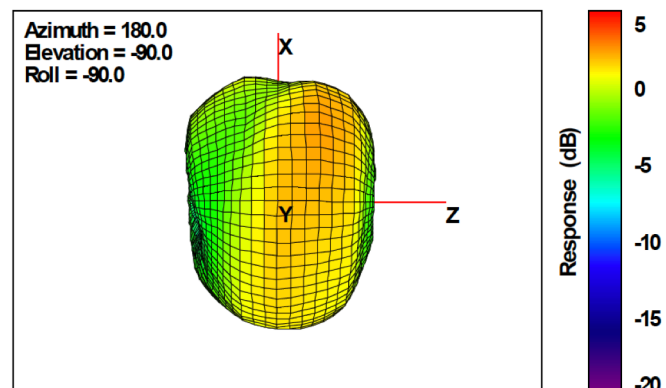
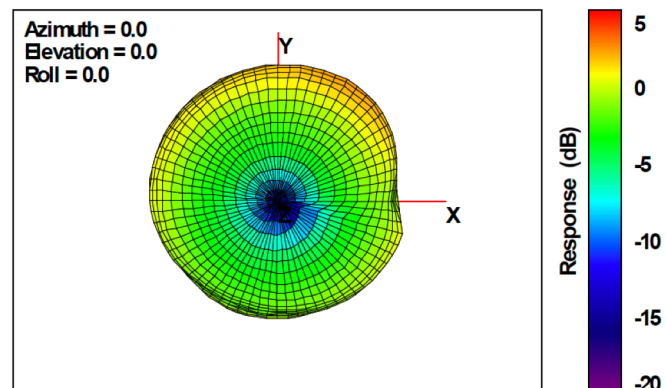


4. ANTENNA RADIATION PATTERNS

2400MHz



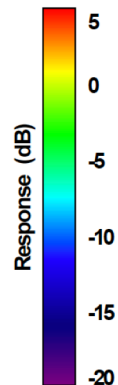
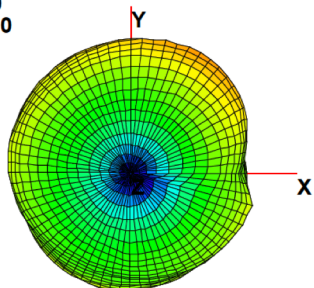
2450MHz



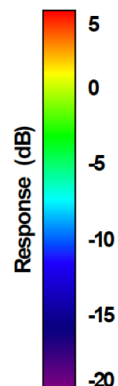
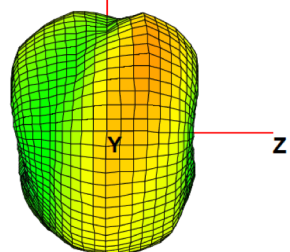
4. ANTENNA RADIATION PATTERNS

2500MHz

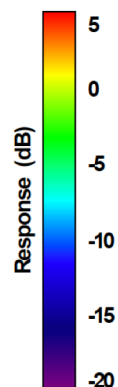
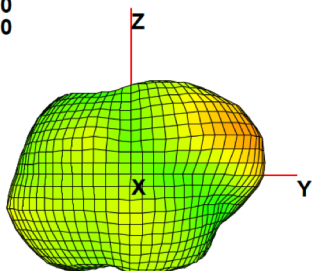
Azimuth = 0.0
Elevation = 0.0
Roll = 0.0



Azimuth = 180.0
Elevation = -90.0
Roll = -90.0

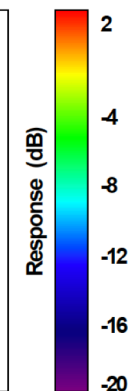
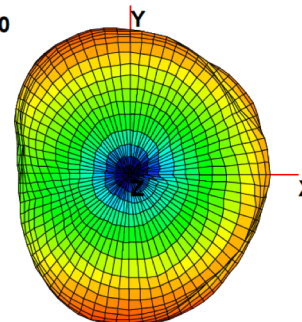


Azimuth = 90.0
Elevation = 0.0
Roll = -90.0

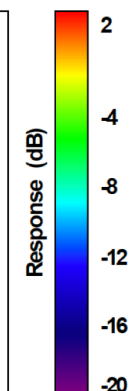
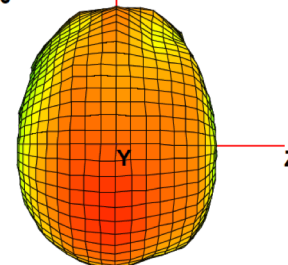


5100MHz

Azimuth = 0.0
Elevation = 0.0
Roll = 0.0



Azimuth = 180.0
Elevation = -90.0
Roll = -90.0



Azimuth = 90.0
Elevation = 0.0
Roll = -90.0

