

Hi, welcome to use Sonoff 4CH Pro! Sonoff 4CH Pro is a 4 channel (4-way) din rail mounting 433MHz RF remote WiFi switch that can independently control the 4 home appliances. It supports switching among 3 working modes: inching/interlock/self-locking mode.

Power supply: 90-250v AC(50/60Hz)/5-24v DC. Max current: 10A/gang.

1. Download “eWeLink” app.

## Install the APP

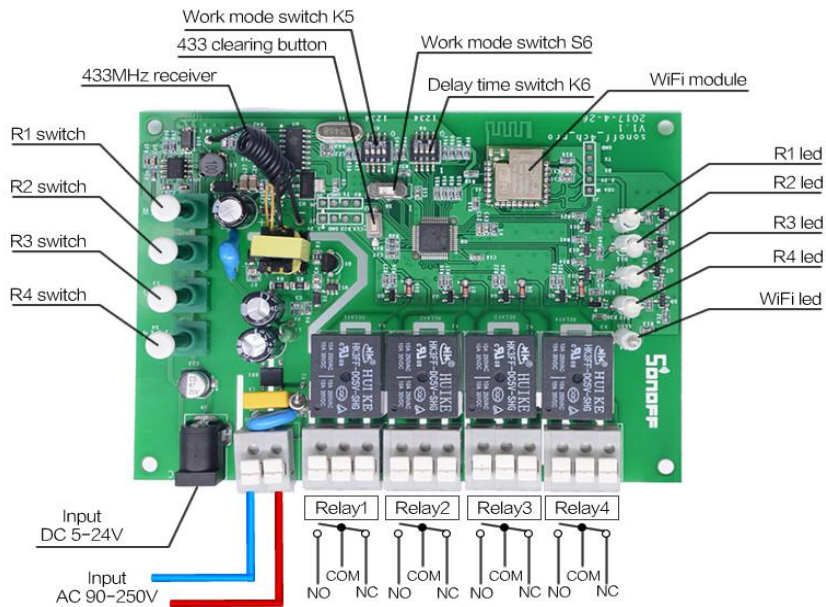


Search “eWeLink” in APP Store for iOS version or Google play for Android version.

2. Wiring instruction

If you want to connect the Sonoff 4CH Pro with lights or appliances. Please strictly follow the wiring diagram as shown below:

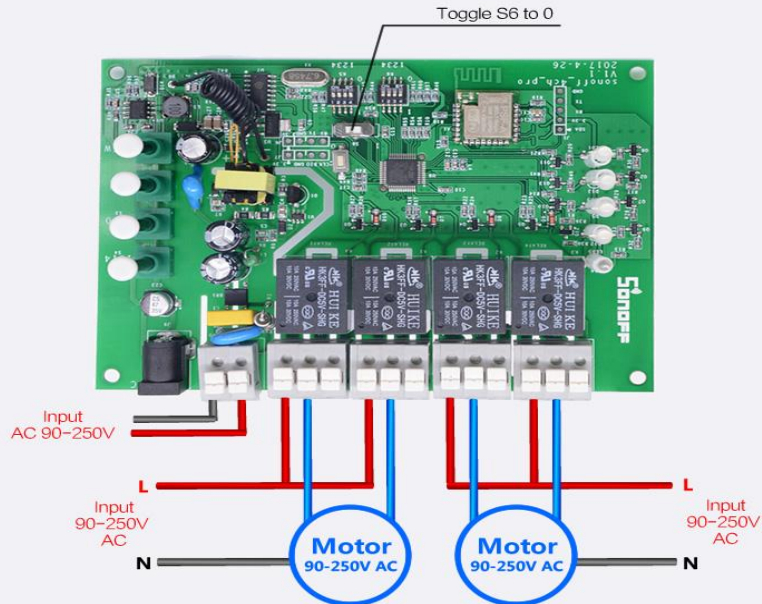
## WHAT'S ON BOARD?



You may choose to power up by 5-24V DC or by 90-250V AC. Each relay without voltage output.

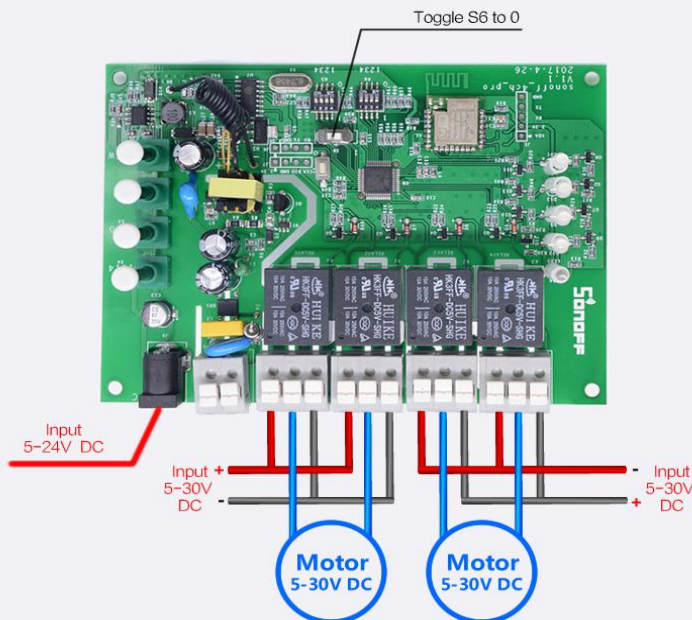
If you connect the Sonoff 4CH Pro with a motor, the wiring instruction is as below:

## AC Motor Wiring Diagram



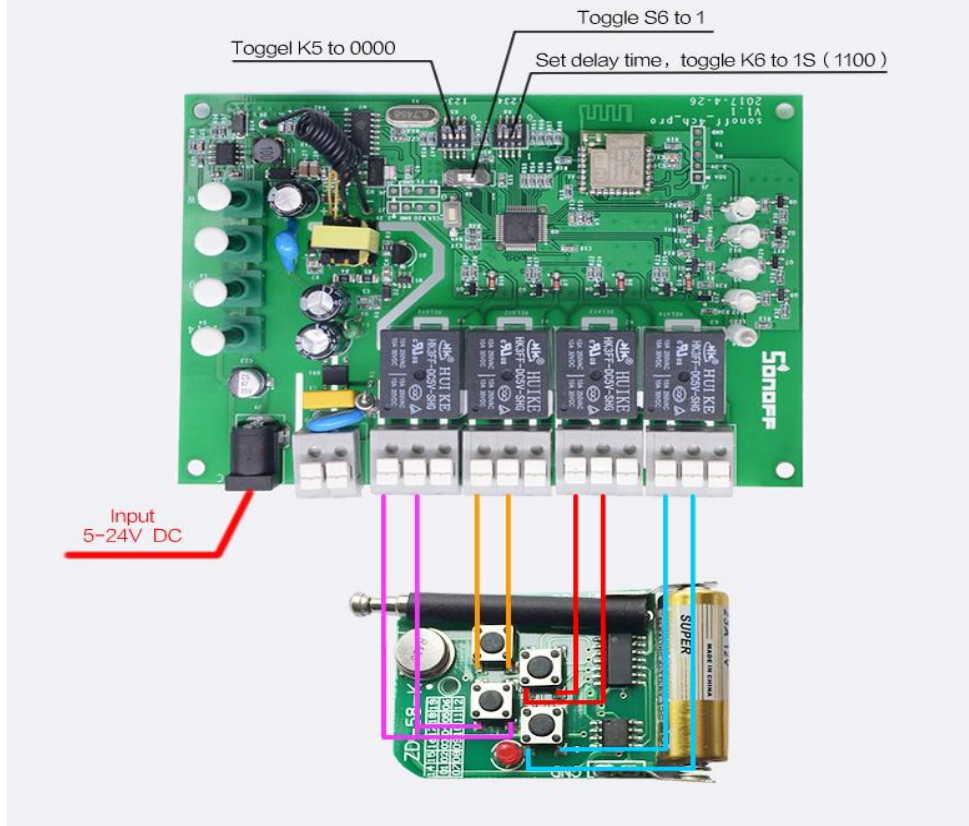
Note : only 1 motor can run each time.

## DC Motor Wiring Diagram



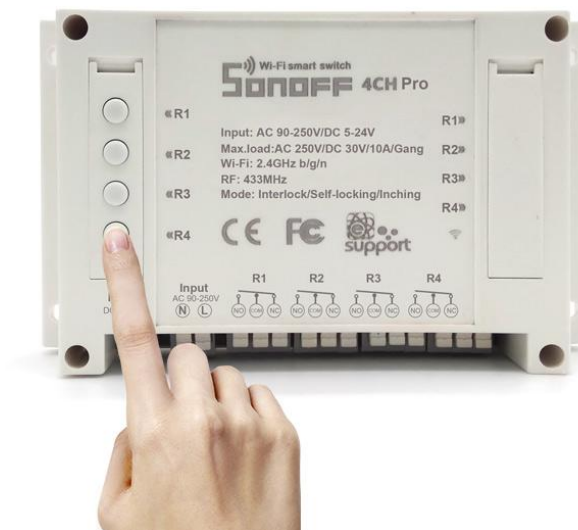
Note : only 1 motor can run each time.

# WiFi Remote Controller



### 3. Add Device

1. Power up your device through 90-250v AC(50/60Hz) or 5-24v DC.



2. Press and hold one of the 4 ON/OFF buttons for 7 seconds until the wifi LED fast blinks 3 times and repeat.



3. Click the “+” icon on eWeLink to search device, click next.

For iOS users, they will see two pairing method icons to select, here please select the 2nd icon.

The App will auto-search the device.



4. Enter your home SSID & password:

4.1 If your WiFi doesn't have a password, keep it blank.

4.2 Now eWeLink only support 2.4G wifi communication protocol, 5G-WiFi-router is not supported

It takes 3 minutes , please wait...



searching device...

5. Next, the device will be registered by eWeLink and add it to your account, it takes 1-3 minutes.



6. Name the device to complete.

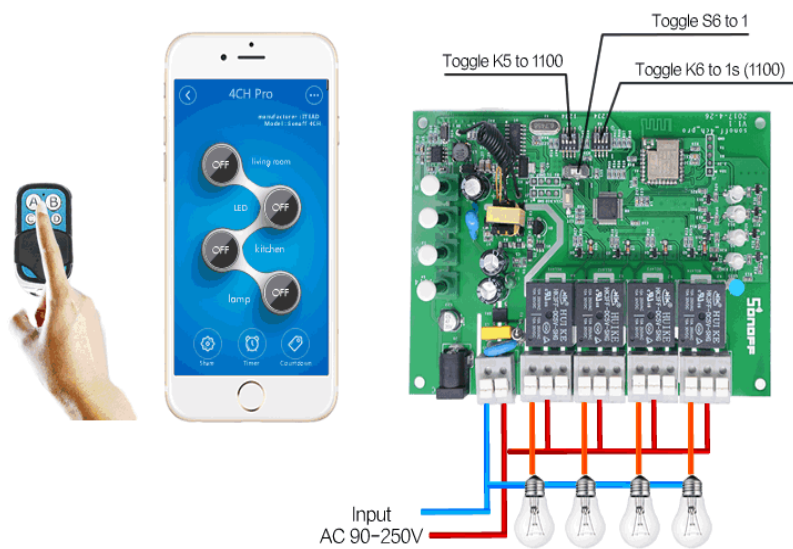
7. Maybe the device is “Offline” on eWeLink, for the device needs 1 minute to connect to your router and server. When the wifi LED is on, the device is “Online”.

### 3. Working Mode Settings

You can set the switch among 3 working modes: inching/interlock/self-locking mode.

1. In self-locking mode, you can turn on/off the 4 connected devices independently. For example, if you turn on CH1, connected device keeps on. If you turn off CH2, connected device keeps off.

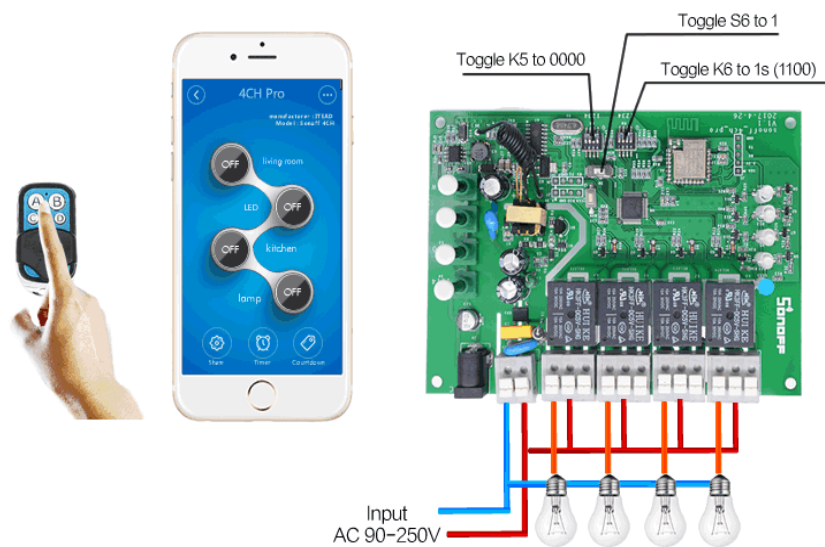
## Self-locking Mode + Inching Mode GIF



2. In inching mode, you can turn on the connected devices for 0.25-4s. For example, you can turn on CH1 connected device for 1s, then auto-off.

## ③ Inching Mode GIF

# 3 WORKING MODES

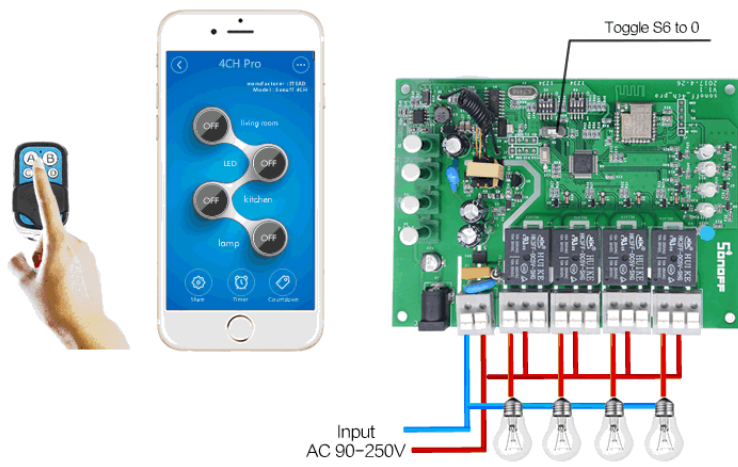


3. In interlock mode, you can turn on 1 device every time, and turn off other devices at the same time. For example, if you have turned on CH2, then when you turn on CH3, CH2 will be auto-turned off at the same time.

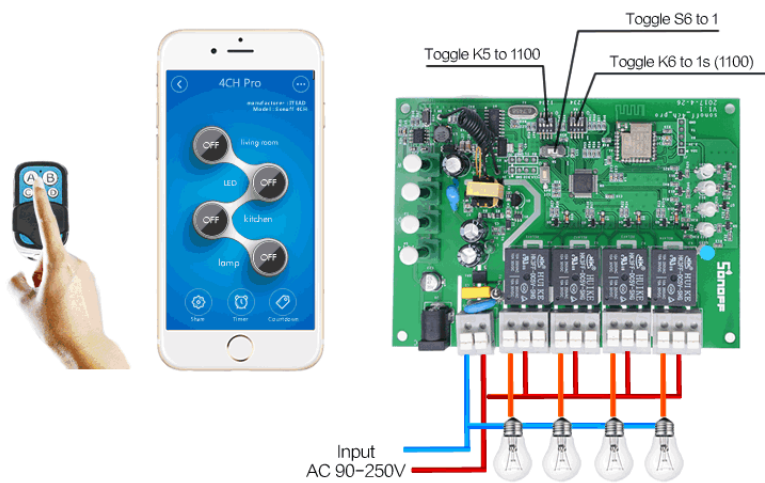


# 3 WORKING MODES

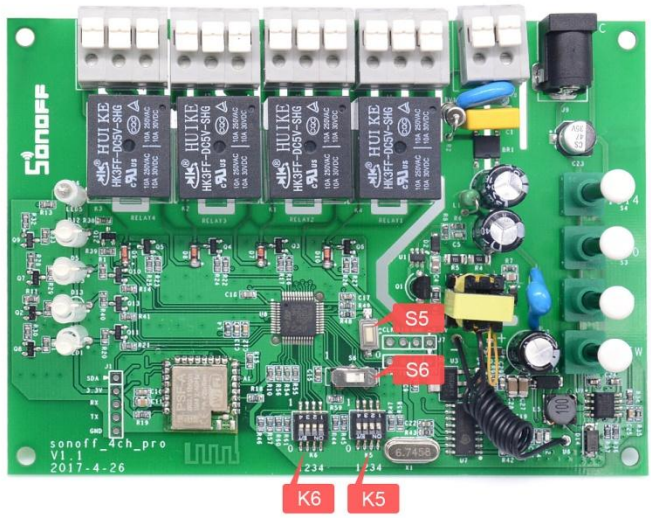
## ② Interlock Mode GIF



## Self-locking Mode + Inching Mode GIF



We will introduce how to switch among the 3 modes below:



As you can see from the image, there are S5, S6, K6 and K5.

**CAUTION:** Please cut off the power supply before switching S5, S6, K5, K6. Whether you use DC or AC input, make sure you have unplugged the power plug every time!!! It's very dangerous if you don't cut off the power supply, and the new settings can not be activated.

Work Mode Switch S6		
0	Interlock	CH1 to CH4
1	Self-locking/Inching	CH1 to CH4

Work Mode Switch K5			
Position	Status	Mode	Apply to
1	0	Inching	CH1
2	0	Inching	CH2
3	0	Inching	CH3
4	0	Inching	CH4
1	1	Self-locking	CH1
2	1	Self-locking	CH2
3	1	Self-locking	CH3
4	1	Self-locking	CH4

Note: Cut off the main supply before changing work mode.

**S6 is interlock /inching&self-locking switch:** Toggle to the right(0), it enters into interlock mode; Toggle to the left(1), it enters into inching &self-locking mode.

**K5 is inching/self-locking switches:** From left to right, there are 1, 2, 3, 4, correspondingly for channel 1 (CH1), channel 2 (CH2), channel 3 (CH3), channel 4 (CH4). Toggle the switch down (0), the corresponding channel enters into inching mode; Toggle the switch up (1), the corresponding channel enters into self-locking mode.

Please note that if S6 is toggled to the right(0), your 4CH Pro is in interlock mode, it's invalid to set K5.

**K6 is used to set the delay time for inching mode.** From left to right there are 1, 2, 3, 4, correspondingly for CH1, CH2, CH3, CH4. Toggle all switches down (0000), the inching time will delay for 4s; Toggle all switches up (1111), the inching time will delay for 0.25s.

Please refer to the delay time setting list below:

Delay time Switch K6		
Value	Delay	Apply to
0000	4000ms	CH1 to CH4
0001	3750ms	CH1 to CH4
0010	3500ms	CH1 to CH4
0011	3250ms	CH1 to CH4
0100	3000ms	CH1 to CH4
0101	2750ms	CH1 to CH4
0110	2500ms	CH1 to CH4
0111	2250ms	CH1 to CH4
1000	2000ms	CH1 to CH4
1001	1750ms	CH1 to CH4
1010	1500ms	CH1 to CH4
1011	1250ms	CH1 to CH4
1100	1000ms	CH1 to CH4
1101	750ms	CH1 to CH4
1110	500ms	CH1 to CH4
1111	250ms	CH1 to CH4

#### 4. RF Remote Settings

**Pairing with 433MHz RF Remote:** Quickly press twice one of the switches below, then press one of the ABCD buttons on your RF Remote. If paired successfully, the button will lit up in red, and the corresponding status LED will blink in green for 4 times. You can press the button to turn on or turn off the related channel.





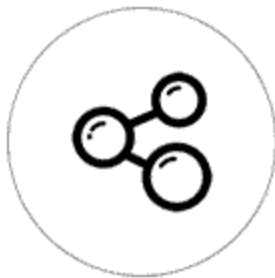
**Clear 433MHz Coding:** S5 is 433MHz code clearing button, please press and hold it until the 4 LEDs lit up green and off.

### 5. APP Features

1. Use WiFi to remote control 4 devices separately.

Turn on/off by tapping on device icon. Device status will simultaneously display on the interface.

2. Share Control



The owner can share the devices to other eWeLink accounts. While sharing devices, both should stay online on eWeLink.

Because if the account you want to share is not online, he/she will not receive the invitation message.

How to make it possible? Firstly click **Share**, input the eWeLink account (phone number or email address) you want to share, tick the timer permissions (edit/delete/change/enable) you want to give, then click **Next**. The other account will receive an invitation message. Click **Accept**, the device has shared successfully. The other account will have access to control your device.

3. Timing



**Supports max 8 enabled single/repeat/countdown timer to auto-turn on/off connected appliances. Preset timers can work even WiFi is unavailable, but the device must keep power on.**

#### 4. Scene

Scene allows triggering on/off your devices automatically. Scene Settings is in the upper right corner of Device List. You can set up scenes or smart scenes to trigger on/off Sonoff 4CH Pro.

**Users** should select “Click to execute” in the condition, add different existing devices, name the scene and save it.

#### 4. Problems and Solutions

Read the detailed [FAQ](#) on Itead Smart Home Forum. If below answers can't solve your problem, please submit a feedback on [eWeLink](#).

1. My device has added successfully but stays “Offline”.

Answers: The newly added device need 1-2 min to connect to your router and the Internet. If it stays offline for a long time, **please** judge the problem by the wifi led status:

1.1. Wifi led quickly blinks one time and repeats, which means device failed to connect to the router. The reason may be you have entered wrong WiFi password or your device is too far away from the router, which causes a weak WiFi signal. The **device** can not be added to the 5G-wifi-router, only the 2.4G-wifi is OK. At last, make sure that your router is MAC-open.

1.2. Wifi led slowly blinks one time and repeats, which means the device has connected to router and server but failed to be **added** to device list. Then power on the device again, if it still not working, just add the device again.

1.3. Wifi led quickly blinks twice and repeats, this means the device has connected to the router but failed to connect to the server. Then please confirm your WiFi router works normally.

2. Why **the** APP can not find the device in pairing status?

Answers: That's because of your phone's cache. Please close the WLAN of your phone then open it after a minute. At the same **time**, please power off the device if you can, then power up to try again.

3. My WiFi is expired, can I connect the devices to LAN? Can my phone be directly connected to device hotspot?

**Answers:** Currently this product does not support LAN or directly connect to hotspot. It must connect to the WiFi router.

4. **The** wifi led keeps off, even if the device is powered on. Press the button but the device does not work.

Answers: The circuit may be broken, please send it back for testing. Return shipping postage and packaging will be at buyer's expense, if the device is damaged by the buyer, and the buyer should bear extra repair cost.

**FCC Caution:**

This device complies with part 15 of the FCC Rules. Operation is subject to the following two conditions: (1) This device may not cause harmful interference, and (2) this device must accept any interference received, including interference that may cause undesired operation.

Any Changes or modifications not expressly approved by the party responsible for compliance could void the user's authority to operate the equipment.

**Note:** This equipment has been tested and found to comply with the limits for a Class B digital device, pursuant to part 15 of the FCC Rules. These limits are designed to provide reasonable protection against harmful interference in a residential installation. This equipment generates uses and can radiate radio frequency energy and, if not installed and used in accordance with the instructions, may cause harmful interference to radio communications. However, there is no guarantee that interference will not occur in a particular installation. If this equipment does cause harmful interference to radio or television reception, which can be determined by turning the equipment off and on, the user is encouraged to try to correct the interference by one or more of the following measures:

- Reorient or relocate the receiving antenna.
- Increase the separation between the equipment and receiver.
- Connect the equipment into an outlet on a circuit different from that to which the receiver is connected.
- Consult the dealer or an experienced radio/TV technician for help.

This equipment complies with FCC radiation exposure limits set forth for an uncontrolled environment. This equipment should be installed and operated with minimum distance 20cm between the radiator & your body.