

REV		DESCRIPTION	BY	APR
1	15-09-08	INITIAL RELEASE	MA	SR

NOTES:

1. PLACEMENT ON THE PART IS PER USED-ON DRAWING AND PROFILE SHOWN BELOW
2. GRAPHICS SHOWN ARE FOR INSPECTION PURPOSES ONLY. CONTACT PHILIPS FOR ELECTRONIC GRAPHIC ARTWORK FILES.
3. MINOR LAYOUT DIFFERENCES ARE ALLOWABLE FOR TOOLING CONSIDERATIONS. CONTENT IS CRITICAL
4. REFER TO FIGURE 1 FOR WEEE SYMBOL MINIMUM DIMENSIONS. DIMENSIONS TO BE APPLIED POST MOLD SHRINKAGE.

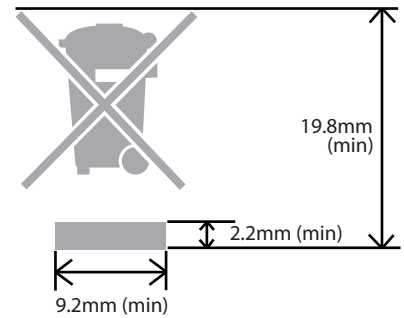
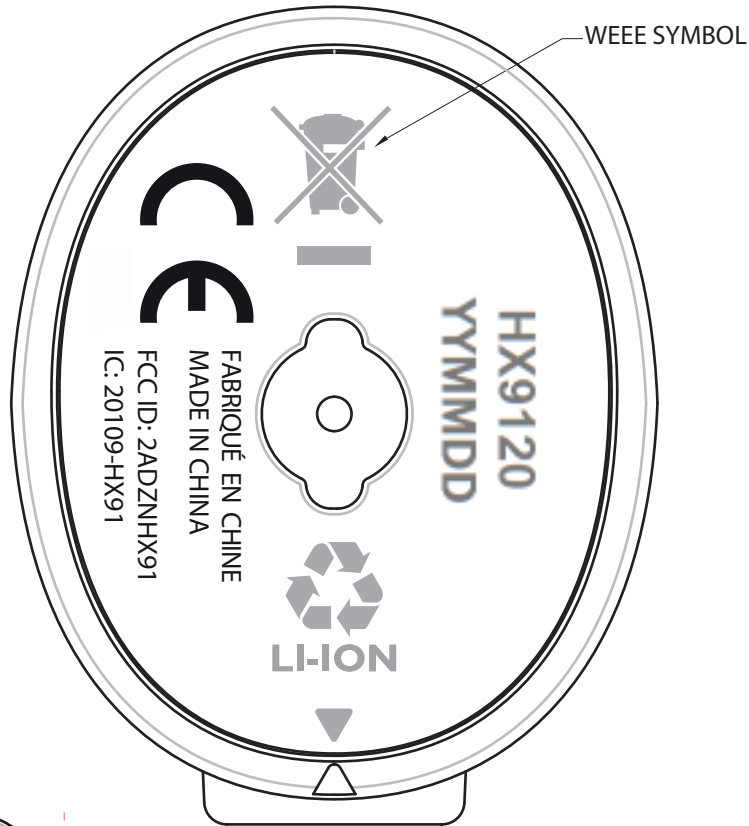
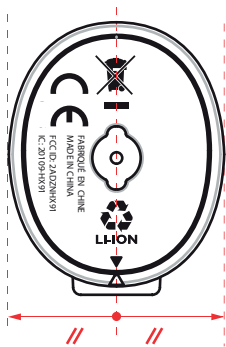


FIGURE 1



CENTRE LINE

1:1 SCALE

*** Confidential ***		PHILIPS		PHILIPS CONSUMER LIFESTYLE 22100 BOTHELL EVERETT HWY BOTHELL, WA 98021	
THIS DOCUMENT CONTAINS PROPRIETARY INFORMATION THAT IS THE SOLE PROPERTY OF PHILIPS. DISTRIBUTION, REPRODUCTION OR USE BY OTHERS IS NOT PERMITTED WITHOUT THE WRITTEN PERMISSION OF PHILIPS. ©2015 PHILIPS ELECTRONICS NORTH AMERICA CORPORATION		DESCRIPTION: ARTWORK, END PLUG, HANDLE, TUSCANY			
PREPARED: MOHSIN ATTAR	DATE: 15-09-08	SIZE: N/A	DOCUMENT NO: 4235 006 3951	REV: 1	15-09-08
APPROVED: S RAJAGOPALAN	DATE: 15-09-08	SH: 117		SHEET: 1 OF 1	