

## COSMO 1200

1200FT WIRELESS HDMI/SDI TRANSMISSION SYSTEM

USER MANUAL

Version1.0



# PACKING LIST



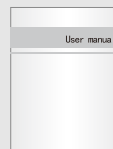
1



2



3



4



5



6



7



8



9

1 Receiver x 1

2 Transmitter x 1

3 5GHz Antennas x 8

4 User Manual x 1

5 DC conversion cable x2

6 Magic Arm x 1

7 Crab Clamp x 1

8 Mushroom Antenna x 2

9 USB cable USBx1

# INTRODUCTION

The wireless high-definition video transmission system, using today's highest level of wireless communication technology, transmits broadcast-quality uncompressed, non-delayed 3G SDI or HDMI1080P HD signals. Transmitter supports SDI ,HDMI and SDI loopout; receiver support dual SDI output and HDMI output. Both transmitter and receiver working in broadcast mode, the transmission distance can reach 1200ft.

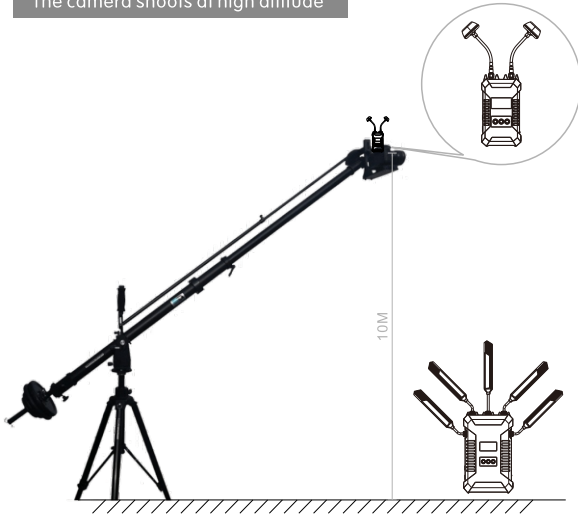


# MUSHROOM ANTENNA APPLICATION

When the height difference between the transmitter and the receiver is large, the mushroom antenna is recommended to enhance the stability of the wireless transmission.

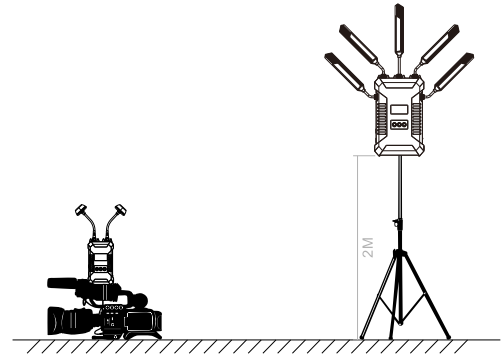
## Scene 1

The camera shoots at high altitude

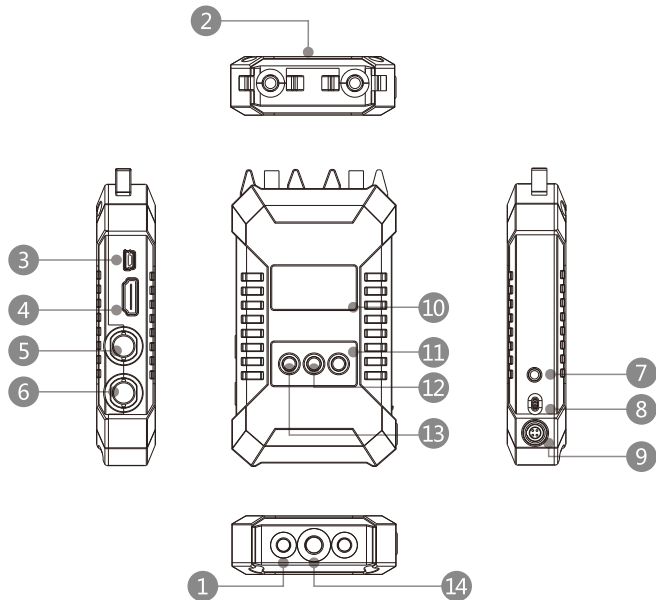


## Scene 2

Camera close to the ground



# PRODUCT INTRODUCTION

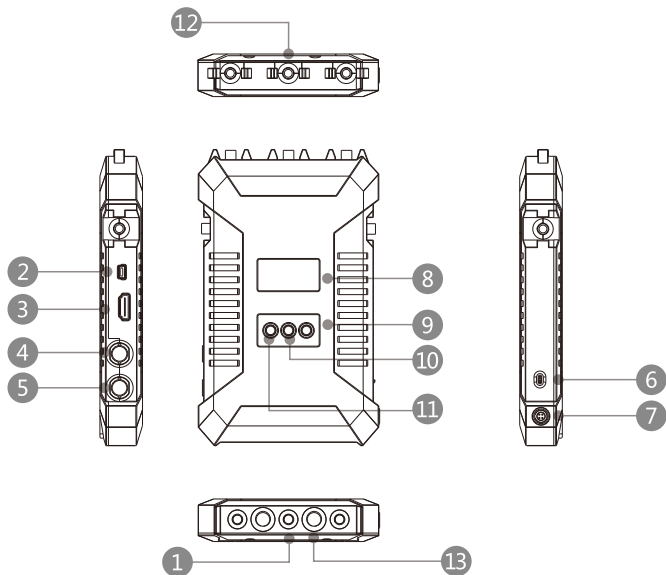


## Transmitter

- 1 1/4-20 Screw hole
- 2 Antenna Port (RP-SMA male)
- 3 Mini USB
- 4 HDMI Input
- 5 3G SDI Loop Out
- 6 3G SDI Input
- 7 3.5mm Stereo In
- 8 Power Switch
- 9 DC Power Input(7-36V)
- 10 OLED Screen
- 11 Channel Selection Button
- 12 Frequency Adjustment and Confirm Button
- 13 Channel Subtract Selection Button
- 14 3/8-16 Screw Hole

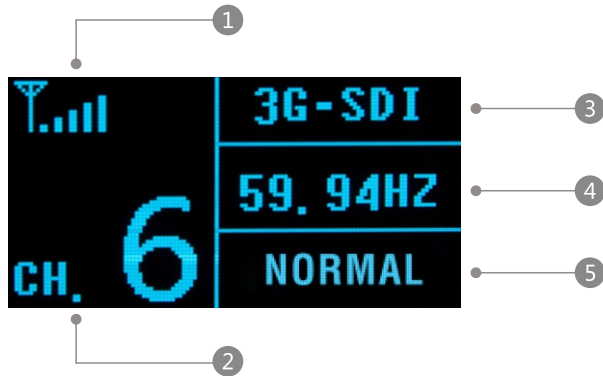
# PRODUCT INTRODUCTION

## Receiver



- 1 1/4-20 Screw Hole
- 2 Mini USB
- 3 HDMI Output
- 4 3G SDI Output 1
- 5 3G SDI Output 2
- 6 Power Switch
- 7 DC Power Input(7-36V)
- 8 OLED Screen
- 9 Channel Selection Button
- 10 Frequency Adjustment and confirm Button
- 11 Channel subtract Selection Button
- 12 Antenna Port(RP-SMA male)
- 13 3/8-16 Screw Hole

# PRODUCT INTRODUCTION



## Screen Instruction

- 1 Link Indicator, Green
- 2 Channel Selection
- 3 TX Source Display, RX VIDEO Source Display
- 4 Signal Access Format
- 5 Temperature Display



## ■ Installation details and cautions

---

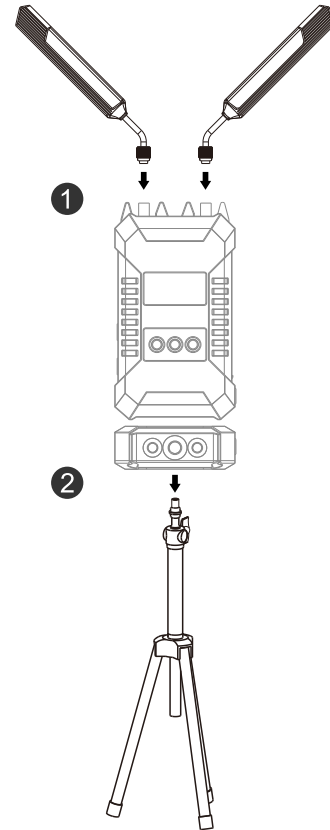
Install the antennas as picture

---

---

Stabilize transmitter and receiver

---

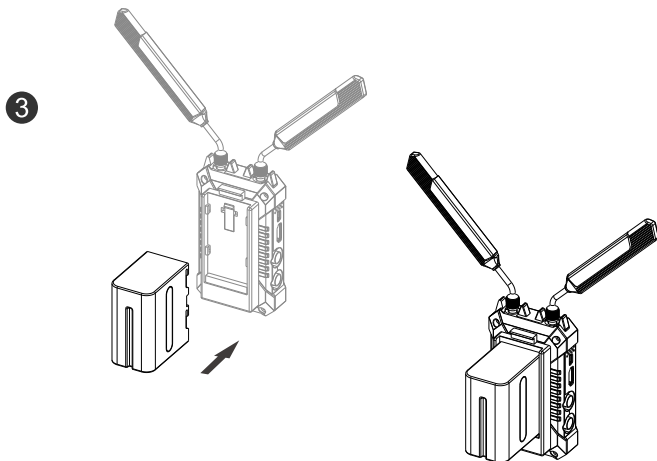


## ■ Installation details and cautions

---

Connect power supply

---



---

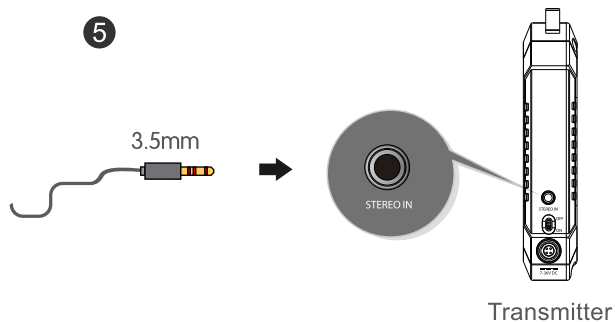
Turn on the switch

---

# OPERATION INSTRUCTION

## ■ Installation details and cautions

Connect the transmitter audio



Set up connection

- When the receiver does not receive the signal, the display shows the status of "No Video", no format display



## ■ Installation details and cautions

---

When both SDI and HDMI have valid video input, the system will take SDI input as priority

---

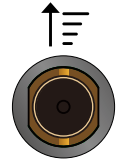
---

RSSI indicators

---



HDMI Signal



SDI Signal

Strong



Middle



Weak



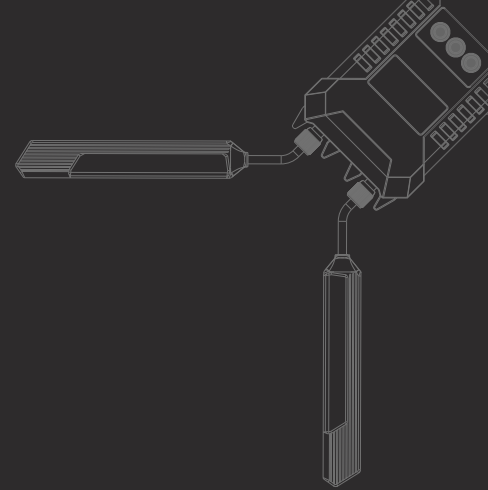
# TROUBLE SHOOTING

## 1 No output on display

- a) Check TX and RX power first, if power supply through battery or external power source, please make sure the battery or external power source works normally;
- b) Check if TX antenna and RX antenna installed right and steady;
- c) After that, check 'Video' indicator, if TX 'Video' indicator is not light, then check SDI or HDMI cable is plugged in and video source is ready please;
- d) Finally check input video format is compatible with this product specs.

## 2 Poor output video quality

- a) Check if SDI or HDMI input or output cable is plugged well,
- b) Make sure the transmitter and receiver are placed at least 1.5 meters above the ground,
- c) Please check the wireless signal strength indicator "RSSI" status. There should be 2-3 RSSI LED lit if the user want to get better video quality; if there is only 1 RSSI LED or no LED light, that means the received wireless signal is weak, and should decrease the transmission distance or try to change to other frequency channels in case some exist interference.



# FCC STATEMENT

1, This device complies with Part 15 of the FCC Rules. Operation is subject to the following two conditions:

(1) This device may not cause harmful interference.

(2) This device must accept any interference received, including interference that may cause undesired operation.

2, Changes or modifications not expressly approved by the party responsible for compliance could void the user's authority to operate the equipment.

## ■ NOTE

This equipment has been tested and found to comply with the limits for a Class B digital device, pursuant to Part 15 of the FCC Rules. These limits are designed to provide reasonable protection against harmful interference in a residential installation.

This equipment generates uses and can radiate radio frequency energy and, if not installed and used in accordance with the instructions, may cause harmful interference to radio communications. However, there is no guarantee that interference will not occur in a particular installation. If this equipment does cause harmful interference to radio or television reception, which can be determined by turning the equipment off and on, the user is encouraged to try to correct the interference by one or more of the following measures:

Reorient or relocate the receiving antenna.

Increase the separation between the equipment and receiver.

Connect the equipment into an outlet on a circuit different from that to which the receiver is connected.

Consult the dealer or an experienced radio/TV technician for help.

## ■ RF WARNING STATEMENT

The device has been evaluated to meet general RF exposure requirement. The device can be used in portable exposure condition without restriction.

FOLLOW US

 HollylandTech  HollylandTech



86-755-8614-6192

86-755-8600-0682

[www.hollyland-tech.com](http://www.hollyland-tech.com)

[sales@hollyland-tech.com](mailto:sales@hollyland-tech.com)

6-7th Floor, 3th Building, 2th South District,  
Honghualing Industry Park, Xili Town, Nanshan, Shenzhen, P.R China

**SHENZHEN HOLLYLAND TECHNOLOGY CO.,LTD**