

VenusLiv Air User Manual

V2.0.0

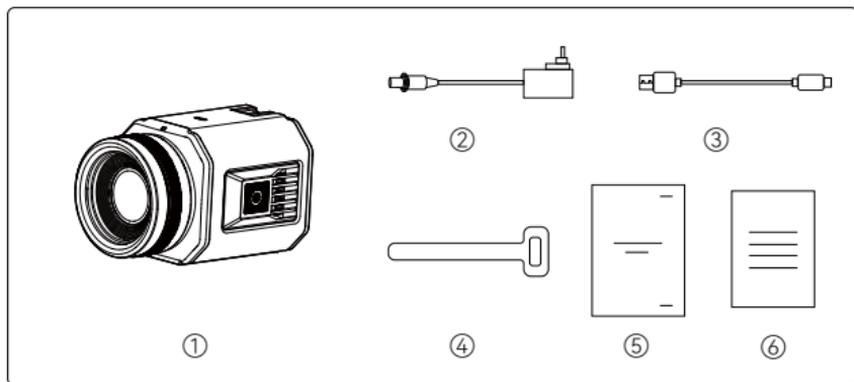
Introduction

Thank you for purchasing the Hollyland VenusLiv Air camera. Please read this User Manual carefully before using the product.

For more detailed information, please scan the QR code to view the latest product user manual.

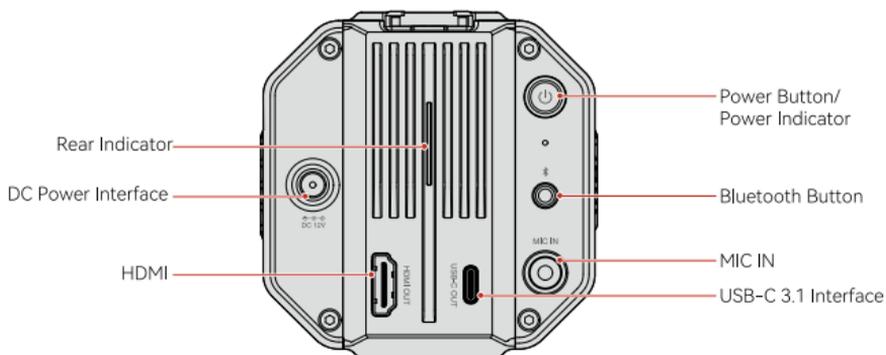
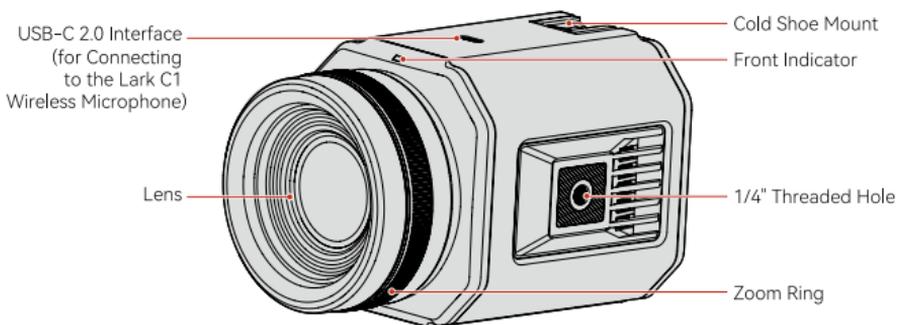


Packing List



① VenusLiv Air	x1
② 12V 2A Adapter	x1
③ USB-A to USB-C Cable	x1
④ Cable Tie	x1
⑤ User Manual	x1
⑥ Warranty Card	x1

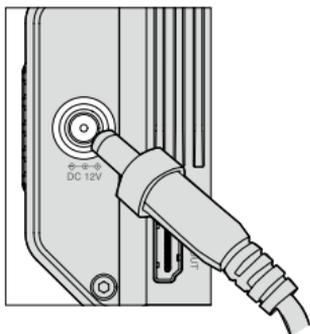
Parts Description



Parts Functions

DC Power Interface

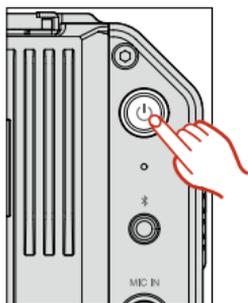
Power adapter interface. It is strongly recommended to use the original adapter to avoid the risk of camera damage.



Power Button

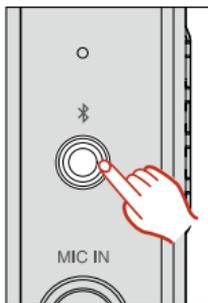
Press and hold the button to turn on the camera. In this case, the indicator light turns ON in green.

Press and hold the button to turn off the camera. In this case, the indicator light turns OFF.



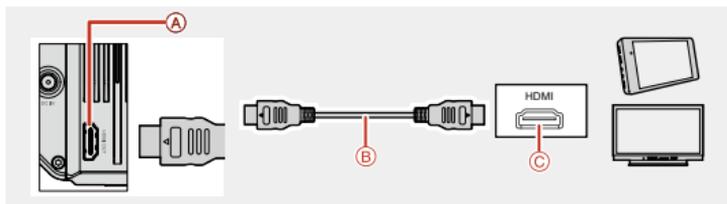
Bluetooth Button

Press the button to pair the camera with a Bluetooth device. Then, the indicator light will alternately flash red and green, indicating that the camera is in the pairing mode.



HDMI for Audio & Video Output

The interface can be used for connecting to a monitor for monitoring or to a PC and a broadcasting station for streaming your production content.



USB-C 3.1 Interface

- **UVC + UAC Streaming**

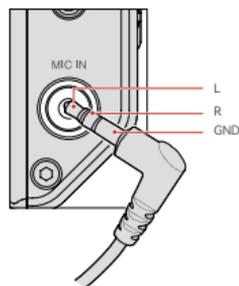
The interface can be used for connecting to a PC for transmitting audio & video streams.

Note:

Please use the original USB-C 3.0 cable. Cables lower than USB-C 3.0 may not support the transmission of your audio & video streams.

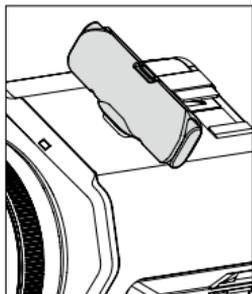
3.5mm MIC IN

The interface is used for connecting to a three-section MIC IN device.



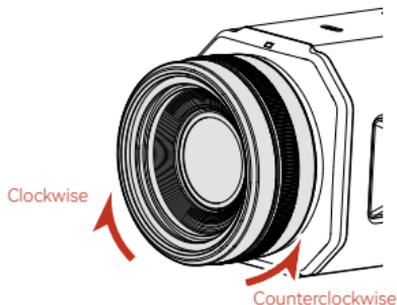
USB-C 2.0 Interface

The interface only supports connecting to the Lark C1 wireless microphone. Compatibility issues may be caused when audio devices with other USB-C interfaces are connected.



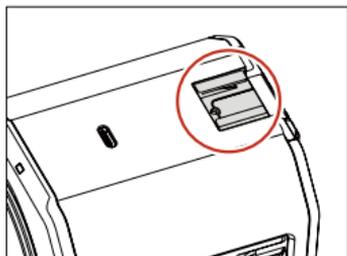
Zoom Ring

Rotate the zoom ring clockwise to reduce the focal distance. Rotate the zoom ring counterclockwise to increase the focal distance.



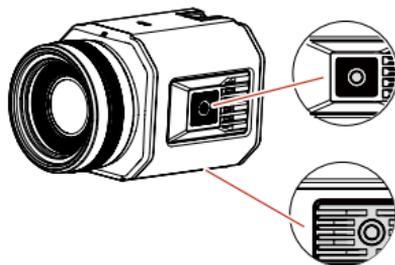
Cold Shoe Mount

Used for mounting external devices.



1/4" Threaded Hole

Used for installing the camera.



Indicators

Power indicator light: Yellow

Yellow light ON: The camera is connected to the adapter for the power supply.

Front/Rear indicator light: Red/Green

Steady green light:
Normal operation

Green light flashing slowly:
Camera being initialized

Steady red light:
Abnormal camera status

Red light flashing slowly:
Firmware upgrade in progress

Red and green light flashing slowly:
Bluetooth pairing in progress

UVC Streaming

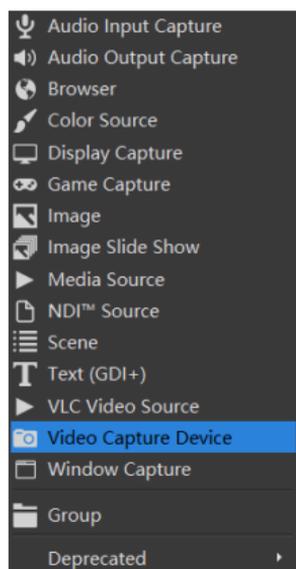
This section describes how to perform live streaming and video play on a PC (with a USB-C 3.0 interface) via third-party software.

Prerequisites

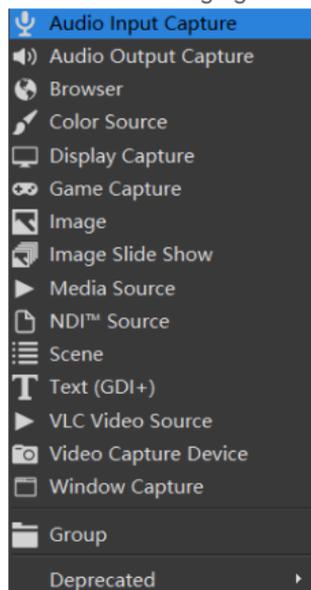
1. A streaming tool has been installed, for example, OBS Studio.
2. The camera has been turned on. Please use the original adapter for the camera power supply.
3. The camera has been connected to the PC via the original USB-C 3.0 cable.
4. The camera has been connected to a microphone.

UVC Streaming

1. Select **Video Capture Device**, as shown in the following figure.
2. Select **Audio Input Capture**, as shown in the following figure.

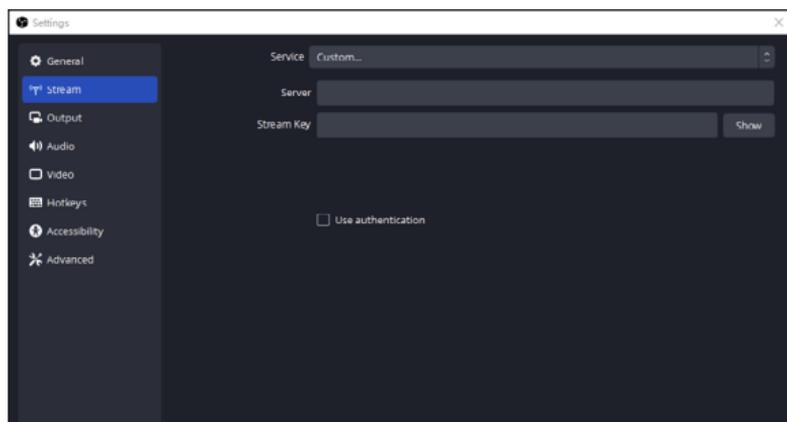


Select **HOLLYLAND FHD Camera** as the video capture device.



Select **HOLLYLAND** as the audio input capture device.

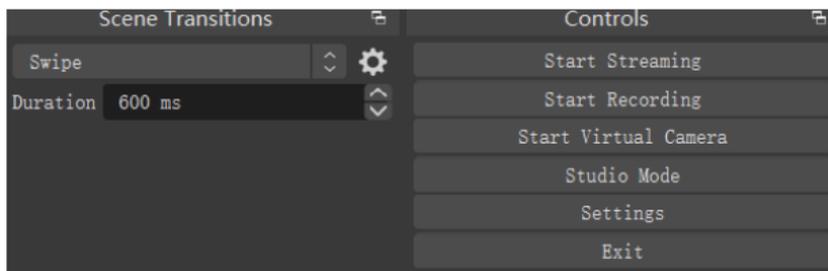
3. Configure the streaming URL.
Select **Stream** in the left navigation pane and set the **Server** and **Stream Key** parameters, as shown in the following figure.



Note:

OBS Studio of different versions may have different parameter names, but the rules to set the parameters are the same.

4. Click **Start Streaming** to start live broadcasting.



Streaming to a Broadcasting Station via an HDMI Cable

1. Connect the camera to a broadcasting station via an HDMI cable.
(Note: The HDMI cable is required to support HDMI 1.4 or above.)
2. Perform streaming settings after audio & video streams are displayed on the broadcasting station.
3. Tap **Live** on the broadcasting station to start streaming.

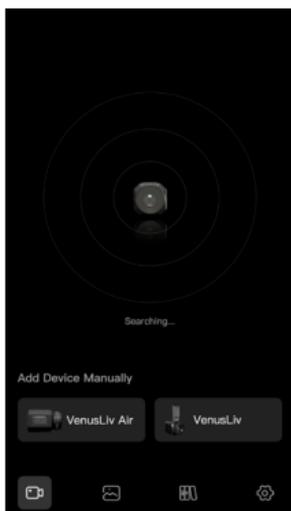
Connecting to the App on a Mobile Phone

Connection Configuration

1. Download the VenusLiv app.
 - Open the app store on an Android phone and search for and install the VenusLiv app.
 - Open App Store on an iPhone and search for and install the VenusLiv app.
2. Connect the camera to a power source, turn on the camera, and press the Bluetooth button for pairing. Then, the indicator light will alternately flash red and green, indicating that the camera is in the pairing mode.



3. Open the app and search for the camera via Bluetooth.
4. On the device search interface, tap the device to be connected and enter the password (the last seven digits in the S/N), and tap **OK**.



5. After the camera is successfully connected to the app via Bluetooth, you can set the camera parameters and perform other settings in the app.



Specifications

CPU	Qualcomm	
CMOS	Sony	
OS	HollyOS	
Weight	600g (21.2oz)	
Dimensions	(LxWxH): 127mmx81mmx84mm (5"x3.2"x3.3")	
Power Consumption	<6W	
Input Voltage	12V 2A DC	
Wireless Technology	Wi-Fi: 2.4 GHz + 5 GHz	Bluetooth 5.0
Operating Temperature	-10° C to 40° C	
FOV	Wide: 63° (Horizontal)/80° (Vertical) Tele: 23° (Horizontal)/30° (Vertical)	
Zoom	3x optical zoom	
Focus	Fast hybrid focus	
Interface	DC IN	DC interface with a threaded lock
	MIC IN	3.5mm
	HDMI OUT	HDMI 1.4
	USB-C 3.1	Used for UVC + UAC streaming
	USB-C 2.0	MIC IN (for connecting to the Lark C1 wireless microphone)

Camera Security

Warning:

If you fail to take the following precautions, you may be seriously injured or killed by the electric shock or fire disaster caused, or your VenusLiv Air may be damaged. Please check whether the camera and accessories are intact before using them. For security reasons, only Hollyland accessories that are provided with the camera or genuine ones purchased can be used. The use of any other parts, accessories, or chargers not recommended by Hollyland may cause fire disaster, electric shock, or personal injury. Damage caused by the use of unauthorized accessories is not covered by the warranty. For approved accessories, please visit the Hollyland official website at <https://www.hollyland.com>.

1. Do not touch the plug or adapter with wet hands when connecting the camera to the adapter. Failure to follow this precaution may cause electric shock.
2. Do not place or fix the camera on an unstable surface. Failure to follow this precaution may cause the camera to loosen or fall off, causing an accident or damage to the camera.
3. When using external power supply connection, please follow all the security rules of the third-party power supply device.
4. The lens of the VenusLiv Air is made of glass. If the lens is damaged, please handle it carefully to avoid being scratched by the broken lens/glass and keep it away from children.
5. The temperature of the camera may rise during operation. If this occurs, turn off the camera and leave it to cool before using it again.
6. This product is not a toy and you are solely responsible for complying with all local laws, regulations, and restrictions.
7. Do not use the VenusLiv Air for unauthorized monitoring, candid shooting, or in any way that violates personal privacy regulations. Normally, it is strictly forbidden to use the camera for such purposes. If you fail to follow this precaution, you may bear huge responsibilities and face criminal proceedings.
8. Do not put the camera in extremely cold or hot environments. Extremely cold or hot environments may cause the camera to temporarily stop working properly.

* Note:

There is no protection for the lens of the VenusLiv Air. If you do not pay attention to it, it is easy to cause scratches. Please store the VenusLiv Air in the provided box and avoid placing the lens on any surface. Lens scratches are not covered by the warranty.

Disclaimer

1. Please read and follow all the instructions carefully.
2. Please note all the warnings.
3. Do not use the product near heat sources such as radiators, electric heaters, stoves, or other heat-producing equipment.
4. Use only parts and accessories specified or provided by Hollyland.
5. Please hand over all maintenance work to qualified personnel. No matter what kind of damage the product suffers, such as damage to the power cable or plug, liquid penetration, objects falling into the product, rain, dampness, failure to work normally, or fall, maintenance is required.

Support

If you encounter any problems in using the product or need any help, please contact Hollyland Support Team via the following ways:

 Hollyland User Group

 HollylandTech

 HollylandTech

 HollylandTech

 support@hollyland.com

 www.hollyland.com

Statement

All copyrights belong to Shenzhen Hollyland Technology Co., Ltd. Without the written approval of Shenzhen Hollyland Technology Co., Ltd., no organization or individual may copy or reproduce part or all of any written or illustrative content and disseminate it in any form.

Trademark Statement

All the trademarks are owned by Shenzhen Hollyland Technology Co., Ltd.

Note:

Due to product version upgrades or other reasons, this User Manual will be updated from time to time. Unless otherwise agreed, this document is provided as a guide for use only. All representations, information, and recommendations in this document do not constitute warranties of any kind, express, or implied.

FCC Requirement

Any changes or modifications not expressly approved by the party responsible for compliance could void the user's authority to operate the equipment. This device complies with Part 15 of the FCC Rules. Operation is subject to the following two conditions: (1) this device may not cause harmful interference, and (2) this device must accept any interference received, including interference that may cause undesired operation.

This equipment complies with FCC radiation exposure limits set forth for an uncontrolled environment. This equipment should be installed and operated with a minimum distance of 20cm between the radiator & your body. This transmitter must not be co-located or operating in conjunction with any other antenna or transmitter.

FCC Radiation Exposure Statement:

The device has been tested and found to comply with FCC SAR limits.

Note:

This equipment has been tested and found to comply with the limits for a Class B digital device, pursuant to Part 15 of the FCC Rules. These limits are designed to provide reasonable protection against harmful interference in a residential installation. This equipment generates, uses, and can radiate radio frequency energy and, if not installed and used in accordance with the instructions, may cause harmful interference to radio communications. However, there is no guarantee that interference will not occur in a particular installation. If this equipment does cause harmful interference to radio or television reception, which can be determined by turning the equipment off and on, the user is encouraged to try to correct the interference by one or more of the following measures:

- Reorient or relocate the receiving antenna.
- Increase the separation between the equipment and receiver.
- Connect the equipment into an outlet on a circuit different from that to which the receiver is connected.
- Consult the dealer or an experienced radio/TV technician for help.

