



MARS 300 PRO II

User Guide

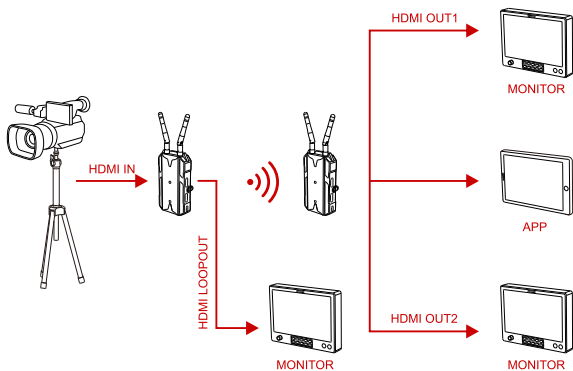
V1.0.1

For the latest and detailed user guide, please download it from the official website:
www.hollyland-tech.com/support/Download

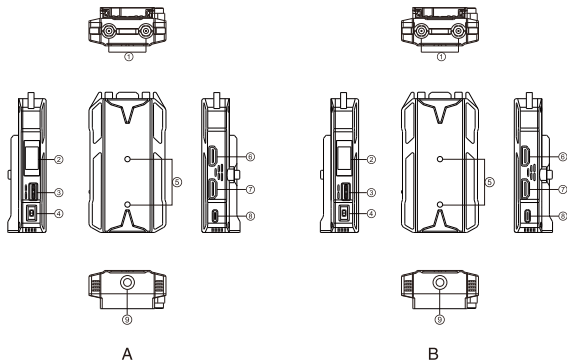
HOLLYLAND

Powered by MOMA

TYPICAL SETUP



PRODUCT INTERFACES



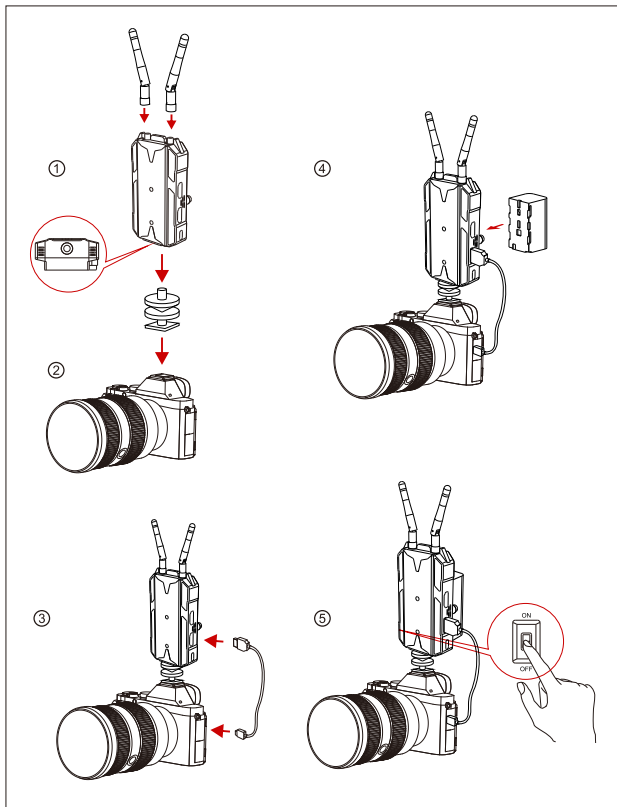
A TRANSMITTER

- ① Antenna Interface
- ② OLED Screen
- ③ Wheel Button
- ④ Power Switch
- ⑤ Mounting Hole of the Expansion Accessory
- ⑥ HDMI Loopout
- ⑦ HDMI Input
- ⑧ USB Type-C Interface
- ⑨ 1/4 Screw Hole

B RECEIVER

- ① Antenna Interface
- ② OLED Screen
- ③ Wheel Button
- ④ Power Switch
- ⑤ Mounting Hole of the Expansion Accessory
- ⑥ HDMI Out
- ⑦ HDMI Out
- ⑧ USB Type-C Interface
- ⑨ 1/4 Screw Hole

INSTALLATION



INSTALLATION

- ① Install the antennas as demonstrated.
- ② Vertical Installation:
Secure the cold shoe with 1/4 screw hole at the bottom of the transmitter and mount it to the camera.
Horizontal Installation:
Connect the expansion accessory to the transmitter's mounting hole and secure the cold shoe with hole at the expansion accessory. Then install them on the camera.
- ③ Connect the HDMI input of the transmitter with camera's by HDMI cable.
- ④ Connect to a power supply (Compatible with NP-F970 or the same series of batteries).
- ⑤ Turn on the devices.

■ ENTER MENU

Long press the wheel button for about 3 seconds to enter the root menu interface.

Push up or down the wheel button to switch the menu page, press down the wheel button to confirm.

■ CHANNEL CHANGE

Push up or down the wheel button to change the channel at receiver or transmitter. Press down the wheel button to confirm the channel, the channel of the transmitter and receiver will be changed automatically and synchronously.

■ IOS System and Android System Installation and Connection

1. "HollyView" APP Download



2. Enter the WiFi connection interface of the phone. Find the device's WiFi (WiFi names as "HLD+Device ID"). Input WiFi password to connect (Factory default password: 12345678). After the WiFi connection is successful, enter the APP to monitor the screen.

SUPPORT

If encounter any problems in using the product or need any help, please follow these ways to get more technical support:

 Hollyland Products User Group

 HollylandTech

 HollylandTech

 support@hollyland-tech.com

 www.hollyland-tech.com

FCC Requirement

Any changes or modifications not expressly approved by the party responsible for compliance could void the user's authority to operate the equipment. This device complies with Part 15 of the FCC Rules. Operation is subject to the following two conditions:

- (1) this device may not cause harmful interference, and
- (2) this device must accept any interference received, including interference that may cause

undesired operation. Note: This equipment has been tested and found to comply with the limits for a Class B digital device, pursuant to Part 15 of the FCC Rules. These limits are designed to provide reasonable protection against harmful interference in a residential installation. This equipment generates, uses, and can

radiate radio frequency energy, and if not installed and used in accordance with the instructions, may cause harmful interference to radio communications. However, there is no guarantee that

interference will not occur in a particular installation. If this equipment does cause harmful

interference to radio or television reception, which can be determined by turning the equipment off

and on, the user is encouraged to try to correct the interference by one or more of the following

measures: – Reorient or relocate the receiving antenna. – Increase the separation between the equipment and receiver. – Connect the equipment into an outlet on a circuit different from that to which the receiver is connected. – Consult the dealer or an experienced radio/TV technician for help.

This equipment complies with FCC radiation exposure limits set forth for an uncontrolled environment. This equipment should be installed and operated with a minimum distance of 20cm between the radiator & your body. This transmitter must not be co-located or operating in conjunction with any other antenna or transmitter.



 Hollyland Products User Group

 HollylandTech

 HollylandTech

 support@hollyland-tech.com

 www.hollyland-tech.com

SHENZHEN HOLLYLAND TECHNOLOGY CO., LTD

8F, 5D Building, Skyworth Innovation Valley, Tangtou, Shiyan, Baoan District Shenzhen, China.