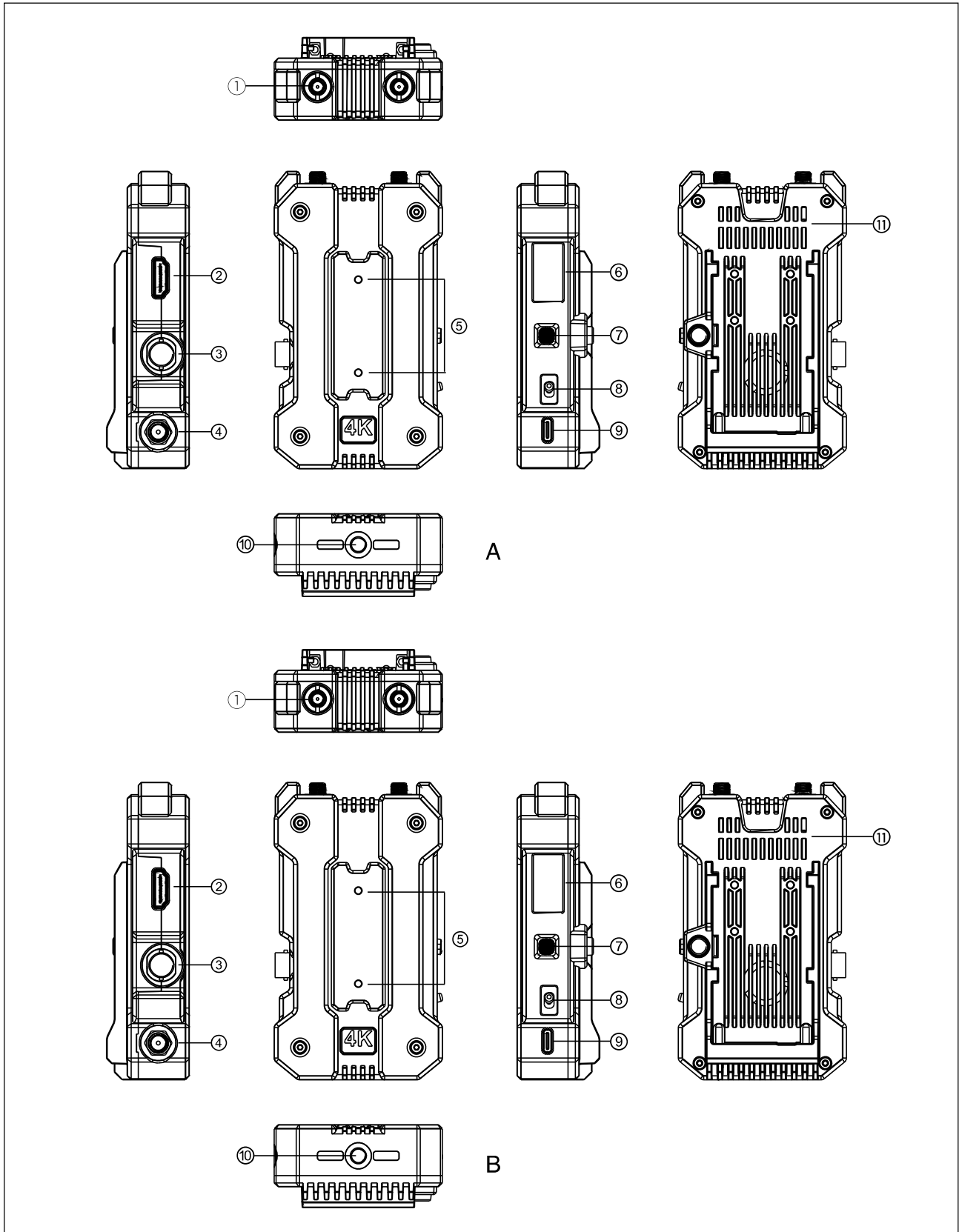


PRODUCT INTERFACE



PRODUCT INTRODUCTION

A Transmitter:

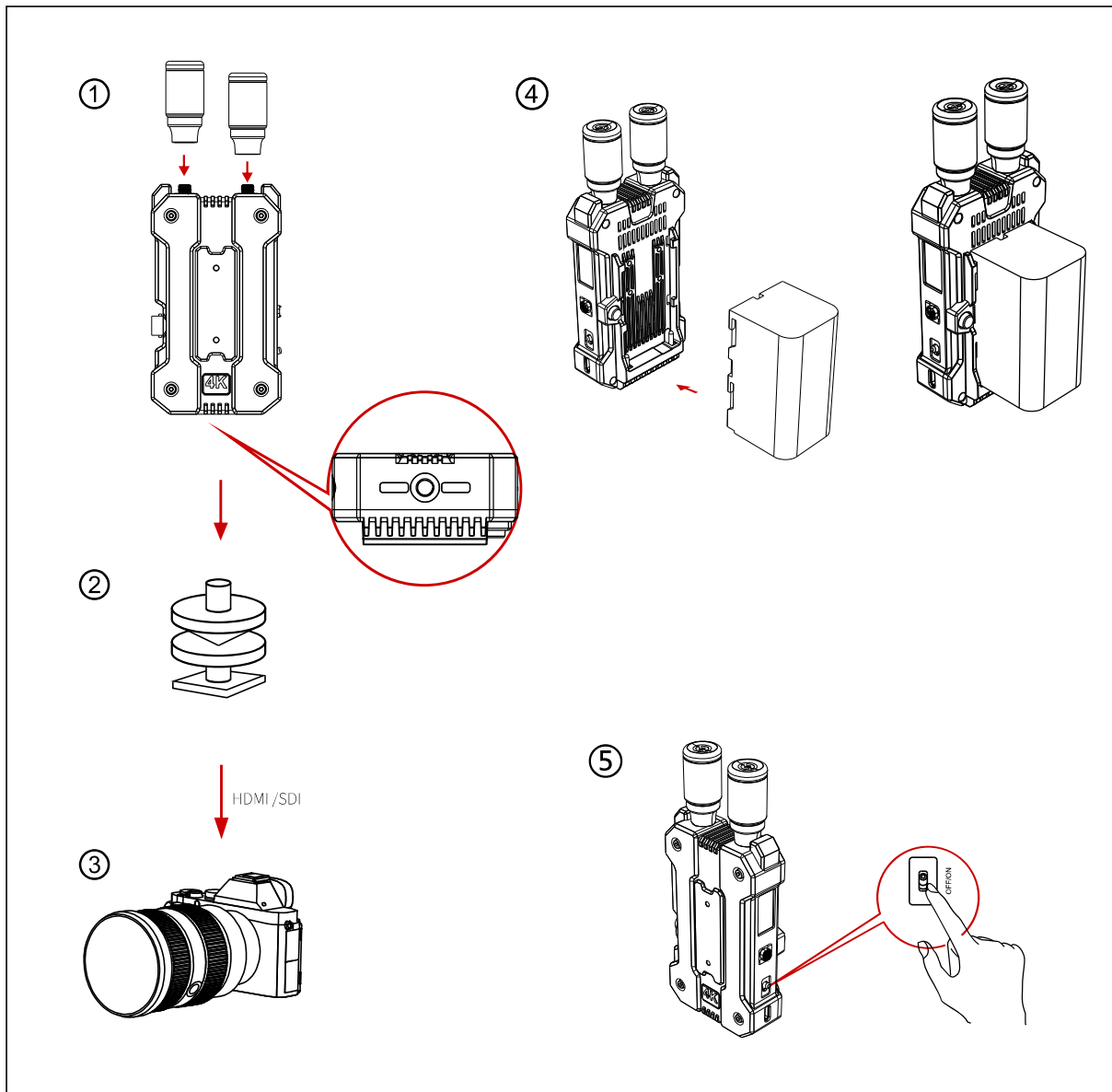
- ① Antenna Port
- ② HDMI Input
- ③ SDI Input
- ④ DC Power Input
- ⑤ Expansion Accessories Mounting Hole
- ⑥ Colorful LCD Display
- ⑦ Menu Button
- ⑧ Power Switch
- ⑨ USB-C Interface
- ⑩ 1/4 Threaded Hole
- ⑪ Outlet

B Receiver:

- ① Antenna Port
- ② HDMI Output
- ③ SDI Output
- ④ DC Power Input
- ⑤ Expansion Accessories Mounting Hole
- ⑥ Colorful LCD Display
- ⑦ Menu Button
- ⑧ Power Switch
- ⑨ USB-C Interface
- ⑩ 1/4 Threaded Hole
- ⑪ Outlet

INSTALLATION

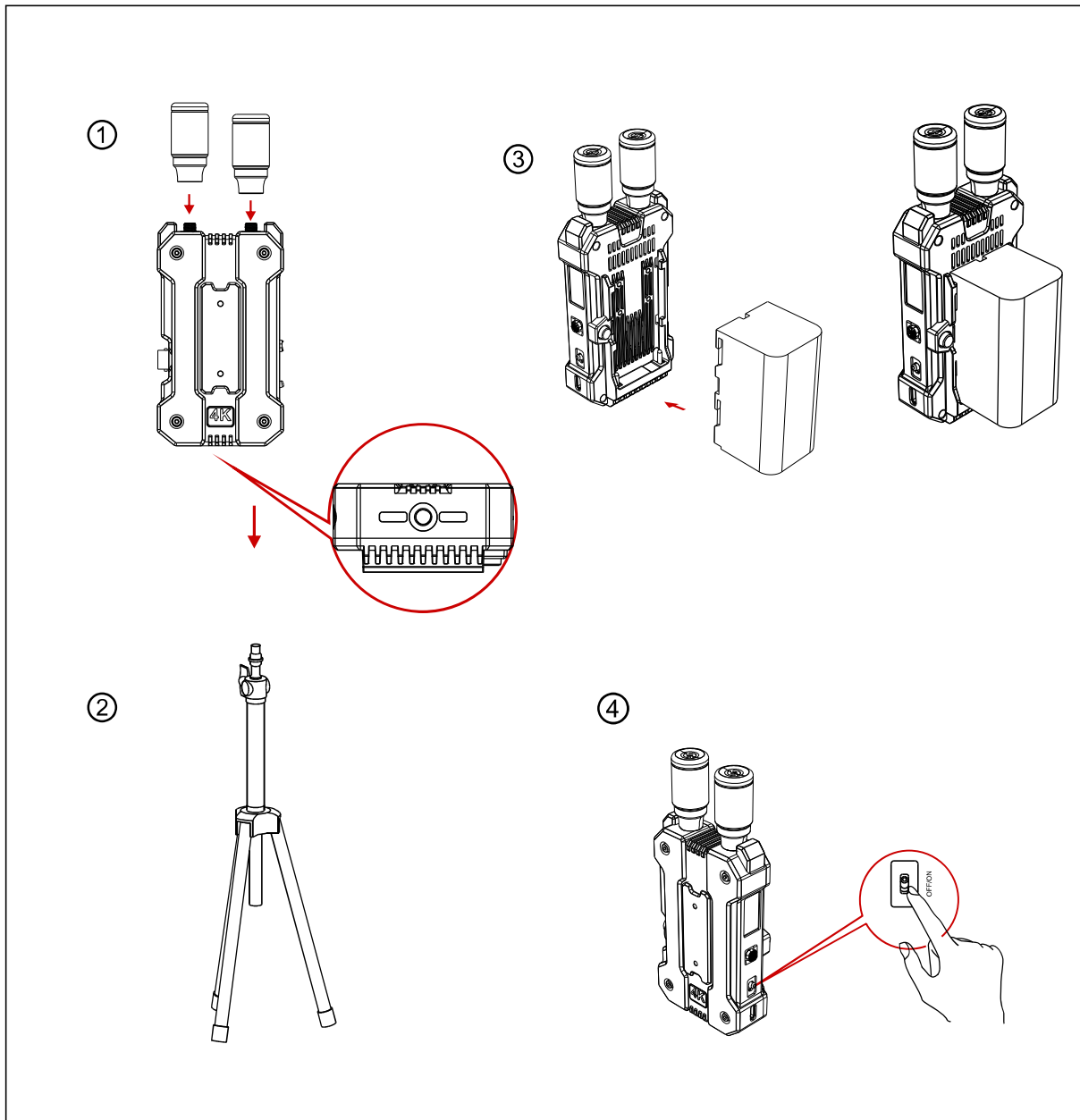
INSTALLATION OF TRANSMITTER



- ① Install the antenna shown in the picture.
- ② Install the transmitter to the camera with the cold shoe.
- ③ Connect the transmitter to the corresponding interface of the camera with an HDMI cable or SDI cable.
- ④ Install the battery (compatible with NP-F970, or others of the same series).
- ⑤ Push the power switch up to turn on the device.

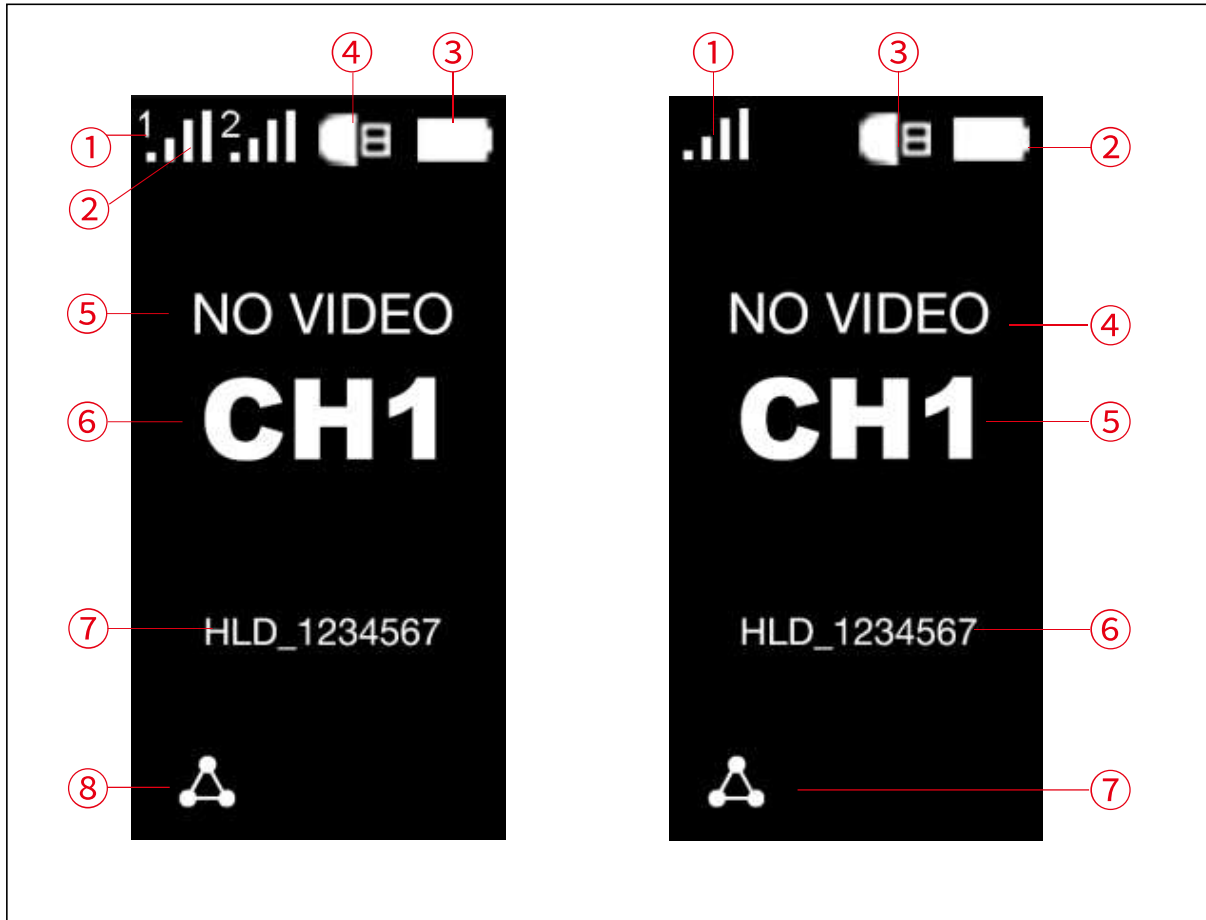
INSTALLATION

INSTALLATION OF RECEIVER



- ① Install the antenna shown in the picture.
- ② Install the receiver onto the stand through the 1/4 threaded hole on the bottom of the device.
- ③ Install the battery (compatible with NP-F970, or others of the same series).
- ④ Push the power switch up to turn on the device.

OLED DISPLAY



A Transmitter:

- ① Receiver Device Number
- ② Signal Strength
- ③ Indicator of Power Supply
- ④ USB Plugged In
- ⑤ Video Format
- ⑥ Channel Display
- ⑦ Device Wi-Fi ID
- ⑧ Application Scene Mode

B Receiver:

- ① Signal Strength
- ② Indicator of Power Supply
- ③ USB Plugged In
- ④ Video Format
- ⑤ Channel Display
- ⑥ Device Wi-Fi ID
- ⑦ Application Scene Mode