



Solidcom SE

Quick Guide

V1.0

Foreword

Thank you for choosing the **Solidcom SE** for on-site communication. If you have never used a wireless intercom system before, then you are about to experience one of the most exciting products in the industry. This Quick Guide will show you how to get started with the product.

EN Please read this Quick Guide carefully. We wish you a pleasant experience. To obtain Quick Guide information in other languages, please scan the QR code below.

DE Bitte lesen Sie diese Kurzanleitung gründlich. Wir wünschen Ihnen ein angenehmes Erlebnis. Für die Kurzanleitung in einer anderen Sprache scannen Sie bitte den folgenden QR-Code.

ES Lea atentamente esta Guía rápida. Le deseamos una agradable experiencia. Para obtener información de la Guía rápida en otros idiomas, escanee el código QR que aparece a continuación.

FR Veuillez lire attentivement ce guide rapide. Nous espérons que votre expérience sera des plus agréables. Pour obtenir des informations sur le guide rapide dans d'autres langues, veuillez scanner le code QR ci-dessous.

IT Leggi questa Guida introduttiva rapida. Ti auguriamo un'esperienza piacevole. Per ottenere informazioni sulla Guida introduttiva rapida in altre lingue, scansiona il codice QR qui sotto.

PT Leia este Guia Rápido com cuidado. Desejamos que você tenha uma experiência agradável. Para obter informações do Guia Rápido em outros idiomas, digitalize o código QR abaixo.

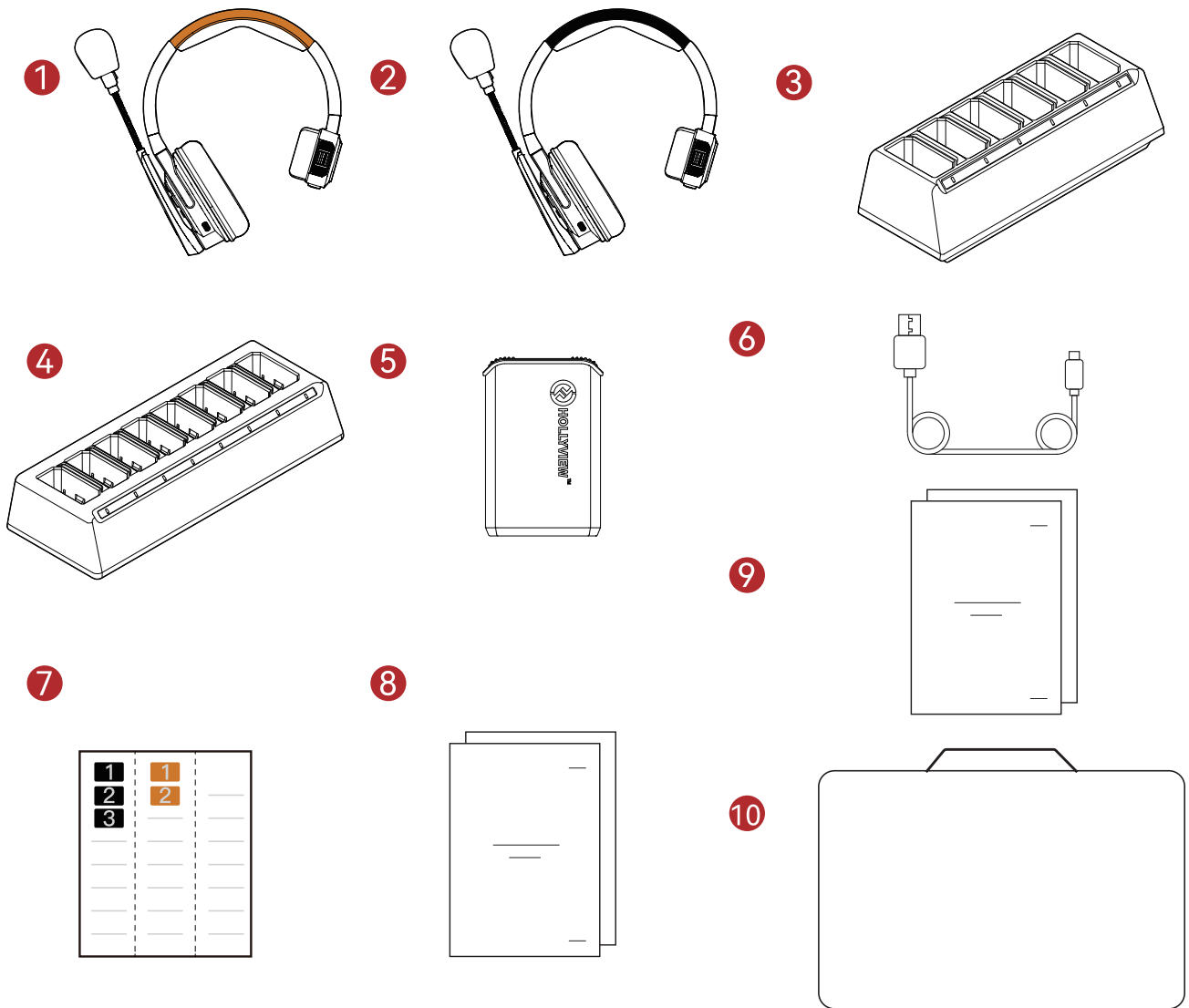
TC 請仔細閱讀本快速指南。我們祝您體驗愉快。若要取得其他語言的快速指南資訊，請掃描下面的 QR 碼。

KR 이 빠른 가이드를 주의 깊게 읽으십시오. 즐거운 경험 되시길 바랍니다. 빠른 가이드 정보를 다른 언어로 알아보려면 아래 QR 코드를 스캔하십시오.

JP クイックガイドを熟読してください。ご体験をお楽しみください。他の言語でクイックガイド情報を取得するには、以下のQRコードをスキャンしてください。



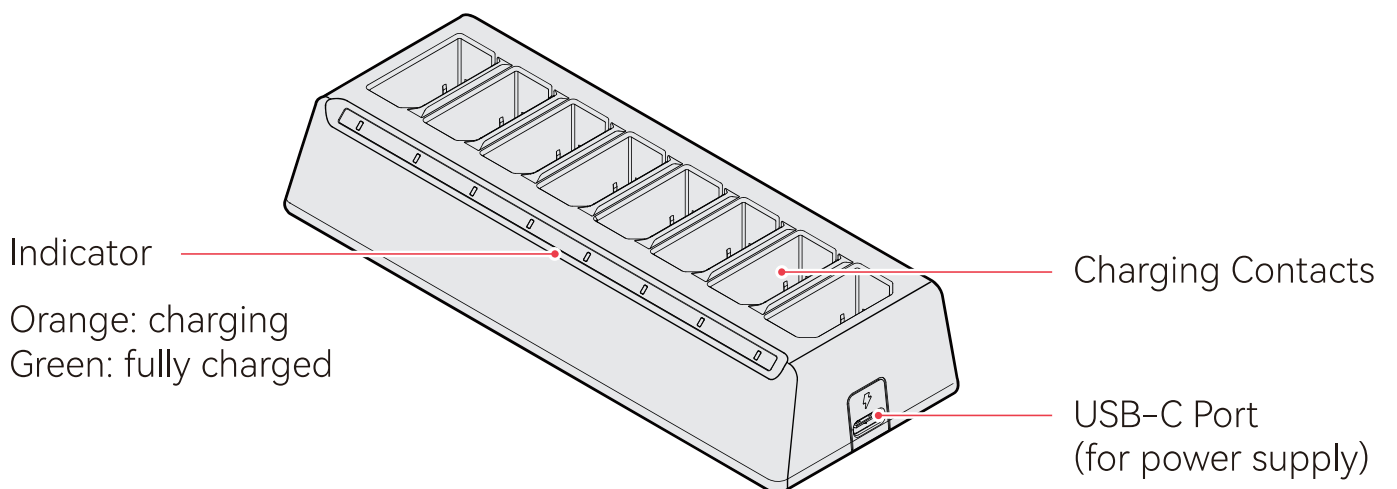
Configuration



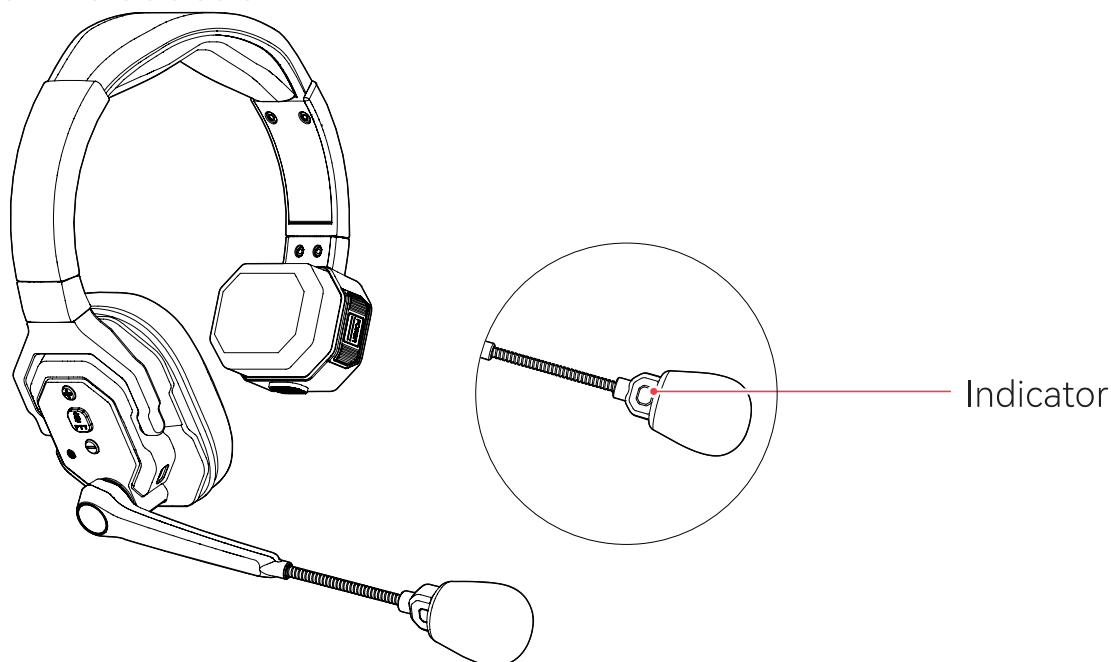
SKU	2S	3S	4S	6S	8S
① Master Headset (Brown)	1	1	1	1	1
② Remote Headset (Black)	1	2	3	5	7
③ 6-Slot Charging Base	1	1	1	1	-
④ 8-Slot Charging Base	-	-	-	-	1
⑤ Li-ion Battery Pack 770	2	3	4	6	8
⑥ USB-A to USB-C Cable	1	1	1	1	1
⑦ Number Stickers 01	1	1	1	1	1
⑧ Quick Guide & Packing List Card	1	1	1	1	1
⑨ Warranty Card & Compliance Information	1	1	1	1	1
⑩ Carrying Case	1	1	1	1	1

Note: The quantity of the items depends on the product configuration detailed on the packing list card.

Overview



Indicator Introduction



- ① Disconnected*: slowly flashing green light
- ② Pairing: rapidly flashing green light
- ③ TALK Status: solid green light
- ④ MUTE Status: solid red light
- ⑤ Low Battery: slowly flashing red light
- ⑥ USB-C Charging:
 - A. Charging While Powered On: slowly flashing yellow light for 3s before returning to the former light
 - B. Charging While Powered Off: slowly flashing yellow light
- ⑦ USB-C Fully Charged: solid yellow light
- ⑧ Upgrading: alternately flashing red and green light

Notification Sound Introduction

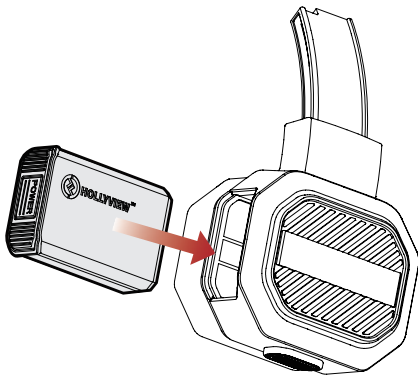
- ① Low Battery: low battery level
- ② Ding: maximum volume
- ③ Tick: mic boom in position of mic on or off
- ④ Connected: device connected
- ⑤ Disconnected: device disconnected
- ⑥ Unmuted: mic on
- ⑦ Muted: mic off

* While disconnected, the remote headset shows slowly flashing green light while the master headset shows solid green light.

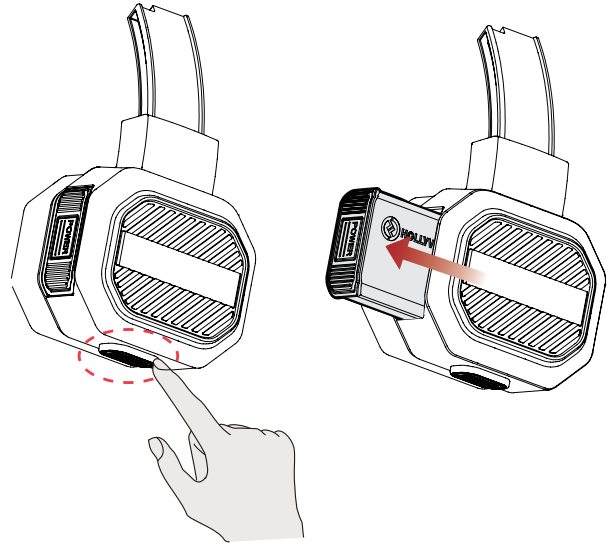
Operations

① Installing and removing the battery

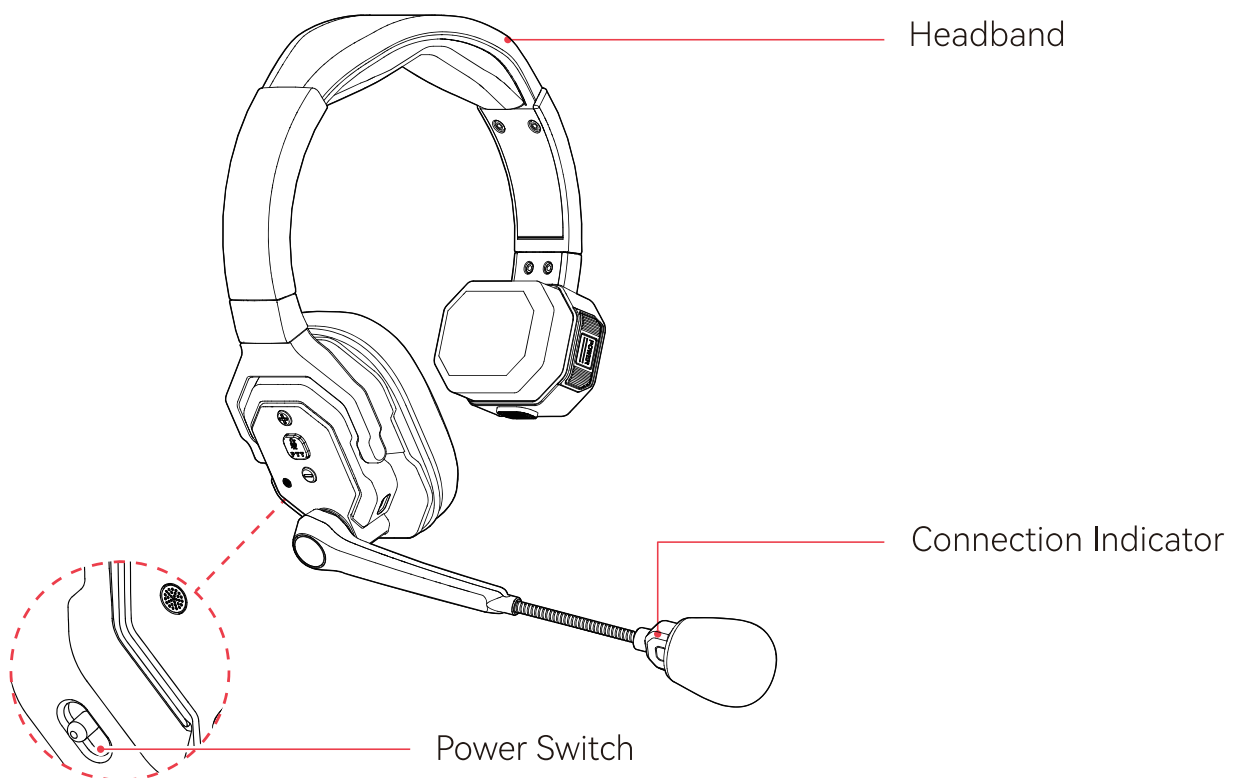
■ Place the battery into the battery compartment for installation.



■ Press the battery compartment button to pop out the battery for removal.



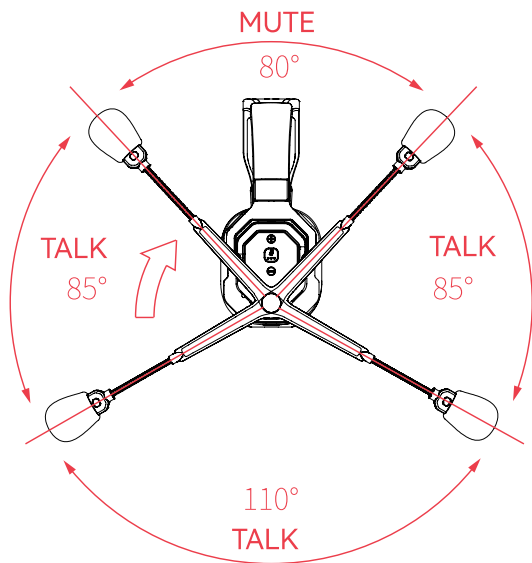
② Turning on the device and confirming connection



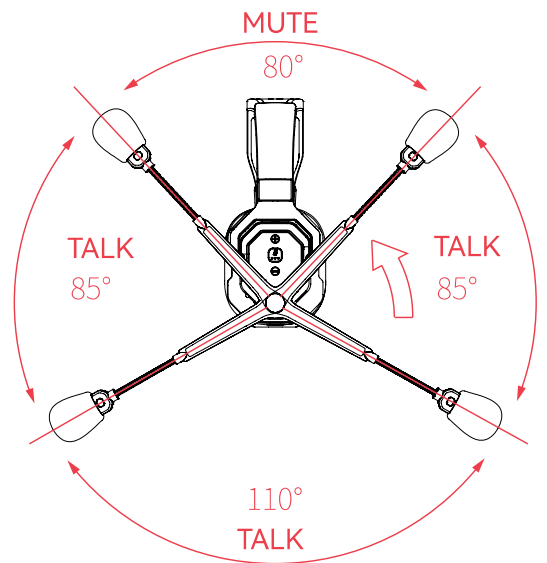
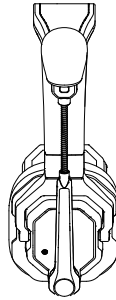
1. Toggle the power switch to turn on the headsets.
2. The indicator light changing from flashing green to solid green indicates successful connection.
3. The master headset has a brown headband while the remote headset has a black headband.

Operations

③ Turning on the microphone



Clockwise



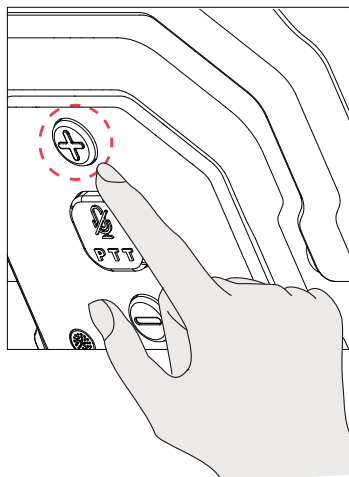
Counterclockwise

④ Beginning your work

Headset Pairing

All remote headsets are prepared with the master headset at the factory, so they are ready to use upon power on. Pairing is only necessary when adding new headsets to an existing system. Ensure that the master headset and all remote headsets are powered on while pairing.

1. Long press the volume + button on both the master and remote headsets for 5s and the indicator lights will flash rapidly.
2. The indicator lights turning solid indicates successful connection.
3. One master headset can connect to up to seven remote headsets.



Specifications

Product Name	Solidcom SE
LOS Range	1,100ft (350m)
Operating Frequency	1.9 GHz (DECT)
Modulation Mode	GFSK
Transmit Power	FP:19.34dBm (FCC) , PP:19.68dBm (FCC);
Receiver Sensitivity	< -90 dBm
Battery Capacity	770 mAH (2.926Wh)
Charging Time	< 3 hours
Frequency Response	150 Hz - 7 kHz (± 10 dB)
SNR	71 \pm 2dB @94dB SPL, 1 kHz
Distortion	< 1% @94dB SPL, 150 Hz - 7 kHz
Microphone Type	Electret
Maximum Input SPL	> 115dB SPL
Output SPL	98dB SPL (@94dB SPL, 1kHz)
Environmental Noise Reduction	> 20dB (from all directions)
Weight	\approx 185.2g (with battery)
Temperature	0 - 45°C (working) -10 - 60°C (storage)

Note: Due to differences in various countries and regions, there may be variations in the operating frequency and wireless transmit power of the product.

Specifications

Product Name	6-Slot Charging Base	8-Slot Charging Base
Port	USB-C Port; Charging Contacts	
Dimensions	119.3 × 57.6 × 34.6mm (4.7 × 2.3 × 1.4in.)	154.5 × 57.6 × 34.6mm (6.1 × 2.3 × 1.4in.)
Weight	91.1g	121.6g
Charging Power	≤ 10W	
Power Supply	4.75 - 5.25V	
Charging Current	≤ 380mA/Slot	
Charging Time	< 3 hours (6 batteries)	< 4 hours (8 batteries)
Temperature	0 - 45°C (working) -20 - 60°C (storage)	

Safety Precautions

Do not place the device near or inside heating devices (including but not limited to microwave ovens, induction cookers, electric ovens, electric heaters, pressure cookers, water heaters, and gas stoves) to prevent the battery from overheating and exploding. Use the original charger, data cables, and batteries provided with the product. Using unauthorized or incompatible chargers, data cables, or batteries may cause electric shock, fire, explosion, or other dangers.

Support

If you encounter any problems in using the product or need any help, please contact Hollyland Support Team via the following ways:



Hollyland User Group



HollylandTech



HollylandTech



HollylandTech



support@hollyland.com



www.hollyland.com

Statement:

All copyrights belong to Shenzhen Hollyland Technology Co., Ltd. Without the written approval of Shenzhen Hollyland Technology Co., Ltd., no organization or individual may copy or reproduce part or all of any written or illustrative content and disseminate it in any form.

Trademark Statement:

All the trademarks are owned by Shenzhen Hollyland Technology Co., Ltd.

Note:

Due to product version upgrades or other reasons, this Quick Guide will be updated from time to time. Unless otherwise agreed, this document is provided as a guide for use only. All representations, information, and recommendations in this document do not constitute warranties of any kind, express or implied.

HOLLYVIEW

Powered by Hollyland

Manufacturer: Shenzhen Hollyland Technology Co., Ltd.
Address: 8F, 5D Building, Skyworth Innovation Valley, Tangtou
Road, Shiyan Street, Baoan District, Shenzhen, 518108, China
MADE IN CHINA

P/N : 3003080484