

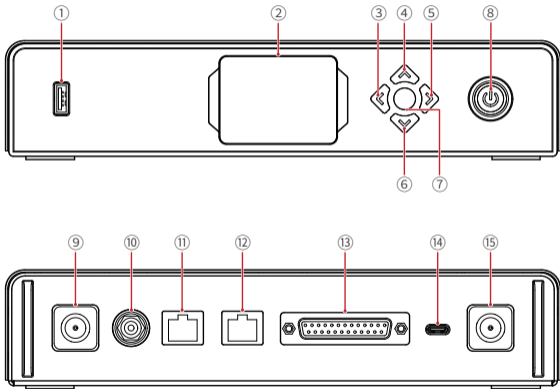


Wireless Tally System

Quick Guide

V1.0

Product Overview

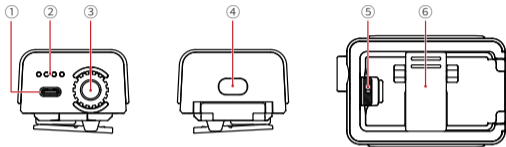


Product Overview

Tally Box

- ① USB Port
- ② Display Screen
- ③ Left Key
- ④ Up Key
- ⑤ Right Key
- ⑥ Down Key
- ⑦ Menu/Confirm Button (Press and hold the button to enter the menu interface/ Press the button for confirmation)
- ⑧ Power Button (Red: Off; Green: On)
- ⑨ Antenna Connector
- ⑩ DC-IN
- ⑪ Tally IN Ethernet port
- ⑫ Switcher Loopout Ethernet Port
- ⑬ Tally IN GPIO Port
- ⑭ USB-C Port
- ⑮ Antenna Connector

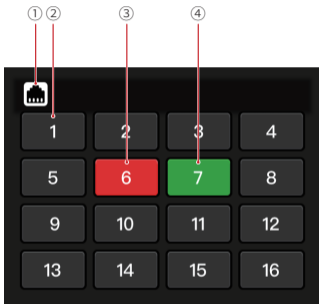
Product Overview



Tally Lamp

- ① USB-C Port (for charging and upgrading)
- ② Battery Level LED
- ③ Tally Lamp Number Control
- ④ Power Button (Press and hold for 3s to power on/off; double press after power on to adjust tally lamp brightness)
- ⑤ Battery Compartment Switch
- ⑥ Back Clip

Product Introduction



Tally Box Interface

- ① Ethernet Connection Status
- ② Tally Lamp Normal Status

- ③ Tally Lamp PGM Status
- ④ Tally Lamp PVW Status

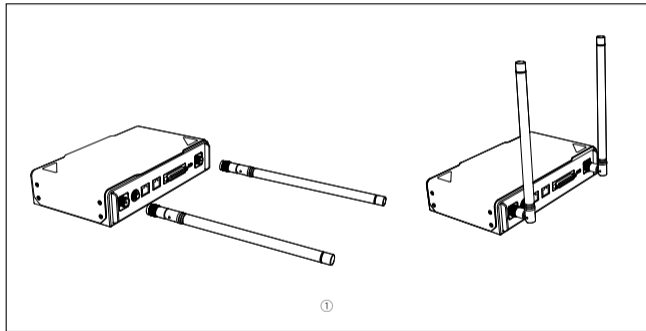
Product Introduction

Tally Lamp Colors

Solid	Colorless	Non-PGM/PVW
	Red	PGM
	Green	PVW
Quick Flash	Green	Tally lamp upgrading
Slow Flash	Yellow	Tally lamp not connected, and brightness adjusted to the first level

Product Installation

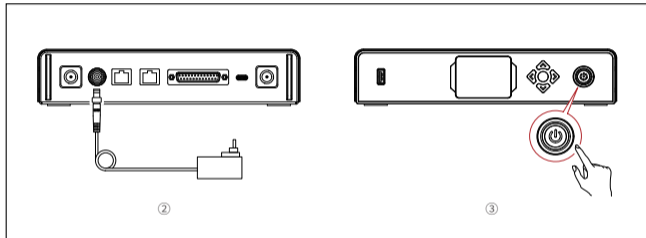
Tally Box



1. Install the antennas as shown in the figure

Product Installation

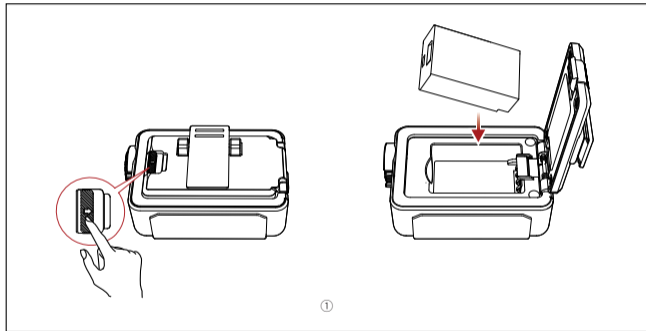
Tally Box



2. Connect the power adapter
3. Press the power button to turn the box on

Product Installation

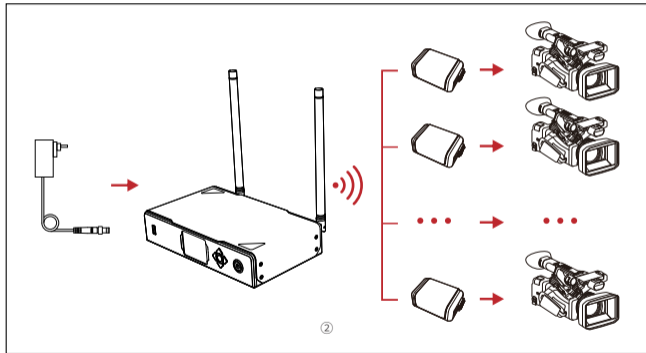
Tally Lamp



1. Install the battery

Product Installation

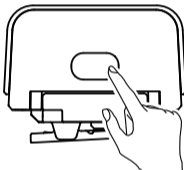
Tally Lamp



2. Install the lamp on the shooting device as shown in the figure

Product Installation

Tally Lamp



③

3. Press the power button for 3 seconds to turn on the lamp

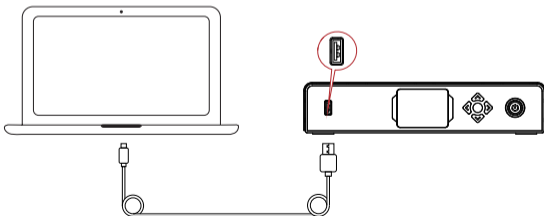
Firmware Upgrade

Upgrade the firmware of Tally Box

Note:

The firmware installation file for the box can be obtained from Hollyland's technical support or official website.

- ① Download the firmware upgrade program and the new firmware to your computer; then open the program.
- ② Connect the box and computer through a USB-A cable. Wait for the firmware upgrade program to detect the connection.



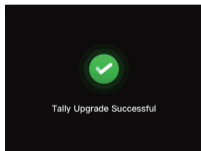
Firmware Upgrade

Upgrade the firmware of Tally Box

- ③ Click **Yes** to start the upgrade process. Do not turn off the box or unplug the USB-A cable during the process to avoid upgrade failures.



- ④ After the upgrade process is complete, the program and box will display **Tally Upgrade Successful**; then you can unplug the USB-A cable.

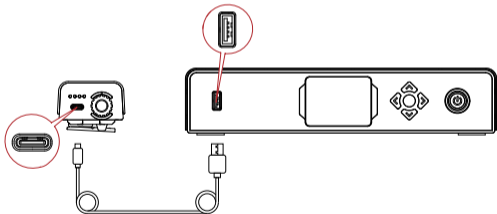


Firmware Upgrade

Upgrade the firmware of Tally Lamp

Note: Before upgrading, please ensure the box has been upgraded.

- ① Connect the lamp and box through a USB-C to USB-A cable. Wait for the box to display the upgrade interface.



Firmware Upgrade

Upgrade the firmware of Tally Lamp

- ② Click **Yes** to start the upgrade process. Do not turn off the box or lamp or unplug the USB cable during the process to avoid upgrade failures.
- ③ During the upgrade process, the Tally lamp will flash green rapidly until the upgrade is complete.
- ④ After the upgrade process is complete, the box will display **Tally Upgrade Successful**, and the lamp will return to its former working state after a steady green light for 3 seconds.

Specifications

	Tally Lamp	Tally Box
Transmission Range	Up to 2,625ft (800m) for LOS	
Wireless Frequency	2.4 GHz	
Modulation Mode	GFSK	
Receiver Sensitivity	< -115 dBm	
Transmission Delay	< 150ms	
Battery Life	> 8 hours	
Dimensions (L*W*H)	77.8 * 50.5 * 37.4mm	142.5 * 232.8 * 50.1mm
Weight	about 85g	about 1262g
Temperature	Working: 32°F to 113°F (0°C to 45°C) Storage: 14°F to 140°F (-10°C to 60°C)	
ESD Protection	Air discharge: ± 8KV Contact discharge: ± 6KV	





Safety Precautions

Do not place the product near or inside heating devices (including but not limited to microwave ovens, induction cookers, electric ovens, electric heaters, pressure cookers, water heaters, and gas stoves) to prevent the battery from overheating and exploding.

Please use the original adapter, cable, and battery. The use of non-original adapters, cables, or batteries may cause electric shock, fire, explosion, or other dangers.

Support

If you encounter any problems in using the product or need any help, please contact Hollyland Support Team via the following ways:

-  Hollyland User Group
-  HollylandTech
-  HollylandTech
-  HollylandTech
-  support@hollyland.com
-  www.hollyland.com

Statement

All copyrights belong to Shenzhen Hollyland Technology Co., Ltd.

Trademark Statement

Without the written approval of Shenzhen Hollyland Technology Co., Ltd., no organization or individual may copy or reproduce part or all of any written or illustrative content and disseminate it in any form.

Note:

Due to product version upgrades or other reasons, this Quick Guide will be updated from time to time. Unless otherwise agreed, this document is provided as a guide for use only. All representations, information, and recommendations in this document do not constitute warranties of any kind, express or implied.

FCC Requirement

Any changes or modifications not expressly approved by the party responsible for compliance could void the user's authority to operate the equipment. This device complies with Part 15 of the FCC Rules.

Operation is subject to the following two conditions:

- (1) this device may not cause harmful interference, and
- (2) this device must accept any interference received, including interference that may cause undesired operation.

FCC Radiation Exposure Statement:

The device has been tested and complies with FCC SAR limits.

Note:

This equipment has been tested and found to comply with the limits for a Class B digital device, pursuant to Part 15 of the FCC Rules. These limits are designed to provide reasonable protection against harmful interference in a residential installation. This equipment generates, uses, and can radiate radio frequency energy and, if not installed and used in

FCC Requirement

accordance with the instructions, may cause harmful interference to radio communications. However, there is no guarantee that interference will not occur in a particular installation. If this equipment does cause harmful interference to radio or television reception, which can be determined by turning the equipment off and on, the user is encouraged to try to correct the interference by one or more of the following measures:

- Reorient or relocate the receiving antenna.
- Increase the separation between the equipment and receiver.
- Connect the equipment into an outlet on a circuit different from that to which the receiver is connected.
- Consult the dealer or an experienced radio/TV technician for help.

This equipment complies with FCC radiation exposure limits set forth for an uncontrolled environment. This equipment should be installed and operated with a minimum distance of 20cm between the radiator & your body. This transmitter must not be co-located or operating in conjunction with any other antenna or transmitter.

HOLLYVIEW

Powered by Hollyland