

TECNO MOBILE LIMITED

Address: FLAT N 16/F BLOCK B UNIVERSAL INDUSTRIAL CENTRE 19-25 SHAN MEI STREET FOTAN NT HONGKONG

Tel.: +86-0755-61803856

E-mail: yiting.luo@transsion.com

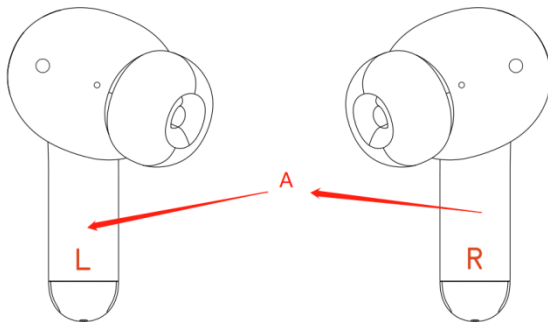
Date: 2023-05-08

FCC certification No. Cover Letter

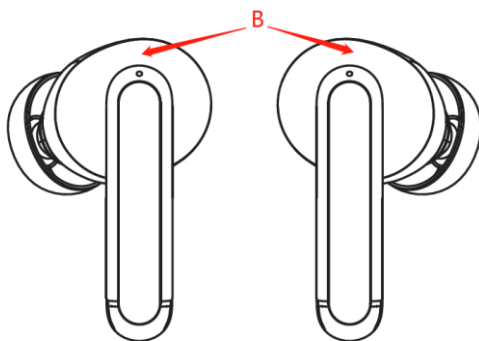
We, TECNO MOBILE LIMITED, hereby submit justification for placing the FCC certification No. in the associated user's manual and charging case.

According to the FCC regulation, the FCC certification No. should be printed on the earbuds, but as the earbuds are too small to print the label (FCC ID: 2ADYY-SC01P), it will be moved to the user manual and charging case. The details are as below:

- A. Side surface (A): The side surface does not provide enough physical space to fit the printing of the FCC certification No. according to below reference picture.

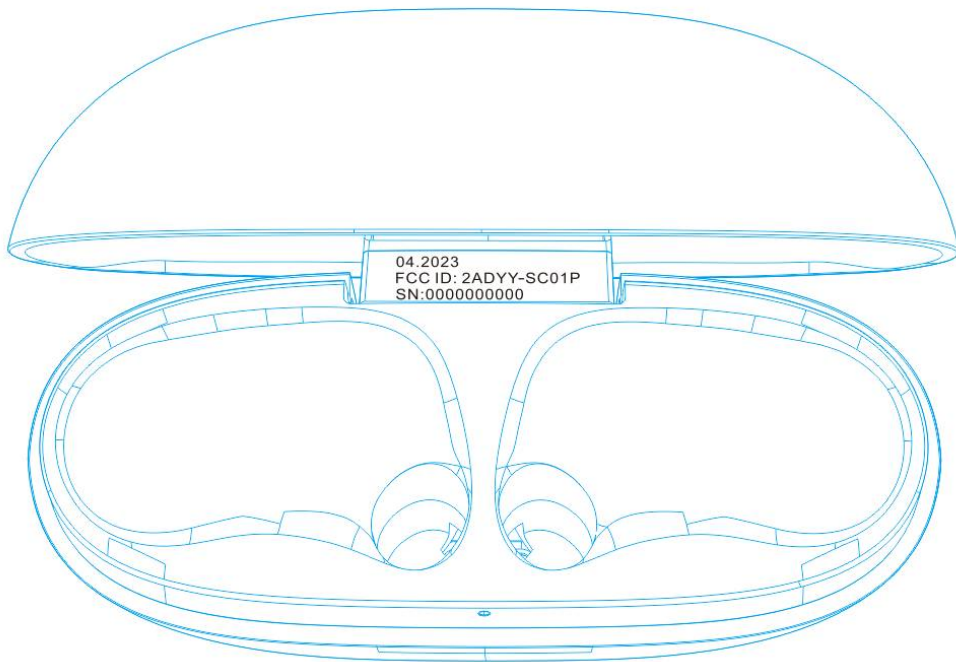
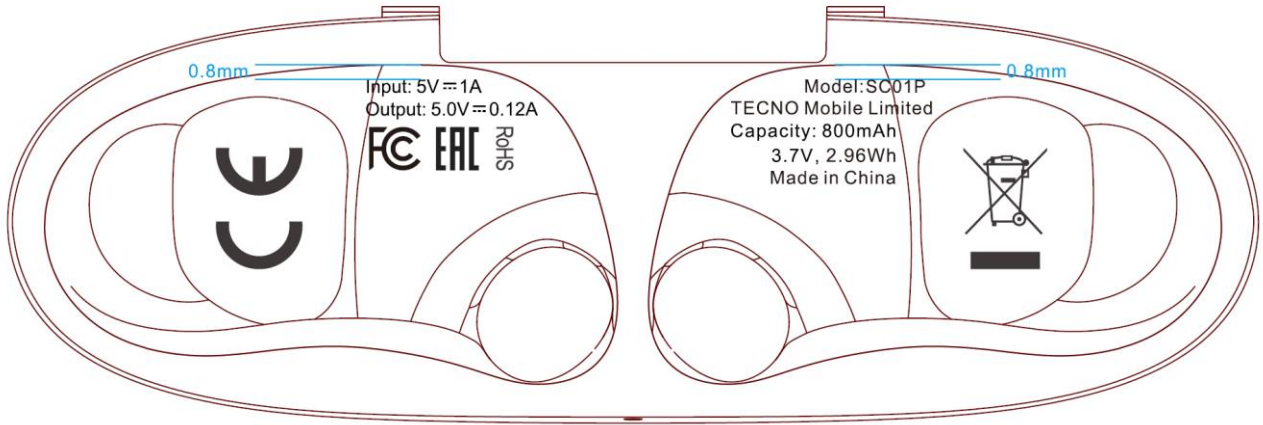


- B. Top cover (B): The top cover does not provide enough physical space to fit the printing of the FCC certification No. according to below reference picture.



Conclusion: Based on the above description of area A to B, we conclude that the device is unquestionably too small for enabling the FCC certification No. to be printed onto any surface. We therefore request to move the FCC certification No. to the user's manual and charging case.

Label and label location:



Sincerely Yours,
Signature

Yiting Luo

Yiting Luo
Project Manager