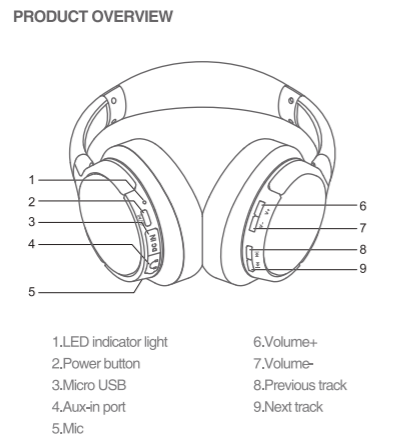


**SPECIFICATION**

Bluetooth Standard:	V 5.0(BDR,EDR,BLE1M)
Receiving range:	10 m
Size:	79.5X185X159mm
Working voltage:	5 V
Battery alarm voltage:	3.2 V
Play time:	about 47 hours
Charging voltage:	DC 5V
Charging port:	Micro USB port
Charging current:	420mA
Charging time:	2 hours
Battery display:	Sync ISO battery



**CUSTOMER SERVICE**

**365 DAYS** **TECNO WARRANTY**

**Caricare provides service**

**WARRANTY CERTIFICATE**

Name:	
Address:	
Tel. No:	
Date of purchase: (dd/mm/yy)	
Store name:	
S/N:	

**WARRANTY TERMS & CONDITIONS**

**365 DAYS WARRANTY**  
Please keep well your receipt, this warranty covers only original TECNO products. It is not applicable to normal wear and tear, or any effects or damage caused by misuse of the product. Warranty is for primary product only. Additional or free of cost products are not covered under warranty.

**TECNO MOBILE LIMITED**

TM and ©2019 TECNO Corporation. All rights reserved. Other product and company names mentioned herein may be trademarks or trade names of their respective owners. Specifications are subject to change without notice. Model names and the availability of particular products may vary by region.

**FCC Caution:**  
Any Changes or modifications not expressly approved by the party responsible for compliance could void the user's authority to operate the equipment.  
This device complies with part 15 of the FCC Rules. Operation is subject to the following two conditions: (1) This device may not cause harmful interference, and (2) this device must accept any interference received, including interference that may cause undesired operation.

**IMPORTANT NOTE:**  
Note: This equipment has been tested and found to comply with the limits for a Class B digital device, pursuant to part 15 of the FCC Rules. These limits are designed to provide reasonable protection against harmful interference in a residential installation. This equipment generates, uses and can radiate radio frequency energy and, if not installed and used in accordance with the instructions, may cause harmful interference to radio communications. However, there is no guarantee that interference will not occur in a particular installation. If this equipment does cause harmful interference to radio or television reception, which can be determined by turning the equipment off and on, the user is encouraged to try to correct the interference by one or more of the following measures:  
—Reorient or relocate the receiving antenna.  
—Increase the separation between the equipment and receiver.  
—Connect the equipment into an outlet on a circuit different from that to which the receiver is connected.  
—Consult the dealer or an experienced radio/TV technician for help.

**FCC Radiation Exposure Statement:**  
This equipment complies with FCC radiation exposure limits set forth for an uncontrolled environment.



www.tecno-mobile.com

**Nightingale N1**



**USER MANUAL**

**Wireless headset Nightingale N1**

Hereby, **TECNO MOBILE LIMITED**,  
**Declares that this Wireless headset is in compliance with the essential requirements and other relevant provisions of directive 2014/53/EU.**

**CAUTION:**  
1. Risk of explosion if battery is replaced by an incorrect type, dispose of used batteries according to the instructions.  
2. The product shall only be connected to a USB interface of version USB2.0  
3. Adapter shall be installed near the equipment and shall be easily accessible.  
4. EUT Temperature: 0 C ~ +45 C.

Figure 1-Warning label(IEC 60417-6044)

Operating Frequency:  
BT: 2402-2480MHz

Modulation mode:  
GFSK, z/4- DQPSK, 8DPSK  
GFSK

RF output power:  
BT: 0-10dBm

**EU DECLARATION OF CONFORMITY**

in accordance with Annex VI of Directive 2014/53/EU of the European Parliament and of the Council  
1. For the following Radio equipment:  
Model: N1  
Product: Wireless headset  
Trade name or Brand: TECNO  
Software / Hardware number: 551-BES2300IH/V01

2. Name and address of the manufacturer or his authorised representative:  
Manufacturer: TECNO MOBILE LIMITED  
Add: ROOM 604 6/F SOUTH TOWER WORLD FINANCE CTR HARBOUR CITY 17 CANTON ROAD TST KL.

3. This declaration of conformity is issued under the sole responsibility of the Manufacturer.

4. Object of the declaration (identification of the radio equipment allowing traceability; it may include a colour image of sufficient clarity where necessary for the identification of the radio equipment):

5. The object of the declaration described above is in conformity with the relevant Union harmonization legislation: Directive 2014 /53/EU (RED)

6. References to the relevant harmonised standards used or references to the other technical specifications in relation to which conformity is declared:

Article 3.1a Health: EN 62479:2010

Article 3.1a Electrical Safety: EN62368-1:2014+A11:2018

Article 3.1b: ETSI EN 301 489-1 V2.2.3 (2019-11)  
Draft ETSI EN 301 489-17 V3.2.0 (2017-03)

Article 3.2: ETSI EN 300 328 V2.1.1 (2016-11)

7. Notified Body Name: MET Laboratories, Inc.  
Notified Body Number: 0980  
Notified Body Assessment Performed: Module B/C on Article 3. 1a, 3.1b, 3.2 and 3.3  
Technical File Identification Number: N/A

8. Where applicable, description of accessories and components, including software, which allow the radio equipment to operate as intended and covered by the EU declaration of conformity: User instructions are provided in the User Manual, The Software and Hardware versions are specified above.

9. Additional information:  
Referring to Article 10.2 of the Directive, this equipment is so constructed that it can be operated in all Member States, without infringing applicable requirements on the use of radio spectrum. Referring to Article 10.10 of the Directive, there are no restrictions on putting this equipment into service or of requirements for authorisation of use. Please refer to the User Manual for details.

On behalf of:

Manufacturer: TECNO MOBILE LIMITED  
Add: ROOM 604 6/F SOUTH TOWER WORLD FINANCE CTR HARBOUR CITY 17 CANTON ROAD TST KL

(place and date of issue): Shenzhen, 2020-02-21

(name, function): Yiting Luo/ Manager

(signature):

**WELCOME**

Thank you for choosing our products. The Nightingale-N1 wireless earphone has a fashionable design, powerful functions, and high compatibility, providing you with hands-free convenience in making calls and listening to music.

**PACKAGE CONTENT**

1 x Nightingale-N1 Wireless Earphone  
1 x USB Charging Cable  
1 x Audio Transmission Line  
1 x User Manual

**WIRELESS TECHNOLOGY**

With the wireless technology, you can connect earphone to its compatible communication devices without using cables. The wireless connection allows you to use a cell phone without holding it against the earphone, but the maximum distance between them cannot exceed 10 meters (Distance between open areas can be increased). The wireless connection may be interfered by obstacles (such as walls) or other electronic devices.

In some areas, use of the wireless technology may be subject to some constraints. Please consult your local authority or service provider for details.

**HOW TO USE**

1. Charging  
1) Connect the charging port with any USB charging adapter or active computer USB port.  
2) Charging will start automatically with LED indicate red.  
3) The earphones are fully charged when LED indicate blue.  
Note: Make sure the battery is fully charged before putting the earphones away for storage. Charge the earphones at least once every 3 months when not using for a long time.

2. Pairing  
1) Make sure the earphones and your BT device are next to each other (within 10 meters).  
2) (no pairing information) when off, press the power switch for 2-3 seconds to start the headphone, and it will enter the pairing state.  
3) (has pairing information) when off, press the power switch for 2-3 seconds to start the headphone, fail to connect to the last connected device within 10 seconds, the headphone enters the pairing state. When the headset is connected to the device, the device disconnects from the headset or turns off the bluetooth in the Settings interface, the headset enters the pairing state.  
Bluetooth connected: blue light flashes slowly once every 5 seconds  
Prompt tone: Connected  
Unconnected bluetooth: blue light flashes when connected back, red and blue light flashes alternately when paired  
Prompt tone: Disconnected  
Note:  
1. The wireless earphones can remember previous paired devices.  
2. If the earphone cannot pair with your BT device, Press the volume + button and volume- button at the same time for 5 seconds under the startup state. The red and blue light flashes twice at the same time to clear the pairing history. Then restart the earphone to pair again.

**OPERATION AND FUNCTIONS**

Power On	When off, press the power switch for 2-3 seconds until the blue light is on.
Power Off	When on, press the power switch for 5 seconds until the red light is on
Pairing	when off, press the power switch for 2-3 seconds to start the headphone
Volume + / -	Click the volume+ / volume-
Next Track / Previous Track	Short press the previous key/ Last key
Play / Pause	short press the power switch to pause
Answer / Hang up a Call	Short press the power switch
Reject the Incoming Call	Long press the power switch for 1 second and then release
Re-dial Last Call	double-click the power switch
Restore to Factory Settings	Press the volume+ button and volume- button at the same time for 5 seconds under the startup state
Voice Dialing	long press the power switch for 1 second Siri can be reached if you release the power switch within 1-1.5 seconds