

## TEST REPORT

**Applicant:** TECNO MOBILE LIMITED

**Address:** FLAT N 16/F BLOCK B UNIVERSAL INDUSTRIAL CENTRE  
19-25 SHAN MEI STREET FOTAN NT HONGKONG

**Product Name:** Mobile phone

**FCC ID:** 2ADYY-KL6

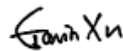
47 CFR Part 15, Subpart E(15.407)

**Standard(s):** FCC KDB 905462 D02 UNII DFS Compliance Procedures New  
Rules v02

**Report Number:** 2402V85515E-RF-00F

**Report Date:** 2024/8/5

The above device has been tested and found compliant with the requirement of the relative standards by Bay Area Compliance Laboratories Corp. (Dongguan).



**Reviewed By:** Gavin Xu  
Title: RF Engineer



**Approved By:** Ivan Cao  
Title: EMC Manager

---

**Bay Area Compliance Laboratories Corp. (Dongguan)**  
No.12, Pulong East 1<sup>st</sup> Road, Tangxia Town, Dongguan, Guangdong, China

Tel: +86-769-86858888

Fax: +86-769-86858891

[www.baclcorp.com.cn](http://www.baclcorp.com.cn)

Note: The information marked ▲ is provided by the applicant, the laboratory is not responsible for its authenticity and this information can affect the validity of the result in the test report. Unless otherwise stated the results shown in this test report refer only to the sample(s) tested. This report cannot be reproduced except in full, without prior written approval of the Company. This report is valid only with a valid digital signature. The digital signature may be available only under the Adobe software above version 7.0. This report may contain data that are not covered by the accreditation scope and shall be marked with ★. This report must not be used by the client to claim product certification, approval, or endorsement by NVLAP, NIST, or any agency of the U.S. Government.

# CONTENTS

**DOCUMENT REVISION HISTORY ..... 3**

**1. GENERAL INFORMATION ..... 4**

**1.1 PRODUCT DESCRIPTION FOR EQUIPMENT UNDER TEST (EUT) ..... 4**

**1.2 ACCESSORY INFORMATION: ..... 4**

**1.3 ANTENNA INFORMATION DETAIL▲: ..... 4**

**1.4 EQUIPMENT MODIFICATIONS ..... 4**

**2. DESCRIPTION OF TEST CONFIGURATION ..... 5**

**2.1 EUT OPERATION CONDITION..... 5**

**2.2 SUPPORT EQUIPMENT LIST AND DETAILS ..... 5**

**2.3 SUPPORT CABLE LIST AND DETAILS ..... 5**

**2.4 BLOCK DIAGRAM OF TEST SETUP ..... 5**

**2.5 TEST FACILITY..... 6**

**3. SUMMARY OF TEST RESULTS ..... 7**

**4. REQUIREMENTS AND TEST PROCEDURES ..... 8**

**4.1 DFS REQUIREMENT..... 8**

**4.2 TEST PROCEDURE ..... 12**

**5. Test DATA AND RESULTS ..... 13**

**5.1 RADAR WAVEFORM CALIBRATION ..... 14**

**5.2 CHANNEL MOVE TIME AND CHANNEL CLOSING TRANSMISSION TIME ..... 15**

        5.2.1 Test Procedure ..... 15

        5.2.2 Test Results..... 15

**5.3 NON-OCCUPANCY PERIOD..... 16**

        5.3.1 Test Procedure ..... 16

        5.3.2 Test Result ..... 16

**APPENDIX A - EUT PHOTOGRAPHS ..... 17**

**APPENDIX B - TEST SETUP PHOTOGRAPHS..... 18**

## DOCUMENT REVISION HISTORY

Revision Number	Report Number	Description of Revision	Date of Revision
1.0	2402V85515E-RF-00F	Original Report	2024/8/5

# 1. GENERAL INFORMATION

## 1.1 Product Description for Equipment under Test (EUT)

<b>EUT Name:</b>	Mobile phone
<b>EUT Model:</b>	KL6
<b>Operation Frequency:</b>	5260-5320 MHz (802.11a/n ht20/ac vht20) 5270-5310 MHz(802.11n ht40/ac vht40) 5290 MHz(802.11ac vht80) 5500-5720 MHz (802.11a/n ht20/ac vht20) 5510-5710 MHz(802.11n ht40/ac vht40) 5530-5690MHz(802.11ac vht80)
<b>Maximum Average Output Power (Conducted):</b>	6.79dBm(5250-5350MHz) 7.93dBm(5470-5725MHz)
<b>Modulation Type:</b>	OFDM-BPSK, QPSK, 16QAM, 64QAM,256QAM
<b>Rated Input Voltage:</b>	DC 3.87V from battery or DC 5.0/7.5V from adapter
<b>Serial Number:</b>	2OCI-2
<b>EUT Received Date:</b>	2024/7/12
<b>EUT Received Status:</b>	Good

## 1.2 Accessory Information:

Accessory Description	Manufacturer	Model	Parameters
Adapter	TECNO MOBILE LIMITED	U180TSA	Input: 100-240Vac 50/60Hz 0.6A Output: 5.0Vdc 2.4A or 7.5Vdc 2.4A 18W MAX
Earphone	TECNO MOBILE LIMITED	Unknown	Unknown

## 1.3 Antenna Information Detail ▲:

Antenna	Antenna Manufacturer	Antenna Type	input impedance (Ohm)	Frequency Range	Antenna Gain
ANT 14	TECNO MOBILE LIMITED	FPC	50	5.25~5.35 GHz 5.47~5.725 GHz	1.1dBi 1.1dBi
<b>The design of compliance with §15.203:</b>					
<input checked="" type="checkbox"/>	Unit uses a permanently attached antenna.				
<input type="checkbox"/>	Unit uses a unique coupling to the intentional radiator.				
<input type="checkbox"/>	Unit was professionally installed, and installer shall be responsible for verifying that the correct antenna is employed with the unit.				

## 1.4 Equipment Modifications

No modifications are made to the EUT during all test items.

## 2. DESCRIPTION OF TEST CONFIGURATION

### 2.1 EUT Operation Condition

<b>EUT Operation Mode:</b>	The system was configured for testing in Engineering Mode, which was provided by the manufacturer.
<b>Equipment Modifications:</b>	No
<b>EUT Exercise Software:</b>	Tfgen
WLAN traffic is generated by software “Tfgen”, software is used by IP and Frame based systems for loading the test channel during the In-service compliance testing of the U-NII device. Data package streamed from the Access Point to the Client using the software “Tfgen”.	

### 2.2 Support Equipment List and Details

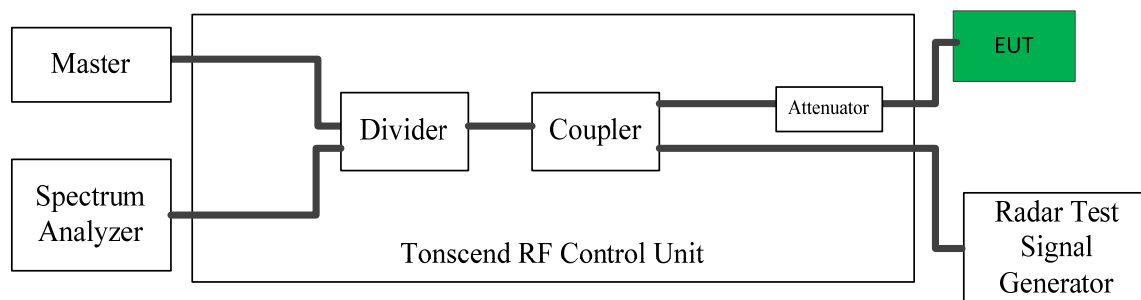
Manufacturer	Description	Model	Serial Number
Lenovo	Laptop	T430	AA887-03
Tenda	Router	RX12Pro	ED331010215000033

Note: The mater Wireless Router FCC ID: V7TRX12P2.

### 2.3 Support Cable List and Details

Cable Description	Shielding Type	Ferrite Core	Length (m)	From Port	To
/	/	/	/	/	/

### 2.4 Block Diagram of Test Setup



## **2.5 Test Facility**

The Test site used by Bay Area Compliance Laboratories Corp. (Dongguan) to collect test data is located on the No.12, Pulong East 1st Road, Tangxia Town, Dongguan, Guangdong, China.

The lab has been recognized as the FCC accredited lab under the KDB 974614 D01 and is listed in the FCC Public Access Link (PAL) database, FCC Registration No. : 829273, the FCC Designation No. : CN5044.

The lab has been recognized by Innovation, Science and Economic Development Canada to test to Canadian radio equipment requirements, the CAB identifier: CN0022.

### 3. SUMMARY OF TEST RESULTS

The following result table represents the list of measurements required under the KDB: 905462 D02 UNII DFS Compliance Procedures New Rules v02

Items	Description of Test	Result
Detection Bandwidth	UNII Detection Bandwidth	Not applicable
Performance Requirements Check	Initial Channel Availability Check Time (CAC)	Not applicable
	Radar Burst at the Beginning of the CAC	Not applicable
	Radar Burst at the End of the CAC	Not applicable
In-Service Monitoring	Channel Move Time	Compliant
	Channel Closing Transmission Time	Compliant
	Non-Occupancy Period	Compliant
Radar Detection	Statistical Performance Check	Not applicable

Note:

Not applicable: The EUT is a client unit without radar detection.

## 4. REQUIREMENTS AND TEST PROCEDURES

### 4.1 DFS Requirement

FCC KDB 905462 D02 UNII DFS Compliance Procedures New Rules v02

**Table 1: Applicability of DFS Requirements Prior to Use of a Channel**

Requirement	Operational Mode		
	Master	Client Without Radar Detection	Client With Radar Detection
<i>Non-Occupancy Period</i>	Yes	Not required	Yes
<i>DFS Detection Threshold</i>	Yes	Not required	Yes
<i>Channel Availability Check Time</i>	Yes	Not required	Not required
<i>U-NII Detection Bandwidth</i>	Yes	Not required	Yes

**Table 2: Applicability of DFS requirements during normal operation**

Requirement	Operational Mode	
	Master Device or Client with Radar Detection	Client Without Radar Detection
<i>DFS Detection Threshold</i>	Yes	Not required
<i>Channel Closing Transmission Time</i>	Yes	Yes
<i>Channel Move Time</i>	Yes	Yes
<i>U-NII Detection Bandwidth</i>	Yes	Not required

Additional requirements for devices with multiple bandwidth modes	Master Device or Client with Radar Detection	Client Without Radar Detection
<i>U-NII Detection Bandwidth and Statistical Performance Check</i>	All BW modes must be tested	Not required
<i>Channel Move Time and Channel Closing Transmission Time</i>	Test using widest BW mode available	Test using the widest BW mode available for the link
<i>All other tests</i>	Any single BW mode	Not required
<b>Note:</b> Frequencies selected for statistical performance check (Section 7.8.4) should include several frequencies within the radar detection bandwidth and frequencies near the edge of the radar detection bandwidth. For 802.11 devices it is suggested to select frequencies in each of the bonded 20 MHz channels and the channel center frequency.		



**Table 3: DFS Detection Thresholds for Master Devices and Client Devices With Radar Detection**

Maximum Transmit Power	Value (See Notes 1, 2, and 3)
EIRP ≥ 200 milliwatt	-64 dBm
EIRP < 200 milliwatt and power spectral density < 10 dBm/MHz	-62 dBm
EIRP < 200 milliwatt that do not meet the power spectral density requirement	-64 dBm
<p><b>Note 1:</b> This is the level at the input of the receiver assuming a 0 dBi receive antenna.  <b>Note 2:</b> Throughout these test procedures an additional 1 dB has been added to the amplitude of the test transmission waveforms to account for variations in measurement equipment. This will ensure that the test signal is at or above the detection threshold level to trigger a DFS response.  <b>Note 3:</b> EIRP is based on the highest antenna gain. For MIMO devices refer to KDB Publication 662911 D01.</p>	

**Table 4: DFS Response Requirement Values**

Parameter	Value
<i>Non-occupancy period</i>	Minimum 30 minutes
<i>Channel Availability Check Time</i>	60 seconds
<i>Channel Move Time</i>	10 seconds See Note 1.
<i>Channel Closing Transmission Time</i>	200 milliseconds + an aggregate of 60 milliseconds over remaining 10 second period. See Notes 1 and 2.
<i>U-NII Detection Bandwidth</i>	Minimum 100% of the U- NII 99% transmission power bandwidth. See Note 3.
<p><b>Note 1:</b> <i>Channel Move Time</i> and the <i>Channel Closing Transmission Time</i> should be performed with Radar Type 0. The measurement timing begins at the end of the Radar Type 0 burst.  <b>Note 2:</b> The <i>Channel Closing Transmission Time</i> is comprised of 200 milliseconds starting at the beginning of the <i>Channel Move Time</i> plus any additional intermittent control signals required to facilitate a <i>Channel</i> move (an aggregate of 60 milliseconds) during the remainder of the 10 second period. The aggregate duration of control signals will not count quiet periods in between transmissions.  <b>Note 3:</b> During the <i>U-NII Detection Bandwidth</i> detection test, radar type 0 should be used. For each frequency step the minimum percentage of detection is 90 percent. Measurements are performed with no data traffic.</p>	

**Table 5 – Short Pulse Radar Test Waveforms**

Radar Type	Pulse Width (μsec)	PRI (μsec)	Number of Pulses	Minimum Percentage of Successful Detection	Minimum Number of Trials
0	1	1428	18	See Note 1	See Note 1
1	1	Test A: 15 unique PRI values randomly selected from the list of 23 PRI values in Table 5a	Roundup $\left\{ \left( \frac{1}{360} \right) \cdot \left( \frac{19 \cdot 10^6}{\text{PRI}_{\mu\text{sec}}} \right) \right\}$	60%	30
		Test B: 15 unique PRI values randomly selected within the range of 518-3066 μsec, with a minimum increment of 1 μsec, excluding PRI values selected in Test A			
2	1-5	150-230	23-29	60%	30
3	6-10	200-500	16-18	60%	30
4	11-20	200-500	12-16	60%	30
Aggregate (Radar Types 1-4)				80%	120
<b>Note 1:</b> Short Pulse Radar Type 0 should be used for the detection bandwidth test, channel move time, and channel closing time tests.					

A minimum of 30 unique waveforms are required for each of the Short Pulse Radar Types 2 through 4. If more than 30 waveforms are used for Short Pulse Radar Types 2 through 4, then each additional waveform must also be unique and not repeated from the previous waveforms. If more than 30 waveforms are used for Short Pulse Radar Type 1, then each additional waveform is generated with Test B and must also be unique and not repeated from the previous waveforms in Tests A or B.

For example if in Short Pulse Radar Type 1 Test B a PRI of 3066 usec is selected, the number of pulses

would be  $\text{Roundup} \left\{ \left( \frac{1}{360} \right) \cdot \left( \frac{19 \cdot 10^6}{3066} \right) \right\} = \text{Roundup} \{17.2\} = 18.$

**Table 5a - Pulse Repetition Intervals Values for Test A**

<b>Pulse Repetition Frequency Number</b>	<b>Pulse Repetition Frequency (Pulses Per Second)</b>	<b>Pulse Repetition Interval (Microseconds)</b>
1	1930.5	518
2	1858.7	538
3	1792.1	558
4	1730.1	578
5	1672.2	598
6	1618.1	618
7	1567.4	638
8	1519.8	658
9	1474.9	678
10	1432.7	698
11	1392.8	718
12	1355	738
13	1319.3	758
14	1285.3	778
15	1253.1	798
16	1222.5	818
17	1193.3	838
18	1165.6	858
19	1139	878
20	1113.6	898
21	1089.3	918
22	1066.1	938
23	326.2	3066

The aggregate is the average of the percentage of successful detections of Short Pulse Radar Types 1-4. For example, the following table indicates how to compute the aggregate of percentage of successful detections.

<b>Radar Type</b>	<b>Number of Trials</b>	<b>Number of Successful Detections</b>	<b>Minimum Percentage of Successful Detection</b>
1	35	29	82.9%
2	30	18	60%
3	30	27	90%
4	50	44	88%
<b>Aggregate (82.9% + 60% + 90% + 88%)/4 = 80.2%</b>			

**Table 6 – Long Pulse Radar Test Waveform**

Radar Type	Pulse Width (μsec)	Chirp Width (MHz)	PRI (μsec)	Number of Pulses per <i>Burst</i>	Number of <i>Bursts</i>	Minimum Percentage of Successful Detection	Minimum Number of Trials
5	50-100	5-20	1000-2000	1-3	8-20	80%	30

**Table 7 – Frequency Hopping Radar Test Waveform**

Radar Type	Pulse Width (μsec)	PRI (μsec)	Pulses per Hop	Hopping Rate (kHz)	Hopping Sequence Length (msec)	Minimum Percentage of Successful Detection	Minimum Number of Trials
6	1	333	9	0.333	300	70%	30

**4.2 Test Procedure**

A spectrum analyzer is used as a monitor verifies that the EUT status including Channel Closing Transmission Time and Channel Move Time, and does not transmit on a Channel during the Non-Occupancy Period after the diction and Channel move.

**5. Test DATA AND RESULTS**

Serial Number:	20CI-2	Test Date:	2024/7/29
Test Site:	RF	Test Mode:	Traffic
Tester:	Harper Shen	Test Result:	Pass

<b>Environmental Conditions:</b>					
Temperature: (°C)	26.5	Relative Humidity: (%)	65	ATM Pressure: (kPa)	99.9

**Test Equipment List and Details:**

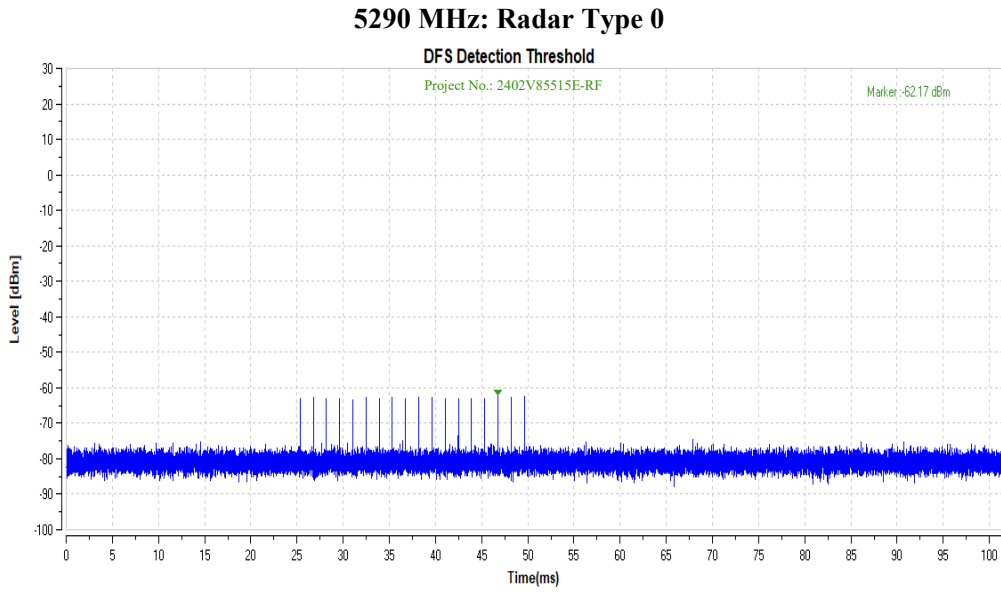
Manufacturer	Description	Model	Serial Number	Calibration Date	Calibration Due Date
Agilent	MXG Vector Signal Generator	N5182A	MY49060274	2023/10/18	2024/10/17
Agilent	MXG Analog Signal Generator	N5181A	MY48180151	2023/10/18	2024/10/17
Keysight	MXA Signal Analyzer	N9020A	MY48490106	2023/10/18	2024/10/17
Tonscend	RF Control Unit	JS0806-2	19G8060171	2023/10/18	2024/10/17
HUBER+SUHNER	Coaxial Attenuator	6610_SMA-50-1	0064	2024/6/13	2025/6/13
HUBER+SUHNER	Coaxial Attenuator	6610_SMA-50-1	0069	2024/6/13	2025/6/13
Eastsheep	Coaxial Attenuator	2W-SMA-JK-6G-10dB	F-08-EM509	2024/6/7	2025/6/7

*\* Statement of Traceability: Bay Area Compliance Laboratories Corp. (Dongguan) attests that all calibrations have been performed, traceable to National Primary Standards and International System of Units (SI).*

### 5.1 Radar Waveform Calibration

Test Mode	Frequency [MHz]	Radar Type	Result [dBm]
80M	5290	Type0	-62.17

Plots of Radar Waveforms



## 5.2 Channel Move Time And Channel Closing Transmission Time

### 5.2.1 Test Procedure

Channel Move Time and the Channel Closing Transmission Time should be performed with Radar Type 0. The measurement timing begins at the end of the Radar Type 0 burst.

The Channel Closing Transmission Time is comprised of 200 milliseconds starting at the beginning of the Channel Move Time plus any additional intermittent control signals required to facilitate a Channel move (an aggregate of 60 milliseconds) during the remainder of the 10 second period. The aggregate duration of control signals will not count quiet periods in between transmissions.

The aggregate channel closing transmission time is calculated as follows:

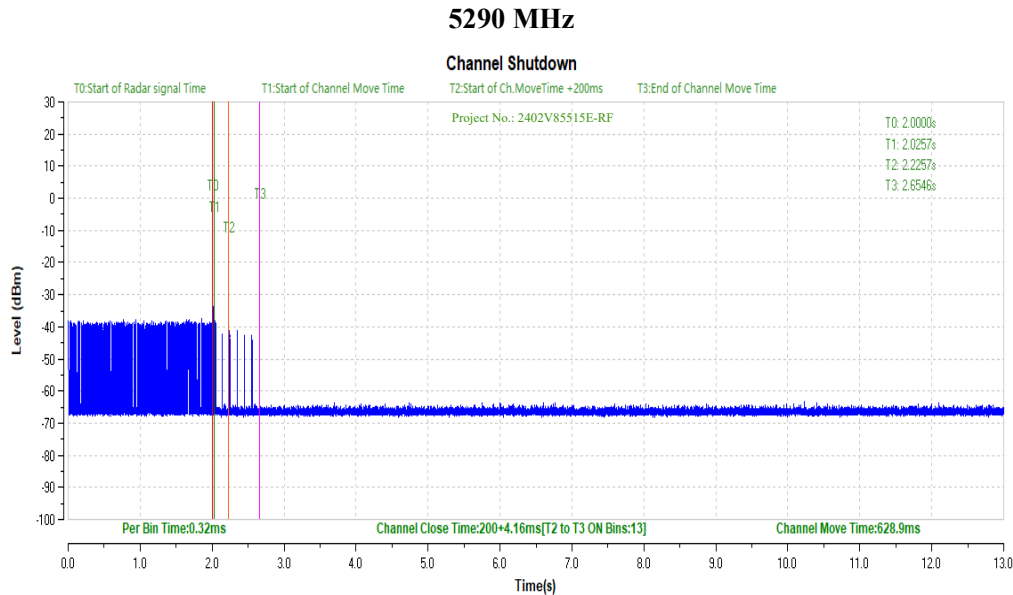
$$\text{Aggregate Transmission Time} = N * \text{Dwell Time}$$

N is the number of spectrum analyzer bins showing a device transmission Dwell Time is the dwell time per bin (i.e. Dwell Time = S/B, S is the sweep time and B is the number of bin, i.e. 8192)

### 5.2.2 Test Results

Test Mode	Frequency [MHz]	CCTT [ms]	Limit [ms]	CMT [ms]	Limit [ms]	Verdict
11AC80SISO	5290	200+4.16	200+60	628.9	10000	PASS

Please refer to the following tables and plots.



### 5.3 Non-occupancy Period

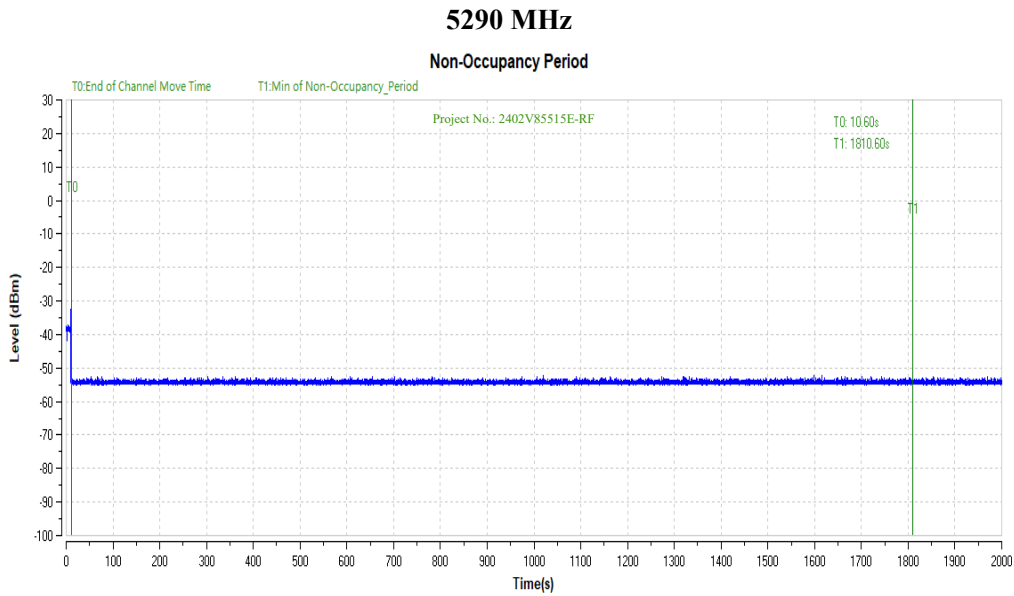
#### 5.3.1 Test Procedure

Measure the EUT for more than 30 minutes following the channel close/move time to verify that the EUT does not resume any transmissions on this channel. Provide one plot to demonstrate no transmission on the channel for the non-occupancy period (30 minutes observation time)

#### 5.3.2 Test Result

Test Mode	Frequency [MHz]	Result	Limit [s]	Verdict
11AC80SISO	5290	see test graph	≥1800	PASS

Please refer to the following plots.





## **APPENDIX A - EUT PHOTOGRAPHS**

---

Please refer to the attachment 2402V85515E-RF-EXP EUT EXTERNAL PHOTOGRAPHS and 2402V85515E-RF-INP EUT INTERNAL PHOTOGRAPHS.

## **APPENDIX B - TEST SETUP PHOTOGRAPHS**

---

Please refer to the attachment 2402V85515E-RF-00F-TSP TEST SETUP PHOTOGRAPHS.

**\*\*\*\*\* END OF REPORT \*\*\*\*\***