



**中认信通**

CHINA CERTIFICATION ICT CO., LTD (DONGGUAN)



## TEST REPORT

**Applicant: TECNO MOBILE LIMITED**

Address: FLAT N 16/F BLOCK B UNIVERSAL INDUSTRIAL CENTRE 19-25  
SHAN MEI STREET FOTAN NT HONGKONG

**FCC ID: 2ADYY-KJ5**

**Product Name: Mobile Phone**

**Standard(s): 47 CFR Part 2, 47 CFR Part 22, Subpart H  
47 CFR Part 24, Subpart E  
47 CFR Part 27  
ANSI C63.26-2015  
KDB 971168 D01 Power Meas License Digital Systems  
v03r01**

The above equipment has been tested and found compliant with the requirement of the relative standards by China Certification ICT Co., Ltd (Dongguan)

**Report Number: CR230848964-00E**

**Date Of Issue: 2023/9/20**

**Reviewed By: Calvin Chen**

Title: RF Engineer

**Approved By: Sun Zhong**

Title: Manager

**Test Laboratory: China Certification ICT Co., Ltd (Dongguan)**

No. 113, Pingkang Road, Dalang Town, Dongguan,  
Guangdong, China  
Tel: +86-769-82016888

## Test Facility

The Test site used by China Certification ICT Co., Ltd (Dongguan) to collect test data is located on the No. 113, Pingkang Road, Dalang Town, Dongguan, Guangdong, China.

The lab has been recognized as the FCC accredited lab under the KDB 974614 D01 and is listed in the FCC Public Access Link (PAL) database, FCC Registration No. : 442868, the FCC Designation No. : CN1314.

The lab has been recognized by Innovation, Science and Economic Development Canada to test to Canadian radio equipment requirements, the CAB identifier: CN0123.

## Declarations

China Certification ICT Co., Ltd (Dongguan) is not responsible for the authenticity of any test data provided by the applicant. Data included from the applicant that may affect test results are marked with a triangle symbol “▲”. Customer model name, addresses, names, trademarks etc. are not considered data.

Unless otherwise stated the results shown in this test report refer only to the sample(s) tested.

This report cannot be reproduced except in full, without prior written approval of the Company.

This report is valid only with a valid digital signature. The digital signature may be available only under the Adobe software above version 7.0.

This report may contain data that are not covered by the accreditation scope and shall be marked with an asterisk “★”.

## CONTENTS

TEST FACILITY .....	2
DECLARATIONS.....	2
<b>DOCUMENT REVISION HISTORY .....</b>	<b>5</b>
<b>1. GENERAL INFORMATION.....</b>	<b>6</b>
<b>1.1 PRODUCT DESCRIPTION FOR EQUIPMENT UNDER TEST (EUT) .....</b>	<b>6</b>
<b>1.2 DESCRIPTION OF TEST CONFIGURATION.....</b>	<b>7</b>
1.2.2 Support Equipment List and Details .....	11
1.2.3 Support Cable List and Details .....	11
1.2.4 Block Diagram of Test Setup.....	11
<b>1.3 MEASUREMENT UNCERTAINTY .....</b>	<b>12</b>
<b>2. SUMMARY OF TEST RESULTS .....</b>	<b>13</b>
<b>3. REQUIREMENTS AND TEST PROCEDURES .....</b>	<b>14</b>
3.1 Applicable Standard For Part 22 Subpart H:.....	14
3.2 Applicable Standard For Part 24 Subpart E: .....	16
3.3 Applicable Standard For Part 27:.....	17
3.5 Test Method:.....	20
<b>4. Test DATA AND RESULTS .....</b>	<b>26</b>
<b>4.1 ANTENNA PORT TEST DATA AND RESULTS FOR GSM 850 BAND:.....</b>	<b>26</b>
<b>4.2 ANTENNA PORT TEST DATA AND RESULTS FOR GSM 1900 BAND:.....</b>	<b>33</b>
<b>4.3 ANTENNA PORT TEST DATA AND RESULTS FOR WCDMA BAND 2: .....</b>	<b>40</b>
<b>4.4 ANTENNA PORT TEST DATA AND RESULTS FOR WCDMA BAND 4: .....</b>	<b>49</b>
<b>4.5 ANTENNA PORT TEST DATA AND RESULTS FOR WCDMA BAND 5: .....</b>	<b>58</b>
<b>4.6 ANTENNA PORT TEST DATA AND RESULTS FOR LTE BAND 2.....</b>	<b>67</b>
<b>4.7 ANTENNA PORT TEST DATA AND RESULTS FOR LTE BAND 4.....</b>	<b>88</b>
<b>4.8 ANTENNA PORT TEST DATA AND RESULTS FOR LTE BAND 5.....</b>	<b>109</b>
<b>4.9 ANTENNA PORT TEST DATA AND RESULTS FOR LTE BAND 7.....</b>	<b>125</b>
<b>4.10 ANTENNA PORT TEST DATA AND RESULTS FOR LTE BAND 12.....</b>	<b>141</b>
<b>4.11 ANTENNA PORT TEST DATA AND RESULTS FOR LTE BAND 17.....</b>	<b>157</b>
<b>4.12 ANTENNA PORT TEST DATA AND RESULTS FOR LTE BAND 38.....</b>	<b>167</b>
<b>4.13 ANTENNA PORT TEST DATA AND RESULTS FOR LTE BAND 40.....</b>	<b>183</b>
<b>4.14 ANTENNA PORT TEST DATA AND RESULTS FOR LTE BAND 41.....</b>	<b>205</b>
<b>4.15 ANTENNA PORT TEST DATA AND RESULTS FOR LTE BAND 66.....</b>	<b>221</b>
<b>4.16 RADIATED SPURIOUS EMISSIONS.....</b>	<b>244</b>
<b>5. EUT PHOTOGRAPHS .....</b>	<b>261</b>

---

**6. TEST SETUP PHOTOGRAPHS ..... 262**

## DOCUMENT REVISION HISTORY

Revision Number	Report Number	Description of Revision	Date of Revision
1.0	CR230848964-00E	Original Report	2023/9/20

## 1. GENERAL INFORMATION

### 1.1 Product Description for Equipment under Test (EUT)

<b>EUT Name:</b>	Mobile Phone
<b>Trade Name:</b>	TECNO
<b>EUT Model:</b>	KJ5
<b>Operation Bands and modes:</b>	GSM/GPRS/EDGE: 850/1900 WCDMA: Band 2/4/5 LTE: Band 2/4/5/7/12/17/38/40/41/66
<b>Modulation Type:</b>	GMSK,8PSK, BPSK, QPSK, 16QAM
<b>Rated Input Voltage:</b>	DC 3.85V form battery or DC 5/7.5V form adapter
<b>Serial Number:</b>	RF Conducted Test: 2A93-1 Radiated emissions: 2A93-5
<b>EUT Received Date:</b>	2023/8/23
<b>EUT Received Status:</b>	Good

#### Operation Voltage ( $V_{DC}$ ) ▲:

Lowest:	3.35	Normal:	3.85	Highest:	4.4
---------	------	---------	------	----------	-----

#### Transmission Antenna Information ▲:

Antenna Type	Operation Bands	Antenna Frequency Range(MHz)	Antenna Gain ( $G_r$ )(dBi)	$L_c$ (dB)
FPC	GSM850	824-849	-4.7	N/A
	PCS1900	1850-1910	-1.4	N/A
	WCDMA B2	1850-1910	-1.4	N/A
	WCDMA B4	1710-1755	-1.2	N/A
	WCDMA B5	824-849	-4.7	N/A
	LTE B2	1850-1910	-1.4	N/A
	LTE B4	1710-1755	-1.2	N/A
	LTE B5	824-849	-4.7	N/A
	LTE B7	2500-2570	-0.4	N/A
	LTE B12	699-716	-5.6	N/A
	LTE B17	704-716	-5.6	N/A
	LTE B38	2570-2620	-0.4	N/A
	LTE B40 Lower	2305-2315	-0.7	N/A
	LTE B40 Upper	2350-2360	-0.7	N/A
	LTE B41	2535-2655	-0.4	N/A
LTE B66	1710-1780	-1.2	N/A	

Note:  $L_c$ = Signal Attenuation in the connecting cable between the transmitter and antenna, in dB.

#### Accessory Information:

Accessory Description	Manufacturer	Model	Parameters
Adapter	TECNO	U180TSA	Input: AC 100-240V~50/60Hz, 0.6A Output: 5.0V 2.4A or 7.5V, 2.4A, 18.0W Max

## 1.2 Description of Test Configuration

### 1.2.1 EUT Operation Condition:

<b>EUT Operation Mode:</b>	The system was configured for testing in each operation mode.
<b>Equipment Modifications:</b>	No
<b>EUT Exercise Software:</b>	No
The maximum power was configured per 3GPP Standard for each operation modes as below setting:	
GSM/GPRS/EGPRS	
Function: Menu select > GSM Mobile Station > GSM 850/1900	
Press Connection control to choose the different menus	
Press RESET > choose all the reset all settings	
Connection Press Signal Off to turn off the signal and change settings	
Network Support > GSM + GPRS or GSM + EGSM	
Main Service > Packet Data	
Service selection > Test Mode A – Auto Slot Config. off	
MS Signal Press Slot Config Bottom on the right twice to select and change the number of time slots and power setting	
> Slot configuration > Uplink/Gamma	
> 33 dBm for GPRS 850	
> 30 dBm for GPRS 1900	
> 27 dBm for EGPRS 850	
> 26 dBm for EGPRS 1900	
BS Signal Enter the same channel number for TCH channel (test channel) and BCCH channel	
Frequency Offset > + 0 Hz	
Mode > BCCH and TCH	
BCCH Level > -85 dBm (May need to adjust if link is not stable)	
BCCH Channel > choose desire test channel [Enter the same channel number for TCH channel (test channel) and BCCH channel]	
Channel Type > Off	
P0 > 4 dB	
Slot Config > Unchanged (if already set under MS signal)	
TCH > choose desired test channel	
Hopping > Off	
Main Timeslot > 3	
Network Coding Scheme > CS4 (GPRS) and MCS5 (EGPRS)	
Bit Stream > 2E9-1 PSR Bit Stream	
AF/RF Enter appropriate offsets for Ext. Att. Output and Ext. Att. Input	
Connection Press Signal on to turn on the signal and change settings	

**WCDMA**

The following tests were conducted according to the test requirements outlines in section 5.2 of the 3GPP TS34.121-1 specification.

	Mode	HSUPA	HSUPA	HSUPA	HSUPA	HSUPA
	Subset	1	2		4	5
<b>WCDMA General Settings</b>	Loopback Mode	Test Mode 1				
	Rel99 RMC	12.2kbps RMC				
	HSDPA FRC	H-Set1				
	HSUPA Test	HSUPA Loopback				
	Power Control Algorithm	Algorithm2				
	$\beta_c$	11/15	6/15	15/15	2/15	15/15
	$\beta_d$	15/15	15/15	9/15	15/ 5	0
	$\beta_{ec}$	209/225	12/15	30 15	2/15	5/15
	$\beta_c/\beta_d$	11/15	6/15	15/9	2/15	-
	$\beta_{hs}$	22/15	12/15	30/15	4/15	5/15
CM(dB)	1.0	3.0	2.0	3.0	1.0	
PR(dB)	0	2	1	2	0	
<b>HSDPA Specific Settings</b>	DACK	8				
	DNAK	8				
	DCQI	8				
	Ack-Nack repetition factor	3				
	CQI Feedback	4ms				
	CQI Repetition Factor	2				
	$A_{hs}=\beta_{hs}/\beta_c$	30/15				
<b>HSUPA Specific Settings</b>	DE-DPCCH	6	8	8	5	7
	DHARQ	0	0	0	0	0
	AG Index	20	12	15	17	21
	ETFCI	75	67	92	71	81
	Associated Max UL Data Rate k ps	242.1	174.9	482.8	205.8	308.9
	Reference E_FCI	E-TFCI 11 E E-TFCI PO 4 E-TFCI 67 E-TFCI PO 18 E-TFCI 71 E-TFCI PO23 E-TFCI 75 E-TFCI PO26 E-TFCI 81 E-TFCI PO 27	E-TFCI 11 E-TFCI PO4 E-TFCI 92 E-TFCI PO 18	E-TFCI 11 E E-TFCI PO 4 E-TFCI 67 E-TFCI PO 18 E-TFCI 71 E-TFCI PO23 E-TFCI 75 E-TFCI PO26 E-TFCI 81 E-TFCI PO 27		



**LTE (FDD):**

The following tests were conducted according to the test requirements in 3GPP TS36.101

The following tests were conducted according to the test requirements outlined in section 6.2 of the 3GPP TS36.101 specification.

UE Power Class: 3 (23 +/- 2dBm). The allowed Maximum Power Reduction (MPR) for the maximum output power due to higher order modulation and transmit bandwidth configuration (resource blocks) is specified in Table 6.2.3-1 of the 3GPP TS36.101.

**Table 6.2.3-1: Maximum Power Reduction (MPR) for Power Class 3**

Modulation	Channel bandwidth / Transmission bandwidth (RB)						MPR (dB)
	1.4 MHz	3.0 MHz	5 MHz	10 MHz	15 MHz	20 MHz	
QPSK	> 5	> 4	> 8	> 12	> 16	> 18	≤ 1
16 QAM	≤ 5	≤ 4	≤ 8	≤ 12	≤ 16	≤ 18	≤ 1
16 QAM	> 5	> 4	> 8	> 12	> 16	> 18	≤ 2

The allowed A-MPR values specified below in Table 6.2.4.-1 of 3GPP TS36.101 are in addition to the allowed MPR requirements. All the measurements below were performed with A-MPR disabled, by using Network Signaling Value of "NS\_01".

**Table 6.2.4-1: Additional Maximum Power Reduction (A-MPR)**

Network Signalling value	Requirements (sub-clause)	E-UTRA Band	Channel bandwidth (MHz)	Resources Blocks ( $N_{RB}$ )	A-MPR (dB)
NS_01	6.6.2.1.1	Table 5.5-1	1.4, 3, 5, 10, 15, 20	Table 5.6-1	NA
NS_03	6.6.2.2.1	2, 4, 10, 23, 25, 35, 36	3	>5	≤ 1
			5	>6	≤ 1
			10	>6	≤ 1
			15	>8	≤ 1
			20	>10	≤ 1
NS_04	6.6.2.2.2	41	5	>6	≤ 1
			10, 15, 20	See Table 6.2.4-4	
NS_05	6.6.3.3.1	1	10, 15, 20	≥ 50	≤ 1
NS_06	6.6.2.2.3	12, 13, 14, 17	1.4, 3, 5, 10	Table 5.6-1	n/a
NS_07	6.6.2.2.3	13	10	Table 6.2.4-2	Table 6.2.4-2
	6.6.3.3.2				
NS_08	6.6.3.3.3	19	10, 15	> 44	≤ 3
NS_09	6.6.3.3.4	21	10, 15	> 40	≤ 1
				> 55	≤ 2
NS_10		20	15, 20	Table 6.2.4-3	Table 6.2.4-3
NS_11	6.6.2.2.1	23 <sup>1</sup>	1.4, 3, 5, 10	Table 6.2.4-5	Table 6.2.4-5
..					
NS_32	-	-	-	-	-

Note 1: Applies to the lower block of Band 23, i.e. a carrier placed in the 2000-2010 MHz region.

**LTE(TDD):**

Table 4.2-1: Configuration of special subframe (lengths of DwPTS/GP/UpPTS).

Special subframe configuration	Normal cyclic prefix in downlink				Extended cyclic prefix in downlink		
	DwPTS	UpPTS		DwPTS	UpPTS		
		Normal cyclic prefix in uplink	Extended cyclic prefix in uplink		Normal cyclic prefix in uplink	Extended cyclic prefix in uplink	
0	$6592 \cdot T_s$	$2192 \cdot T_s$	$2560 \cdot T_s$	$7680 \cdot T_s$	$2192 \cdot T_s$	$2560 \cdot T_s$	
1	$19760 \cdot T_s$			$20480 \cdot T_s$			
2	$21952 \cdot T_s$			$23040 \cdot T_s$			
3	$24144 \cdot T_s$			$25600 \cdot T_s$			
4	$26336 \cdot T_s$			$7680 \cdot T_s$			
5	$6592 \cdot T_s$	$4384 \cdot T_s$	$5120 \cdot T_s$	$20480 \cdot T_s$	$4384 \cdot T_s$	$5120 \cdot T_s$	
6	$19760 \cdot T_s$			$23040 \cdot T_s$			
7	$21952 \cdot T_s$			$12800 \cdot T_s$			
8	$24144 \cdot T_s$			-			
9	$13168 \cdot T_s$			-			

Table 4.2-2: Uplink-downlink configurations.

Uplink-downlink configuration	Downlink-to-Uplink Switch-point periodicity	Subframe number									
		0	1	2	3	4	5	6	7	8	9
0	5 ms	D	S	U	U	U	D	S	U	U	U
1	5 ms	D	S	U	U	D	D	S	U	U	D
2	5 ms	D	S	U	D	D	D	S	U	D	D
3	10 ms	D	S	U	U	U	D	D	D	D	D
4	10 ms	D	S	U	U	D	D	D	D	D	D
5	10 ms	D	S	U	D	D	D	D	D	D	D
6	5 ms	D	S	U	U	U	D	S	U	U	D

**Calculated Duty Cycle**

Uplink-Downlink Configuration	Downlink-to-Uplink Switch-point Periodicity	Subframe Number										Calculated Duty Cycle (%)
		0	1	2	3	4	5	6	7	8	9	
0	5 ms	D	S	U	U	U	D	S	U	U	U	63.33
1	5 ms	D	S	U	U	D	D	S	U	U	D	43.33
2	5 ms	D	S	U	D	D	D	S	U	D	D	23.33
3	10 ms	D	S	U	U	U	D	D	D	D	D	31.67
4	10 ms	D	S	U	U	D	D	D	D	D	D	21.67
5	10 ms	D	S	U	D	D	D	D	D	D	D	11.67
6	5 ms	D	S	U	U	U	D	S	U	U	D	53.33

Calculated Duty Cycle = Extended cyclic prefix in uplink x (T<sub>s</sub>) x # of S + # of U

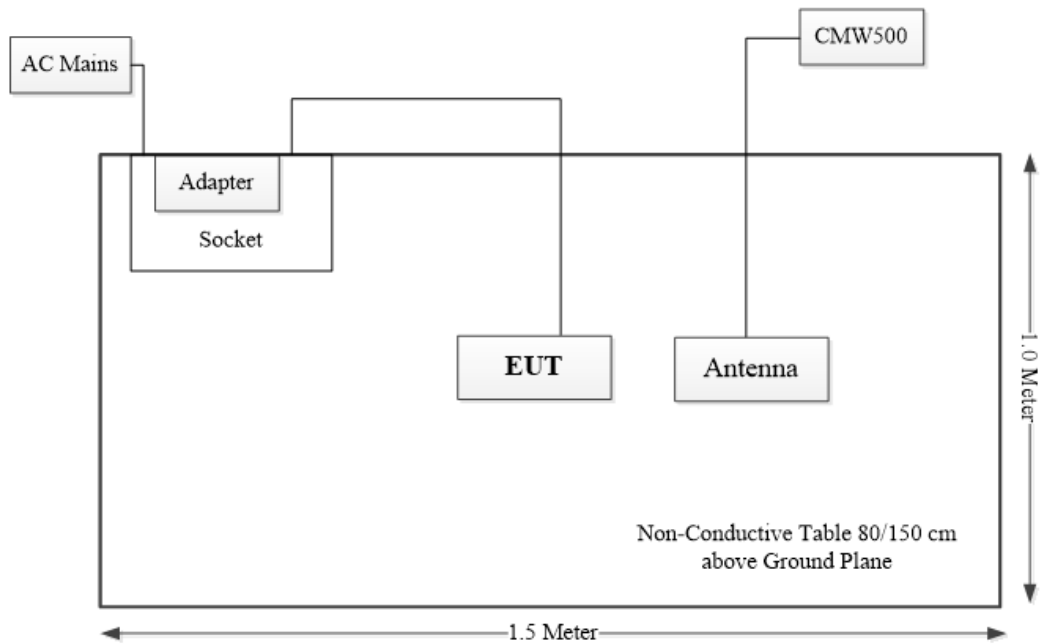
Example for Calculated Duty Cycle for Uplink-Downlink Configuration 0:  
 Calculated Duty Cycle =  $5120 \times [1/(15000 \times 2048)] \times 2 + 6 \text{ ms} = 63.33\%$   
 where  
 T<sub>s</sub> = 1/(15000 x 2048) seconds

**1.2.2 Support Equipment List and Details**

Manufacturer	Description	Model	Serial Number
TECNO	Adapter	U180TSA	BJ070184937061
TECNO	Earphone	Unknown	Unknown
R&S	Wideband Radio Communication Tester	CMW500	143458
Unknown	Antenna	Unknown	Unknown

**1.2.3 Support Cable List and Details**

Cable Description	Shielding Type	Ferrite Core	Length (m)	From Port	To
Power Cable	NO	NO	1	Adapter	EUT
Antenna Cable	NO	NO	2	Antenna	CMW500
Earphone Cable	NO	NO	1.5	Earphone	EUT

**1.2.4 Block Diagram of Test Setup**

### 1.3 Measurement Uncertainty

Otherwise required by the applicant or Product Regulations, Decision Rule in this report did not consider the uncertainty. The extended uncertainty given in this report is obtained by combining the standard uncertainty times the coverage factor K with the 95% confidence interval.

Parameter	Measurement Uncertainty
Occupied Channel Bandwidth	±5 %
RF output power, conducted	±0.61dB
Power Spectral Density, conducted	±0.61 dB
Unwanted Emissions, radiated	30M~200MHz: 4.15 dB,200M~1GHz: 5.61 dB,1G~6GHz: 5.14 dB, 6G~18GHz: 5.93 dB,18G~26.5G:5.47 dB,26.5G~40G:5.63 dB
Unwanted Emissions, conducted	±1.26 dB
Temperature	±1 °C
Humidity	±5%
DC and low frequency voltages	±0.4%
Duty Cycle	1%
RF Frequency	±0.082×10 <sup>-6</sup>

## 2. SUMMARY OF TEST RESULTS

Rules	Description of Test	Result
FCC§2.1046; § 22.913; § 24.232; §27.50	RF Output Power	Compliant
FCC§ 2.1047	Modulation Characteristics	Not Applicable
FCC§ 2.1049; § 22.905; § 22.917; § 24.238; §27.53	Occupied Bandwidth	Compliant
FCC§ 2.1051; § 22.917; § 24.238; §27.53	Spurious Emissions at Antenna Terminal	Compliant
FCC§ 22.917; § 24.238; §27.53	Out of band emission, Band Edge	Compliant
FCC§ 2.1055; § 22.355; § 24.235; §27.54	Frequency stability vs. temperature Frequency stability vs. voltage	Compliant
FCC§ 2.1053; § 22.917; § 24.238; §27.53	Field Strength of Spurious Radiation	Compliant

## 3. REQUIREMENTS AND TEST PROCEDURES

---

### 3.1 Applicable Standard For Part 22 Subpart H:

#### 3.1.1 RF Output Power

FCC §22.913

(a)(5) The ERP of mobile transmitters and auxiliary test transmitters must not exceed 7watts.

(d) *Power measurement.* Measurement of the ERP of Cellular base transmitters and repeaters must be made using an average power measurement technique. The peak-to-average ratio (PAR) of the transmission must not exceed 13 dB. Power measurements for base transmitters and repeaters must be made in accordance with either of the following:

- (1) A Commission-approved average power technique (*see* FCC Laboratory's Knowledge Database); or
- (2) For purposes of this section, peak transmit power must be measured over an interval of continuous transmission using instrumentation calibrated in terms of an rms equivalent voltage. The measurement results shall be properly adjusted for any instrument limitations, such as detector response times, limited resolution bandwidth capability when compared to the emission bandwidth, sensitivity, *etc.*, so as to obtain a true peak measurement for the emission in question over the full bandwidth of the channel.

#### 3.1.2 Spurious Emissions

FCC §22.917

(a) Out of band emissions. The power of any emission outside of the authorized operating frequency ranges must be attenuated below the transmitting power (P) by a factor of at least  $43 + 10 \log(P)$  dB.

(b) Measurement procedure. Compliance with these rules is based on the use of measurement instrumentation employing a reference bandwidth as follows:

- (1) In the spectrum below 1 GHz, instrumentation should employ a reference bandwidth of 100 kHz or greater. In the 1 MHz bands immediately outside and adjacent to the frequency block, a resolution bandwidth of at least one percent of the emission bandwidth of the fundamental emission of the transmitter may be employed. A narrower resolution bandwidth is permitted in all cases to improve measurement accuracy, provided that the measured power is integrated over the full required reference bandwidth (i.e., 100 kHz or 1 percent of emission bandwidth, as specified). The emission bandwidth is defined as the width of the signal between two points, one below the carrier center frequency and one above the carrier center frequency, outside of which all emissions are attenuated at least 26 dB below the transmitter power.
- (2) In the spectrum above 1 GHz, instrumentation should employ a reference bandwidth of 1 MHz

#### 3.1.3 Frequency stability

FCC §22.355

Except as otherwise provided in this part, the carrier frequency of each transmitter in the Public Mobile Services must be maintained within the tolerances given in Table C-1 of this section.

Table C-1 - Frequency Tolerance for Transmitters in the Public Mobile Services

<b>Frequency range (MHz)</b>	<b>Base, fixed (ppm)</b>	<b>Mobile &gt;3 watts (ppm)</b>	<b>Mobile <math>\leq</math>3 watts (ppm)</b>
25 to 50	20	20	50
50 to 450	5	5	50
450 to 512	2.5	5	5
821 to 896	1.5	<b>2.5</b>	<b>2.5</b>
928 to 929	5	n/a	n/a
929 to 960	1.5	n/a	n/a
2110 to 2220	10	n/a	n/a

### **3.2 Applicable Standard For Part 24 Subpart E:**

#### **3.2.1 RF Output Power**

FCC §24.232

(c) Mobile and portable stations are limited to 2 watts EIRP and the equipment must employ a means for limiting power to the minimum necessary for successful communications.

(d) Power measurements for transmissions by stations authorized under this section may be made either in accordance with a Commission-approved average power technique or in compliance with paragraph (e) of this section. In both instances, equipment employed must be authorized in accordance with the provisions of § 24.51. In measuring transmissions in this band using an average power technique, the peak-to-average ratio (PAR) of the transmission may not exceed 13 dB.

#### **3.2.2 Spurious Emissions**

FCC §24.238

The rules in this section govern the spectral characteristics of emissions in the Broadband Personal Communications Service.

(a) Out of band emissions. The power of any emission outside of the authorized operating frequency ranges must be attenuated below the transmitting power (P) by a factor of at least  $43 + 10 \log(P)$  dB.

(b) Measurement procedure. Compliance with these rules is based on the use of measurement instrumentation employing a resolution bandwidth of 1 MHz or greater. However, in the 1 MHz bands immediately outside and adjacent to the frequency block a resolution bandwidth of at least one percent of the emission bandwidth of the fundamental emission of the transmitter may be employed. A narrower resolution bandwidth is permitted in all cases to improve measurement accuracy provided the measured power is integrated over the full required measurement bandwidth (i.e. 1 MHz or 1 percent of emission bandwidth, as specified). The emission bandwidth is defined as the width of the signal between two points, one below the carrier center frequency and one above the carrier center frequency, outside of which all emissions are attenuated at least 26 dB below the transmitter power.

(c) Alternative out of band emission limit. Licensees in this service may establish an alternative out of band emission limit to be used at specified band edge(s) in specified geographical areas, in lieu of that set forth in this section, pursuant to a private contractual arrangement of all affected licensees and applicants. In this event, each party to such contract shall maintain a copy of the contract in their station files and disclose it to prospective assignees or transferees and, upon request, to the FCC.

(d) Interference caused by out of band emissions. If any emission from a transmitter operating in this service results in interference to users of another radio service, the FCC may require a greater attenuation of that emission than specified in this section.

#### **3.2.3 Frequency stability**

FCC §24.235

The frequency stability shall be sufficient to ensure that the fundamental emission stays within the authorized frequency block.



### 3.3 Applicable Standard For Part 27:

#### 3.3.1 RF Output Power

FCC §27.50

(a)(3) *Mobile and portable stations.*

(i) For mobile and portable stations transmitting in the 2305-2315 MHz band or the 2350-2360 MHz band, the average EIRP must not exceed 50 milliwatts within any 1 megahertz of authorized bandwidth, *except that* for mobile and portable stations compliant with 3GPP LTE standards or another advanced mobile broadband protocol that avoids concentrating energy at the edge of the operating band the average EIRP must not exceed 250 milliwatts within any 5 megahertz of authorized bandwidth but may exceed 50 milliwatts within any 1 megahertz of authorized bandwidth. For mobile and portable stations using time division duplexing (TDD) technology, the duty cycle must not exceed 38 percent in the 2305-2315 MHz and 2350-2360 MHz bands. Mobile and portable stations using FDD technology are restricted to transmitting in the 2305-2315 MHz band. Power averaging shall not include intervals in which the transmitter is off.

(ii) Mobile and portable stations are not permitted to transmit in the 2315-2320 MHz and 2345-2350 MHz bands.

(iii) *Automatic transmit power control.* Mobile and portable stations transmitting in the 2305-2315 MHz band or in the 2350-2360 MHz band must employ automatic transmit power control when operating so the stations operate with the minimum power necessary for successful communications.

(iv) *Prohibition on external vehicle-mounted antennas.* The use of external vehicle-mounted antennas for mobile and portable stations transmitting in the 2305-2315 MHz band or the 2350-2360 MHz band is prohibited.

(b)(10) Portable stations (hand-held devices) transmitting in the 746-757 MHz, 776-788 MHz, and 805-806 MHz bands are limited to 3 watts ERP.

(c)(10) Portable stations (hand-held devices) in the 600 MHz uplink band and the 698-746 MHz band, and fixed and mobile stations in the 600 MHz uplink band are limited to 3 watts ERP.

(d)(4) Fixed, mobile, and portable (hand-held) stations operating in the 1710-1755 MHz band and mobile and portable stations operating in the 1695-1710 MHz and 1755-1780 MHz bands are limited to 1 watt EIRP. Fixed stations operating in the 1710-1755 MHz band are limited to a maximum antenna height of 10 meters above ground. Mobile and portable stations operating in these bands must employ a means for limiting power to the minimum necessary for successful communications.

(h) The following power limits shall apply in the BRS and EBS:

(2) Mobile and other user stations. Mobile stations are limited to 2.0 watts EIRP. All user stations are limited to 2.0 watts transmitter output power.

#### 3.3.2 Spurious Emissions

FCC §27.53

(a) For operations in the 2305-2320 MHz band and the 2345-2360 MHz band, the power of any emission outside a licensee's frequency band(s) of operation shall be attenuated below the transmitter power P (with averaging performed only during periods of transmission) within the licensed band(s) of operation, in watts, by the following amounts:

(4) For mobile and portable stations operating in the 2305-2315 MHz and 2350-2360 MHz bands:

(i) By a factor of not less than:  $43 + 10 \log(P)$  dB on all frequencies between 2305 and 2320 MHz and on all frequencies between 2345 and 2360 MHz that are outside the licensed band(s) of operation, not less than  $55 + 10 \log(P)$  dB on all frequencies between 2320 and 2324 MHz and on all frequencies between 2341 and 2345 MHz, not less than  $61 + 10 \log(P)$  dB on all frequencies between 2324 and 2328 MHz and on all frequencies between 2337 and 2341 MHz, and not less than  $67 + 10 \log(P)$  dB on all frequencies between 2328 and 2337 MHz;

(ii) By a factor of not less than  $43 + 10 \log (P)$  dB on all frequencies between 2300 and 2305 MHz,  $55 + 10 \log (P)$  dB on all frequencies between 2296 and 2300 MHz,  $61 + 10 \log (P)$  dB on all frequencies between 2292 and 2296 MHz,  $67 + 10 \log (P)$  dB on all frequencies between 2288 and 2292 MHz, and  $70 + 10 \log (P)$  dB below 2288 MHz;

(iii) By a factor of not less than  $43 + 10 \log (P)$  dB on all frequencies between 2360 and 2365 MHz, and not less than  $70 + 10 \log (P)$  dB above 2365 MHz.

(c) For operations in the 746-758 MHz band and the 776-788 MHz band, the power of any emission outside the licensee's frequency band(s) of operation shall be attenuated below the transmitter power (P) within the licensed band(s) of operation, measured in watts, in accordance with the following:

(1) On any frequency outside the 746-758 MHz band, the power of any emission shall be attenuated outside the band below the transmitter power (P) by at least  $43 + 10 \log (P)$  dB;

(2) On any frequency outside the 776-788 MHz band, the power of any emission shall be attenuated outside the band below the transmitter power (P) by at least  $43 + 10 \log (P)$  dB;

(3) On all frequencies between 763-775 MHz and 793-805 MHz, by a factor not less than  $76 + 10 \log (P)$  dB in a 6.25 kHz band segment, for base and fixed stations;

(4) On all frequencies between 763-775 MHz and 793-805 MHz, by a factor not less than  $65 + 10 \log (P)$  dB in a 6.25 kHz band segment, for mobile and portable stations;

(5) Compliance with the provisions of paragraphs (c)(1) and (c)(2) of this section is based on the use of measurement instrumentation employing a resolution bandwidth of 100 kHz or greater. However, in the 100 kHz bands immediately outside and adjacent to the frequency block, a resolution bandwidth of at least 30 kHz may be employed;

(6) Compliance with the provisions of paragraphs (c)(3) and (c)(4) of this section is based on the use of measurement instrumentation such that the reading taken with any resolution bandwidth setting should be adjusted to indicate spectral energy in a 6.25 kHz segment.

(f) For operations in the 746-758 MHz, 775-788 MHz, and 805-806 MHz bands, emissions in the band 1559-1610 MHz shall be limited to - 70 dBW/MHz equivalent isotropically radiated power (EIRP) for wideband signals, and - 80 dBW EIRP for discrete emissions of less than 700 Hz bandwidth. For the purpose of equipment authorization, a transmitter shall be tested with an antenna that is representative of the type that will be used with the equipment in normal operation.

(g) For operations in the 600 MHz band and the 698-746 MHz band, the power of any emission outside a licensee's frequency band(s) of operation shall be attenuated below the transmitter power (P) within the licensed band(s) of operation, measured in watts, by at least  $43 + 10 \log (P)$  dB. Compliance with this provision is based on the use of measurement instrumentation employing a resolution bandwidth of 100 kilohertz or greater. However, in the 100 kilohertz bands immediately outside and adjacent to a licensee's frequency block, a resolution bandwidth of at least 30 kHz may be employed.

(h) AWS emission limits

(1) **General protection levels.** Except as otherwise specified below, for operations in the 1695-1710 MHz, 1710-1755 MHz, 1755-1780 MHz, 1915-1920 MHz, 1995-2000 MHz, 2000-2020 MHz, 2110-2155 MHz, 2155-2180 MHz, and 2180-2200 bands, the power of any emission outside a licensee's frequency block shall be attenuated below the transmitter power (P) in watts by at least  $43 + 10 \log_{10} (P)$  dB.

(m)(4) For mobile digital stations, the attenuation factor shall be not less than  $40 + 10 \log (P)$  dB on all frequencies between the channel edge and 5 megahertz from the channel edge,  $43 + 10 \log (P)$  dB on all frequencies between 5 megahertz and X megahertz from the channel edge, and  $55 + 10 \log (P)$  dB on all frequencies more than X megahertz from the channel edge, where X is the greater of 6 megahertz or the actual emission bandwidth as defined in paragraph (m)(6) of this section. In addition, the attenuation factor shall not be less than  $43 + 10 \log (P)$  dB on all frequencies between 2490.5 MHz and 2496 MHz and  $55 + 10 \log (P)$  dB at or below 2490.5 MHz. Mobile Satellite Service licensees operating on frequencies below 2495 MHz may also submit a documented interference complaint against BRS licensees operating on channel BRS Channel 1 on the same terms and conditions as adjacent channel BRS or EBS licensees.

### 3.3.3 Frequency stability

FCC §27.54

The frequency stability shall be sufficient to ensure that the fundamental emissions stay within the authorized bands of operation.

### 3.5 Test Method:

#### 3.5.1 Transmitter output power, e.r.p. and e.i.r.p

According to CFR Part 2.1046, ANSI C63.26-2015 Section 5.2.5.5 and KDB 971168 D01 Power Meas License Digital Systems v03r01:

The relevant equation for determining the ERP or EIRP from the conducted RF output power measured using the guidance provided above is:

$$\text{ERP or EIRP} = P_{\text{Meas}} + G_T - L_C$$

where:

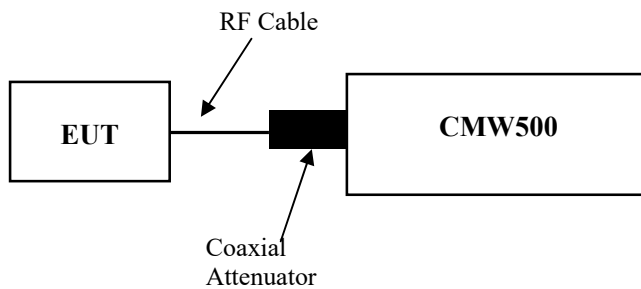
ERP or EIRP = effective radiated power or equivalent isotropically radiated power, respectively (expressed in the same units as  $P_{\text{Meas}}$ , typically dBW or dBm);

$P_{\text{Meas}}$  = measured transmitter output power or PSD, in dBm or dBW;

$G_T$  = gain of the transmitting antenna, in dBd (ERP) or dBi (EIRP);

$L_C$  = signal attenuation in the connecting cable between the transmitter and antenna, in dB.

#### Test Setup Block:



Note: The Insertion loss of the RF cable and coaxial Attenuator was offset into the Reading of CMW500.

### 3.5.2 Occupied Bandwidth

According to ANSI C63.26-2015 Section 5.4.4

The OBW is the frequency bandwidth such that, below its lower and above its upper frequency limits, the mean powers are each equal to 0.5% of the total mean power of the given emission.

The following procedure shall be used for measuring (99%) power bandwidth:

a) The spectrum analyzer center frequency is set to the nominal EUT channel center frequency. The frequency span for the spectrum analyzer shall be set wide enough to capture all modulation products including the emission skirts (typically a span of  $1.5 \times \text{OBW}$  is sufficient).

b) The nominal IF filter 3 dB bandwidth (RBW) shall be in the range of 1% to 5% of the anticipated OBW, and the VBW shall be set  $\geq 3 \times \text{RBW}$ .

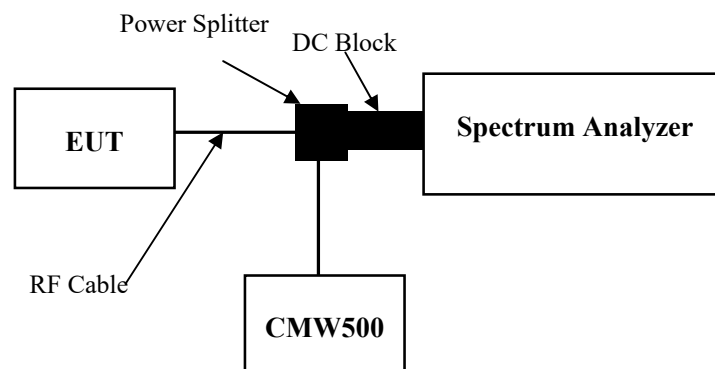
c) Set the reference level of the instrument as required to prevent the signal amplitude from exceeding the maximum spectrum analyzer input mixer level for linear operation. See guidance provided in 4.2.3.  
NOTE—Step a), step b), and step c) may require iteration to adjust within the specified tolerances.

d) Set the detection mode to peak, and the trace mode to max-hold.

e) If the instrument does not have a 99% OBW function, recover the trace data points and sum directly in linear power terms. Place the recovered amplitude data points, beginning at the lowest frequency, in a running sum until 0.5% of the total is reached. Record that frequency as the lower OBW frequency. Repeat the process until 99.5% of the total is reached and record that frequency as the upper OBW frequency. The 99% power OBW can be determined by computing the difference these two frequencies.

f) The OBW shall be reported and plot(s) of the measuring instrument display shall be provided with the test report. The frequency and amplitude axis and scale shall be clearly labeled. Tabular data can be reported in addition to the plot(s).

#### Test Setup Block:

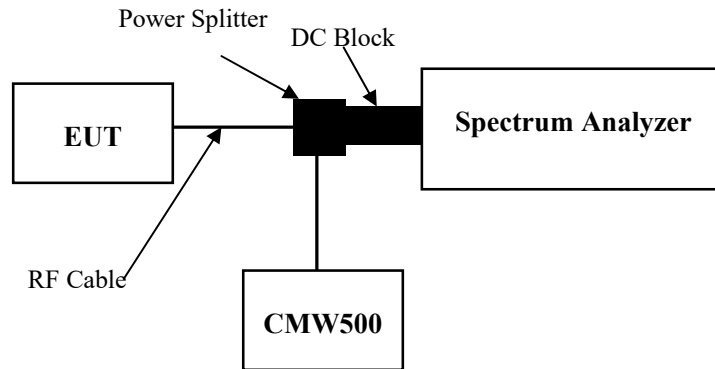


### 3.5.3 Transmitter unwanted emissions-at antenna terminals

According to ANSI C63.26-2015 Section 5.7.4, KDB 971168 D01 Power Meas License Digital Systems v03r01:

the applicable rule part specifies the reference bandwidth for measuring unwanted emission levels (typically, 100 kHz if the authorized frequency band/block is at or below 1 GHz and 1 MHz if the authorized frequency band/block is above 1 GHz),<sup>8</sup> effectively depicting the unwanted emission limit in terms of a power spectral density. In those cases where no reference bandwidth is explicitly specified, the values in the preceding sentence should be used.

#### Test Setup Block:

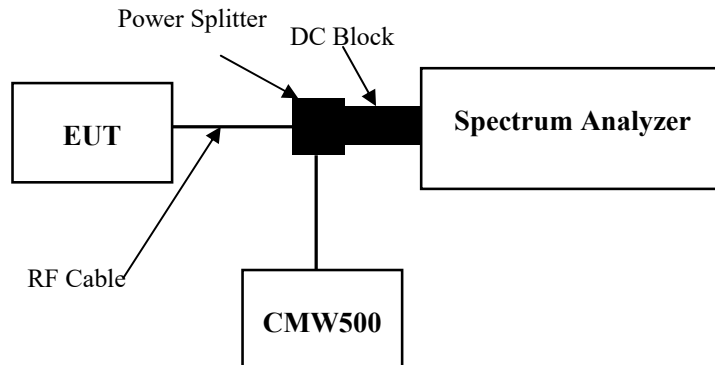


### 3.5.4 Transmitter unwanted emissions-Out of band emission

According to ANSI C63.26-2015 Section 5.7.3, KDB 971168 D01 Power Meas License Digital Systems v03r01:

Typically, a measurement (resolution) bandwidth smaller than the reference bandwidth is allowed for measurements within a specified frequency range at the edge of the authorized frequency block/band (e.g., within the first Y MHz outside of the authorized frequency band/block, where the value of Y is specified in the relevant rule part). Some FCC out-of-band emission rules permit the use of a narrower RBW (typically limited to a minimum RBW of 1 % of the OBW) for measuring the out-of-band emissions without a requirement to integrate the result over the full reference bandwidth. Beyond the specified frequency range in which this relaxation of the uniform reference bandwidth is permitted, it typically is also acceptable to use a narrower RBW (again limited to a minimum of 1 % of OBW) to increase accuracy, but the measurement result must subsequently be integrated over the full reference bandwidth.

#### Test Setup Block:



### 3.5.5 Frequency stability

According to ANSI C63.26-2015 Section 5.6, KDB 971168 D01 Power Meas License Digital Systems v03r01:

Frequency stability is a measure of the frequency drift due to temperature and supply voltage variations, with reference to the frequency measured at +20 °C and rated supply voltage.

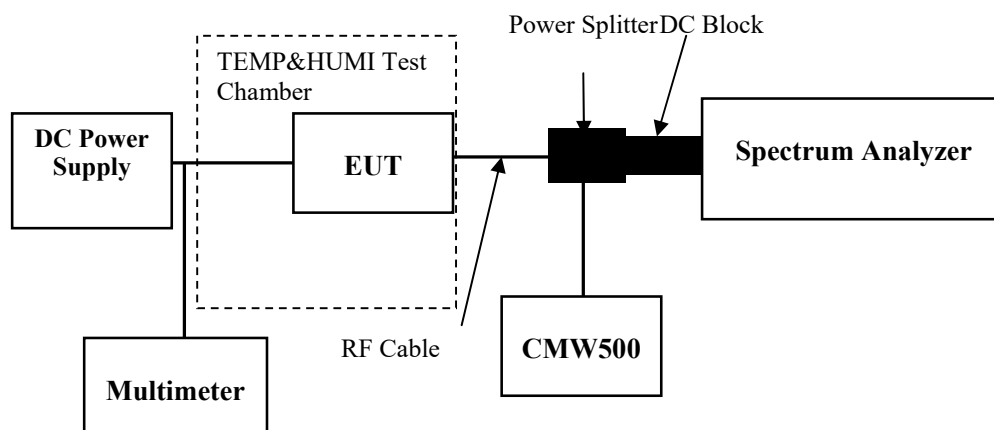
The operating carrier frequency shall be set up in accordance with the manufacturer's published operation and instruction manual prior to the commencement of these tests. No adjustment of any frequency determining circuit element shall be made subsequent to this initial set-up. Frequency stability is tested:

- a) At 10 °C intervals of temperatures between –30 °C and +50 °C at the manufacturer's rated supply voltage, and
- b) At +20 °C temperature and ±15% supply voltage variations. If a product is specified to operate over a range of input voltage then the –15% variation is applied to the lowermost voltage and the +15% is applied to the uppermost voltage.

During the test all necessary settings, adjustments and control of the EUT have to be performed without disturbing the test environment, i.e., without opening the environmental chamber. The frequency stabilities can be maintained to a lesser temperature range provided that the transmitter is automatically inhibited from operating outside the lesser temperature range. For handheld equipment that is only capable of operating from internal batteries and the supply voltage cannot be varied, the frequency stability tests shall be performed at the nominal battery voltage and the battery end point voltage specified by the manufacturer. An external supply voltage can be used and set at the internal battery nominal voltage, and again at the battery operating end point voltage which shall be specified by the equipment manufacturer.

If an unmodulated carrier is not available, the mean frequency of a modulated carrier can be obtained by using a frequency counter with gating time set to an appropriately large multiple of bit periods (gating time depending on the required accuracy). Full details on the choice of values shall be included in the test report.

#### Test Setup Block:



### 3.5.6 Transmitter unwanted emissions- Radiated Spurious emissions

According to ANSI C63.26-2015 Section 5.5.3:

#### Test setup:

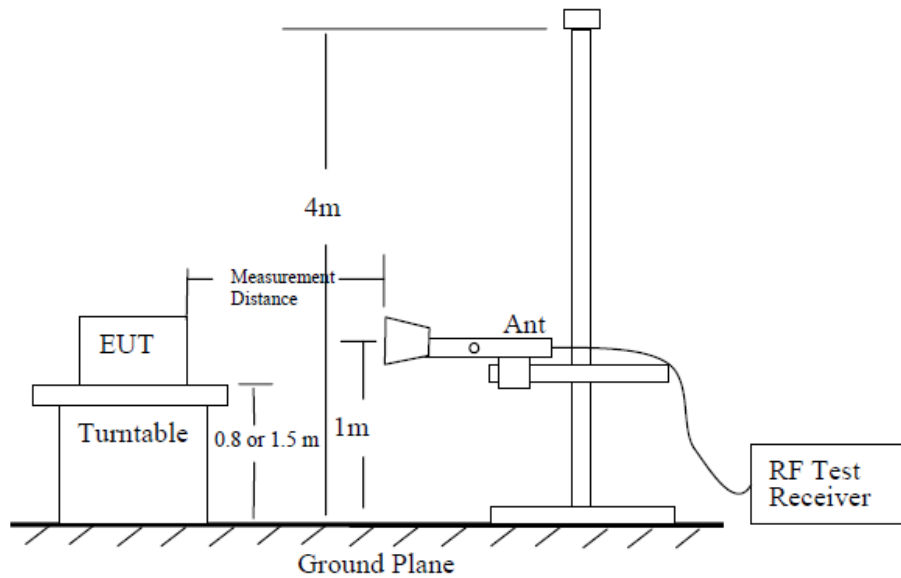


Figure 6—Test site-up for radiated ERP and/or EIRP measurements

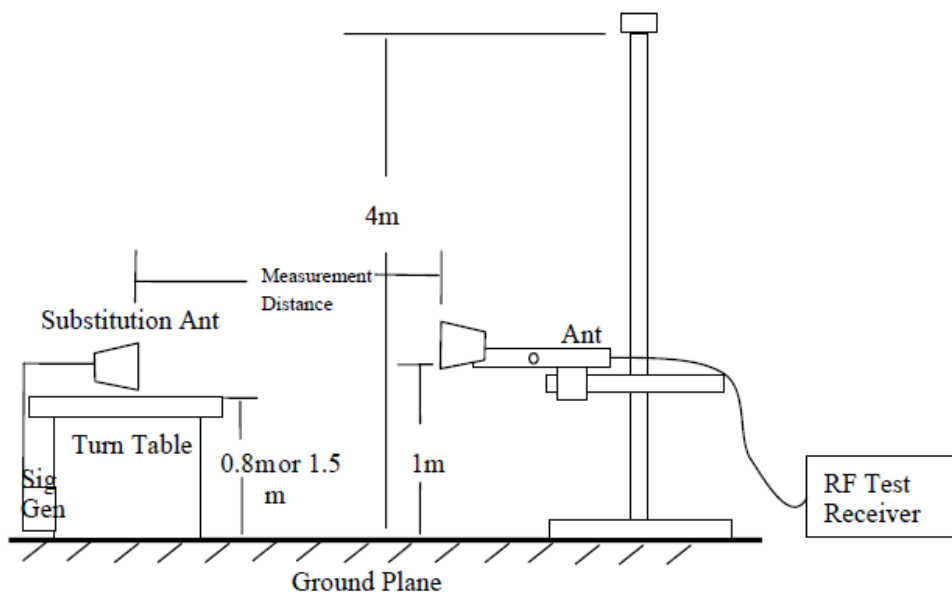


Figure 7—Substitution method set-up for radiated emission



**Test Procedure:**

- a) Place the EUT in the center of the turntable. The EUT shall be configured to transmit into the standard non-radiating load (for measuring radiated spurious emissions), connected with cables of minimal length unless specified otherwise. If the EUT uses an adjustable antenna, the antenna shall be positioned to the length that produces the worst case emission at the fundamental operating frequency.
- b) Each emission under consideration shall be evaluated:
  - 1) Raise and lower the measurement antenna in accordance 5.5.2, as necessary to enable detection of the maximum emission amplitude relative to measurement antenna height.
  - 2) Rotate the EUT through 360° to determine the maximum emission level relative to the axial position.
  - 3) Return the turntable to the azimuth where the highest emission amplitude level was observed.
  - 4) Vary the measurement antenna height again through 1 m to 4 m again to find the height associated with the maximum emission amplitude.
  - 5) Record the measured emission amplitude level and frequency using the appropriate RBW.
- c) Repeat step b) for each emission frequency with the measurement antenna oriented in both the horizontal and vertical polarizations to determine the orientation that gives the maximum emissions amplitude.
- d) Set-up the substitution measurement with the reference point of the substitution antenna located as near as possible to where the center of the EUT radiating element was located during the initial EUT measurement.
- e) Maintain the previous measurement instrument settings and test set-up, with the exception that the EUT is removed and replaced by the substitution antenna.
- f) Connect a signal generator to the substitution antenna; locate the signal generator so as to minimize any potential influences on the measurement results. Set the signal generator to the frequency where emissions are detected, and set an output power level such that the radiated signal can be detected by the measurement instrument, with sufficient dynamic range relative to the noise floor.
- g) For each emission that was detected and measured in the initial test [i.e., in step b) and step c)]:
  - 1) Vary the measurement antenna height between 1 m to 4 m to maximize the received (measured) signal amplitude.
  - 2) Adjust the signal generator output power level until the amplitude detected by the measurement instrument equals the amplitude level of the emission previously measured directly in step b) and step c).
  - 3) Record the output power level of the signal generator when equivalence is achieved in step 2).
- h) Repeat step e) through step g) with the measurement antenna oriented in the opposite polarization.
- i) Calculate the emission power in dBm referenced to a half-wave dipole using the following equation:
 
$$P_e = P_s(\text{dBm}) - \text{cable loss (dB)} + \text{antenna gain (dBd)}$$
 where
  - $P_e$  = equivalent emission power in dBm
  - $P_s$  = source (signal generator) power in dBm
 NOTE—dBd refers to the measured antenna gain in decibels relative to a half-wave dipole.
- j) Correct the antenna gain of the substitution antenna if necessary to reference the emission power to a half-wave dipole. When using measurement antennas with the gain specified in dBi, the equivalent dipole-referenced gain can be determined from:  $\text{gain (dBd)} = \text{gain (dBi)} - 2.15 \text{ dB}$ . If necessary, the antenna gain can be calculated from calibrated antenna factor information
- k) Provide the complete measurement results as a part of the test report.

## 4. Test DATA AND RESULTS

### 4.1 Antenna Port Test Data and Results for GSM 850 band:

Serial Number:	2A93-1	Test Date:	2023/9/7~2023/9/19
Test Site:	RF	Test Mode:	Transmitting
Tester:	Rod Luo	Test Result:	<b>Pass</b>

#### Environmental Conditions:

Temperature: (°C)	25.8~27.3	Relative Humidity: (%)	47~55	ATM Pressure: (kPa)	101
-------------------	-----------	------------------------	-------	---------------------	-----

#### Test Equipment List and Details:

Manufacturer	Description	Model	Serial Number	Calibration Date	Calibration Due Date
R&S	Spectrum Analyzer	FSU26	200120	2023/4/18	2024/4/17
R&S	Wideband Radio Communication Tester	CMW500	143458	2023/3/31	2024/3/30
Weinschel	Power Splitter	1515	RA914	Each time	N/A
zhuoxiang	Coaxial Cable	SMA-178	211001	Each time	N/A
YINSAIGE	Coaxial Cable	SS402	SJ0100001	Each time	N/A
BACL	TEMP&HUMI Test Chamber	BTH-150-40	30174	2023/3/31	2024/3/30
UNI-T	Multimeter	UT39A+	C210582554	2022/9/29	2023/9/28
ZHAOXIN	DC Power Supply	RXN-6010D	21R6010D0912386	N/A	N/A
eastsheep	Coaxial Attenuator	2W-SMA-JK-18G	21060301	Each time	N/A

\* Statement of Traceability: China Certification ICT Co., Ltd (Dongguan) attests that all calibrations have been performed, traceable to National Primary Standards and International System of Units (SI).

#### Test Frequency for Each Mode:

Operation Modes	Lowest Frequency (MHz)	Middle Frequency (MHz)	Highest Frequency (MHz)
GSM	824.2	836.6	848.8
GPRS	824.2	836.6	848.8
EDGE	824.2	836.6	848.8

**Test Data:**

<b>FCC§2.1046;§ 22.913 (a):RF Output Power</b>					
Test Mode	Conducted Peak Output Power(dBm)			Maximum ERP (dBm)	ERP Limit (dBm)
	Lowest Channel	Middle Channel	Highest Channel		
GSM	32.56	32.66	32.62	25.81	38.45
GPRS 1 Slot	33.29	33.36	33.24	<b>26.51</b>	38.45
GPRS 2 Slots	32	32.08	32.02	25.23	38.45
GPRS 3 Slots	29.8	29.85	29.72	23.00	38.45
GPRS 4 Slots	28.4	28.44	28.34	21.59	38.45
EDGE 1 Slot	27.14	27.26	27.11	<b>20.41</b>	38.45
EDGE 2 Slots	26.94	27.06	26.93	20.21	38.45
EDGE 3 Slots	26.67	26.8	26.7	19.95	38.45
EDGE 4 Slots	26.43	26.51	26.35	19.66	38.45

Note:  
 ERP= Conducted Power(dBm) - Lc(dB) + Gr(dBd)  
 Gr(dBd)=Gr(dBi)-2.15

<b>Result:</b>	<b>Pass</b>
----------------	-------------

<b>Peak-to-average Ratio(PAR)</b>				
Test Mode	Peak-to-average Ratio(dB)			Limit (dB)
	Lowest Channel	Middle Channel	Highest Channel	
GSM	4.78	4.52	4.62	13
EDGE	4.62	4.18	4.33	13

<b>FCC §2.1049, §22.917, §22.905:Occupied Bandwidth</b>						
Operation Mode	99% Occupied Bandwidth (MHz)			26 dB Occupied Bandwidth (MHz)		
	Low Channel	Middle channel	High Channel	Low Channel	Middle Channel	High Channel
GSM	0.246	0.245	0.246	0.319	0.318	0.318
EDGE	0.245	0.243	0.243	0.32	0.318	0.318

Note: The test plots please refer to the Plots of Occupied Bandwidth

<b>FCC §2.1051, §22.917(a):Spurious Emissions at Antenna Terminal</b>	
<b>Result:</b>	<b>Pass, Please refer to the test plots of Spurious Emissions at Antenna Terminal.</b>

<b>FCC §2.1051, §22.917(a):Out of band emission, Band Edge</b>	
<b>Result:</b>	<b>Pass, Please refer to the test plots of Out of band emission, Band Edge.</b>

<b>FCC §2.1055, §22.355: Frequency Stability</b>					
Test Modulation:	GMSK		Test Channel:	836.6	MHz
Test Item	Temperature (°C)	Voltage (V <sub>DC</sub> )	Frequency Error		Limit
			(Hz)	(ppm)	(ppm)
Frequency Stability vs. Temperature	-30	3.85	6.85	0.008	2.5
	-20	3.85	12.04	0.014	2.5
	-10	3.85	9.38	0.011	2.5
	0	3.85	7.39	0.009	2.5
	10	3.85	8.64	0.010	2.5
	20	3.85	15.69	0.019	2.5
	30	3.85	13.54	0.016	2.5
	40	3.85	10.26	0.012	2.5
	50	3.85	12.47	0.015	2.5
Frequency Stability vs. Voltage	20	3.35	8.34	0.010	2.5
	20	4.4	9.24	0.011	2.5
				<b>Result:</b>	<b>Pass</b>

Test Modulation:	8PSK		Test Channel:	836.6	MHz
Test Item	Temperature (°C)	Voltage (V <sub>DC</sub> )	Frequency Error		Limit
			(Hz)	(ppm)	(ppm)
Frequency Stability vs. Temperature	-30	3.85	10.35	0.012	2.5
	-20	3.85	9.15	0.011	2.5
	-10	3.85	6.45	0.008	2.5
	0	3.85	16.43	0.020	2.5
	10	3.85	12.36	0.015	2.5
	20	3.85	21.21	0.025	2.5
	30	3.85	11.05	0.013	2.5
	40	3.85	8.45	0.010	2.5
	50	3.85	9.34	0.011	2.5
Frequency Stability vs. Voltage	20	3.35	11.54	0.014	2.5
	20	4.4	13.5	0.016	2.5
				<b>Result:</b>	<b>Pass</b>

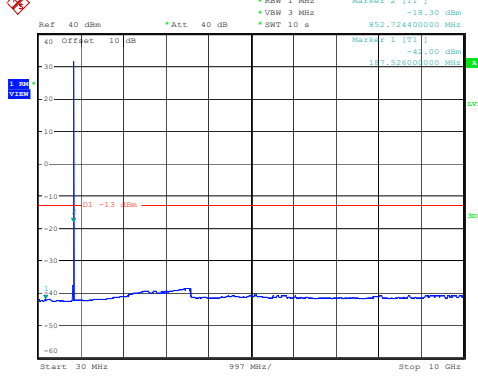
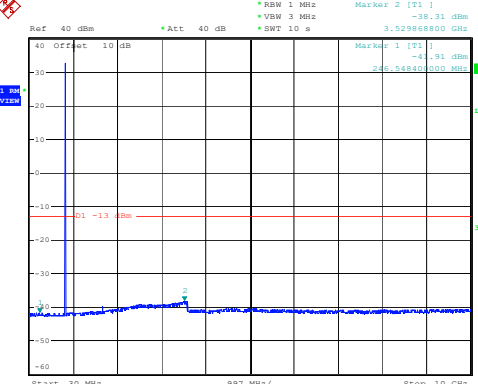
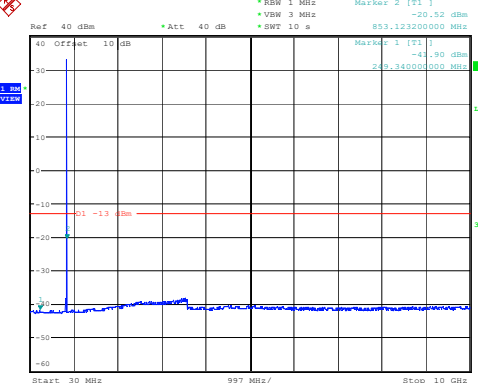
**Test Plots** (Note: The 10 dB is the Insertion loss of the RF cable and Power Splitter, which was offset into the Spectrum Analyzer):

<b>26dB Bandwidth</b>		
<b>Channel</b>	<b>GSM</b>	<b>EDGE</b>
<b>Lowest</b>	<p>ProjectNo.:CR230848964 Tester:Rod Luo Date: 7.SEP.2023 11:30:20</p>	<p>ProjectNo.:CR230848964 Tester:Rod Luo Date: 7.SEP.2023 12:08:02</p>
<b>Middle</b>	<p>ProjectNo.:CR230848964 Tester:Rod Luo Date: 7.SEP.2023 11:36:19</p>	<p>ProjectNo.:CR230848964 Tester:Rod Luo Date: 7.SEP.2023 12:12:36</p>
<b>Highest</b>	<p>ProjectNo.:CR230848964 Tester:Rod Luo Date: 7.SEP.2023 11:41:04</p>	<p>ProjectNo.:CR230848964 Tester:Rod Luo Date: 7.SEP.2023 12:25:16</p>

Occupied Bandwidth

Channel	GSM	EDGE
Lowest	<p>ProjectNo.:CR230848964 Tester:Rod Luo Date: 7.SEP.2023 11:29:28</p>	<p>ProjectNo.:CR230848964 Tester:Rod Luo Date: 7.SEP.2023 12:07:21</p>
Middle	<p>ProjectNo.:CR230848964 Tester:Rod Luo Date: 7.SEP.2023 11:35:38</p>	<p>ProjectNo.:CR230848964 Tester:Rod Luo Date: 7.SEP.2023 12:12:04</p>
Highest	<p>ProjectNo.:CR230848964 Tester:Rod Luo Date: 7.SEP.2023 11:40:12</p>	<p>ProjectNo.:CR230848964 Tester:Rod Luo Date: 7.SEP.2023 12:24:14</p>

Spurious Emissions at Antenna Terminal

Channel	GSM
Lowest	 <p>ProjectNo.:CR230848964 Tester:Rod Luo Date: 19.SEP.2023 14:24:08</p>
Middle	 <p>ProjectNo.:CR230848964 Tester:Rod Luo Date: 19.SEP.2023 14:29:19</p>
Highest	 <p>ProjectNo.:CR230848964 Tester:Rod Luo Date: 19.SEP.2023 14:25:52</p>

Out of band emission, Band Edge

Mode	Lowest	Highest
GSM	<p>                     Ref: 40 dBm *Att: 40 dB *RBW 10 kHz Marker 2 [T1] -22.23 dBm                      *VSW 30 kHz *SWT 20 s 824.00000000 MHz                      Marker 1 [T1] -23.36 dBm                      823.88800000 MHz                 </p> <p>ProjectNo.:CR230848964 Tester:Rod Luo Date: 7.SEP.2023 11:32:35</p>	<p>                     Ref: 40 dBm *Att: 40 dB *RBW 10 kHz Marker 2 [T1] -23.61 dBm                      *VSW 30 kHz *SWT 20 s 849.00000000 MHz                      Marker 1 [T1] -5.172 dBm                      848.88800000 MHz                 </p> <p>ProjectNo.:CR230848964 Tester:Rod Luo Date: 7.SEP.2023 11:42:37</p>
EDGE	<p>                     Ref: 40 dBm *Att: 40 dB *RBW 10 kHz Marker 2 [T1] -27.52 dBm                      *VSW 30 kHz *SWT 20 s 823.00000000 MHz                      Marker 1 [T1] -28.28 dBm                      823.88800000 MHz                 </p> <p>ProjectNo.:CR230848964 Tester:Rod Luo Date: 7.SEP.2023 12:09:01</p>	<p>                     Ref: 30 dBm *Att: 40 dB *RBW 10 kHz Marker 2 [T1] -30.94 dBm                      *VSW 30 kHz *SWT 20 s 849.00000000 MHz                      Marker 1 [T1] -6.97 dBm                      848.88800000 MHz                 </p> <p>ProjectNo.:CR230848964 Tester:Rod Luo Date: 7.SEP.2023 12:26:13</p>



**4.2 Antenna Port Test Data and Results for GSM 1900 band:**

Serial Number:	2A93-1	Test Date:	2023/9/7
Test Site:	RF	Test Mode:	Transmitting
Tester:	Rod Luo	Test Result:	<b>Pass</b>

**Environmental Conditions:**

Temperature: (°C)	27.3	Relative Humidity: (%)	47	ATM Pressure: (kPa)	101
----------------------	------	---------------------------	----	------------------------	-----

**Test Equipment List and Details:**

Manufacturer	Description	Model	Serial Number	Calibration Date	Calibration Due Date
R&S	Spectrum Analyzer	FSU26	200120	2023/4/18	2024/4/17
R&S	Wideband Radio Communication Tester	CMW500	143458	2023/3/31	2024/3/30
Weinschel	Power Splitter	1515	RA914	Each time	N/A
zhuoxiang	Coaxial Cable	SMA-178	211001	Each time	N/A
YINSAIGE	Coaxial Cable	SS402	SJ0100001	Each time	N/A
BACL	TEMP&HUMI Test Chamber	BTH-150-40	30174	2023/3/31	2024/3/30
UNI-T	Multimeter	UT39A+	C210582554	2022/9/29	2023/9/28
ZHAOXIN	DC Power Supply	RXN-6010D	21R6010D0912386	N/A	N/A
eastsheep	Coaxial Attenuator	2W-SMA-JK-18G	21060301	Each time	N/A

\* Statement of Traceability: China Certification ICT Co., Ltd (Dongguan) attests that all calibrations have been performed, traceable to National Primary Standards and International System of Units (SI).

**Test Frequency for Each Mode:**

Operation Modes	Lowest Frequency (MHz)	Middle Frequency (MHz)	Highest Frequency (MHz)
GSM	1850.2	1880	1909.8
GPRS	1850.2	1880	1909.8
EDGE	1850.2	1880	1909.8

**Test Data:**

<b>FCC§2.1046;§ 24.232 (c):RF Output Power</b>					
Test Mode	Conducted Peak Output Power(dBm)			Maximum EIRP (dBm)	EIRP Limit (dBm)
	Lowest Channel	Middle Channel	Highest Channel		
GSM	25.79	25.90	26.30	24.90	33
GPRS 1 Slot	25.84	25.93	26.36	<b>24.96</b>	33
GPRS 2 Slots	25.37	25.43	25.87	24.47	33
GPRS 3 Slots	24.88	24.83	25.22	23.82	33
GPRS 4 Slots	24.32	24.36	24.83	23.43	33
EDGE 1 Slot	25.27	25.33	25.76	<b>24.36</b>	33
EDGE 2 Slots	25.01	25.07	25.50	24.10	33
EDGE 3 Slots	24.76	24.74	25.10	23.70	33
EDGE 4 Slots	24.35	24.38	24.74	23.34	33

Note: EIRP=Conducted Power(dBm) - Lc(dB) + Gr(dBi)

**Result: Pass**

<b>Peak-to-average Ratio(PAR)</b>				
Test Mode	Peak-to-average Ratio(dB)			Limit (dB)
	Lowest Channel	Middle Channel	Highest Channel	
GSM	4.47	4.20	4.36	13
EDGE	4.11	4.07	4.28	13

<b>FCC §2.1049, §24.238:Occupied Bandwidth</b>						
Operation Mode	99% Occupied Bandwidth (MHz)			26 dB Occupied Bandwidth (MHz)		
	Low Channel	Middle channel	High Channel	Low Channel	Middle Channel	High Channel
GSM	0.244	0.247	0.245	0.316	0.321	0.318
EDGE	0.243	0.244	0.244	0.32	0.319	0.315

Note: The test plots please refer to the Plots of Occupied Bandwidth

<b>FCC §2.1051, § 24.238 (a):Spurious Emissions at Antenna Terminal</b>	
<b>Result:</b>	<b>Pass, Please refer to the test plots of Spurious Emissions at Antenna Terminal.</b>

<b>FCC §2.1051, § 24.238 (a):Out of band emission, Band Edge</b>	
<b>Result:</b>	<b>Pass, Please refer to the test plots of Out of band emission, Band Edge.</b>

<b>FCC §2.1055, §24.235: Frequency Stability</b>						
Test Mode:	GMSK	Test Channel: Lowest for Lower Edge,Highest for Upper Edge				
Test Item	Temperature (°C)	Voltage (V <sub>DC</sub> )	Lower Edge (MHz)		Upper Edge (MHz)	
			Result	Limit	Result	Limit
Frequency Stability vs. Temperature	-30	3.85	1850.246	1850.000	1909.894	1910.000
	-20	3.85	1850.342	1850.000	1909.934	1910.000
	-10	3.85	1850.412	1850.000	1909.895	1910.000
	0	3.85	1850.326	1850.000	1909.937	1910.000
	10	3.85	1850.246	1850.000	1909.972	1910.000
	20	3.85	1850.245	1850.000	1909.864	1910.000
	30	3.85	1850.267	1850.000	1909.846	1910.000
	40	3.85	1850.362	1850.000	1909.863	1910.000
	50	3.85	1850.246	1850.000	1909.864	1910.000
Frequency Stability vs. Voltage	20	3.35	1850.324	1850.000	1909.869	1910.000
	20	4.4	1850.264	1850.000	1909.962	1910.000
					<b>Result:</b>	<b>Pass</b>

Test Mode:	8PSK	Test Channel: Lowest for Lower Edge,Highest for Upper Edge				
Test Item	Temperature (°C)	Voltage (V <sub>DC</sub> )	Lower Edge (MHz)		Upper Edge (MHz)	
			Result	Limit	Result	Limit
Frequency Stability vs. Temperature	-30	3.85	1850.264	1850.000	1909.312	1910.000
	-20	3.85	1850.243	1850.000	1909.135	1910.000
	-10	3.85	1850.453	1850.000	1909.126	1910.000
	0	3.85	1850.372	1850.000	1909.326	1910.000
	10	3.85	1850.237	1850.000	1909.127	1910.000
	20	3.85	1850.314	1850.000	1909.324	1910.000
	30	3.85	1850.361	1850.000	1909.125	1910.000
	40	3.85	1850.315	1850.000	1909.264	1910.000
	50	3.85	1850.247	1850.000	1909.328	1910.000
Frequency Stability vs. Voltage	20	3.35	1850.234	1850.000	1909.361	1910.000
	20	4.4	1850.325	1850.000	1909.258	1910.000
					<b>Result:</b>	<b>Pass</b>

**Test Plots** (Note: The 10.5 dB is the Insertion loss of the RF cable and Power Splitter, which was offset into the Spectrum Analyzer):

		<b>26dB Bandwidth</b>	
<b>Channel</b>	<b>GSM</b>	<b>EDGE</b>	
<b>Lowest</b>	<p>ProjectNo.:CR230848964 Tester:Rod Luo Date: 7.SEP.2023 10:29:25</p>	<p>ProjectNo.:CR230848964 Tester:Rod Luo Date: 7.SEP.2023 11:07:10</p>	
<b>Middle</b>	<p>ProjectNo.:CR230848964 Tester:Rod Luo Date: 7.SEP.2023 10:36:13</p>	<p>ProjectNo.:CR230848964 Tester:Rod Luo Date: 7.SEP.2023 11:14:28</p>	
<b>Highest</b>	<p>ProjectNo.:CR230848964 Tester:Rod Luo Date: 7.SEP.2023 10:40:34</p>	<p>ProjectNo.:CR230848964 Tester:Rod Luo Date: 7.SEP.2023 11:20:30</p>	

Occupied Bandwidth

Channel	GSM	EDGE
Lowest	<p>ProjectNo.:CR230848964 Tester:Rod Luo Date: 7.SEP.2023 10:28:53</p>	<p>ProjectNo.:CR230848964 Tester:Rod Luo Date: 7.SEP.2023 11:06:28</p>
Middle	<p>ProjectNo.:CR230848964 Tester:Rod Luo Date: 7.SEP.2023 10:35:32</p>	<p>ProjectNo.:CR230848964 Tester:Rod Luo Date: 7.SEP.2023 11:13:37</p>
Highest	<p>ProjectNo.:CR230848964 Tester:Rod Luo Date: 7.SEP.2023 10:39:43</p>	<p>ProjectNo.:CR230848964 Tester:Rod Luo Date: 7.SEP.2023 11:19:59</p>

Spurious Emissions at Antenna Terminal

Channel	GSM	
Lowest	<p>ProjectNo.:CR230848964 Tester:Rod Luo Date: 7.SEP.2023 10:34:34</p>	<p>ProjectNo.:CR230848964 Tester:Rod Luo Date: 7.SEP.2023 10:32:51</p>
Middle	<p>ProjectNo.:CR230848964 Tester:Rod Luo Date: 7.SEP.2023 10:37:24</p>	<p>ProjectNo.:CR230848964 Tester:Rod Luo Date: 7.SEP.2023 10:38:13</p>
Highest	<p>ProjectNo.:CR230848964 Tester:Rod Luo Date: 7.SEP.2023 10:42:15</p>	<p>ProjectNo.:CR230848964 Tester:Rod Luo Date: 7.SEP.2023 10:43:05</p>

Out of band emission, Band Edge

Channel	Lowest	Highest
GSM	<p>ProjectNo.:CR230848964 Tester:Rod Luo Date: 7.SEP.2023 10:30:58</p>	<p>ProjectNo.:CR230848964 Tester:Rod Luo Date: 7.SEP.2023 10:41:40</p>
EDGE	<p>ProjectNo.:CR230848964 Tester:Rod Luo Date: 7.SEP.2023 11:07:59</p>	<p>ProjectNo.:CR230848964 Tester:Rod Luo Date: 7.SEP.2023 11:21:36</p>

**4.3 Antenna Port Test Data and Results for WCDMA Band 2:**

Serial Number:	2A93-1	Test Date:	2023/9/7
Test Site:	RF	Test Mode:	Transmitting
Tester:	Rod Luo	Test Result:	Pass

**Environmental Conditions:**

Temperature: (°C)	27.3	Relative Humidity: (%)	47	ATM Pressure: (kPa)	101
----------------------	------	------------------------------	----	------------------------	-----

**Test Equipment List and Details:**

Manufacturer	Description	Model	Serial Number	Calibration Date	Calibration Due Date
R&S	Spectrum Analyzer	FSU26	200120	2023/4/18	2024/4/17
R&S	Wideband Radio Communication Tester	CMW500	143458	2023/3/31	2024/3/30
Weinschel	Power Splitter	1515	RA914	Each time	N/A
zhuoxiang	Coaxial Cable	SMA-178	211001	Each time	N/A
YINSAIGE	Coaxial Cable	SS402	SJ0100001	Each time	N/A
BACL	TEMP&HUMI Test Chamber	BTH-150-40	30174	2023/3/31	2024/3/30
UNI-T	Multimeter	UT39A+	C210582554	2022/9/29	2023/9/28
ZHAOXIN	DC Power Supply	RXN-6010D	21R6010D0912386	N/A	N/A
eastsheep	Coaxial Attenuator	2W-SMA-JK-18G	21060301	Each time	N/A

\* Statement of Traceability: China Certification ICT Co., Ltd (Dongguan) attests that all calibrations have been performed, traceable to National Primary Standards and International System of Units (SI).

**Test Frequency for Each Mode:**

Operation Modes	Lowest Frequency (MHz)	Middle Frequency (MHz)	Highest Frequency (MHz)
WCDMA Band 2	1852.4	1880	1907.6



**Test Data:****FCC§2.1046;§ 24.232****RF Output Power:**

Test Mode	Conducted Average Output Power(dBm)			Maximum EIRP (dBm)	EIRP Limit (dBm)
	Lowest Channel	Middle Channel	Highest Channel		
WCDMA R99	17.27	17.09	17.19	<b>15.87</b>	33
HSDPA Subtest 1	14.59	14.5	14.68	13.28	33
HSDPA Subtest 2	14.53	14.55	14.63	13.23	33
HSDPA Subtest 3	14.48	14.57	14.65	13.25	33
HSDPA Subtest 4	14.54	14.52	14.59	13.19	33
HSUPA Subtest 1	14.52	14.09	14.09	13.12	33
HSUPA Subtest 2	14.45	14.05	14.08	13.05	33
HSUPA Subtest 3	14.52	14.03	14.12	13.12	33
HSUPA Subtest 4	14.48	14.04	14.15	13.08	33
HSUPA Subtest 5	14.46	14.08	14.06	13.06	33
HSPA+ Subtest 1	13.25	13.29	13.22	11.89	33

Note: EIRP=Conducted Power(dBm) - Lc(dB) + Gr(dBi)

**Result:****Pass****Peak-to-average Ratio(PAR)**

Test Mode	Peak-to-average Ratio(dB)			Limit (dB)
	Lowest Channel	Middle Channel	Highest Channel	
WCDMA R99	2.92	2.92	2.95	13
HSDPA	4.17	4.58	4.62	13
HSUPA	5.35	5.48	5.45	13

**Result:****Pass****FCC §2.1049, §24.238:Occupied Bandwidth**

Operation Mode	99% Occupied Bandwidth (MHz)			26 dB Occupied Bandwidth (MHz)		
	Low Channel	Middle channel	High Channel	Low Channel	Middle Channel	High Channel
WCDMA R99	4.170	4.170	4.170	4.740	4.755	4.740
HSDPA	4.185	4.185	4.200	4.740	4.740	4.725
HSUPA	4.200	4.185	4.200	4.725	4.725	4.740

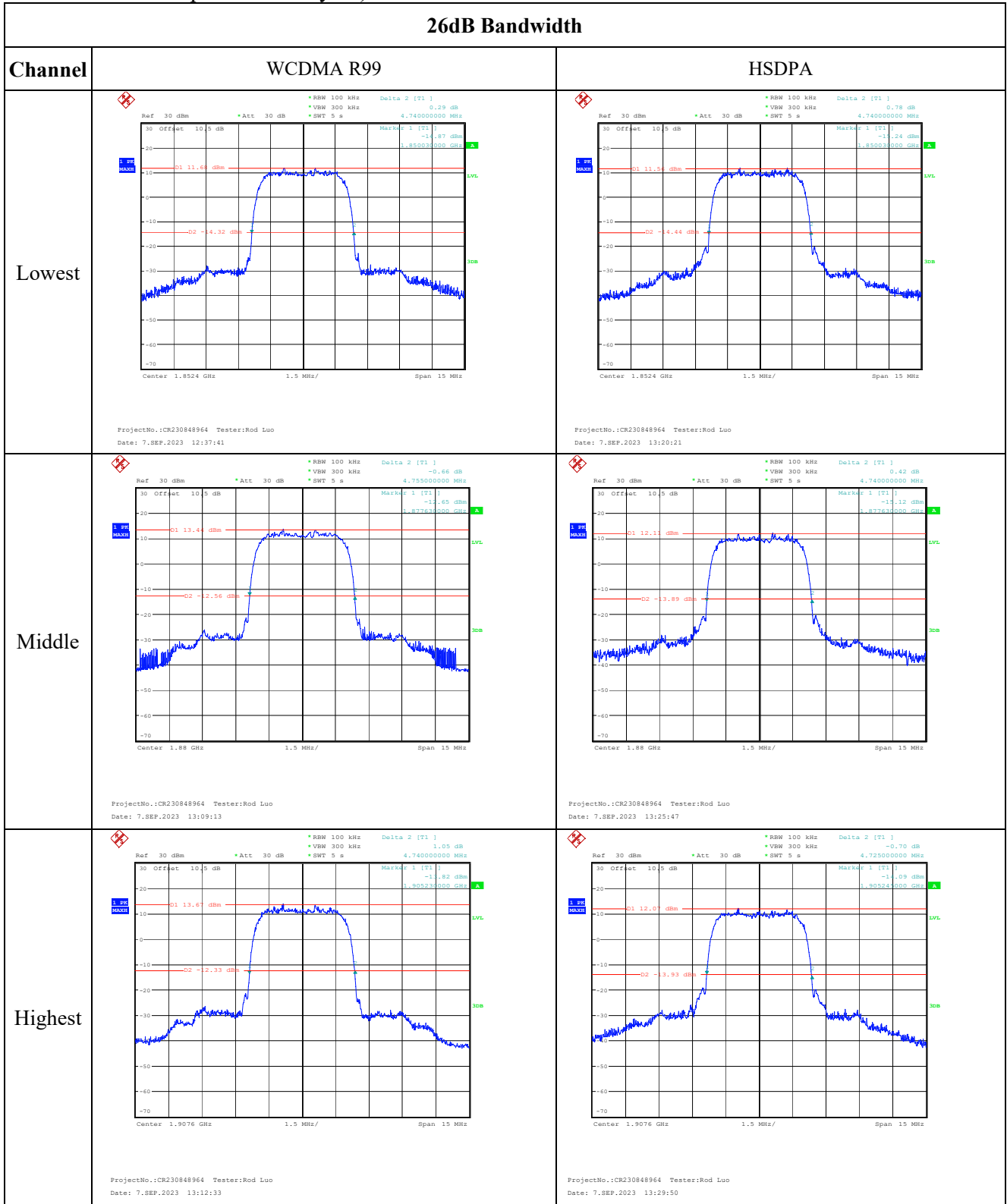
Note: The test plots please refer to the Plots of Occupied Bandwidth

**FCC §2.1051, § 24.238 (a):Spurious Emissions at Antenna Terminal****Result:****Pass, Please refer to the test plots of Spurious Emissions at Antenna Terminal.**

<b>FCC §2.1051, § 24.238 (a):Out of band emission, Band Edge</b>	
<b>Result:</b>	<b>Pass, Please refer to the test plots of Out of band emission, Band Edge.</b>

<b>FCC §2.1055, §24.235: Frequency Stability</b>						
Test Mode:	WCDMA R99	Test Channel: Lowest for Lower Edge,Highest for Upper Edge				
Test Item	Temperature (°C)	Voltage (V <sub>DC</sub> )	Lower Edge (MHz)		Upper Edge (MHz)	
			Result	Limit	Result	Limit
Frequency Stability vs. Temperature	-30	3.85	1850.112	1850.000	1909.982	1910.000
	-20	3.85	1850.264	1850.000	1909.867	1910.000
	-10	3.85	1850.351	1850.000	1909.884	1910.000
	0	3.85	1850.267	1850.000	1909.864	1910.000
	10	3.85	1850.341	1850.000	1909.867	1910.000
	20	3.85	1850.269	1850.000	1909.874	1910.000
	30	3.85	1850.164	1850.000	1909.964	1910.000
	40	3.85	1850.153	1850.000	1909.650	1910.000
	50	3.85	1850.267	1850.000	1909.748	1910.000
Frequency Stability vs. Voltage	20	3.35	1850.257	1850.000	1909.864	1910.000
	20	4.4	1850.310	1850.000	1909.862	1910.000
					<b>Result:</b>	<b>Pass</b>

**Test Plots** (Note: The 10.5 dB is the Insertion loss of the RF cable and Power Splitter, which was offset into the Spectrum Analyzer):



26dB Bandwidth

Channel	HSUPA
Lowest	<p>ProjectNo.:CR230848964 Tester:Rod Luo Date: 7_SEP.2023 13:38:33</p>
Middle	<p>ProjectNo.:CR230848964 Tester:Rod Luo Date: 7_SEP.2023 13:43:58</p>
Highest	<p>ProjectNo.:CR230848964 Tester:Rod Luo Date: 7_SEP.2023 13:49:14</p>

Occupied Bandwidth

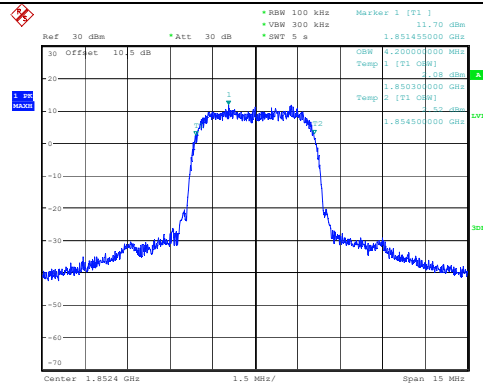
Channel	WCDMA R99	HSDPA
Lowest	<p>ProjectNo.:CR230848964 Tester:Rod Luo Date: 7.SEP.2023 12:37:00</p>	<p>ProjectNo.:CR230848964 Tester:Rod Luo Date: 7.SEP.2023 13:19:40</p>
Middle	<p>ProjectNo.:CR230848964 Tester:Rod Luo Date: 7.SEP.2023 13:07:40</p>	<p>ProjectNo.:CR230848964 Tester:Rod Luo Date: 7.SEP.2023 13:24:51</p>
Highest	<p>ProjectNo.:CR230848964 Tester:Rod Luo Date: 7.SEP.2023 13:12:08</p>	<p>ProjectNo.:CR230848964 Tester:Rod Luo Date: 7.SEP.2023 13:28:54</p>

### Occupied Bandwidth

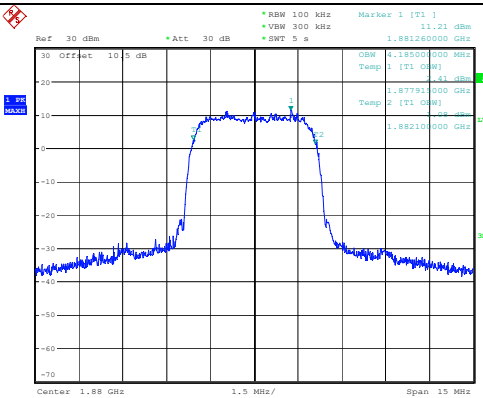
Channel

HSUPA

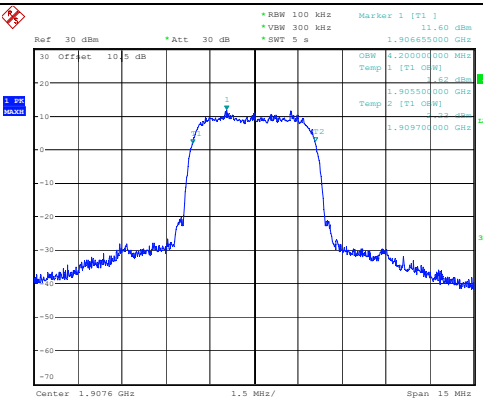
Lowest



Middle



Highest



Spurious Emissions at Antenna Terminal

Channel	WCDMA R99	
Lowest	<p>ProjectNo.:CR230848964 Tester:Rod Luo Date: 7.SEP.2023 12:38:34</p>	<p>ProjectNo.:CR230848964 Tester:Rod Luo Date: 7.SEP.2023 12:39:03</p>
Middle	<p>ProjectNo.:CR230848964 Tester:Rod Luo Date: 7.SEP.2023 13:09:40</p>	<p>ProjectNo.:CR230848964 Tester:Rod Luo Date: 7.SEP.2023 13:10:09</p>
Highest	<p>ProjectNo.:CR230848964 Tester:Rod Luo Date: 7.SEP.2023 13:13:27</p>	<p>ProjectNo.:CR230848964 Tester:Rod Luo Date: 7.SEP.2023 13:13:56</p>

Out of band emission, Band Edge

Mode	Lowest	Highest
R99	<p>ProjectNo.:CR230848964 Tester:Rod Luo Date: 7.SEP.2023 12:38:08</p>	<p>ProjectNo.:CR230848964 Tester:Rod Luo Date: 7.SEP.2023 13:13:01</p>
HSUPA	<p>ProjectNo.:CR230848964 Tester:Rod Luo Date: 7.SEP.2023 13:39:00</p>	<p>ProjectNo.:CR230848964 Tester:Rod Luo Date: 7.SEP.2023 13:49:40</p>
HSDPA	<p>ProjectNo.:CR230848964 Tester:Rod Luo Date: 7.SEP.2023 13:20:48</p>	<p>ProjectNo.:CR230848964 Tester:Rod Luo Date: 7.SEP.2023 13:30:17</p>



**4.4 Antenna Port Test Data and Results for WCDMA Band 4:**

Serial Number:	2A93-1	Test Date:	2023/9/7
Test Site:	RF	Test Mode:	Transmitting
Tester:	Rod Luo	Test Result:	Pass

**Environmental Conditions:**

Temperature: (°C)	27.3	Relative Humidity: (%)	47	ATM Pressure: (kPa)	101
----------------------	------	---------------------------	----	------------------------	-----

**Test Equipment List and Details:**

Manufacturer	Description	Model	Serial Number	Calibration Date	Calibration Due Date
R&S	Spectrum Analyzer	FSU26	200120	2023/4/18	2024/4/17
R&S	Wideband Radio Communication Tester	CMW500	143458	2023/3/31	2024/3/30
Weinschel	Power Splitter	1515	RA914	Each time	N/A
zhuoxiang	Coaxial Cable	SMA-178	211001	Each time	N/A
YINSAIGE	Coaxial Cable	SS402	SJ0100001	Each time	N/A
BACL	TEMP&HUMI Test Chamber	BTH-150-40	30174	2023/3/31	2024/3/30
UNI-T	Multimeter	UT39A+	C210582554	2022/9/29	2023/9/28
ZHAOXIN	DC Power Supply	RXN-6010D	21R6010D0912386	N/A	N/A
eastsheep	Coaxial Attenuator	2W-SMA-JK-18G	21060301	Each time	N/A

\* Statement of Traceability: China Certification ICT Co., Ltd (Dongguan) attests that all calibrations have been performed, traceable to National Primary Standards and International System of Units (SI).

**Test Frequency for Each Mode:**

Operation Modes	Lowest Frequency (MHz)	Middle Frequency (MHz)	Highest Frequency (MHz)
WCDMA Band 4	1712.4	1732.6	1752.6

**Test Data:**

<b>FCC§2.1046;§27.50(d)(4) RF Output Power:</b>					
Test Mode	Conducted Average Output Power(dBm)			Maximum EIRP (dBm)	EIRP Limit (dBm)
	Lowest Channel	Middle Channel	Highest Channel		
WCDMA R99	18.78	18.85	18.81	<b>17.65</b>	30
HSDPA Subtest 1	16.36	16.24	16.18	15.16	30
HSDPA Subtest 2	16.33	16.26	16.15	15.13	30
HSDPA Subtest 3	16.45	16.22	16.12	15.25	30
HSDPA Subtest 4	16.26	16.36	16.08	15.16	30
HSUPA Subtest 1	15.66	15.96	16.12	14.92	30
HSUPA Subtest 2	15.62	15.86	16.13	14.93	30
HSUPA Subtest 3	15.66	15.85	16.08	14.88	30
HSUPA Subtest 4	15.73	15.89	16.07	14.87	30
HSUPA Subtest 5	15.74	15.76	16.06	14.86	30
HSPA+ Subtest 1	14.17	14.16	14.26	13.06	30

Note: EIRP=Conducted Power(dBm) - Lc(dB) + Gr(dBi)

<b>Result:</b>	<b>Pass</b>
----------------	-------------

<b>Peak-to-average Ratio(PAR)</b>				
Test Mode	Peak-to-average Ratio(dB)			Limit (dB)
	Lowest Channel	Middle Channel	Highest Channel	
WCDMA R99	3.04	3.11	2.92	13
HSDPA	4.23	4.94	4.87	13
HSUPA	5.32	5.42	5.67	13

<b>Result:</b>	<b>Pass</b>
----------------	-------------

<b>FCC §2.1049, §27.53:Occupied Bandwidth</b>						
Operation Mode	99% Occupied Bandwidth (MHz)			26 dB Occupied Bandwidth (MHz)		
	Low Channel	Middle channel	High Channel	Low Channel	Middle Channel	High Channel
WCDMA	4.380	4.395	4.170	4.965	10.635	4.740
HSDPA	4.320	4.440	4.410	6.135	6.810	8.760
HSUPA	4.335	4.485	4.470	6.375	10.515	7.860

Note: The test plots please refer to the Plots of Occupied Bandwidth

<b>FCC §2.1051, § 27.53:Spurious Emissions at Antenna Terminal</b>	
<b>Result:</b>	<b>Pass, Please refer to the test plots of Spurious Emissions at Antenna Terminal.</b>

**FCC §2.1051, § 27.53: Out of band emission, Band Edge**

<b>Result:</b>	<b>Pass, Please refer to the test plots of Out of band emission, Band Edge.</b>
----------------	---

**FCC §2.1055, §27.54: Frequency Stability**

Test Mode:	WCDMA R99	Test Channel: Lowest for Lower Edge, Highest for Upper Edge				
Test Item	Temperature (°C)	Voltage (V <sub>bc</sub> )	Lower Edge (MHz)		Upper Edge (MHz)	
			Result	Limit	Result	Limit
Frequency Stability vs. Temperature	-30	3.85	1710.125	1710.000	1754.956	1755.000
	-20	3.85	1710.143	1710.000	1754.894	1755.000
	-10	3.85	1710.142	1710.000	1754.962	1755.000
	0	3.85	1710.124	1710.000	1754.982	1755.000
	10	3.85	1710.135	1710.000	1754.961	1755.000
	20	3.85	1710.143	1710.000	1754.869	1755.000
	30	3.85	1710.159	1710.000	1754.896	1755.000
	40	3.85	1710.213	1710.000	1754.856	1755.000
Frequency Stability vs. Voltage	50	3.85	1710.125	1710.000	1754.896	1755.000
	20	3.35	1710.421	1710.000	1754.897	1755.000
	20	4.4	1710.254	1710.000	1754.963	1755.000
<b>Result:</b>					<b>Pass</b>	

**Test Plots** (Note: The 10.5 dB is the Insertion loss of the RF cable and Power Splitter, which was offset into the Spectrum Analyzer):

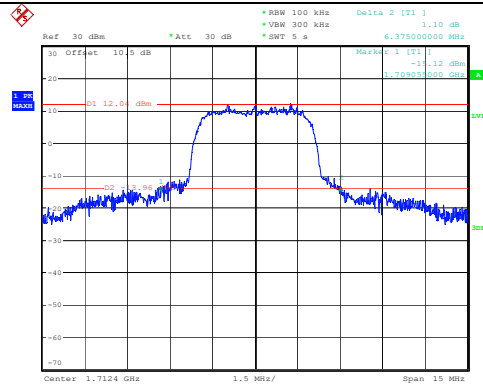
<b>26dB Bandwidth</b>		
<b>Channel</b>	<b>WCDMA R99</b>	<b>HSDPA</b>
<b>Lowest</b>	<p>Ref 30 dBm *Att 30 dB *SWT 5 s *RBW 100 kHz *VBW 300 kHz Delta 2 [F1] -8.96 dB              Marked: 1 [F1] -1.89 dBm              D1 13.19 dBm              D2 -30.63 dBm              -31.004 dBm GHz              Center 1.7124 GHz 1.5 MHz/ Span 15 MHz</p> <p>ProjectNo.:CR230848964 Tester:Rod Luo Date: 7.SEP.2023 14:38:49</p>	<p>Ref 30 dBm *Att 30 dB *SWT 5 s *RBW 100 kHz *VBW 300 kHz Delta 2 [F1] 0.02 dB              Marked: 1 [F1] -1.85 dBm              D1 12.14 dBm              D2 -30.63 dBm              -30.63 dBm GHz              Center 1.7124 GHz 1.5 MHz/ Span 15 MHz</p> <p>ProjectNo.:CR230848964 Tester:Rod Luo Date: 7.SEP.2023 14:44:07</p>
<b>Middle</b>	<p>Ref 30 dBm *Att 30 dB *SWT 5 s *RBW 100 kHz *VBW 300 kHz Delta 2 [F1] -3.99 dB              Marked: 1 [F1] -1.88 dBm              D1 13.98 dBm              D2 -30.921 dBm GHz              Center 1.7326 GHz 1.5 MHz/ Span 15 MHz</p> <p>ProjectNo.:CR230848964 Tester:Rod Luo Date: 7.SEP.2023 14:30:31</p>	<p>Ref 30 dBm *Att 30 dB *SWT 5 s *RBW 100 kHz *VBW 300 kHz Delta 2 [F1] 6.810000000 MHz              Marked: 1 [F1] -1.15 dBm              D1 12.84 dBm              D2 -30.63 dBm              -30.63 dBm GHz              Center 1.7326 GHz 1.5 MHz/ Span 15 MHz</p> <p>ProjectNo.:CR230848964 Tester:Rod Luo Date: 7.SEP.2023 14:51:37</p>
<b>Highest</b>	<p>Ref 30 dBm *Att 30 dB *SWT 5 s *RBW 100 kHz *VBW 300 kHz Delta 2 [F1] 0.90 dB              Marked: 1 [F1] -1.02 dBm              D1 14.09 dBm              D2 -31.75023 dBm GHz              Center 1.7526 GHz 1.5 MHz/ Span 15 MHz</p> <p>ProjectNo.:CR230848964 Tester:Rod Luo Date: 7.SEP.2023 14:35:00</p>	<p>Ref 30 dBm *Att 30 dB *SWT 5 s *RBW 100 kHz *VBW 300 kHz Delta 2 [F1] 8.760000000 MHz              Marked: 1 [F1] -1.05 dBm              D1 13.19 dBm              D2 -31.74816 dBm GHz              Center 1.7526 GHz 1.5 MHz/ Span 15 MHz</p> <p>ProjectNo.:CR230848964 Tester:Rod Luo Date: 7.SEP.2023 14:58:46</p>

26dB Bandwidth

Channel

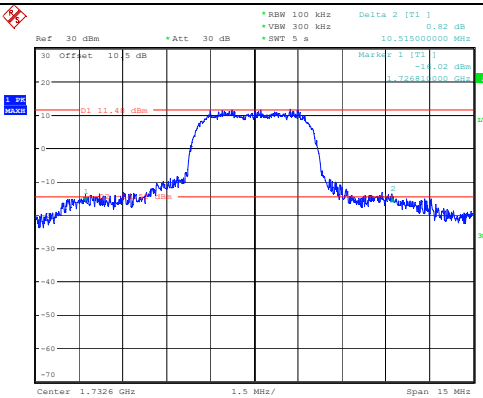
HSUPA

Lowest



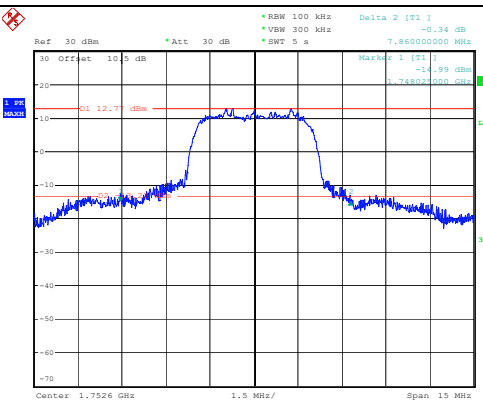
ProjectNo.:CR230848964    Tester:Rod Luo  
Date: 7\_SEP.2023 15:07:18

Middle



ProjectNo.:CR230848964    Tester:Rod Luo  
Date: 7\_SEP.2023 15:14:01

Highest



ProjectNo.:CR230848964    Tester:Rod Luo  
Date: 7\_SEP.2023 15:24:26

Occupied Bandwidth

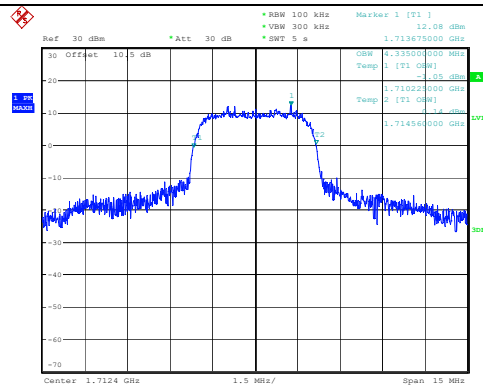
Channel	WCDMA R99	HSDPA
Lowest		
Middle		
Highest		

Occupied Bandwidth

Channel

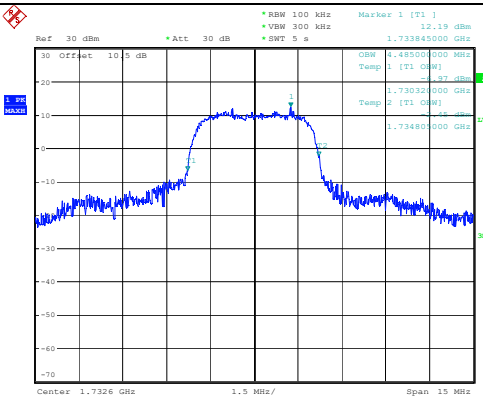
HSUPA

Lowest



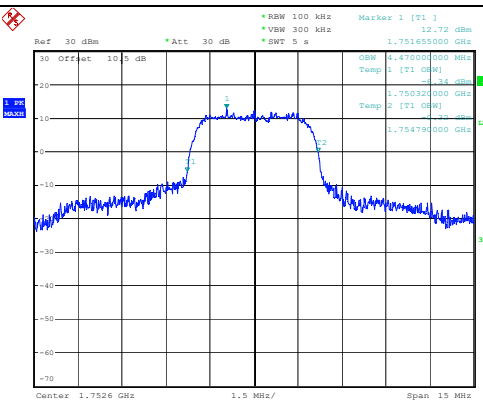
ProjectNo.:CR230848964    Tester:Rod Luo  
Date: 7\_SEP.2023 15:06:17

Middle



ProjectNo.:CR230848964    Tester:Rod Luo  
Date: 7\_SEP.2023 15:12:33

Highest



ProjectNo.:CR230848964    Tester:Rod Luo  
Date: 7\_SEP.2023 15:23:14

Spurious Emissions at Antenna Terminal

Channel	WCDMA R99	
Lowest	<p>Ref 30 dBm *Att 30 dB *SWT 15 s *RBW 1 MHz *VBW 3 MHz *Marker 2 [F1] -46.36 dBm            2.112134800 GHz            Marker 1 [F1] -5.15 dBm            2.112134800 GHz</p> <p>Start 30 MHz 997 MHz/ Stop 10 GHz</p> <p>ProjectNo.:CR230848964 Tester:Rod Luo Date: 7.SEP.2023 14:25:40</p>	<p>Ref 30 dBm *Att 30 dB *SWT 15 s *RBW 1 MHz *VBW 3 MHz *Marker 1 [F1] -49.08 dBm            19.526000000 GHz</p> <p>Start 10 GHz 1 GHz/ Stop 20 GHz</p> <p>ProjectNo.:CR230848964 Tester:Rod Luo Date: 7.SEP.2023 14:26:29</p>
Middle	<p>Ref 30 dBm *Att 30 dB *SWT 15 s *RBW 1 MHz *VBW 3 MHz *Marker 2 [F1] -46.52 dBm            2.132872400 GHz            Marker 1 [F1] -5.14 dBm            2.132872400 GHz</p> <p>Start 30 MHz 997 MHz/ Stop 10 GHz</p> <p>ProjectNo.:CR230848964 Tester:Rod Luo Date: 7.SEP.2023 14:31:42</p>	<p>Ref 30 dBm *Att 30 dB *SWT 15 s *RBW 1 MHz *VBW 3 MHz *Marker 1 [F1] -49.11 dBm            19.528000000 GHz</p> <p>Start 10 GHz 1 GHz/ Stop 20 GHz</p> <p>ProjectNo.:CR230848964 Tester:Rod Luo Date: 7.SEP.2023 14:32:31</p>
Highest	<p>Ref 30 dBm *Att 30 dB *SWT 15 s *RBW 1 MHz *VBW 3 MHz *Marker 2 [F1] -46.35 dBm            2.151616000 GHz            Marker 1 [F1] -5.19 dBm            2.151616000 GHz</p> <p>Start 30 MHz 997 MHz/ Stop 10 GHz</p> <p>ProjectNo.:CR230848964 Tester:Rod Luo Date: 7.SEP.2023 14:36:16</p>	<p>Ref 30 dBm *Att 30 dB *SWT 15 s *RBW 1 MHz *VBW 3 MHz *Marker 1 [F1] -49.10 dBm            19.524000000 GHz</p> <p>Start 10 GHz 1 GHz/ Stop 20 GHz</p> <p>ProjectNo.:CR230848964 Tester:Rod Luo Date: 7.SEP.2023 14:37:04</p>



Out of band emission, Band Edge

Mode	Lowest	Highest
R99		
HSUPA		
HSDPA		

**4.5 Antenna Port Test Data and Results for WCDMA Band 5:**

Serial Number:	2A93-1	Test Date:	2023/9/7~2023/9/19
Test Site:	RF	Test Mode:	Transmitting
Tester:	Rod Luo	Test Result:	Pass

**Environmental Conditions:**

Temperature: (°C)	25.8~27.3	Relative Humidity: (%)	55	ATM Pressure: (kPa)	101
----------------------	-----------	---------------------------	----	------------------------	-----

**Test Equipment List and Details:**

Manufacturer	Description	Model	Serial Number	Calibration Date	Calibration Due Date
R&S	Spectrum Analyzer	FSU26	200120	2023/4/18	2024/4/17
R&S	Wideband Radio Communication Tester	CMW500	143458	2023/3/31	2024/3/30
Weinschel	Power Splitter	1515	RA914	Each time	N/A
zhuoxiang	Coaxial Cable	SMA-178	211001	Each time	N/A
YINSAIGE	Coaxial Cable	SS402	SJ0100001	Each time	N/A
BACL	TEMP&HUMI Test Chamber	BTH-150-40	30174	2023/3/31	2024/3/30
UNI-T	Multimeter	UT39A+	C210582554	2022/9/29	2023/9/28
ZHAOXIN	DC Power Supply	RXN-6010D	21R6010D0912386	N/A	N/A
eastsheep	Coaxial Attenuator	2W-SMA-JK-18G	21060301	Each time	N/A

\* Statement of Traceability: China Certification ICT Co., Ltd (Dongguan) attests that all calibrations have been performed, traceable to National Primary Standards and International System of Units (SI).

**Test Frequency:**

Operation Modes	Lowest Frequency (MHz)	Middle Frequency (MHz)	Highest Frequency (MHz)
WCDMA Band 5	826.4	836.6	846.6

**Test Data:****FCC§2.1046;§ 22.913 (a)****RF Output Power:**

Test Mode	Conducted Average Output Power(dBm)			Maximum ERP (dBm)	ERP Limit (dBm)
	Lowest Channel	Middle Channel	Highest Channel		
WCDMA R99	23.86	23.75	23.73	<b>17.01</b>	38.45
HSDPA Subtest 1	21.43	21.35	20.94	14.58	38.45
HSDPA Subtest 2	21.36	21.32	20.98	14.51	38.45
HSDPA Subtest 3	21.42	21.28	20.94	14.57	38.45
HSDPA Subtest 4	21.41	21.34	20.86	14.56	38.45
HSUPA Subtest 1	22.06	21.78	22.19	15.34	38.45
HSUPA Subtest 2	22.04	21.74	22.13	15.28	38.45
HSUPA Subtest 3	22.13	21.78	22.12	15.28	38.45
HSUPA Subtest 4	22.10	21.76	22.24	15.39	38.45
HSUPA Subtest 5	22.14	21.78	22.19	15.34	38.45
HSPA+ Subtest 1	21.63	21.64	21.59	14.79	38.45

Note:  
 $ERP = \text{Conducted Power(dBm)} - L_c(\text{dB}) + G_T(\text{dBd})$   
 $G_T(\text{dBd}) = G_T(\text{dBi}) - 2.15$

<b>Result:</b>	<b>Pass</b>
----------------	-------------

**Peak-to-average Ratio(PAR)**

Test Mode	Peak-to-average Ratio(dB)			Limit (dB)
	Lowest Channel	Middle Channel	Highest Channel	
WCDMA R99	2.88	2.82	3.11	13
HSDPA	4.62	4.62	6.57	13
HSUPA	4.58	5.00	5.26	13

<b>Result:</b>	<b>Pass</b>
----------------	-------------

**FCC §2.1049, §22.917, §22.905:Occupied Bandwidth**

Operation Mode	99% Occupied Bandwidth (MHz)			26 dB Occupied Bandwidth (MHz)		
	Low Channel	Middle channel	High Channel	Low Channel	Middle Channel	High Channel
WCDMA R99	4.170	4.155	4.170	4.740	4.755	4.740
HSDPA	4.170	4.170	4.140	4.725	4.725	4.710
HSUPA	4.170	4.185	4.185	4.740	4.725	4.725

Note: The test plots please refer to the Plots of Occupied Bandwidth

**FCC §2.1051, §22.917(a):Spurious Emissions at Antenna Terminal**

<b>Result:</b>	<b>Pass, Please refer to the test plots of Spurious Emissions at Antenna Terminal.</b>
----------------	--

**FCC §2.1051, §22.917(a):Out of band emission, Band Edge****Result: Pass, Please refer to the test plots of Out of band emission, Band Edge.****FCC §2.1055, §22.355: Frequency Stability**

Test Modulation:	WCDMA R99		Test Channel:	836.6	MHz
Test Item	Temperature (°C)	Voltage (V <sub>DC</sub> )	Frequency Error		Limit
			(Hz)	(ppm)	(ppm)
Frequency Stability vs. Temperature	-30	3.85	21.52	0.026	2.5
	-20	3.85	24.13	0.029	2.5
	-10	3.85	21.21	0.025	2.5
	0	3.85	18.36	0.022	2.5
	10	3.85	17.46	0.021	2.5
	20	3.85	19.20	0.023	2.5
	30	3.85	17.36	0.021	2.5
	40	3.85	22.54	0.027	2.5
Frequency Stability vs. Voltage	50	3.85	23.64	0.028	2.5
	20	3.35	25.14	0.030	2.5
	20	4.4	16.87	0.020	2.5
<b>Result:</b>				<b>Pass</b>	