

User Manual

Mobile Phone

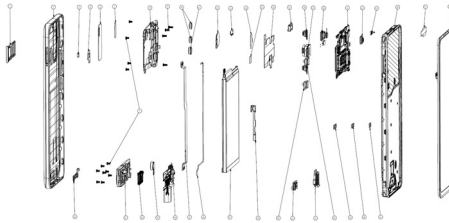
CD7

TECNO

TECNO MOBILE LIMITED

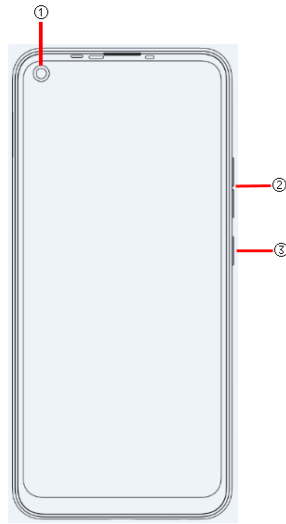
ROOM 604 6/F SOUTH TOWER WORLD, FINANCE CTR
HARBOUR CITY 17 CANTON ROAD TST KL, Hong Kong

Explosion diagram specification



1	card holder CD7	2	Bat cover asm CD7 PC
3	FP Con foam 3.4*3.4 CD7	4	FP support mylar 13.2*13.2 CD7
5	R CAM Lens CD7 KN3 0.5 Black	6	REC Con foams 15*5.6 CD7
7	machine screw silver glue	8	UP frame asm CD7 Black
9	machine screw black	10	R CAM Rubber CD7 2M Grey
11	R vice CAM Rubber CD7 8W Black	12	FM 04 Glaze Blue fingerchip
13	FPC REC KC3	14	R CAM Con foams 15.2*13.8 CD7
15	R CAM Con foam 6.4*6.4 CD7	16	PCBA MB radiating foil CD7
17	REC 12DBW H20 broadband Goer	18	CAM FF 2M GC2375H A V1.0
19	CAM FF 2M GC2375H B V1.0	20	CAM FF 16M S5K3P9 CC7 TS V1.0
21	PCBA MB H6214 A1 64GB+4GB V1.1	22	F CAM Rubber CD7 16M Black
23	Distance Sensor Rubber CD7 Black	24	F hsg asm CD7 Black PC+10%GF+Ti-alloy
25	UP frame mylar 39*11.1 CD7	26	FL(CTP+LCM) 6.5SHD+ CD7 Black TM V1.0
27	Bat FPC con rubber KC3 black	28	MAIN FPC con rubber 9.2*3.5 KC2
29	LCM FPC con rubber KC3 black	30	CAM FF 2M GC2375H B V1.0
31	Earphone Rubber CD7 Black	32	USB Rubber CD7 Black
33	CAM FF 8W GC6153 CSP W6003 XCG V1.0	34	FPC Side key CD7
35	Bat TECNO BL 49FT 4900mAh ATLIN	36	coaxial cable KC2
37	FPC MAIN KC3	38	PCBA SUB H627 1 D V1.0
39	motor FPC 0827 L4.8 H JX Con ads	40	SPK 1115 SPR H 2.5 1.0W HS
41	DOWN frame asm CD7 Black	42	FP Imp steel CD7

Know your phone



1. Front camera
2. Volume key
3. Power key

SIM/SD card installation

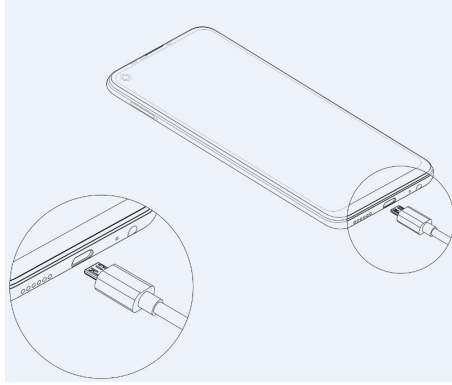
1. Power off mobile.
2. Refer to the following picture for SIM / SD card installation.



Charging the phone

You can charge your device using a charger or by connecting it to the computer using a USB cable (comes with the phone).

1. Please remind the front and back of the plug.
2. Use only TECNO charger and cables. Other chargers or cables may damage the device. This will invalidate your phone warranty.



Emergency call

If any emergency arises, dial 112/911 (or other emergency call number) for emergency help.

Due to the nature of cellular networking, the success of emergency call is not guaranteed.

FCC Warning:

This device complies with part 15 of the FCC Rules. Operation is subject to the following two conditions: (1) This device may not cause harmful interference, and (2) this device must accept any interference received, including interference that may cause undesired operation.

Any Changes or modifications not expressly approved by the party responsible for compliance could void the user's authority to operate the equipment.

This equipment has been tested and found to comply with the limits for a Class B digital device, pursuant to part 15 of the FCC Rules. These limits are designed to provide reasonable protection against harmful interference in a residential installation. This equipment generates uses and can radiate radio frequency energy and, if not installed and used in accordance with the instructions, may cause harmful interference to radio communications. However, there is no guarantee that interference will not occur in a particular installation. If this equipment does cause harmful interference to radio or television reception, which can be determined by turning the equipment off and on, the user is encouraged to try to correct the interference by one or more of the following measures:

- Reorient or relocate the receiving antenna.
- Increase the separation between the equipment and receiver.
- Connect the equipment into an outlet on a circuit different from that to which the receiver is connected.
- Consult the dealer or an experienced radio/TV technician for help.

The SAR limit of USA (FCC) is 1.6 W/kg averaged over one gram of tissue. Device types CD7 (FCC ID: 2ADYY-CD7) has also been tested against this SAR limit. The highest reported SAR values for head, body-worn accessory, and product specific (Hotspot) are 1.17 W/kg, 0.51 W/kg, and 0.77 W/kg respectively. The Max simultaneous SAR is 1.50W/kg. This device was tested for typical body-worn operations with the back of the handset kept 10mm from the body. To maintain compliance with FCC RF exposure requirements, use accessories that maintain a 10mm separation distance between the user's body and the back of the handset. The use of belt clips, holsters and similar accessories should not contain metallic components in its assembly. The use of accessories that do not satisfy these requirements may not comply with FCC RF exposure requirements, and should be avoided.