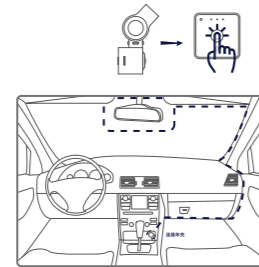


感谢您选购 ROCK 天眼智能行车记录仪,使用前请仔细阅读本说明,以便了解产品的正确操作。

### 安装使用

- 主机插入内存卡
- 支架接入电源
- 用手按下支架解锁按钮并插入主机
- 建议安装到后视镜右侧后方,或后视镜后正方。将支架上的3M胶保护膜撕掉,贴在前挡风玻璃后;旋转支架调整角度,主机镜头与行车方向持平

- 使用电源线连接AutoBot智能车充和记录仪主机电源插孔,推荐按照图示方式走线。如需关闭记录仪,请点击开关关机即可。



- 配合AutoBot智能车充获取定时抓拍,泊车记录位置等功能。

注意: 切勿安装在安全气囊弹出或安全气囊的工作范围内,本公司对因车辆碰撞或安全气囊弹出的问题造成的人员伤亡不承担任何责任。

### 软件下载

在应用商店(或 App Store)搜索“AutoBot”进行下载。



### 智能连接

- 信号灯亮起,保持开机状态;
- 点击手机设置打开无线网络/WLAN;
- 选取名称为“AutoBot\_eyexxxx”的网络连接,输入配对密码(初始密码:12345678);
- 连接成功后打开AutoBot APP,点击上方菜单键,选取“行车记录仪”;
- 显示“连接成功”后,即可正常使用。

\*首次使用AutoBot产品请扫码下载AutoBot APP

### 常见问题

- 问: 需要选择什么规格的内存卡(TF)卡? 最大支持多少容量?  
答: 符合Class 10 规格的 Micro SD (TF) 即可使用,设备支持的最大存储容量为32GB。该容量可存储大约7小时1080P高清视频(空间会受拍摄视频或照片的清晰度而改变),卡满后自动循环录像。
- 问: 存储满了怎么办? 如何清理存储卡上的视频?  
答: 您无需过多关注存储卡容量的问题,除紧急视频外的任何视频都会在设定限值达到后循环存储,如需清除全部视频或删某一段视频记录,可通过 AutoBot App 手机客户端完成。
- 问: 查看实时视频或回放录像,提示播放失败。  
答: 请确保您的手机与设备的无线网络连接正常,视频查看需要较高的带宽,请在设备附近进行操作。
- 问: 是否会导致汽车电瓶耗电。  
答: 您无需担心,大多数车辆的点烟器会在车辆关闭后停止供电;在没有电的情况下,AutoBot eye 行车记录仪是不会工作的;不会耗尽汽车的电瓶电量。

### 产品特性

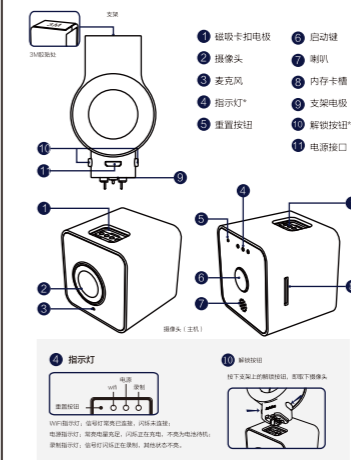
- 行车记录: 循环录制行车影像,不丢帧不卡顿,支持手机无线控制
- 紧急视频: 紧急制动或碰撞自动保存影像,并存储下来不会被覆盖
- 停车守卫: 关机熄火状态下,撞击或震动,可能触发录像启动
- 低照度增强: 白天夜视一样清楚
- 抓拍: 通过手机无线控制抓拍精彩照片
- 超大广角: 超大广角,让记录范围更加宽广
- 智能防抖: 智能防抖开车过程的抖动,自动校正,防止模糊
- 磁吸接口: 取放更加便捷,科技感

### 规格参数

主机尺寸	LxWxH=36x36x40 (mm)
主机外壳材质	高强度太空氧化铝铝合金
颜色	深空灰,玫瑰金,香槟金
图像芯片	SONY IMX322 Exmor CMOS图像传感器
视频编码格式	MOV
图片格式	JPEG
语音输入	高灵敏度Mic
语音输出	1W大功率喇叭
输入电源	5V@1A
TF卡	16G高速TF卡(选配)
电源线	3.5m高质量电源线

设备要求: Android 4.3以上或 iOS7及其以上版本手机、支持蓝牙4.0

### 认识部件

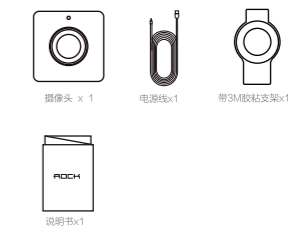


### 产品介绍

感谢您使用智能行车记录仪—AutoBot eye。产品拥有超大广角、高清防抖摄像头、碰撞智能锁定系统等功能让您在驾驶的过程中更加安全;防碰撞,明确责任事故,记录轨迹路线,留取沿途美景让安全与趣味驾驶与您一路同行。

#### 装箱清单

打开产品包装后,请确认 AutoBot eye 智能行车记录仪是否完好,并对照下列图示检查配件是否齐全。



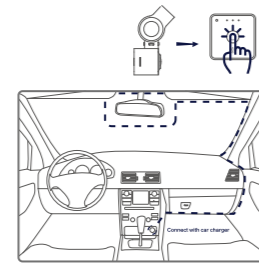
Shenzhen Renqing Technology Co., Ltd.  
深圳仁清科技有限公司  
2015 Shenzhen Renqing Technology.  
Designed by ROCK in Shenzhen.  
All Rights Reserved.  
Address: 3/F, Block A7, Nanshan iPark,  
No.1001 Keyuan Road, Nanshan District,  
Shenzhen, China  
深圳市南山区学苑大道1001号南山智园A7栋3楼  
Hotline: 400-618-2227  
ROCK Website: www.rockphone.cn  
服务热线: 400-618-2227  
ROCK官网: www.rockphone.cn

Thanks for purchasing ROCK Autobot eye Smart Dashcam with wire control Please read the instructions carefully before using it, in order to know the proper operations of the product.

### Instructions

- Insert TF card into host module
- Connecting stand to power
- Press unlock button and insert into host module
- It is recommended installing on rear right side or back side of rearview mirror, Peel off the film and stick the stand on front windshield; adjust the angle, make the camera and driving direction with flat angle.

- Connect AutoBot car charger and dashcam by power cord, it is better to use it as shown path, Press Power On/Off button to shutdown.



- Work together with AutoBot car charger for car position capturing.

Note: Do not install it in the working range of SRS. The company does not accept responsibility for any injury or death by vehicle collisions or SRS problem.

### APP download

Search AutoBot in Google Play or Apple Store to download and install app.



### Connection

- Power on
- On smartphone: Settings > Wi-Fi/WLAN
- Find “AutoBot\_eyexxxx” and connect it, enter password (initial password: 12345678)
- When connected, click the top left key in app and choose “dash camera”
- When connected, it works.

\*Please download and install AutoBot app when first use AutoBot product.

### FAQs

1. Which kind of TF card is compatible? What is the maximum capacity? It is compatible with Micro SD (TF) card that meets Class 10 standard and supports up to 32GB TF card.
2. What can I do if the capacity used up? How to delete videos? Once the memory card is full, except for emergency (vehicle collision, emergency brake, etc) videos, it loops and replaces the oldest file on the card. You can delete video on AutoBot app.
3. Why does it fail to view real-time video or playback video? Please make sure the Wi-Fi connection is normal.
4. Does it will cause car battery fees? Most of vehicles cut off power supply after park, The AutoBot eye dash camera stops when your car stops.

### Functions

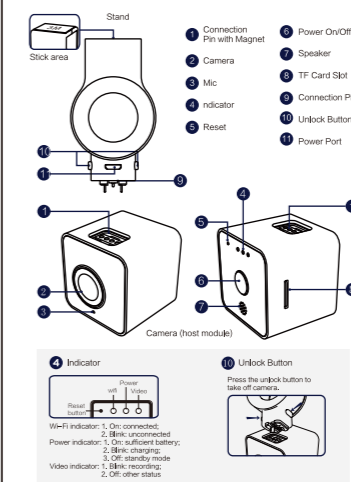
- GPS Tracking
- Emergency Record
- Parking Guard
- Night Vision
- Capturing
- 150 Degree Wide Angle
- Image Stabilization
- Magnetic connector

### Specification

Dimension:	(L*W*H)36*36*40 (mm)
Material:	aluminum alloy
Color:	Gold, Rose gold, Tarnish
Image chip:	SONY IMX322 Exmor CMOS image sensor
Video format:	MOV
Image format:	JPEG
Voice input:	high performance Mic
Voice output:	1W speaker
Input power:	5V 1A
TF card:	16G(Optional)
Power cord:	3.5m

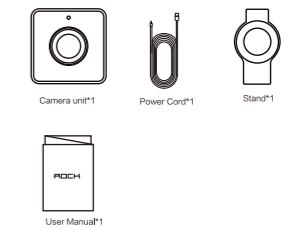
\*It is compatible with Android 4.3 and later, iOS 7.0 and later and Bluetooth 4.0.

### Parts Overview



### Packing Materials

Carefully unpack the packing and confirm that the following parts are included and undamaged.



# ROCK

## Usage Manual

### 使用说明书

Autobot eye Smart Dashcam  
天眼智能行车记录仪

FCC statements:

This device complies with part 15 of the FCC rules. Operation is subject to the following two conditions: (1) this device may not cause harmful interference, and (2) this device must accept any interference received, including interference that may cause undesired operation.

NOTE: The manufacturer is not responsible for any radio or TV interference caused by unauthorized modifications or changes to this equipment. Such modifications or changes could void the user's authority to operate the equipment.

NOTE: This equipment has been tested and found to comply with the limits for a Class B digital device, pursuant to part 15 of the FCC Rules. These limits are designed to provide reasonable protection against harmful interference in a residential installation. This equipment generates uses and can radiate radio frequency energy and, if not installed and used in accordance with the instructions, may cause harmful interference to radio communications. However, there is no guarantee that interference will not occur in a particular installation. If this equipment does cause harmful interference to radio or television reception, which can be determined by turning the equipment off and on, the user is encouraged to try to correct the interference by one or more of the following measures:

- Reorient or relocate the receiving antenna.
- Increase the separation between the equipment and receiver.
- Connect the equipment into an outlet on a circuit different from that to which the receiver is connected.
- Consult the dealer or an experienced radio/TV technician for help.

This equipment complies with FCC RF radiation exposure limits set forth for an uncontrolled environment. This transmitter must not be co-located or operating in conjunction with any other antenna or transmitter.