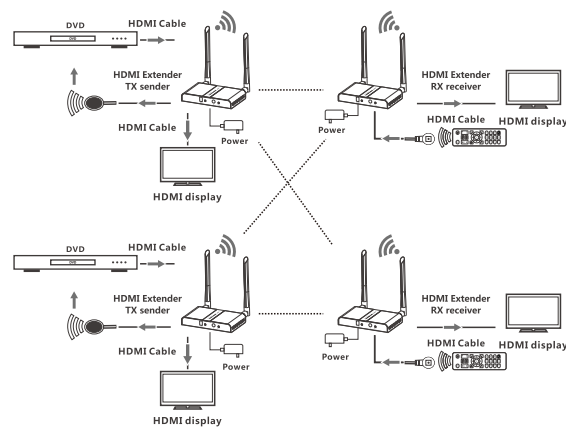


### 3. Matrix connections



#### Connection instruction:

- 1) Connect HDMI input with HDMI source device and connect IR blaster extension cable with IR OUT interface of the sender (TX).
- 2) Connect HDMI output with HDMI display device and connect IR receiver extension cable with IR IN interface.
- 3) Power on the device (power led lights) and it works.

#### Note:

- 1) When the wireless signal transmits through wall, glass or other obstacles, it will cause signal loss. Please install this device in good environment with few obstacles.
- 2) This wireless matrix can support up to 2 transmitter work with 2

receivers simultaneously, please make sure each device keep 5 meters away from others at least.

- 3) The environment wireless signal will affect transmission, such as microwave, wireless mouse and keyboard etc.

#### • FAQ

- Q: Transmitter and receiver can't be connected with each other?
- A: 1) Please check and make sure both receiver and transmitter have been powered on.
- 2) Please check and make sure the input channel of the transmitter and the output channel of the receiver are the same.
- Q: The wifi LED indicator of the transmitter keeps on, but no signal output on display/monitor?
- A: 1) please check if there is an HDMI signal input of sender TX.
- 2) Try to connect the signal source directly to display device to see if there is signal output from source device or change the signal source, HDMI cables and try again.
- Q: Display not fluent and stable?
- A: 1) Please move the position of sender (TX) and receiver (RX) and make sure the device is within the signal coverage.
- 2) Press "reset" button on the TX/RX panel, reset and reconnect.
- 3) Remove other wireless signal disturbance and reduce the obstacle on the way.

#### • SPECIFICATION

Items	Specification	
Power supply	Voltage/Current	DC5V/2A
	Power consumption	TX < 7W RX < 5W
HDMI performance and interface	HDMI compliance	HDMI1.3
	HDCP compliance	HDCP1.2
	HDMI resolution supported	480i@60Hz, 480p@60Hz, 576i@50Hz, 576p@50Hz, 720p@50/60Hz, 1080i@50/60Hz, 1080p@50/60Hz
	Maximum transfer rate	10.2Gbps
	Input and output TMDs signal	0.5 ~ 1.5Vp-p(TMDs)
IR performance and interface	IR remote control	Support IR passback with 20-60KHz frequency
	Input and output DDC signal	5Vp-p(TTL)
Wireless performance and interface	Transmission method	5G Wireless transmission
	Transmission distance	100 Meters
	Latency	≤200 ms
Protection level	Electrostatic protection of the whole machine	1a Contact discharge level 3
		1b Air discharge level 3
		Standard: IEC61000-4-2
Operating environment	Working temperature	0 ~ 50°C
	Storage temperature	-10 ~ 70°C
	Humidity (no condensation)	0 ~ 90%
Body properties	Dimension	121.4(W) x 132.0(D) x 21.5(H)mm
	Material	Iron alloy material + crystal panel
	Processing technology	Sandblasting
	Weight	TX : 310g , RX : 310g

#### FCC Warning:

This equipment has been tested and found to comply with the limits for a Class B digital device, pursuant to part 15 of the FCC Rules. These limits are designed to provide reasonable protection against harmful interference in a residential installation. This equipment generates, uses and can radiate radio frequency energy and, if not installed and used in accordance with the instructions, may cause harmful interference to radio communications. However, there is no guarantee that interference will not occur in a particular installation. If this equipment does cause harmful interference to radio or television reception, which can be determined by turning the equipment off and on, the user is encouraged to try to correct the interference by one or more of the following measures:

- o Reorient or relocate the receiving antenna.
- o Increase the separation between the equipment and receiver.
- o Connect the equipment into an outlet on a circuit different from that to which the receiver is connected.
- o Consult the dealer or an experienced radio/TV technician for help.

Caution: Any changes or modifications to this device not explicitly approved by manufacturer could void your authority to operate this equipment.

This equipment complies with FCC RF radiation exposure limits set forth for an uncontrolled environment. This device and its antenna must not be located or operating in conjunction with any other antenna or transmitter.

To comply with FCC RF exposure compliance requirements, this grant is applicable to only mobile configurations. The antennas used for this transmitter must be installed to provide a separation distance of at least 20 cm from all persons and must not be co-located or operating in conjunction with any other antenna or transmitter.

#### Note:

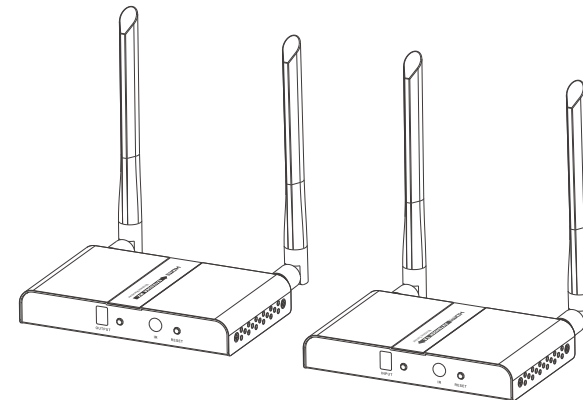
Please use the original antenna in the package, if the antenna is not contained in the package or the antenna is damaged, consult the seller for help, do not use other antenna.

#### Disclaimer

The product name and brand name may be registered trademark of related manufacturers. TM and ® may be omitted on the user manual. The pictures on the user manual are just for reference, and there may be some slight difference with the real products. We reserve the rights to make changes without further notice to a product or system described herein to improve reliability, function or design.

## HDMI Wireless Extender

### User manual



**• IMPORTANT SAFETY NOTICE**

- Please read below safety instructions carefully before installation and operation:
1. Please pay attention to all the warnings and hints on this device.
  2. Do not expose this unit to rain, moisture and liquid.
  3. Do not put any stuff into the device.
  4. Do not repair the device or open the enclosure without professional person guidance to avoid electronic shock.
  5. Make sure good ventilation openings to avoid product overheating damage.
  6. Shut off power and make sure environment is safe before installation.
  7. Use DC5V/2A only. Make sure the specification matched if using 3<sup>rd</sup> party DC adapters.

**• INTRODUCTION**

This HDMI wireless extender includes transmitter unit and receiver unit, allows to transmit and extend HDMI signal up to 100 meters long away wirelessly, it has strong anti-interference ability by running at 5GHz operation frequency. This wireless extender not only supports point to point configuration, but also supports one to many (1 to 2) and many to many (2 to 2, 2 to 1) configuration. This extender supports wide range IR pass-back frequency 20-60KHz to realize remote control of source devices from receiver side. With both button control and IR controller, makes channel setting easily. It is really a very good solution for transmitting one or more HDMI source signal to one or more screens in long distance without running wires simultaneously, perfect for application of conference, home entertainment and education etc.

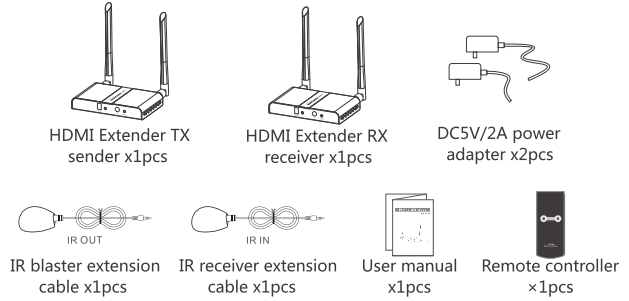
Note:

- 1) Transmission distance will be different due to the environment.
- 2) Wall, brick or glass will shorten the signal cover range or cause big signal loss.
- 3) It is recommended that the distance between each unit should be more than 5 meters.

**• FEATURES**

1. Metal housing, stable and durable.
2. Transmitter support one HDMI loop-out.
3. Support resolution up to 1080p@60Hz.
4. 100m long range transmission sight distance.
5. Support IR passback with 20-60KHz frequency.
6. Strong anti-interference ability by running at 5GHz operation frequency.
7. Support point to point configuration, one to many (1 to 2) configuration and many to many (2 to 2, 2 to 1) configuration.
8. Supports button control to set channels and IR controller to switch and choose input sources from receiver side.

**• PACKAGE CONTENTS**

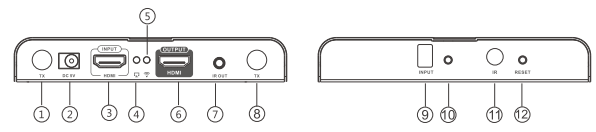


**• INSTALLATION REQUIREMENT**

1. HDMI source device (DVD, PS3, Set top box, PC etc)
2. HDMI display device like SDTV, HDTV, and projector with HDMI port.

**• PANEL DESCRIPTION**

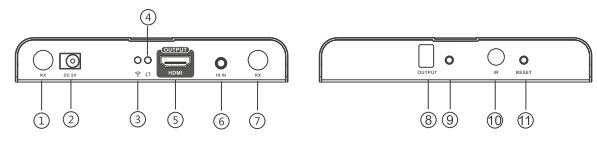
1. HDMI Extender TX sender



① Antenna	Connect with antenna
② Power input	Connect with DC5V/2A power adapter
③ HDMI input	Connect with HDMI source device
④ HDMI signal indicator	HDMI signal input, it always on
⑤ Wireless connections indicator	It's on when the transmitter and the receiver connect well with each other, other wise, it's off
⑥ HDMI output	Connect with HDMI display device
⑦ IR blaster extension cable interface	Connect with IR blaster extension cable. Please put the IR blaster close to source device to better transmit the IR signal from receiver
⑧ Antenna	Connect with antenna
⑨ Input CHANNEL indicator	Indicate the input CHANNEL as a number, and when the CHANNEL of transmitter as same as the CHANNEL of receiver, wireless transmission connected
⑩ Digital control button	Adjust channel

⑪ IR remote control window	Receive IR remote control signal
⑫ Reset button	Press for restarting the unit

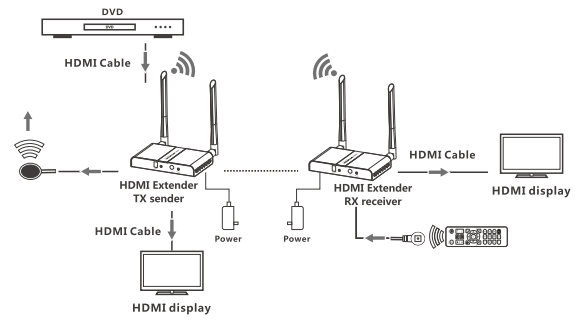
2.HDMI Extender RX receiver



① Antenna	Connect with antenna
② Power input	Connect with DC5V/2A power adapter
③ Wireless connections indicator	It's on when the transmitter and the receiver connect well with each other, other wise, it's off
④ Data transmission indicator	Led blinks slowly when it is building connection. Led blinks fast when it is successfully connected and transmitting data
⑤ HDMI output	Connect with HDMI display device
⑥ IR receiver extension cable interface	Connect with IR receiver extension cable. Please make sure the remote control is within the required range of IR receiver
⑦ Antenna	Connect with antenna
⑧ Output CHANNEL indicator	Indicate the output CHANNEL as a number, and when the CHANNEL of transmitter as same as the CHANNEL of receiver, wireless transmission connected
⑨ Digital control button	Adjust channel
⑩ IR remote control window	Receive IR remote control signal
⑪ Reset button	Press for restarting the unit

**• CONNECTION**

1. Point to point connection:



2. One to many connection:

