



Acknowledgment Letter

SPECIFICATION FOR APPROVAL

CUSTOMER NAME: Langqiang

product name

PRODUCT NAME: WIFI dual antenna ANT1 second-generation terminal

line length 40MM

Customer part number

CUSTOMER P/N:

	MANUFACTURER SIGNATURE	CUSTOMER SIGNATURE
CHECKED BY:	Yan Peihao	
APPROVED BY:	Feng Juan	
DATE:	2023.2.3	

Address: Room 401-407, Building A, Jinfulai Building, Dabao Road, District 28, Bao'an District,

Shenzhen

Phone: 0755-27728733

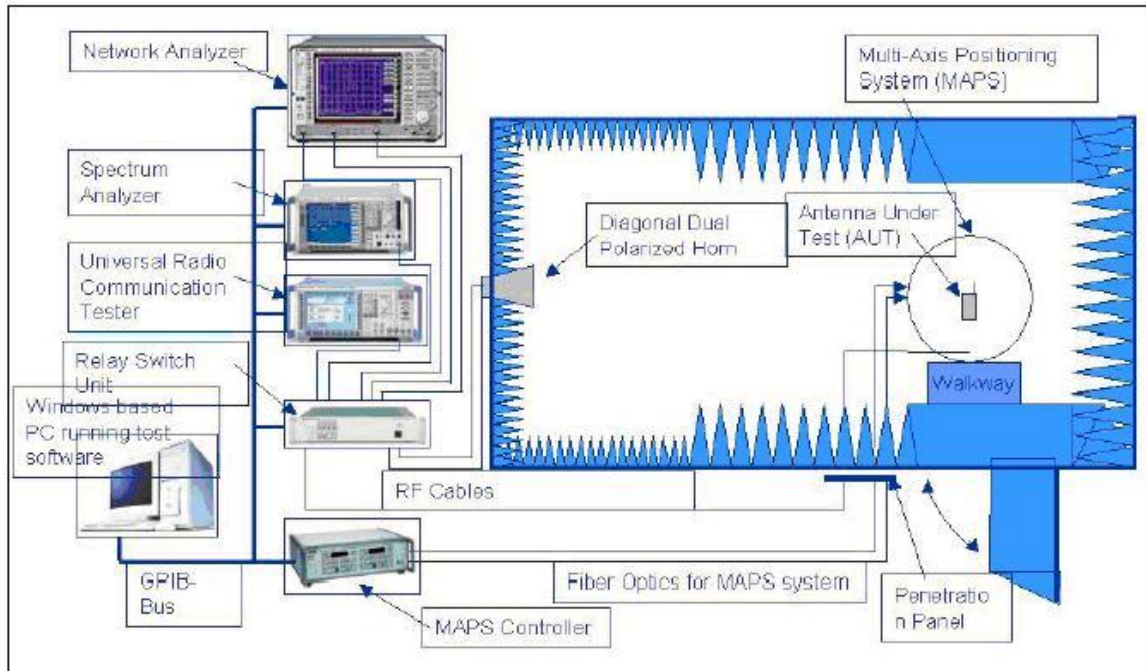
Fax:0755-27805416



Contents

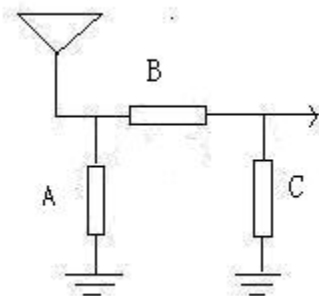
<i>Item</i>	<i>Description</i>
1.	Testing instruments and environment
2.	matching circuit
3.	Machine and antenna pictures
4.	S11 circle diagram
5.	Antenna Passive Performance - 3D Total Gain Pattern
6.	Antenna Passive Performance - 2D Total Gain Pattern
7.	Efficiencygain
8.	Line sample diagram

1 . Test instrument and environment: CTIA 743 darkroom, 8960/5515C, with the phone placed backwards at a turntable 4 meters away from the standard horn antenna



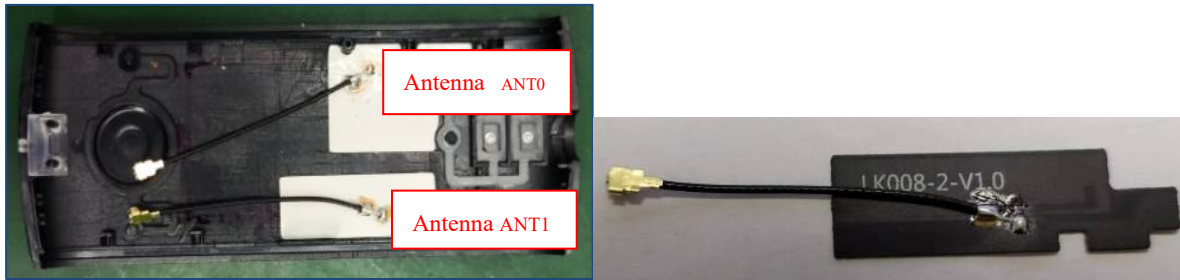
2、 matching circuit

No matching circuit added.

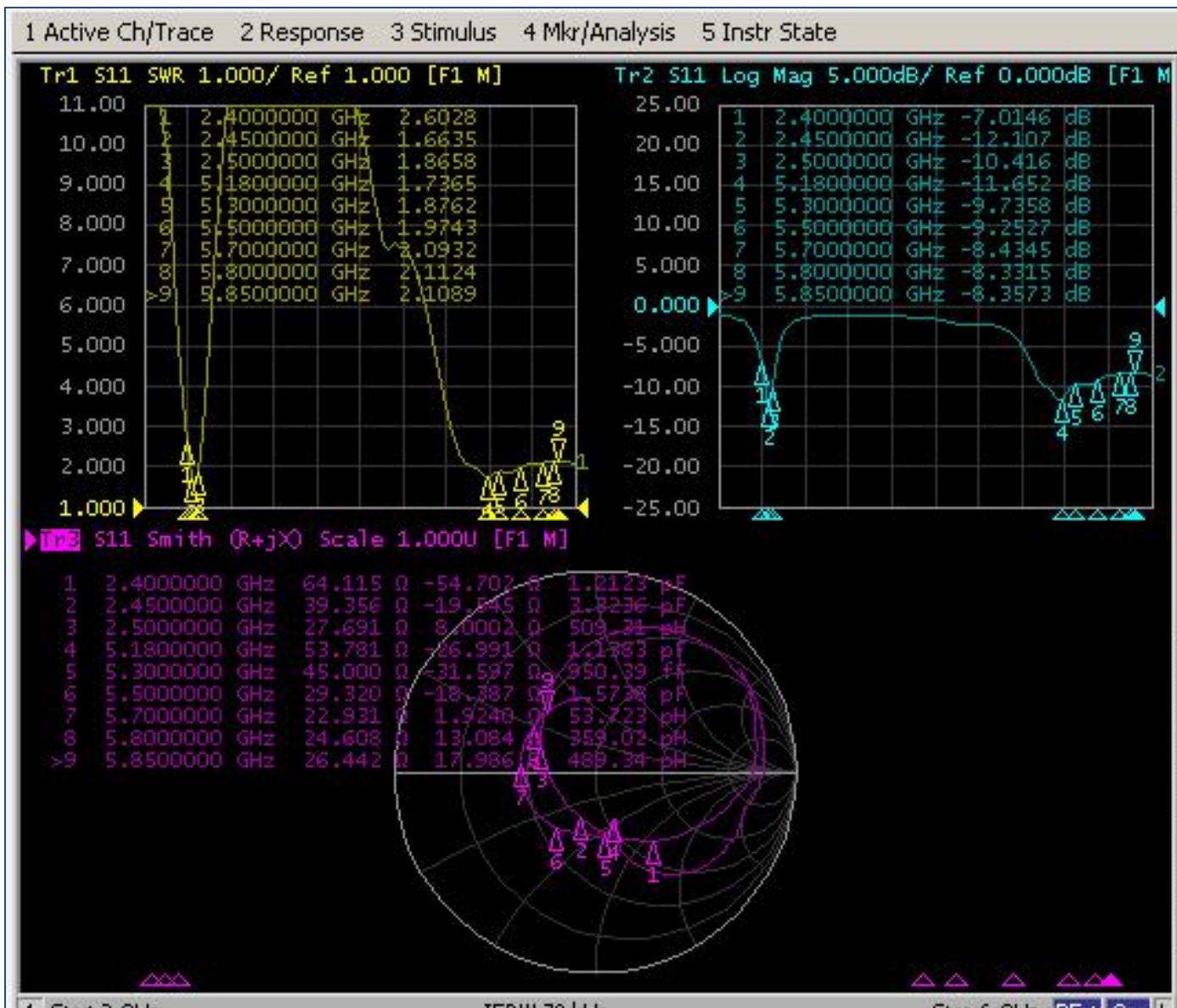


matching circuit	A	B	C
numerical value	NF	0ohm	NF

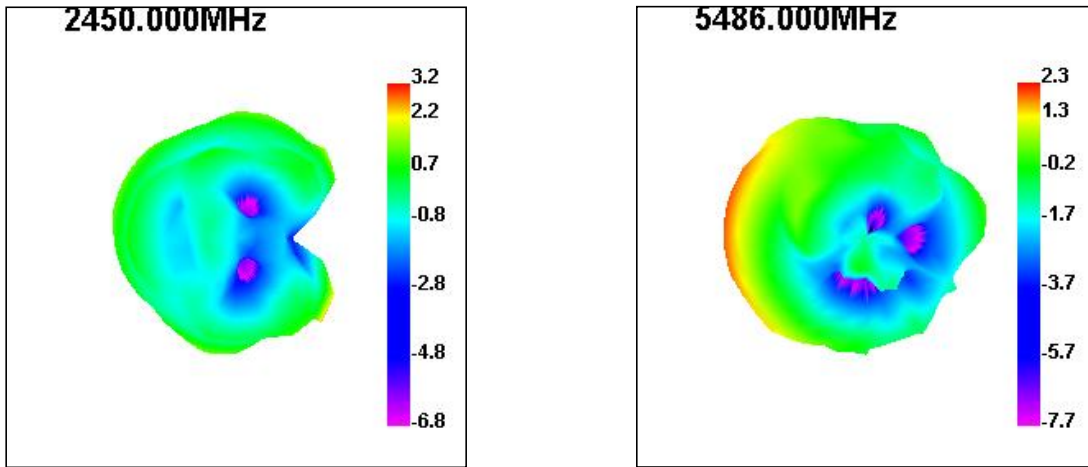
3. Machine antenna image:



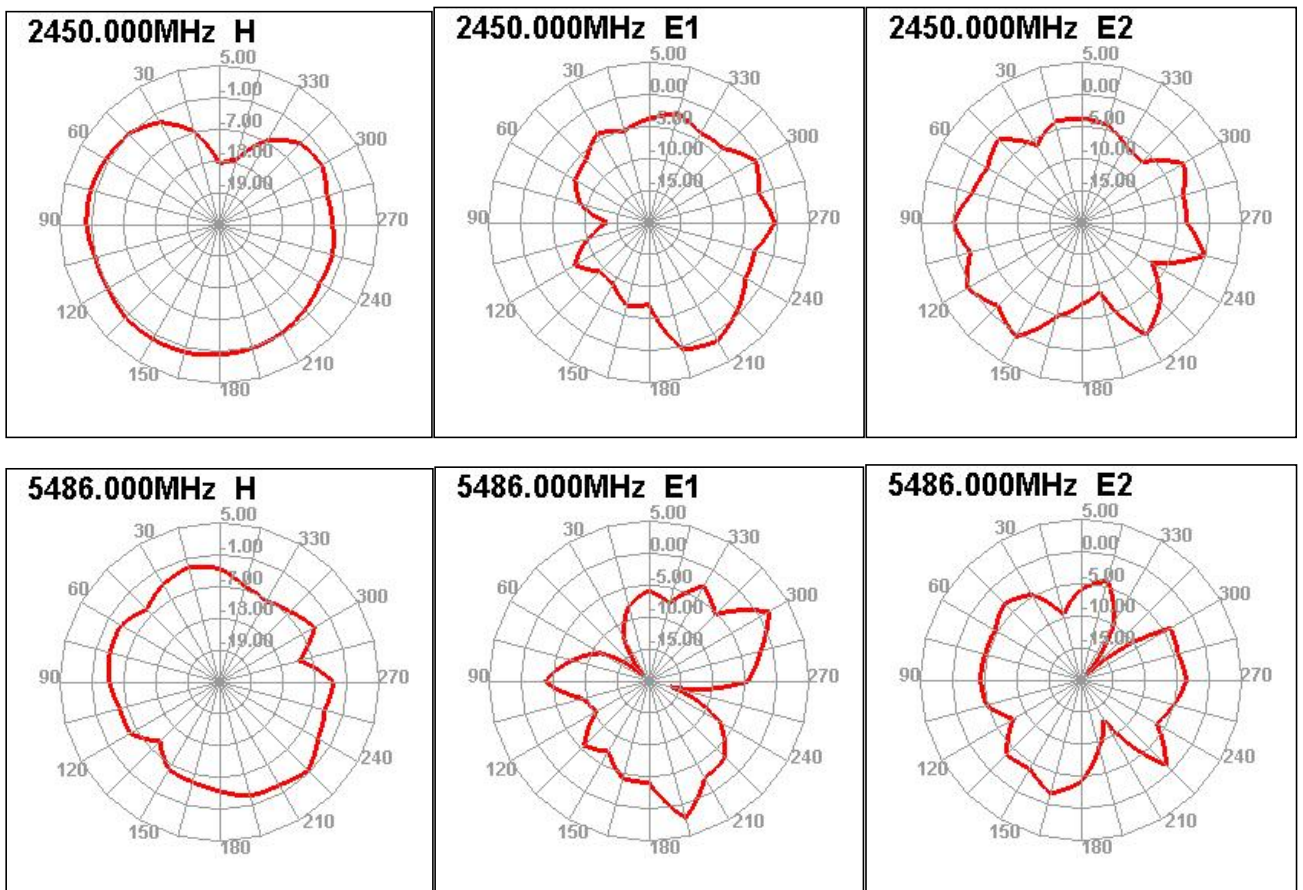
4. Antenna ANT1 S11, ReturnLoss, Smith circular diagram:



5. Antenna Passive Performance - 3D Total Gain Pattern



6. Antenna Passive Performance - 2D Total Gain Pattern





7. Antenna ANT1 efficiency gain:

Freq (MHz)	Effi (%)	Gain (dBi)
2400	45.48	2.63
2405	45.21	2.65
2410	45.59	2.54
2415	46.21	2.39
2420	46.2	2.29
2425	45.35	2.22
2430	44.4	1.95
2435	43.19	1.64
2440	42.67	1.57
2445	41.99	1.4
2450	39.61	1.02
2455	40.79	1.21
2460	41.77	1.33
2465	41.77	1.36
2470	40.82	1.42
2475	40.82	1.54
2480	40.39	1.58
2485	39.89	1.53
2490	41.35	1.67
2495	41.15	1.75
2500	40	1.72

Freq (MHz)	Effi (%)	Gain (dBi)
5150	52.58	2.65
5178	46.47	2.34
5206	53.24	2.86
5234	53.18	2.84
5262	48.58	2.31
5290	51.74	2.52
5318	48.62	1.92
5346	48.69	1.59
5374	52.67	1.63
5402	54.18	1.37
5430	48.86	0.82
5458	52.61	1.04
5486	45.77	0.86
5514	46.33	1.2
5542	44.85	1.43
5570	45.64	1.54
5598	49.45	1.84
5626	55.81	2.15
5654	53.48	2.2
5682	58.08	2.38
5710	57.05	2.51
5738	55.13	2.93
5766	54.3	3.44
5794	52.29	3.26
5822	52.89	3.52
5850	49.07	3.32

8.Line plot

