

FCC CFR47 PART 22H, 24E, 27, 90 CERTIFICATION TEST REPORT

FCC ID: 2ADX3MH50

Product: 4G Mobile Hotspot
Trade Mark: Horizon
Model Number: MH50
Family Model: N/A
Report No.: S20101400903003

Prepared for

Telecell Mobile (H.K) Ltd.

RM 801 Metro Ctr II, 21 Lam Hing Street Kln Bay Hong Kong

Prepared by

Shenzhen NTEK Testing Technology Co., Ltd.
1/F, Building E, Fenda Science Park, Sanwei Community, Xixiang Street
Bao'an District, Shenzhen 518126 P.R. China
Tel.: 400-800-6106, 0755-3699 5508
Website: <http://www.ntek.org.cn>

TEST RESULT CERTIFICATION

Applicant's name : Telecell Mobile (H.K) Ltd.
Address : RM 801 Metro Ctr II, 21 Lam Hing Street Kln Bay Hong Kong
Manufacturer's Name : Telecell Mobile (H.K) Ltd.
Address : RM 801 Metro Ctr II, 21 Lam Hing Street Kln Bay Hong Kong
Product name : 4G Mobile Hotspot
Model and/or type reference : MH50
Family Model: N/A
Standards : FCC CFR 47 Part 22H, Part 24E, Part 27, Part 90
Test procedure : ANSI C63.26:2015
ANSI/TIA-603-E-2016

This device described above has been tested by NTEK, and the test results show that the equipment under test (EUT) is in compliance with the FCC requirements. And it is applicable only to the tested sample identified in the report.

This report shall not be reproduced except in full, without the written approval of NTEK, this document may be altered or revised by NTEK, personal only, and shall be noted in the revision of the document.

Date of Test
Date (s) of performance of tests : 14 Oct. 2020 ~ 04 Nov, 2020
Date of Issue : 04 Nov, 2020
Test Result : Pass

Testing Engineer : (Signature)
(Mary Hu)
Technical Manager : (Signature)
(Jason Chen)
Authorized Signatory : (Signature)
(Alex Li)

TABLE OF CONTENTS

1.1 PRODUCT DESCRIPTION	6
1.2 RELATED SUBMITTAL(S) / GRANT (S).....	7
1.3 TEST METHODOLOGY	7
1.4 TEST FACILITY.....	8
MEASUREMENT UNCERTAINTY	8
1.5 SPECIAL ACCESSORIES.....	8
1.6 WORST-CASE CONFIGURATION AND MODE.....	8
1.6 SUMMARY OF TEST RESULTS	9
2. SYSTEM TEST CONFIGURATION	11
2.1 EUT CONFIGURATION.....	11
2.2 EUT EXERCISE	11
2.3 CONFIGURATION OF EUT SYSTEM.....	11
2.4 TEST SETUP	12
3.TEST AND MEASUREMENT EQUIPMENT	13
4. OUTPUT POWER.....	15
4.1 OUTPUT POWER MEASUREMENT	15
6. BANDEDGE AND EMISSION MASK.....	18
7. OUT OF BAND EMISSIONS.....	19
7.1 MEASUREMENT METHOD	20
8. RADIATED MEASUREMENT.....	21
8.1 RADIATED POWER (ERP & EIRP)	21
8.2 LTE BAND 2	22
8.3 LTE BAND 4	26
8.4 LTE BAND 5	30
8.5 LTE BAND 12	32
8.5 LTE BAND 13.....	34

8.6 LTE BAND 17 36

8.7 LTE BAND 25 38

8.7 LTE BAND 26 42

8.7 LTE BAND 41 46

8.7 LTE BAND 66 48

9. SPURIOUS RADIATION EMISSION52

9.1 LTE BAND 2 54

9.2 LTE BAND 4 56

9.3 LTE BAND 5 58

9.5 LTE BAND 12 60

9.6 LTE BAND 13 62

9.7 LTE BAND 17 63

9.8 LTE BAND 25 65

9.9 LTE BAND 26 67

9.10 LTE BAND 41 71

9.11 LTE BAND 66 73

10. FREQUENCY STABILITY75

10.1 LTE BAND 2 76

10.2 LTE BAND 4 78

10.3 LTE BAND 5 80

10.4 LTE BAND 12 82

10.5 LTE BAND 13 84

10.6 LTE BAND 17 错误！未定义书签。

10.7 LTE BAND 25 88

10.8 LTE BAND 26 90

10.9 LTE BAND 41 94

10.10 LTE BAND 66 96

11. PEAK-TO-AVERAGE RATIO98

11.1 Description of the PAR Measurement 98

11.2 Measuring Instruments 98

11.3 Test Procedures 98

11.4 Test Setup 98

1. GENERAL INFORMATION

1.1 PRODUCT DESCRIPTION

A major technical description of EUT is described as following:

Product Designation:	4G Mobile Hotspot
Trade Mark	N/A
Model Name	MH50
Family Model	N/A
Model Difference	N/A
FCC ID:	2ADX3MH50
Frequency Bands:	U.S. Bands: <input checked="" type="checkbox"/> LTE FDD Band 2, 4, 5, 12,13, 17, 25, 26, 66 <input checked="" type="checkbox"/> LTE TDD Band 41
Frequency Range:	LTE FDD Band 2 Uplink: 1850MHz-1910MHz, Downlink: 1930MHz-1990MHz; LTE FDD Band 4 Uplink: 1710MHz-1755MHz, Downlink: 2110MHz-2155MHz; LTE FDD Band 5 Uplink: 824MHz-849MHz, Downlink: 869MHz-894MHz; LTE FDD Band 12 Uplink: 699MHz-716MHz, Downlink: 729MHz-746MHz; LTE FDD Band 13 Uplink: 777MHz-787MHz, Downlink: 746MHz-756MHz; LTE FDD Band 17 Uplink: 704MHz-716MHz, Downlink: 734MHz-746MHz; LTE FDD Band 25 Uplink: 1850MHz-1915MHz, Downlink: 1930MHz-1995MHz; LTE FDD Band 26 Uplink: 814MHz-849MHz, Downlink: 859MHz-894MHz(Number Of Channel see note 2); LTE FDD Band 66 Uplink: 1710MHz-1780MHz, Downlink: 2110MHz-2200MHz; LTE TDD Band 41 Uplink/ Downlink: 2496MHz-2690MHz
Type of Modulation:	QPSK/16QAM
SIM Card	The EUT just has one SIM card
Antenna:	PIFA Antenna
Antenna gain:	2.5dBi
Power Supply:	DC 3.7V/2320mAh from battery or DC 5V from Adapter.
Adapter:	N/A
Extreme Vol. Limits:	DC 3.4V to DC 4.2V (Nominal DC 3.7V) (Note 1)
HW Version	V1.02
SW Version	N/A

** Note1: The High Voltage 4.2V and Low Voltage 3.4V was declared by manufacturer, The EUT couldn't be operate normally with higher or lower voltage.

Note 2:

Test Frequency ID	Bandwidth(MHz)	EARFCN	Frequency (UL and DL) (MHz)
Low Range	1.4	26697	814.7
	3	26705	815.5
	5	26715	816.5
	10	26740	819
Mid Range	1.4/3/5/10	26740	819.0
High Range	1.4	26783	823.3
	3	26775	822.5
	5	26765	821.5
	10	26740	819

Test Frequency ID	Bandwidth(MHz)	EARFCN	Frequency (UL and DL) (MHz)
Low Range	1.4	26797	824.7
	3	26805	825.5
	5	26815	826.5
	10	26840	829
	15	26865	831.5
Mid Range	1.4/3/5/10/15	26915	836.5
High Range	1.4	27033	848.3
	3	27025	847.5
	5	27015	846.5
	10	26990	844
	15	26965	841.5

1.2 RELATED SUBMITTAL(S) / GRANT (S)

This submittal(s) (test report) is intended for **FCC ID: 2ADX3MH50** filing to comply with the FCC Part 22H&24E &27.

1.3 TEST METHODOLOGY

The tests documented in this report were performed in accordance with ANSI/TIA-603-E-2016, FCC CFR 47 Part 2, Part 22, Part 24, Part 27, ANSI C63.26:2015.

1.4 TEST FACILITY

The test site used to collect the radiated data is located at:
ShenZhen NTEK Testing Technology Co., Ltd.

1/F, Building E, Fenda Science Park, Sanwei Community, Xixiang Street, Bao'an District, Shenzhen 518126 P.R.China.

The test site is constructed and calibrated to meet the FCC requirements in documents ANSI C63.26:2015& ANSI C63.4: 2014.

FCC Registration No.:463705

IC Registration No.:9270A-1,

CNAS Registration No.:L5516

MEASUREMENT UNCERTAINTY

The reported uncertainty of measurement, where expended uncertainty U is based on a standard uncertainty multiplied by a coverage factor of k=2, providing a level of confidence of approximately 95 %.

No.	Item	Uncertainty
1	Measuring Uncertainty for a Level of Confidence of 95% (U = 2Uc(y))	2.5dB
2	Conducted Emission Test	±1.38dB
3	RF power, conducted	±0.16dB
4	Spurious emissions, conducted	±0.21dB
5	All emissions, radiated(<1G)	±4.68dB
6	All emissions, radiated(>1G)	±4.89dB
7	Temperature	±0.5°C
8	Humidity	±2%

1.5 SPECIAL ACCESSORIES

The battery and the charger, earphone supplied by the applicant were used as accessories and being tested with EUT intended for FCC grant together.

1.6 WORST-CASE CONFIGURATION AND MODE

The worst-case scenario for all measurements is based on the investigation results.

The device has LTE Bands of: Band 2, Band 4, Band 5, Band 7, Band 12, Band 17, Band25, Band 26, Band 66

The RB Size was selected to measure for peak or average ERP and EIRP, which was based on the conducted power verification baseline data.

For the fundamental investigation of radiated emissions, the EUT is investigated for vertical and horizontal antenna orientations and X Y and Z orientations of the EUT alone. After the investigations the worst case was determined to be at X orientation for all LTE bands.

1.6 SUMMARY OF TEST RESULTS

FCC Part22, Subpart H/ FCC Part24, Subpart E, FCC Part27, FCC Part 90, Subpart L, KDB 971168 D01 Power Meas License Digital Systems v03			
FCC Rule	Test Item	Verdict	Remark
2.1046	Conducted Output Power	PASS	
22.913(d) 24.232(d) 27.50(d)(5) KDB 971168 D01 Clause 5.7	Peak-to-Average Ratio	PASS	
2.1049 22.917(b) 24.238(b) KDB 971168 D01 Clause 4.2	Occupied Bandwidth	PASS	
2.1051 22.917(a) 24.238(a) 27.53(c), (g), (h) 90.691 KDB 971168 D01 Clause 6	Band Edge	PASS	
22.913(a)(2) 27.50(b)(10), (c)(10) 90S KDB 971168 D01 Clause 5.6	Effective Radiated Power	PASS	
24.232(c) 27.50(h)(2), (d)(4) KDB 971168 D01 Clause 5.6	Equivalent Isotropic Radiated Power	PASS	
2.1053 22.917(a) 24.238(a) 27.53(c)(g)(h)(m) 90691 KDB 971168 D01 Clause 7	Field Strength of Spurious Radiation	PASS	
2.1055 22.355 24.235 27.54 90.213 KDB 971168 D01 Clause 9	Frequency Stability for Temperature & Voltage	PASS	

2.1051 22.917(a) 24.238(a) 27.53 (g)(h)(m) 90.691 KDB 971168 D01 Clause 6	Conducted Emission	PASS	
--	--------------------	------	--

Remark:

1. "N/A" denotes test is not applicable in this Test Report.
2. All test items were verified and recorded according to the standards and without any deviation during the test.
3. No modifications are made to the EUT during all test items.

2. SYSTEM TEST CONFIGURATION

2.1 EUT CONFIGURATION

The EUT configuration for testing is installed on RF field strength measurement to meet the Commission's requirement and operating in a manner which intends to maximize its emission characteristics in a continuous normal application.

2.2 EUT EXERCISE

The Transmitter was operated in the maximum output power mode through Communication Tester. The TX frequency was fixed which was for the purpose of the measurements.

2.3 CONFIGURATION OF EUT SYSTEM

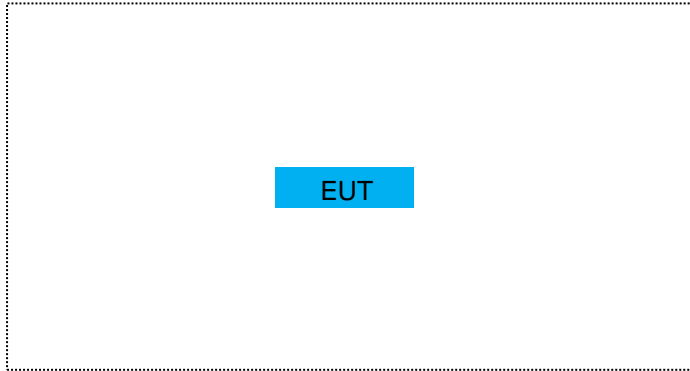
Table 2-1 Equipment Used in EUT System

Item	Equipment	Model No.	ID or Specification	Note
1	4G Mobile Hotspot	MH50	FCC ID: 2ADX3MH50	EUT

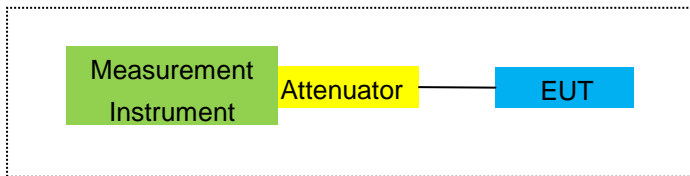
*Note: All the accessories have been used during the test.
the following "EUT" in setup diagram means EUT system.*

2.4 TEST SETUP

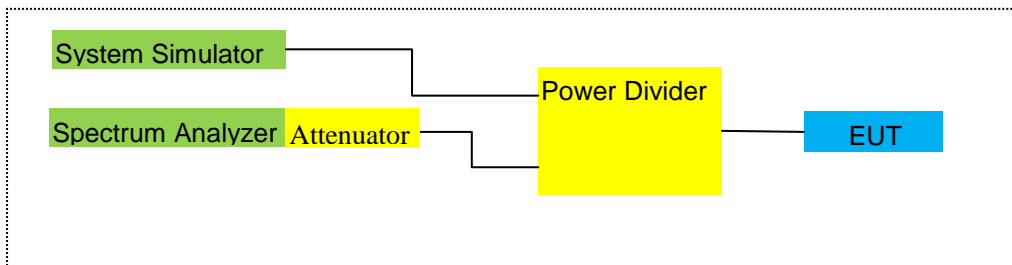
For Radiated Test Cases



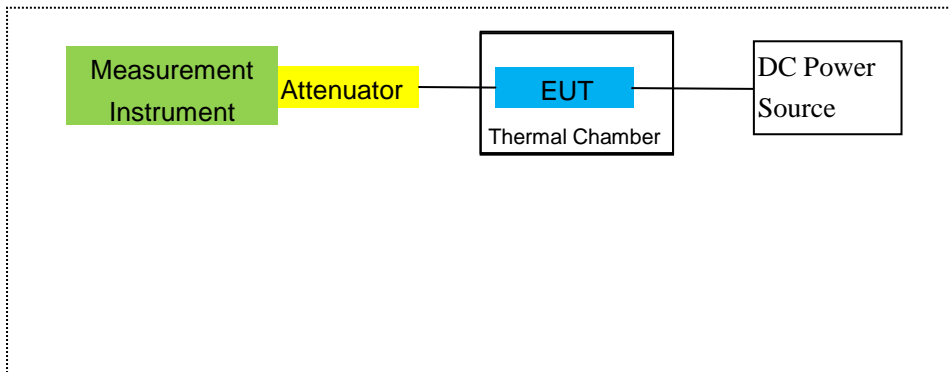
For Conducted Output Power



For Peak-to Average Ratio, Occupied Bandwidth, Conducted Band edge and Conducted Spurious Emission



For Frequency Stability



Note: EUT built-in battery-powered, the battery is fully-charged.

3. TEST AND MEASUREMENT EQUIPMENT

The following test and measurement equipment was utilized for the tests documented in this report:

Item	Kind of Equipment	Manufacturer	Type No.	Serial No.	Last calibration	Calibrated until	Calibration period
1	MXA Signal Analyzer	Agilent	N9020A	MY49100060	2020.07.13	2021.07.12	1 year
2	Test Receiver	R&S	ESPI	101318	2020.05.11	2021.05.10	1 year
3	Bilog Antenna	TESEQ	CBL6111D	31216	2020.04.11	2021.04.10	1 year
4	50Ω Coaxial Switch	Anritsu	MP59B	6200983705	2020.05.11	2023.05.10	3 year
5	Horn Antenna	EM	EM-AH-10180	2011071402	2020.04.11	2021.04.10	1 year
6	Horn Ant	Schwarzbeck	BBHA 9170	9170-181	2019.12.10	2020.12.09	1 year
7	Amplifier	EM	EM-30180	060538	2020.07.13	2021.07.12	1 year
8	Loop Antenna	ARA	PLA-1030/B	1029	2020.05.11	2021.05.10	1 year
9	Power Meter	R&S	NRVS	100696	2020.07.13	2021.07.12	1 year
10	Power Sensor	R&S	URV5-Z4	0395.1619.05	2020.05.11	2021.05.10	1 year
11	Test Cable	N/A	R-01	N/A	2019.08.06	2022.08.05	3 year
12	Test Cable	N/A	R-02	N/A	2019.08.06	2022.08.05	3 year
13	Test Cable	N/A	R-03	N/A	2019.06.28	2022.06.27	3 year
14	Test Receiver	R&S	ESCI	101160	2020.05.11	2021.05.10	1 year
15	LISN	R&S	ENV216	101313	2020.05.11	2021.05.10	1 year
16	LISN	EMCO	3816/2	00042990	2020.05.11	2021.05.10	1 year
17	50Ω Coaxial Switch	Anritsu	MP59B	6200264417	2020.05.11	2021.05.10	1 year
18	Passive Voltage Probe	R&S	ESH2-Z3	100196	2020.04.11	2021.04.10	1 year
19	Test Cable	N/A	C01	N/A	2020.05.11	2023.05.10	3 year
20	Test Cable	N/A	C02	N/A	2020.05.11	2023.05.10	3 year
21	Test Cable	N/A	C03	N/A	2020.05.11	2021.05.10	1 year
22	Attenuator	MCE	24-10-34	BN9258	2020.05.11	2021.05.10	1 year
23	Spectrum Analyzer	agilent	e4440a	us44300399	2020.05.11	2021.05.10	1 year
24	test receiver	R&S	ESCI	a0304218	2020.05.11	2021.05.10	1 year
25	Communication Tester	R&S	CMU200	A0304247	2020.07.13	2021.07.12	1 year
26	Thermal Chamber	Ten Billion	TTC-B3C	TBN-960502	2020.05.11	2021.05.10	1 year

27	DC Power Source	N/A	PS-6005D	2017040292 3	2020.05.11	2021.05.10	3 year
28	PSG Analog Signal Generator	Agilent	E8257D	MY51110112	2020.05.11	2021.05.10	1 year
29	Communication Tester	R&S	CMW500	148500	2020.05.11	2021.05.10	1 year
30	PSG Analog Signal Generator	Agilent	E8257D	MY51110112	2020.07.13	2021.07.12	1 year

Note: Each piece of equipment is scheduled for calibration once a year except the Test Cable& DC Power Source which is scheduled for calibration every 3 years.

4. OUTPUT POWER

4.1 OUTPUT POWER MEASUREMENT

LTE Measurement Procedure:

All LTE bands conducted power peak and average are obtained from the CMW500 telecommunication test set. The following tests were conducted according to the test requirements outlined in section 6.2 of the 3GPP TS36.101 specification.

UE Power Class: 3 (23 +/- 2dBm). The allowed Maximum Power Reduction (MPR) for the maximum output power due to higher order modulation and transmit bandwidth configuration (resource blocks) is specified in Table 6.2.3-1 of the 3GPP TS36.101.

Table 6.2.3-1: Maximum Power Reduction (MPR) for Power Class 3

Modulation	Channel bandwidth / Transmission bandwidth (RB)						MPR (dB)
	1.4 MHz	3.0 MHz	5 MHz	10 MHz	15 MHz	20 MHz	
QPSK	> 5	> 4	> 8	> 12	> 16	> 18	≤ 1
16 QAM	≤ 5	≤ 4	≤ 8	≤ 12	≤ 16	≤ 18	≤ 1
16 QAM	> 5	> 4	> 8	> 12	> 16	> 18	≤ 2

The allowed A-MPR values specified below in Table 6.2.4.-1 of 3GPP TS36.101 are in addition to the allowed MPR requirements. All the measurements below were performed with A-MPR disabled, by using Network Signaling Value of "NS_01".3

Table 6.2.4-1: Additional Maximum Power Reduction (A-MPR)

Network Signalling value	Requirements (sub-clause)	E-UTRA Band	Channel bandwidth (MHz)	Resources Blocks (N_{RB})	A-MPR (dB)
NS_01	6.6.2.1.1	Table 5.5-1	1.4, 3, 5, 10, 15, 20	Table 5.6-1	NA
NS_03	6.6.2.2.1	2, 4, 10, 23, 25, 35, 36	3	>5	≤ 1
			5	>6	≤ 1
			10	>6	≤ 1
			15	>8	≤ 1
			20	>10	≤ 1
NS_04	6.6.2.2.2	41	5	>6	≤ 1
			10, 15, 20	See Table 6.2.4-4	
NS_05	6.6.3.3.1	1	10, 15, 20	≥ 50	≤ 1
NS_06	6.6.2.2.3	12, 13, 14, 17	1.4, 3, 5, 10	Table 5.6-1	n/a
NS_07	6.6.2.2.3	13	10	Table 6.2.4-2	Table 6.2.4-2
	6.6.3.3.2				
NS_08	6.6.3.3.3	19	10, 15	> 44	≤ 3
NS_09	6.6.3.3.4	21	10, 15	> 40	≤ 1
				> 55	≤ 2
NS_10		20	15, 20	Table 6.2.4-3	Table 6.2.4-3
NS_11	6.6.2.2.1	23 ¹	1.4, 3, 5, 10	Table 6.2.4-5	Table 6.2.4-5
..					
NS_32	-	-	-	-	-

Note 1: Applies to the lower block of Band 23, i.e. a carrier placed in the 2000-2010 MHz region.

Test data reference attachment.

5. OCCUPIED BANDWIDTH

RULE PART(S)

FCC: §2.1049

LIMITS

For reporting purposes only

TEST PROCEDURE

The transmitter output was connected to a calibrated coaxial cable and coupler, the other end of which was connected to a spectrum analyzer. The occupied bandwidth was measured with the spectrum analyzer at the low, middle and high channel in each band. The -26dB bandwidth was also measured and recorded.

MODES TESTED

- LTE Band 2
- LTE Band 4
- LTE Band 5
- LTE Band 12
- LTE Band 13
- LTE Band 17
- LTE Band 25
- LTE Band 26
- LTE Band 44
- LTE Band 66

RESULTS

PASS

Test data reference attachment.

6. BANDEDGE AND EMISSION MASK

RULE PART(S)

FCC: §2.1051, §22.917(a), §24.238(a), §27.53 (g)(h)(m), §90.691

FCC: §2.1046, §22.913, §24.232

LIMITS

The minimum permissible attenuation level of any spurious emission is $43 + \log_{10}(P[\text{Watts}])$, where P is the transmitter power in Watts.

The minimum permissible attenuation level for Band 7 is as following.

Per 27.53(g) for operations in the 698-746 MHz band, in the 100 kHz bands immediately outside and adjacent to the frequency block a resolution bandwidth of at least 30 kHz may be employed to demonstrate compliance with the out-of-band emissions limit.

Per 27.53(c.5) for operations in the 776-788 MHz band, in the 100 kHz bands immediately outside and adjacent to the frequency block a resolution bandwidth of at least 30 kHz may be employed to demonstrate compliance with the out-of-band emissions limit.

For all plots showing emissions in the 763 – 775MHz and 793 – 805MHz band, the FCC limit per 27.53(c.4) is $65 + 10\log_{10}(P) = -35\text{dBm}$ in a 6.25kHz bandwidth.

Per 27.53(m) for operations in the BRS/EBS bands, the attenuation factor shall be not less than $40 + 10 \log (P)$ dB on all frequencies between the channel edge and 5 megahertz from the channel edge, $43 + 10 \log (P)$ dB on all frequencies between 5 megahertz and X megahertz from the channel edge, and $55 + 10 \log (P)$ dB on all frequencies more than X megahertz from the channel edge, where X is the greater of 6 megahertz or the actual emission bandwidth.

TEST PROCEDURE

The transmitter output was connected to a CMW500Test Set and configured to operate at maximum power. The band edge emissions were measured at the required operating frequencies in each band on the Spectrum Analyzer.

For each band edge measurement:

Set the spectrum analyzer span to include the block edge frequency

Set a marker to point the corresponding band edge frequency in each test case.

Set display line

Set resolution bandwidth to at least 1% of emission bandwidth.

MODES TESTED

- LTE Band 2/4/5/12/13/17/25/26/41/66

RESULTS

Test data reference attachment.

7. OUT OF BAND EMISSIONS

RULE PART(S)

FCC: §2.1051, §22.917(a), §24.238(a), §27.53 (g)(h)(m), §90.691

LIMITS

The minimum permissible attenuation level of any spurious emission is $43 + \log_{10}(P[\text{Watts}])$, where P is the transmitter power in Watts.

The minimum permissible attenuation level for Band 7 is as following.

Per 27.53(g) for operations in the 698-746 MHz band, in the 100 kHz bands immediately outside and adjacent to the frequency block a resolution bandwidth of at least 30 kHz may be employed to demonstrate compliance with the out-of-band emissions limit.

Per 27.53(c.5) for operations in the 776-788 MHz band, in the 100 kHz bands immediately outside and adjacent to the frequency block a resolution bandwidth of at least 30 kHz may be employed to demonstrate compliance with the out-of-band emissions limit.

For all plots showing emissions in the 763 – 775MHz and 793 – 805MHz band, the FCC limit per 27.53(c.4) is $65 + 10\log_{10}(P) = -35\text{dBm}$ in a 6.25kHz bandwidth.

Per 27.53(m) for operations in the BRS/EBS bands, the attenuation factor shall be not less than $40 + 10 \log (P)$ dB on all frequencies between the channel edge and 5 megahertz from the channel edge, $43 + 10 \log (P)$ dB on all frequencies between 5 megahertz and X megahertz from the channel edge, and $55 + 10 \log (P)$ dB on all frequencies more than X megahertz from the channel edge, where X is the greater of 6 megahertz or the actual emission bandwidth.

TEST PROCEDURE

The RF output of the transmitter was connected to a spectrum analyzer through a calibrated coaxial cable. Sufficient scans were taken to show the out-of-band Emissions, if any, up to 10th harmonic. Multiple sweeps were recorded in maximum hold mode using a peak detector to ensure that the worst-case emissions were caught.

For each out of band emissions measurement:

- Set display line
- Set RBW & VBW to 100 kHz for the measurement below 1 GHz, and 1 MHz for the measurement above 1 GHz.

MODES TESTED

LTE Band 2/4/5/12/13/17/25/26/41/66

7.1 MEASUREMENT METHOD

The test set up and general procedure is similar to conducted peak output power test. Only different for setting the measurement configuration of the measuring instrument of Spectrum Analyzer.

Test data reference attachment.

Note: Both QPSK and 16QAM has been tested, the worst case is QPSK mode, the report just reported the worst case.

8. RADIATED MEASUREMENT

8.1 RADIATED POWER (ERP & EIRP)

RULE PART(S)

FCC: §2.1046, §22.913(a)(2), §24.232(c) and §27.50 (h)(2), (b)(10), (d)(4), §90S

LIMITS:

22.913(a) (2)- The ERP of mobile transmitters and auxiliary test transmitters must not exceed 7 Watts.
24.232 (c) Mobile and portable stations are limited to 2 watts EIRP.
27.50 (c) (10) the following power and antenna height requirements apply to stations transmitting in the 698–746 MHz band, the portable stations (hand-held devices) are limited to 3 watts ERP.
27.50 (b)(10) Portable stations (hand-held devices) transmitting in the 746–757 MHz, 758–763 MHz, 776–793 MHz, and 805–806 MHz bands are limited to 3 watts ERP.
27.50 (d)(4) The following power and antenna height requirements apply to stations transmitting in the 1710–1755 MHz and 2110–2155 MHz bands: Fixed, mobile, and portable (hand-held) stations operating in the 1710–1755 MHz band are limited to 1 watt EIRP.
27.50 (h)(2) Mobile and other user stations in the 2500–2570 MHz and 2620–2690 MHz bands. Mobile stations are limited to 2.0 watts EIRP. All user stations are limited to 2.0 watts transmitter output power.

TEST PROCEDURE

ANSI/TIA-603-E Clause 2.2.17

KDB 971168 v02r01 RF power output using broadband peak and average power meter method.

KDB 971168 D01 Power Meas License Digital Systems v02r01, "Measurement Guidance for Certification of Licensed Digital Transmitters"

MODES TESTED

LTE Band 2/4/5/12/13/17/25/26/41/66

RESULTS

Pass

8.2 LTE BAND 2

Radiated Power (EIRP) for Band 2									
Mode	RB/RB SIZE	Frequency	Result						Conclusion
			SG Level (dBm)	Cable Loss (dBm)	Antenna Gain (dB)	Max. EIRP Average (dBm)	Max. EIRP Average (mW)	Polarization Of Max. ERP	
1.4MHz Band QPSK	1/#Mid	1850.7	0.20	3.76	28.24	24.68	293.75	Horizontal	Pass
		1880	1.14	3.91	28.22	25.45	350.73	Horizontal	Pass
		1909.3	0.44	3.93	28.20	24.71	296.11	Horizontal	Pass
3.0MHz Band QPSK	1/#Mid	1851.5	0.84	3.77	28.23	25.30	338.61	Horizontal	Pass
		1880	-0.08	3.91	28.24	24.25	266.11	Horizontal	Pass
		1908.5	0.66	3.94	28.25	24.97	314.38	Horizontal	Pass
5.0MHz Band QPSK	1/#Mid	1852.5	0.22	3.77	28.31	24.76	299.04	Horizontal	Pass
		1880	0.81	3.91	28.22	25.12	324.96	Horizontal	Pass
		1907.5	0.53	3.94	28.20	24.79	301.61	Horizontal	Pass
10.0MHz Band QPSK	1/#Mid	1855	0.01	3.79	28.33	24.55	285.29	Horizontal	Pass
		1880	1.30	3.95	28.22	25.57	360.21	Horizontal	Pass
		1905	0.66	3.97	28.19	24.88	307.61	Horizontal	Pass
15.0MHz Band QPSK	1/#Mid	1857.5	0.47	3.79	28.34	25.02	317.80	Horizontal	Pass
		1880	0.65	3.95	28.22	24.92	310.12	Horizontal	Pass
		1902.5	0.62	3.97	28.18	24.83	304.10	Horizontal	Pass
20.0MHz Band QPSK	1/#Mid	1860	-0.38	3.81	28.35	24.16	260.54	Horizontal	Pass
		1880	0.25	3.96	28.22	24.51	282.72	Horizontal	Pass
		1900	0.37	4.00	28.16	24.53	283.60	Horizontal	Pass
1.4MHz Band QPSK	1/#Mid	1850.7	0.16	3.76	28.24	24.64	290.88	Vertical	Pass
		1880	0.65	3.91	28.22	24.96	313.46	Vertical	Pass
		1909.3	1.45	3.93	28.20	25.72	372.93	Vertical	Pass
3.0MHz Band QPSK	1/#Mid	1851.5	0.94	3.77	28.23	25.40	346.45	Vertical	Pass
		1880	1.28	3.91	28.24	25.61	364.11	Vertical	Pass
		1908.5	0.77	3.94	28.25	25.08	321.82	Vertical	Pass
5.0MHz Band QPSK	1/#Mid	1852.5	0.89	3.77	28.31	25.43	348.96	Vertical	Pass
		1880	1.49	3.91	28.22	25.80	380.01	Vertical	Pass
		1907.5	0.72	3.94	28.20	24.98	315.02	Vertical	Pass
10.0MHz Band QPSK	1/#Mid	1855	0.62	3.79	28.33	25.16	327.95	Vertical	Pass
		1880	0.53	3.95	28.22	24.80	302.28	Vertical	Pass

QPSK		1905	1.18	3.97	28.19	25.40	346.74	Vertical	Pass
15.0MH	z Band 1/#Mid	1857.5	-0.02	3.79	28.34	24.53	283.47	Vertical	Pass
QPSK		1880	1.09	3.95	28.22	25.36	343.41	Vertical	Pass
QPSK		1902.5	1.08	3.97	28.18	25.29	338.04	Vertical	Pass
20.0MH	z Band 1/#Mid	1860	0.20	3.81	28.35	24.74	297.89	Vertical	Pass
QPSK		1880	1.57	3.96	28.22	25.83	382.86	Vertical	Pass
QPSK		1900	1.56	4.00	28.16	25.72	373.31	Vertical	Pass

Note:

SG Level= Signal generator output

Max. EIRP Average (dBm)= Antenna Gain(dB)+ SG Level (dBm)- Cable Loss(dBm)

Radiated Power (EIRP) for Band 2									
Mode	RB/RB SIZE	Frequency	Result					Polarization Of Max. ERP	Conclusion
			SG Level (dBm)	Cable Loss (dBm)	Antenna Gain (dB)	Max. EIRP Average (dBm)	Max. EIRP Average (mW)		
1.4MHz Band 16 QAM	1/#Mid	1850.7	-0.25	3.76	28.24	24.23	265.12	Horizontal	Pass
		1880	0.41	3.91	28.22	24.72	296.52	Horizontal	Pass
		1909.3	0.19	3.93	28.20	24.46	278.97	Horizontal	Pass
3.0MHz Band 16 QAM	1/#Mid	1851.5	-0.23	3.77	28.23	24.23	265.08	Horizontal	Pass
		1880	-0.72	3.91	28.24	23.61	229.47	Horizontal	Pass
		1908.5	-0.79	3.94	28.25	23.52	224.85	Horizontal	Pass
5.0MHz Band 16 QAM	1/#Mid	1852.5	-0.53	3.77	28.31	24.01	251.89	Horizontal	Pass
		1880	-0.69	3.91	28.22	23.62	230.06	Horizontal	Pass
		1907.5	-0.24	3.94	28.20	24.02	252.20	Horizontal	Pass
10.0MHz Band 16 QAM	1/#Mid	1855	-1.22	3.79	28.33	23.32	214.97	Horizontal	Pass
		1880	-0.52	3.95	28.22	23.75	237.31	Horizontal	Pass
		1905	0.47	3.97	28.19	24.69	294.43	Horizontal	Pass
15.0MHz Band 16 QAM	1/#Mid	1857.5	-0.81	3.79	28.34	23.74	236.38	Horizontal	Pass
		1880	-0.37	3.95	28.22	23.90	245.61	Horizontal	Pass
		1902.5	0.19	3.97	28.18	24.40	275.54	Horizontal	Pass
20.0MHz Band 16 QAM	1/#Mid	1860	-1.81	3.81	28.35	22.73	187.62	Horizontal	Pass
		1880	-0.05	3.96	28.22	24.21	263.69	Horizontal	Pass
		1900	-0.96	4.00	28.16	23.20	209.15	Horizontal	Pass
1.4MHz Band 16 QAM	1/#Mid	1850.7	-1.16	3.76	28.24	23.32	214.92	Vertical	Pass
		1880	-0.05	3.91	28.22	24.26	266.48	Vertical	Pass
		1909.3	0.44	3.93	28.20	24.71	295.85	Vertical	Pass
3.0MHz Band 16 QAM	1/#Mid	1851.5	-0.29	3.77	28.23	24.17	260.95	Vertical	Pass
		1880	0.28	3.91	28.24	24.61	289.09	Vertical	Pass
		1908.5	0.00	3.94	28.25	24.31	269.78	Vertical	Pass
5.0MHz Band 16 QAM	1/#Mid	1852.5	-0.34	3.77	28.31	24.20	262.91	Vertical	Pass
		1880	-0.36	3.91	28.22	23.95	248.28	Vertical	Pass
		1907.5	-0.43	3.94	28.20	23.83	241.28	Vertical	Pass
10.0MHz Band 16 QAM	1/#Mid	1855	-0.73	3.79	28.33	23.81	240.45	Vertical	Pass
		1880	-1.00	3.95	28.22	23.27	212.27	Vertical	Pass
		1905	0.12	3.97	28.19	24.34	271.41	Vertical	Pass
15.0MHz Band 16	1/#Mid	1857.5	-1.21	3.79	28.34	23.34	215.87	Vertical	Pass
		1880	0.20	3.95	28.22	24.47	279.95	Vertical	Pass

QAM		1902.5	0.52	3.97	28.18	24.73	297.17	Vertical	Pass
20.0MHz	1/#Mid	1860	-1.42	3.81	28.35	23.12	204.94	Vertical	Pass
Band 16		1880	0.52	3.96	28.22	24.78	300.54	Vertical	Pass
QAM		1900	0.01	4.00	28.16	24.17	261.47	Vertical	Pass

Note:

SG Level= Signal generator output

Max. EIRP Average (dBm)= Antenna Gain(dB)+ SG Level (dBm)- Cable Loss(dBm)

8.3 LTE BAND 4

Radiated Power (EIRP) for Band 4									
Mode	RB/RB SIZE	Frequency	Result						Conclusion
			SG Level (dBm)	Cable Loss (dBm)	Antenna Gain (dB)	Max. EIRP Average (dBm)	Max. EIRP Average (mW)	Polarization Of Max. ERP	
1.4MHz Band QPSK	1/#Mid	1710.7	-0.62	3.12	27.58	23.84	242.15	Horizontal	Pass
		1732.5	0.05	3.27	27.61	24.39	275.00	Horizontal	Pass
		1754.3	-0.71	3.29	27.63	23.63	230.87	Horizontal	Pass
3.0MHz Band QPSK	1/#Mid	1711.5	-0.80	3.13	27.61	23.68	233.55	Horizontal	Pass
		1732.5	-0.49	3.27	27.61	23.85	242.56	Horizontal	Pass
		1753.5	-0.40	3.30	27.62	23.92	246.64	Horizontal	Pass
5.0MHz Band QPSK	1/#Mid	1712.5	-0.53	3.13	27.63	23.97	249.61	Horizontal	Pass
		1732.5	-0.26	3.27	27.61	24.08	255.95	Horizontal	Pass
		1752.5	-0.52	3.30	27.60	23.78	238.53	Horizontal	Pass
10.0MHz Band QPSK	1/#Mid	1715	-0.74	3.15	27.64	23.75	237.05	Horizontal	Pass
		1732.5	-0.41	3.31	27.61	23.89	244.81	Horizontal	Pass
		1750	-0.57	3.33	27.59	23.69	234.12	Horizontal	Pass
15.0MHz Band QPSK	1/#Mid	1717.5	-1.10	3.15	27.65	23.40	218.58	Horizontal	Pass
		1732.5	-0.38	3.31	27.61	23.92	246.70	Horizontal	Pass
		1747.5	-0.42	3.33	27.57	23.82	240.82	Horizontal	Pass
20.0MHz Band QPSK	1/#Mid	1720	-1.96	3.17	27.66	22.53	179.13	Horizontal	Pass
		1732.5	-0.24	3.32	27.61	24.05	254.22	Horizontal	Pass
		1745	-0.85	3.36	27.56	23.35	216.29	Horizontal	Pass
1.4MHz Band QPSK	1/#Mid	1710.7	-0.30	3.12	27.58	24.16	260.83	Vertical	Pass
		1732.5	-0.41	3.27	27.61	23.93	247.24	Vertical	Pass
		1754.3	-0.46	3.29	27.63	23.88	244.07	Vertical	Pass
3.0MHz Band QPSK	1/#Mid	1711.5	-0.70	3.13	27.61	23.78	238.76	Vertical	Pass
		1732.5	-0.39	3.27	27.61	23.95	248.11	Vertical	Pass
		1753.5	-0.13	3.30	27.62	24.19	262.42	Vertical	Pass
5.0MHz Band QPSK	1/#Mid	1712.5	-0.57	3.13	27.63	23.93	247.43	Vertical	Pass
		1732.5	0.19	3.27	27.61	24.53	283.80	Vertical	Pass
		1752.5	-0.08	3.30	27.60	24.22	264.43	Vertical	Pass
10.0MHz Band QPSK	1/#Mid	1715	-0.33	3.15	27.64	24.16	260.36	Vertical	Pass
		1732.5	-0.54	3.31	27.61	23.76	237.45	Vertical	Pass

QPSK		1750	-0.03	3.33	27.59	24.23	264.57	Vertical	Pass
15.0MH	1/#Mid	1717.5	-1.12	3.15	27.65	23.38	217.75	Vertical	Pass
z Band		1732.5	-0.46	3.31	27.61	23.84	242.26	Vertical	Pass
QPSK		1747.5	-0.66	3.33	27.57	23.58	227.79	Vertical	Pass
20.0MH	1/#Mid	1720	-0.74	3.17	27.66	23.75	237.32	Vertical	Pass
z Band		1732.5	0.25	3.32	27.61	24.54	284.48	Vertical	Pass
QPSK		1745	-0.34	3.36	27.56	23.86	243.27	Vertical	Pass

Note:

SG Level= Signal generator output

Max. EIRP Average (dBm)= Antenna Gain(dB)+ SG Level (dBm)- Cable Loss(dBm)

Radiated Power (EIRP) for Band 4									
Mode	RB/RB SIZE	Frequency	Result						Conclusion
			SG Level (dBm)	Cable Loss (dBm)	Antenna Gain (dB)	Max. EIRP Average (dBm)	Max. EIRP Average (mW)	Polarization Of Max. ERP	
1.4MHz Band 16 QAM	1/#Mid	1710.7	-0.60	3.12	27.58	23.86	243.44	Horizontal	Pass
		1732.5	-0.34	3.27	27.61	24.00	250.90	Horizontal	Pass
		1754.3	-1.36	3.29	27.63	22.98	198.73	Horizontal	Pass
3.0MHz Band 16 QAM	1/#Mid	1711.5	-1.77	3.13	27.61	22.71	186.79	Horizontal	Pass
		1732.5	-0.90	3.27	27.61	23.44	220.82	Horizontal	Pass
		1753.5	-0.47	3.30	27.62	23.85	242.41	Horizontal	Pass
5.0MHz Band 16 QAM	1/#Mid	1712.5	-1.26	3.13	27.63	23.24	210.99	Horizontal	Pass
		1732.5	-1.06	3.27	27.61	23.28	212.69	Horizontal	Pass
		1752.5	-1.19	3.30	27.60	23.11	204.60	Horizontal	Pass
10.0MHz Band 16 QAM	1/#Mid	1715	-0.84	3.15	27.64	23.65	231.79	Horizontal	Pass
		1732.5	-1.01	3.31	27.61	23.29	213.11	Horizontal	Pass
		1750	-0.45	3.33	27.59	23.81	240.26	Horizontal	Pass
15.0MHz Band 16 QAM	1/#Mid	1717.5	-1.00	3.15	27.65	23.50	223.97	Horizontal	Pass
		1732.5	-0.75	3.31	27.61	23.55	226.51	Horizontal	Pass
		1747.5	-1.19	3.33	27.57	23.05	202.01	Horizontal	Pass
20.0MHz Band 16 QAM	1/#Mid	1720	-3.14	3.17	27.66	21.35	136.54	Horizontal	Pass
		1732.5	-0.61	3.32	27.61	23.68	233.53	Horizontal	Pass
		1745	-1.50	3.36	27.56	22.70	186.08	Horizontal	Pass
1.4MHz Band 16 QAM	1/#Mid	1710.7	-1.23	3.12	27.58	23.23	210.33	Vertical	Pass
		1732.5	-0.96	3.27	27.61	23.38	217.67	Vertical	Pass
		1754.3	-0.85	3.29	27.63	23.49	223.60	Vertical	Pass
3.0MHz Band 16 QAM	1/#Mid	1711.5	-0.06	3.13	27.61	24.42	276.81	Vertical	Pass
		1732.5	0.43	3.27	27.61	24.77	299.99	Vertical	Pass
		1753.5	-0.39	3.30	27.62	23.93	246.94	Vertical	Pass
5.0MHz Band 16 QAM	1/#Mid	1712.5	-1.00	3.13	27.63	23.50	223.91	Vertical	Pass
		1732.5	-1.31	3.27	27.61	23.03	200.76	Vertical	Pass
		1752.5	-0.52	3.30	27.60	23.78	238.86	Vertical	Pass
10.0MHz Band 16 QAM	1/#Mid	1715	-0.68	3.15	27.64	23.81	240.36	Vertical	Pass
		1732.5	-1.35	3.31	27.61	22.95	197.05	Vertical	Pass
		1750	-1.07	3.33	27.59	23.19	208.35	Vertical	Pass
15.0MHz Band 16	1/#Mid	1717.5	-1.78	3.15	27.65	22.72	187.03	Vertical	Pass
		1732.5	-0.59	3.31	27.61	23.71	235.06	Vertical	Pass

QAM		1747.5	0.49	3.33	27.57	24.73	297.22	Vertical	Pass
20.0MHz		1720	-0.87	3.17	27.66	23.62	230.15	Vertical	Pass
Band 16	1/#Mid	1732.5	-0.14	3.32	27.61	24.15	260.07	Vertical	Pass
QAM		1745	0.63	3.36	27.56	24.83	304.09	Vertical	Pass

Note:

SG Level= Signal generator output

Max. EIRP Average (dBm)= Antenna Gain(dB)+ SG Level (dBm)- Cable Loss(dBm)

8.4 LTE BAND 5

Radiated Power (ERP) for Band 5										
Mode	RB/ RB SIZE	Freque ncy	Result							Conclu sion
			SG Level (dBm)	Cable Loss (dBm)	Anten na Gain (dB)	Corre ction (dB)	Max. ERP Averag e (dBm)	Max. ERP Averag e (mW)	Polarizati on Of Max. ERP	
1.4MHz Band QPSK	1/#Mid	824.7	8.30	2.01	19.68	2.15	23.82	240.99	Horizontal	Pass
		836.5	7.42	2.01	19.77	2.15	23.03	201.13	Horizontal	Pass
		848.3	8.39	2.02	19.82	2.15	24.04	253.51	Horizontal	Pass
3.0MHz Band QPSK	1/#Mid	825.5	7.80	2.01	19.70	2.15	23.34	215.62	Horizontal	Pass
		836.5	7.35	2.01	19.77	2.15	22.96	197.91	Horizontal	Pass
		847.5	8.40	2.02	19.81	2.15	24.04	253.24	Horizontal	Pass
5.0MHz Band QPSK	1/#Mid	826.5	8.51	2.01	19.71	2.15	24.06	254.78	Horizontal	Pass
		836.5	6.67	2.01	19.77	2.15	22.28	169.20	Horizontal	Pass
		846.5	8.67	2.02	19.79	2.15	24.29	268.54	Horizontal	Pass
10.0MHz Band QPSK	1/#Mid	829	8.33	2.01	19.73	2.15	23.90	245.54	Horizontal	Pass
		836.5	7.43	2.01	19.77	2.15	23.04	201.47	Horizontal	Pass
		844	7.38	2.02	19.78	2.15	22.99	199.25	Horizontal	Pass
1.4MHz Band QPSK	1/#Mid	824.7	8.40	2.01	19.68	2.15	23.92	246.58	Vertical	Pass
		836.5	8.67	2.01	19.77	2.15	24.28	267.87	Vertical	Pass
		848.3	8.52	2.02	19.82	2.15	24.17	260.99	Vertical	Pass
3.0MHz Band QPSK	1/#Mid	825.5	8.45	2.01	19.70	2.15	23.99	250.53	Vertical	Pass
		836.5	9.18	2.01	19.77	2.15	24.79	301.27	Vertical	Pass
		847.5	8.27	2.02	19.81	2.15	23.91	245.95	Vertical	Pass
5.0MHz Band QPSK	1/#Mid	826.5	8.03	2.01	19.71	2.15	23.58	227.98	Vertical	Pass
		836.5	9.42	2.01	19.77	2.15	25.03	318.17	Vertical	Pass
		846.5	8.66	2.02	19.79	2.15	24.28	267.67	Vertical	Pass
10.0MHz Band QPSK	1/#Mid	829	7.84	2.01	19.73	2.15	23.41	219.18	Vertical	Pass
		836.5	9.05	2.01	19.77	2.15	24.66	292.19	Vertical	Pass
		844	9.63	2.02	19.78	2.15	25.24	334.04	Vertical	Pass

Radiated Power (ERP) for Band 5										
Mode	RB/ RB SIZE	Freque ncy	Result							Conclu sion
			SG Level (dBm)	Cable Loss (dBm)	Anten na Gain (dB)	Corre ction (dB)	Max. ERP Averag e (dBm)	Max. ERP Averag e (mW)	Polarizati on Of Max. ERP	
1.4MHz Band 16 QAM	1/#Mid	824.7	8.73	2.01	19.68	2.15	24.25	266.07	Horizontal	Pass
		836.5	9.20	2.01	19.77	2.15	24.81	302.57	Horizontal	Pass
		848.3	7.93	2.02	19.82	2.15	23.58	228.15	Horizontal	Pass
3.0MHz Band 16 QAM	1/#Mid	825.5	8.83	2.01	19.70	2.15	24.37	273.42	Horizontal	Pass
		836.5	8.57	2.01	19.77	2.15	24.18	261.62	Horizontal	Pass
		847.5	8.97	2.02	19.81	2.15	24.61	288.91	Horizontal	Pass
5.0MHz Band 16 QAM	1/#Mid	826.5	8.09	2.01	19.71	2.15	23.64	231.10	Horizontal	Pass
		836.5	8.08	2.01	19.77	2.15	23.69	233.96	Horizontal	Pass
		846.5	7.94	2.02	19.79	2.15	23.56	226.75	Horizontal	Pass
10.0MHz Band 16 QAM	1/#Mid	829	7.53	2.01	19.73	2.15	23.10	204.29	Horizontal	Pass
		836.5	8.56	2.01	19.77	2.15	24.17	261.10	Horizontal	Pass
		844	8.91	2.02	19.78	2.15	24.52	282.90	Horizontal	Pass
1.4MHz Band 16 QAM	1/#Mid	824.7	8.71	2.01	19.68	2.15	24.23	264.85	Vertical	Pass
		836.5	8.99	2.01	19.77	2.15	24.60	288.40	Vertical	Pass
		848.3	8.81	2.02	19.82	2.15	24.46	279.16	Vertical	Pass
3.0MHz Band 16 QAM	1/#Mid	825.5	8.36	2.01	19.70	2.15	23.90	245.43	Vertical	Pass
		836.5	8.37	2.01	19.77	2.15	23.98	249.86	Vertical	Pass
		847.5	7.83	2.02	19.81	2.15	23.47	222.46	Vertical	Pass
5.0MHz Band 16 QAM	1/#Mid	826.5	9.22	2.01	19.71	2.15	24.77	299.75	Vertical	Pass
		836.5	7.05	2.01	19.77	2.15	22.66	184.35	Vertical	Pass
		846.5	8.66	2.02	19.79	2.15	24.28	267.67	Vertical	Pass
10.0MHz Band 16 QAM	1/#Mid	829	9.39	2.01	19.73	2.15	24.96	313.33	Vertical	Pass
		836.5	8.41	2.01	19.77	2.15	24.02	252.55	Vertical	Pass
		844	8.72	2.02	19.78	2.15	24.33	270.86	Vertical	Pass

Note:

ERP=EIRP-2.15

SG Level= Signal generator output

Max. EIRP Average (dBm)= Antenna Gain(dB)+ SG Level (dBm)- Cable Loss(dBm)

8.5 LTE BAND 12

Radiated Power (ERP) for Band 12										
Mode	RB/ RB Position	Frequency	Result							Conclusion
			SG Level (dBm)	Cable Loss (dBm)	Antenna Gain (dB)	Correction (dB)	Max. ERP Average (dBm)	Max. ERP Average (mW)	Polarization Of Max. ERP	
1.4MHz Band QPSK	1/#Mid	699.7	10.15	1.91	19.21	2.15	25.30	338.65	Vertical	Pass
		707.5	10.00	1.91	19.26	2.15	25.20	331.34	Vertical	Pass
		715.3	9.78	1.93	19.34	2.15	25.04	319.29	Vertical	Pass
3.0MHz Band QPSK	1/#Mid	700.5	9.83	1.91	19.21	2.15	24.98	314.59	Vertical	Pass
		707.5	9.26	1.91	19.26	2.15	24.46	279.53	Vertical	Pass
		714.5	8.59	1.93	19.34	2.15	23.85	242.73	Vertical	Pass
5.0MHz Band QPSK	1/#Mid	701.5	9.20	1.91	19.23	2.15	24.37	273.58	Vertical	Pass
		707.5	9.59	1.91	19.26	2.15	24.79	301.58	Vertical	Pass
		713.5	9.06	1.92	19.33	2.15	24.32	270.28	Vertical	Pass
10.0MHz Band QPSK	1/#Mid	704	9.20	1.91	19.25	2.15	24.39	274.99	Vertical	Pass
		707.5	9.72	1.91	19.26	2.15	24.92	310.18	Vertical	Pass
		711	9.39	1.92	19.32	2.15	24.64	290.75	Vertical	Pass
1.4MHz Band QPSK	1/#Mid	699.7	10.35	1.91	19.21	2.15	25.50	355.18	Horizontal	Pass
		707.5	9.92	1.91	19.26	2.15	25.12	325.23	Horizontal	Pass
		715.3	9.41	1.93	19.34	2.15	24.67	293.17	Horizontal	Pass
3.0MHz Band QPSK	1/#Mid	700.5	9.49	1.91	19.21	2.15	24.64	291.34	Horizontal	Pass
		707.5	9.74	1.91	19.26	2.15	24.94	312.17	Horizontal	Pass
		714.5	9.12	1.93	19.34	2.15	24.38	274.43	Horizontal	Pass
5.0MHz Band QPSK	1/#Mid	701.5	9.24	1.91	19.23	2.15	24.41	276.31	Horizontal	Pass
		707.5	8.75	1.91	19.26	2.15	23.95	248.10	Horizontal	Pass
		713.5	9.43	1.92	19.33	2.15	24.69	294.75	Horizontal	Pass
10.0MHz Band QPSK	1/#Mid	704	9.97	1.91	19.25	2.15	25.16	328.05	Horizontal	Pass
		707.5	10.41	1.91	19.26	2.15	25.61	364.03	Horizontal	Pass
		711	10.17	1.92	19.32	2.15	25.42	348.68	Horizontal	Pass

Radiated Power (EIRP) for Band 12										
Mode	RB/ RB Position	Frequency	Result							Conclusion
			SG Level (dBm)	Cable Loss (dBm)	Antenna Gain (dB)	Correction (dB)	Max. ERP Average (dBm)	Max. ERP Average (mW)	Polarization Of Max. ERP	
1.4MHz Band 16 QAM	1/#Mid	699.7	10.02	1.91	19.21	2.15	25.17	328.89	Vertical	Pass
		707.5	9.66	1.91	19.26	2.15	24.86	306.02	Vertical	Pass
		715.3	9.15	1.93	19.34	2.15	24.41	275.96	Vertical	Pass
3.0MHz Band 16 QAM	1/#Mid	700.5	9.18	1.91	19.21	2.15	24.33	270.97	Vertical	Pass
		707.5	9.32	1.91	19.26	2.15	24.52	282.91	Vertical	Pass
		714.5	9.75	1.93	19.34	2.15	25.01	316.70	Vertical	Pass
5.0MHz Band 16 QAM	1/#Mid	701.5	9.47	1.91	19.23	2.15	24.64	291.25	Vertical	Pass
		707.5	9.06	1.91	19.26	2.15	24.26	266.53	Vertical	Pass
		713.5	9.46	1.92	19.33	2.15	24.72	296.25	Vertical	Pass
10.0MHz Band 16 QAM	1/#Mid	704	9.52	1.91	19.25	2.15	24.71	295.49	Vertical	Pass
		707.5	9.64	1.91	19.26	2.15	24.84	304.66	Vertical	Pass
		711	10.08	1.92	19.32	2.15	25.33	340.96	Vertical	Pass
1.4MHz Band 16 QAM	1/#Mid	699.7	9.99	1.91	19.21	2.15	25.14	326.53	Horizontal	Pass
		707.5	9.36	1.91	19.26	2.15	24.56	285.87	Horizontal	Pass
		715.3	9.30	1.93	19.34	2.15	24.56	285.79	Horizontal	Pass
3.0MHz Band 16 QAM	1/#Mid	700.5	10.01	1.91	19.21	2.15	25.16	328.23	Horizontal	Pass
		707.5	9.66	1.91	19.26	2.15	24.86	306.21	Horizontal	Pass
		714.5	9.83	1.93	19.34	2.15	25.09	322.67	Horizontal	Pass
5.0MHz Band 16 QAM	1/#Mid	701.5	9.38	1.91	19.23	2.15	24.55	284.79	Horizontal	Pass
		707.5	9.76	1.91	19.26	2.15	24.96	313.51	Horizontal	Pass
		713.5	9.72	1.92	19.33	2.15	24.98	314.46	Horizontal	Pass
10.0MHz Band 16 QAM	1/#Mid	704	10.17	1.91	19.25	2.15	25.36	343.56	Horizontal	Pass
		707.5	9.27	1.91	19.26	2.15	24.47	279.65	Horizontal	Pass
		711	9.39	1.92	19.32	2.15	24.64	290.96	Horizontal	Pass

Note:

ERP=EIRP-2.15

SG Level= Signal generator output

Max. EIRP Average (dBm)= Antenna Gain(dB)+ SG Level (dBm)- Cable Loss(dBm)

8.5 LTE BAND 13

Radiated Power (ERP) for Band 13											
Mode	RB/RB SIZE	Frequency	Result							Polarization Of Max. ERP	Conclusion
			SG Level (dBm)	Cable Loss (dBm)	Antenna Gain (dB)	Correction (dB)	Max. ERP	Max. ERP			
							Average (dBm)	Average (mW)			
5.0MHz Band QPSK	1/#Mid	779.5	7.32	1.91	19.23	2.15	22.49	177.46	Horizontal	Pass	
		782	8.27	1.91	19.26	2.15	23.47	222.17	Horizontal	Pass	
		784.5	8.06	1.92	19.33	2.15	23.32	214.62	Horizontal	Pass	
10.0MHz Band QPSK	1/#Mid	782	7.83	1.91	19.25	2.15	23.02	200.24	Horizontal	Pass	
			8.13	1.91	19.26	2.15	23.33	215.27	Horizontal	Pass	
			8.38	1.92	19.32	2.15	23.63	230.44	Horizontal	Pass	
5.0MHz Band QPSK	1/#Mid	779.5	7.98	1.91	19.23	2.15	23.15	206.35	Vertical	Pass	
		782	9.07	1.91	19.26	2.15	24.27	267.56	Vertical	Pass	
		784.5	8.48	1.92	19.33	2.15	23.74	236.77	Vertical	Pass	
10.0MHz Band QPSK	1/#Mid	782	8.22	1.91	19.25	2.15	23.41	219.50	Vertical	Pass	
			9.16	1.91	19.26	2.15	24.36	272.90	Vertical	Pass	
			8.47	1.92	19.32	2.15	23.72	235.31	Vertical	Pass	

Radiated Power (EIRP) for Band 13											
Mode	RB/ RB SIZE	Freque ncy	Result							Polarizati on Of Max. ERP	Conclu sion
			SG Level	Cable Loss (dBm)	Anten na Gain (dB)	Corre ction (dB)	Max. ERP	Max. ERP			
			(dBm)				Averag e	Averag e			
							(dBm)	(mW)			
5.0MHz Band QPSK	1/#Mid	779.5	9.15	1.91	19.23	2.15	24.32	270.40	Horizontal	Pass	
		782	7.45	1.91	19.26	2.15	22.65	183.96	Horizontal	Pass	
		784.5	8.66	1.92	19.33	2.15	23.92	246.57	Horizontal	Pass	
10.0MHz Band QPSK	1/#Mid	782	7.41	1.91	19.25	2.15	22.60	182.05	Horizontal	Pass	
			8.49	1.91	19.26	2.15	23.69	233.69	Horizontal	Pass	
			9.05	1.92	19.32	2.15	24.30	269.13	Horizontal	Pass	
5.0MHz Band QPSK	1/#Mid	779.5	8.27	1.91	19.23	2.15	23.44	220.96	Vertical	Pass	
		782	8.89	1.91	19.26	2.15	24.09	256.72	Vertical	Pass	
		784.5	9.06	1.92	19.33	2.15	24.32	270.40	Vertical	Pass	
10.0MHz Band QPSK	1/#Mid	782	9.34	1.91	19.25	2.15	24.53	284.05	Vertical	Pass	
			9.12	1.91	19.26	2.15	24.32	270.40	Vertical	Pass	
			8.87	1.92	19.32	2.15	24.12	258.01	Vertical	Pass	

Note:

ERP=EIRP-2.15

SG Level= Signal generator output

Max. EIRP Average (dBm)= Antenna Gain(dB)+ SG Level (dBm)- Cable Loss(dBm)

8.6 LTE BAND 17

Radiated Power (ERP) for Band 17										
Mode	RB/RB SIZE	Frequency	Result							Conclusion
			SG Level (dBm)	Cable Loss (dBm)	Antenna Gain (dB)	Correction (dB)	Max. ERP Average (dBm)	Max. ERP Average (mW)	Polarization Of Max. ERP	
5.0MHz Band QPSK	1/#Mid	706.5	8.27	1.91	19.23	2.15	23.44	220.59	Vertical	Pass
		710	8.16	1.91	19.26	2.15	23.36	216.89	Vertical	Pass
		713.5	8.18	1.92	19.33	2.15	23.44	220.65	Vertical	Pass
10.0MHz Band QPSK	1/#Mid	709	8.40	1.91	19.25	2.15	23.59	228.52	Vertical	Pass
		710	8.44	1.91	19.26	2.15	23.64	231.00	Vertical	Pass
		711	8.16	1.92	19.32	2.15	23.41	219.40	Vertical	Pass
5.0MHz Band QPSK	1/#Mid	706.5	8.38	1.91	19.23	2.15	23.55	226.43	Horizontal	Pass
		710	8.22	1.91	19.26	2.15	23.42	219.65	Horizontal	Pass
		713.5	8.23	1.92	19.33	2.15	23.49	223.12	Horizontal	Pass
10.0MHz Band QPSK	1/#Mid	709	8.36	1.91	19.25	2.15	23.55	226.43	Horizontal	Pass
		710	8.47	1.91	19.26	2.15	23.67	232.66	Horizontal	Pass
		711	8.11	1.92	19.32	2.15	23.36	216.62	Horizontal	Pass

Radiated Power (ERP) for Band 17										
Mode	RB/ RB SIZE	Freque ncy	Result							Conclu sion
			SG Level (dBm)	Cable Loss (dBm)	Anten na Gain (dB)	Corre ction (dB)	Max. ERP Averag e (dBm)	Max. ERP Averag e (mW)	Polarizati on Of Max. ERP	
5.0MHz Band 16 QAM	1/#Mid	706.5	8.17	1.91	19.23	2.15	23.34	215.65	Vertical	Pass
		710	8.14	1.91	19.26	2.15	23.34	215.90	Vertical	Pass
		713.5	8.08	1.92	19.33	2.15	23.34	215.55	Vertical	Pass
10.0MHz Band 16 QAM	1/#Mid	709	8.06	1.91	19.25	2.15	23.25	211.52	Vertical	Pass
		710	7.96	1.91	19.26	2.15	23.16	206.96	Vertical	Pass
		711	7.99	1.92	19.32	2.15	23.24	210.84	Vertical	Pass
5.0MHz Band 16 QAM	1/#Mid	706.5	8.07	1.91	19.23	2.15	23.24	210.73	Horizontal	Pass
		710	8.14	1.91	19.26	2.15	23.34	215.86	Horizontal	Pass
		713.5	8.09	1.92	19.33	2.15	23.35	216.18	Horizontal	Pass
10.0MHz Band 16 QAM	1/#Mid	709	8.04	1.91	19.25	2.15	23.23	210.45	Horizontal	Pass
		710	8.25	1.91	19.26	2.15	23.45	221.45	Horizontal	Pass
		711	7.92	1.92	19.32	2.15	23.17	207.59	Horizontal	Pass

Note:

ERP=EIRP-2.15

SG Level= Signal generator output

Max. EIRP Average (dBm)= Antenna Gain(dB)+ SG Level (dBm)- Cable Loss(dBm)

8.7 LTE BAND 25

Radiated Power (EIRP) for Band 25									
Mode	RB/RB SIZE	Frequency	Result						Conclusion
			SG Level (dBm)	Cable Loss (dBm)	Antenna Gain (dB)	Max. EIRP Average (dBm)	Max. EIRP Average (mW)	Polarization Of Max. ERP	
1.4MHz Band QPSK	1/#Mid	1850.7	-0.99	3.12	28.24	24.13	258.91	Horizontal	Pass
		1882.5	-1.37	3.27	28.22	23.58	227.94	Horizontal	Pass
		1914.3	-1.02	3.29	28.2	23.89	244.65	Horizontal	Pass
3.0MHz Band QPSK	1/#Mid	1851.5	-1.07	3.13	28.23	24.03	252.97	Horizontal	Pass
		1882.5	-1.14	3.27	28.24	23.83	241.59	Horizontal	Pass
		1913.5	-1.63	3.30	28.25	23.32	214.54	Horizontal	Pass
5.0MHz Band QPSK	1/#Mid	1852.5	-1.81	3.13	28.31	23.37	217.13	Horizontal	Pass
		1882.5	-1.25	3.27	28.22	23.70	234.31	Horizontal	Pass
		1912.5	-1.49	3.30	28.2	23.41	219.49	Horizontal	Pass
10.0MHz z Band QPSK	1/#Mid	1855	-1.72	3.15	28.33	23.46	221.77	Horizontal	Pass
		1882.5	-1.04	3.31	28.22	23.87	243.59	Horizontal	Pass
		1910	-1.25	3.33	28.19	23.61	229.35	Horizontal	Pass
15.0MHz z Band QPSK	1/#Mid	1857.5	-1.10	3.15	28.34	24.09	256.49	Horizontal	Pass
		1882.5	-1.50	3.31	28.22	23.41	219.38	Horizontal	Pass
		1907.5	-1.10	3.33	28.18	23.75	237.14	Horizontal	Pass
20.0MHz z Band QPSK	1/#Mid	1860	-2.55	3.17	28.35	22.63	183.25	Horizontal	Pass
		1882.5	-1.21	3.32	28.22	23.69	233.90	Horizontal	Pass
		1905	-1.68	3.36	28.16	23.12	205.18	Horizontal	Pass
1.4MHz Band QPSK	1/#Mid	1850.7	-1.03	3.12	28.24	24.09	256.62	Vertical	Pass
		1882.5	-1.37	3.27	28.22	23.58	228.24	Vertical	Pass
		1914.3	-1.06	3.29	28.2	23.85	242.80	Vertical	Pass
3.0MHz Band QPSK	1/#Mid	1851.5	-1.03	3.13	28.23	24.07	255.13	Vertical	Pass
		1882.5	-1.15	3.27	28.24	23.82	240.87	Vertical	Pass
		1913.5	-0.82	3.30	28.25	24.13	258.97	Vertical	Pass
5.0MHz Band QPSK	1/#Mid	1852.5	-1.18	3.13	28.31	24.00	250.94	Vertical	Pass
		1882.5	-0.91	3.27	28.22	24.04	253.29	Vertical	Pass
		1912.5	-1.70	3.30	28.2	23.20	208.94	Vertical	Pass
10.0MHz z Band QPSK	1/#Mid	1855	-1.00	3.15	28.33	24.18	261.84	Vertical	Pass
		1882.5	-0.81	3.31	28.22	24.10	256.82	Vertical	Pass
		1910	-1.60	3.33	28.19	23.26	211.67	Vertical	Pass

15.0MH z Band QPSK	1/#Mid	1857.5	-1.71	3.15	28.34	23.48	222.91	Vertical	Pass
		1882.5	-1.03	3.31	28.22	23.88	244.32	Vertical	Pass
		1907.5	-1.45	3.33	28.18	23.40	218.59	Vertical	Pass
20.0MH z Band QPSK	1/#Mid	1860	-2.59	3.17	28.35	22.59	181.59	Vertical	Pass
		1882.5	-1.08	3.32	28.22	23.82	240.92	Vertical	Pass
		1905	-0.61	3.36	28.16	24.19	262.42	Vertical	Pass

Radiated Power (EIRP) for Band 25									
Mode	RB/RB SIZE	Frequency	Result						Conclusion
			SG Level (dBm)	Cable Loss (dBm)	Antenna Gain (dB)	Max. EIRP Average (dBm)	Max. EIRP Average (mW)	Polarization Of Max. ERP	
1.4MHz Band 16 QAM	1/#Mid	1850.7	-1.57	3.12	28.24	23.55	226.31	Horizontal	Pass
		1882.5	-1.37	3.27	28.22	23.58	228.12	Horizontal	Pass
		1914.3	-1.42	3.29	28.2	23.49	223.19	Horizontal	Pass
3.0MHz Band 16 QAM	1/#Mid	1851.5	-1.62	3.13	28.23	23.48	222.59	Horizontal	Pass
		1882.5	-1.67	3.27	28.24	23.30	213.57	Horizontal	Pass
		1913.5	-1.51	3.30	28.25	23.44	220.81	Horizontal	Pass
5.0MHz Band 16 QAM	1/#Mid	1852.5	-1.49	3.13	28.31	23.69	234.12	Horizontal	Pass
		1882.5	-1.41	3.27	28.22	23.54	225.83	Horizontal	Pass
		1912.5	-1.28	3.30	28.2	23.62	230.29	Horizontal	Pass
10.0MHz Band 16 QAM	1/#Mid	1855	-1.51	3.15	28.33	23.67	232.61	Horizontal	Pass
		1882.5	-1.58	3.31	28.22	23.33	215.38	Horizontal	Pass
		1910	-1.66	3.33	28.19	23.20	209.06	Horizontal	Pass
15.0MHz Band 16 QAM	1/#Mid	1857.5	-1.42	3.15	28.34	23.77	238.16	Horizontal	Pass
		1882.5	-1.65	3.31	28.22	23.26	211.79	Horizontal	Pass
		1907.5	-1.42	3.33	28.18	23.43	220.10	Horizontal	Pass
20.0MHz Band 16 QAM	1/#Mid	1860	-1.68	3.17	28.35	23.50	224.11	Horizontal	Pass
		1882.5	-1.54	3.32	28.22	23.36	216.95	Horizontal	Pass
		1905	-1.83	3.36	28.16	22.97	198.32	Horizontal	Pass
1.4MHz Band 16 QAM	1/#Mid	1850.7	-1.27	3.12	28.24	23.85	242.92	Vertical	Pass
		1882.5	-1.89	3.27	28.22	23.06	202.09	Vertical	Pass
		1914.3	-1.37	3.29	28.2	23.54	226.15	Vertical	Pass
3.0MHz Band 16 QAM	1/#Mid	1851.5	-1.68	3.13	28.23	23.42	219.78	Vertical	Pass
		1882.5	-1.76	3.27	28.24	23.21	209.33	Vertical	Pass
		1913.5	-1.22	3.30	28.25	23.73	236.29	Vertical	Pass
5.0MHz Band 16 QAM	1/#Mid	1852.5	-1.22	3.13	28.31	23.96	249.10	Vertical	Pass
		1882.5	-1.72	3.27	28.22	23.23	210.28	Vertical	Pass
		1912.5	-1.27	3.30	28.2	23.63	230.89	Vertical	Pass
10.0MHz Band 16 QAM	1/#Mid	1855	-1.91	3.15	28.33	23.27	212.17	Vertical	Pass
		1882.5	-1.29	3.31	28.22	23.62	230.35	Vertical	Pass
		1910	-1.34	3.33	28.19	23.52	225.03	Vertical	Pass
15.0MHz Band 16	1/#Mid	1857.5	-1.86	3.15	28.34	23.33	215.36	Vertical	Pass
		1882.5	-1.29	3.31	28.22	23.62	229.99	Vertical	Pass

QAM		1907.5	-1.15	3.33	28.18	23.70	234.47	Vertical	Pass
20.0MHz	1/#Mid	1860	-1.04	3.17	28.35	24.14	259.12	Vertical	Pass
Band 16		1882.5	-0.73	3.32	28.22	24.17	261.29	Vertical	Pass
QAM		1905	-1.27	3.36	28.16	23.53	225.35	Vertical	Pass

Note:

ERP=EIRP-2.15

SG Level= Signal generator output

Max. EIRP Average (dBm)= Antenna Gain(dB)+ SG Level (dBm)- Cable Loss(dBm)

8.7 LTE BAND 26

Radiated Power (EIRP) for Band 26 (814~824MHz)										
Mode	RB/ RB SIZE	Frequ ncy	Result							Concl usion
			SG Level (dBm)	Cable Loss (dBm)	Anten na Gain (dB)	Corre ction (dB)	Max. EIRP Averag e (dBm)	Max. EIRP Averag e (mW)	Polarizati on Of Max. ERP	
1.4MHz BW QPSK	1/#Mid	814.7	1.71	3.76	28.24	2.15	24.04	253.57	Horizontal	Pass
		819	2.10	3.91	28.22	2.15	24.26	266.81	Horizontal	Pass
		823.3	1.95	3.93	28.20	2.15	24.07	255.16	Horizontal	Pass
3.0MHz BW QPSK	1/#Mid	815.5	1.89	3.77	28.23	2.15	24.20	262.85	Horizontal	Pass
		819	2.00	3.91	28.24	2.15	24.18	261.70	Horizontal	Pass
		822.5	2.05	3.94	28.25	2.15	24.21	263.38	Horizontal	Pass
5.0MHz BW QPSK	1/#Mid	816.5	1.19	3.77	28.31	2.15	23.58	227.88	Horizontal	Pass
		819	1.63	3.91	28.22	2.15	23.79	239.55	Horizontal	Pass
		821.5	2.05	3.94	28.20	2.15	24.16	260.62	Horizontal	Pass
10.0MH z BW QPSK	1/#Mid	819	2.07	3.91	28.22	2.15	24.23	264.85	Horizontal	Pass
1.4MHz BW QPSK	1/#Mid	814.7	1.81	3.79	28.34	2.15	24.21	263.63	Vertical	Pass
		819	1.87	3.95	28.22	2.15	23.99	250.33	Vertical	Pass
		823.3	1.92	3.97	28.18	2.15	23.98	250.05	Vertical	Pass
3.0MHz BW QPSK	1/#Mid	815.5	1.49	3.77	28.23	2.15	23.80	239.74	Vertical	Pass
		819	2.05	3.91	28.24	2.15	24.23	264.81	Vertical	Pass
		822.5	2.10	3.94	28.25	2.15	24.26	266.69	Vertical	Pass
5.0MHz BW QPSK	1/#Mid	816.5	1.85	3.77	28.31	2.15	24.24	265.23	Vertical	Pass
		819	2.11	3.91	28.22	2.15	24.27	267.04	Vertical	Pass
		821.5	2.05	3.94	28.20	2.15	24.16	260.62	Vertical	Pass
10.0MH z BW QPSK	1/#Mid	819	2.20	3.91	28.22	2.15	24.36	272.90	Vertical	Pass

Radiated Power (EIRP) for Band 26 (814~824MHz)										
Mode	RB/ RB SIZE	Freque ncy	Result							Concl usion
			SG Level (dBm)	Cable Loss (dBm)	Anten na Gain (dB)	Corre ction (dB)	Max. EIRP Averag e (dBm)	Max. EIRP Averag e (mW)	Polarizati on Of Max. ERP	
1.4MHz Band 16 QAM	1/#Mid	814.7	1.89	3.76	28.24	2.15	24.22	264.19	Horizontal	Pass
		819	2.16	3.91	28.22	2.15	24.32	270.40	Horizontal	Pass
		823.3	2.25	3.93	28.20	2.15	24.37	273.49	Horizontal	Pass
3.0MHz Band 16 QAM	1/#Mid	815.5	1.92	3.77	28.23	2.15	24.23	264.85	Horizontal	Pass
		819	2.13	3.91	28.24	2.15	24.31	269.77	Horizontal	Pass
		822.5	1.88	3.94	28.25	2.15	24.04	253.69	Horizontal	Pass
5.0MHz Band 16 QAM	1/#Mid	816.5	1.83	3.77	28.31	2.15	24.22	264.19	Horizontal	Pass
		819	1.59	3.91	28.22	2.15	23.75	236.88	Horizontal	Pass
		821.5	1.98	3.94	28.20	2.15	24.09	256.22	Horizontal	Pass
10.0MH z Band 16 QAM	1/#Mid	819	2.09	3.91	28.24	2.15	24.27	267.34	Horizontal	Pass
1.4MHz Band 16 QAM	1/#Mid	814.7	1.91	3.79	28.34	2.15	24.31	269.77	Vertical	Pass
		819	2.09	3.95	28.22	2.15	24.21	263.63	Vertical	Pass
		823.3	2.05	3.97	28.18	2.15	24.11	257.51	Vertical	Pass
3.0MHz Band 16 QAM	1/#Mid	815.5	2.01	3.77	28.23	2.15	24.32	270.40	Vertical	Pass
		819	2.14	3.91	28.24	2.15	24.32	270.40	Vertical	Pass
		822.5	1.69	3.94	28.25	2.15	23.85	242.41	Vertical	Pass
5.0MHz Band 16 QAM	1/#Mid	816.5	1.43	3.77	28.31	2.15	23.82	241.14	Vertical	Pass
		819	1.49	3.91	28.22	2.15	23.65	231.65	Vertical	Pass
		821.5	2.24	3.94	28.20	2.15	24.35	272.27	Vertical	Pass
10.0MH z Band 16 QAM	1/#Mid	819	2.21	3.91	28.24	2.15	24.39	274.79	Vertical	Pass

Radiated Power (EIRP) for Band 26 (824~849MHz)											
Mode	RB/ RB SIZE	Freque ncy	Result							Polarizati on Of Max. ERP	Concl usion
			SG Level	Cable Loss (dBm)	Anten na Gain (dB)	Correc tion (dB)	Max. EIRP	Max. EIRP			
			(dBm)				Average (dBm)	Average (mW)			
1.4MHz BW QPSK	1/#Mid	824.7	9.23	2.01	19.68	2.15	24.75	298.33	Horizontal	Pass	
		836.5	7.89	2.01	19.77	2.15	23.50	223.63	Horizontal	Pass	
		848.3	9.31	2.02	19.82	2.15	24.96	313.52	Horizontal	Pass	
3.0MHz BW QPSK	1/#Mid	825.5	8.15	2.01	19.70	2.15	23.69	234.10	Horizontal	Pass	
		836.5	8.52	2.01	19.77	2.15	24.13	258.71	Horizontal	Pass	
		847.5	8.49	2.02	19.81	2.15	24.13	258.94	Horizontal	Pass	
5.0MHz BW QPSK	1/#Mid	826.5	8.37	2.01	19.71	2.15	23.92	246.49	Horizontal	Pass	
		836.5	7.86	2.01	19.77	2.15	23.47	222.28	Horizontal	Pass	
		846.5	8.78	2.02	19.79	2.15	24.40	275.22	Horizontal	Pass	
10.0MHz z BW QPSK	1/#Mid	829	8.15	2.01	19.73	2.15	23.72	235.28	Horizontal	Pass	
		836.5	8.01	2.01	19.77	2.15	23.62	230.37	Horizontal	Pass	
		844	7.92	2.02	19.78	2.15	23.53	225.24	Horizontal	Pass	
15.0MHz z BW QPSK	1/#Mid	831.5	8.80	2.01	19.73	2.15	24.37	273.23	Horizontal	Pass	
		836.5	8.09	2.01	19.77	2.15	23.70	234.60	Horizontal	Pass	
		841.5	8.63	2.02	19.78	2.15	24.24	265.68	Horizontal	Pass	
1.4MHz BW QPSK	1/#Mid	824.7	9.73	2.01	19.68	2.15	25.25	335.18	Vertical	Pass	
		836.5	9.06	2.01	19.77	2.15	24.67	292.78	Vertical	Pass	
		848.3	8.91	2.02	19.82	2.15	24.56	285.91	Vertical	Pass	
3.0MHz BW QPSK	1/#Mid	825.5	8.59	2.01	19.70	2.15	24.13	258.54	Vertical	Pass	
		836.5	9.10	2.01	19.77	2.15	24.71	296.03	Vertical	Pass	
		847.5	9.08	2.02	19.81	2.15	24.72	296.21	Vertical	Pass	
5.0MHz BW QPSK	1/#Mid	826.5	8.78	2.01	19.71	2.15	24.33	270.86	Vertical	Pass	
		836.5	9.81	2.01	19.77	2.15	25.42	348.41	Vertical	Pass	
		846.5	8.63	2.02	19.79	2.15	24.25	265.86	Vertical	Pass	
10.0MHz z BW QPSK	1/#Mid	829	8.86	2.01	19.73	2.15	24.43	277.07	Vertical	Pass	
		836.5	9.61	2.01	19.77	2.15	25.22	332.92	Vertical	Pass	
		844	9.71	2.02	19.78	2.15	25.32	340.11	Vertical	Pass	
15.0MHz z BW QPSK	1/#Mid	831.5	8.39	2.01	19.73	2.15	23.96	248.85	Vertical	Pass	
		836.5	9.76	2.01	19.77	2.15	25.37	344.16	Vertical	Pass	
		841.5	10.10	2.02	19.78	2.15	25.71	372.26	Vertical	Pass	

Radiated Power (EIRP) for Band 26 (824~849MHz)										
Mode	RB/ RB SIZE	Freque ncy	Result							Concl usion
			SG Level	Cable Loss (dBm)	Ante nna Gain (dB)	Corre ction (dB)	Max. EIRP	Max. EIRP	Polarizati on Of Max. ERP	
			(dBm)				Average (dBm)	Average (mW)		
1.4MHz Band 16 QAM	1/#Mid	824.7	9.27	2.01	19.68	2.15	24.79	301.26	Horizontal	Pass
		836.5	8.19	2.01	19.77	2.15	23.80	239.82	Horizontal	Pass
		848.3	7.52	2.02	19.82	2.15	23.17	207.63	Horizontal	Pass
3.0MHz Band 16 QAM	1/#Mid	825.5	7.75	2.01	19.70	2.15	23.29	213.45	Horizontal	Pass
		836.5	8.10	2.01	19.77	2.15	23.71	235.03	Horizontal	Pass
		847.5	8.13	2.02	19.81	2.15	23.77	238.46	Horizontal	Pass
5.0MHz Band 16 QAM	1/#Mid	826.5	7.61	2.01	19.71	2.15	23.16	206.92	Horizontal	Pass
		836.5	8.00	2.01	19.77	2.15	23.61	229.67	Horizontal	Pass
		846.5	7.62	2.02	19.79	2.15	23.24	210.78	Horizontal	Pass
10.0MH z Band 16 QAM	1/#Mid	829	8.07	2.01	19.73	2.15	23.64	231.32	Horizontal	Pass
		836.5	8.40	2.01	19.77	2.15	24.01	252.04	Horizontal	Pass
		844	8.54	2.02	19.78	2.15	24.15	260.22	Horizontal	Pass
15.0MH z Band 16 QAM	1/#Mid	831.5	7.94	2.01	19.73	2.15	23.51	224.26	Horizontal	Pass
		836.5	8.09	2.01	19.77	2.15	23.70	234.62	Horizontal	Pass
		841.5	8.20	2.02	19.78	2.15	23.81	240.66	Horizontal	Pass
1.4MHz Band 16 QAM	1/#Mid	824.7	8.48	2.01	19.68	2.15	24.00	251.00	Vertical	Pass
		836.5	8.89	2.01	19.77	2.15	24.50	281.96	Vertical	Pass
		848.3	8.72	2.02	19.82	2.15	24.37	273.74	Vertical	Pass
3.0MHz Band 16 QAM	1/#Mid	825.5	7.52	2.01	19.70	2.15	23.06	202.17	Vertical	Pass
		836.5	8.00	2.01	19.77	2.15	23.61	229.42	Vertical	Pass
		847.5	8.40	2.02	19.81	2.15	24.04	253.45	Vertical	Pass
5.0MHz Band 16 QAM	1/#Mid	826.5	8.36	2.01	19.71	2.15	23.91	245.86	Vertical	Pass
		836.5	7.58	2.01	19.77	2.15	23.19	208.62	Vertical	Pass
		846.5	8.99	2.02	19.79	2.15	24.61	288.95	Vertical	Pass
10.0MH z Band 16 QAM	1/#Mid	829	9.37	2.01	19.73	2.15	24.94	311.67	Vertical	Pass
		836.5	8.51	2.01	19.77	2.15	24.12	258.27	Vertical	Pass
		844	8.15	2.02	19.78	2.15	23.76	237.50	Vertical	Pass
15.0MH z Band 16 QAM	1/#Mid	831.5	8.79	2.01	19.73	2.15	24.36	272.63	Vertical	Pass
		836.5	8.69	2.01	19.77	2.15	24.30	268.96	Vertical	Pass
		841.5	9.76	2.02	19.78	2.15	25.37	344.16	Vertical	Pass

Note:ERP=EIRP-2.15

SG Level= Signal generator output

Max. EIRP Average (dBm)= Antenna Gain(dB)+ SG Level (dBm)- Cable Loss(dBm)

8.7 LTE BAND 41

Radiated Power (EIRP) for Band 41									
Mode	RB/RB SIZE	Frequency	Result						Conclusion
			SG Level (dBm)	Cable Loss (dBm)	Antenna Gain (dB)	Max. EIRP Average (dBm)	Max. EIRP Average (mW)	Polarization Of Max. ERP	
5.0MHz Band QPSK	1/#Mid	2498.5	0.94	4.54	27.75	24.15	259.75	Horizontal	Pass
		2593	0.56	4.69	27.72	23.59	228.55	Horizontal	Pass
		2687.5	1.19	4.71	27.71	24.19	262.16	Horizontal	Pass
10.0MHz z Band QPSK	1/#Mid	2685	0.68	4.55	27.76	23.89	244.74	Horizontal	Pass
		2593	1.29	4.69	27.72	24.32	270.16	Horizontal	Pass
		2501	1.05	4.72	27.7	24.03	253.20	Horizontal	Pass
15.0MHz z Band QPSK	1/#Mid	2503.5	1.42	4.55	27.77	24.64	290.83	Horizontal	Pass
		2593	1.01	4.69	27.72	24.04	253.75	Horizontal	Pass
		2682.5	0.80	4.72	27.69	23.77	238.18	Horizontal	Pass
20.0MHz z Band QPSK	1/#Mid	2506	0.72	4.57	27.78	23.93	247.41	Horizontal	Pass
		2593	1.18	4.73	27.72	24.17	261.41	Horizontal	Pass
		2680	1.32	4.75	27.68	24.25	265.95	Horizontal	Pass
5.0MHz Band QPSK	1/#Mid	2498.5	1.30	4.54	27.75	24.51	282.31	Vertical	Pass
		2593	1.06	4.69	27.72	24.09	256.46	Vertical	Pass
		2687.5	0.92	4.71	27.71	23.92	246.82	Vertical	Pass
10.0MHz z Band QPSK	1/#Mid	2685	0.97	4.55	27.76	24.18	261.56	Vertical	Pass
		2593	1.01	4.69	27.72	24.04	253.49	Vertical	Pass
		2501	1.52	4.72	27.7	24.50	282.12	Vertical	Pass
15.0MHz z Band QPSK	1/#Mid	2503.5	1.38	4.55	27.77	24.60	288.34	Vertical	Pass
		2593	1.09	4.69	27.72	24.12	258.46	Vertical	Pass
		2682.5	1.16	4.72	27.69	24.13	258.81	Vertical	Pass
20.0MHz z Band QPSK	1/#Mid	2506	0.99	4.57	27.78	24.20	262.85	Vertical	Pass
		2593	1.34	4.73	27.72	24.33	270.77	Vertical	Pass
		2680	1.72	4.75	27.68	24.65	291.76	Vertical	Pass

Radiated Power (EIRP) for Band 41									
Mode	RB/RB SIZE	Frequency	Result						Conclusion
			SG Level (dBm)	Cable Loss (dBm)	Antenna Gain (dB)	Max. EIRP Average (dBm)	Max. EIRP Average (mW)	Polarization Of Max. ERP	
5.0MHz Band 16 QAM	1/#Mid	2498.5	0.90	4.54	27.75	24.11	257.37	Horizontal	Pass
		2593	0.52	4.69	27.72	23.55	226.47	Horizontal	Pass
		2687.5	1.15	4.71	27.71	24.15	259.79	Horizontal	Pass
10.0MHz Band 16 QAM	1/#Mid	2685	0.64	4.55	27.76	23.85	242.48	Horizontal	Pass
		2593	1.25	4.69	27.72	24.28	267.73	Horizontal	Pass
		2501	1.01	4.72	27.7	23.99	250.87	Horizontal	Pass
15.0MHz Band 16 QAM	1/#Mid	2503.5	1.38	4.55	27.77	24.60	288.14	Horizontal	Pass
		2593	0.97	4.69	27.72	24.00	251.37	Horizontal	Pass
		2682.5	0.76	4.72	27.69	23.73	235.98	Horizontal	Pass
20.0MHz Band 16 QAM	1/#Mid	2506	0.68	4.57	27.78	23.89	245.13	Horizontal	Pass
		2593	1.14	4.73	27.72	24.13	259.01	Horizontal	Pass
		2680	1.28	4.75	27.68	24.21	263.50	Horizontal	Pass
5.0MHz Band 16 QAM	1/#Mid	2498.5	1.26	4.54	27.75	24.47	279.72	Vertical	Pass
		2593	1.02	4.69	27.72	24.05	254.13	Vertical	Pass
		2687.5	0.88	4.71	27.71	23.88	244.56	Vertical	Pass
10.0MHz Band 16 QAM	1/#Mid	2685	0.93	4.55	27.76	24.14	259.13	Vertical	Pass
		2593	0.97	4.69	27.72	24.00	251.18	Vertical	Pass
		2501	1.48	4.72	27.7	24.46	279.51	Vertical	Pass
15.0MHz Band 16 QAM	1/#Mid	2503.5	1.34	4.55	27.77	24.56	285.65	Vertical	Pass
		2593	1.05	4.69	27.72	24.08	256.10	Vertical	Pass
		2682.5	1.12	4.72	27.69	24.09	256.46	Vertical	Pass
20.0MHz Band 16 QAM	1/#Mid	2506	0.95	4.57	27.78	24.16	260.41	Vertical	Pass
		2593	1.30	4.73	27.72	24.29	268.28	Vertical	Pass
		2680	1.68	4.75	27.68	24.61	289.08	Vertical	Pass

Note:

ERP=EIRP-2.15

SG Level= Signal generator output

Max. EIRP Average (dBm)= Antenna Gain(dB)+ SG Level (dBm)- Cable Loss(dBm)

8.7 LTE BAND 66

Radiated Power (EIRP) for Band 66									
Mode	RB/RB SIZE	Frequency	Result						Conclusion
			SG Level (dBm)	Cable Loss (dBm)	Antenna Gain (dB)	Max. EIRP Average (dBm)	Max. EIRP Average (mW)	Polarization Of Max. ERP	
1.4MHz Band QPSK	1/#Mid	1710.7	-2.34	3.76	28.24	24.14	259.45	Horizontal	Pass
		1745	-2.03	3.91	28.22	24.28	267.96	Horizontal	Pass
		1779.3	-2.39	3.93	28.2	23.88	244.36	Horizontal	Pass
3.0MHz Band QPSK	1/#Mid	1711.5	-2.86	3.77	28.23	23.60	229.09	Horizontal	Pass
		1745	-2.67	3.91	28.24	23.66	232.31	Horizontal	Pass
		1778.5	-2.4	3.94	28.25	23.91	246.09	Horizontal	Pass
5.0MHz Band QPSK	1/#Mid	1712.5	-2.44	3.77	28.31	24.10	257.08	Horizontal	Pass
		1745	-2.82	3.91	28.22	23.49	223.39	Horizontal	Pass
		1777.5	-2.26	3.94	28.2	24.00	251.24	Horizontal	Pass
10.0MHz Band QPSK	1/#Mid	1715	-2.4	3.79	28.33	24.14	259.42	Horizontal	Pass
		1745	-1.9	3.95	28.22	24.37	273.56	Horizontal	Pass
		1775	-2.08	3.97	28.19	24.14	259.47	Horizontal	Pass
15.0MHz Band QPSK	1/#Mid	1717.5	-2.72	3.79	28.34	23.83	241.56	Horizontal	Pass
		1745	-1.96	3.95	28.22	24.31	269.82	Horizontal	Pass
		1772.5	-2.62	3.97	28.18	23.59	228.57	Horizontal	Pass
20.0MHz Band QPSK	1/#Mid	1720	-2.9	3.81	28.35	23.64	231.24	Horizontal	Pass
		1745	-2.59	3.96	28.22	23.67	232.83	Horizontal	Pass
		1770	-2.6	4.00	28.16	23.56	227.00	Horizontal	Pass
1.4MHz Band QPSK	1/#Mid	1710.7	-2.74	3.76	28.24	23.74	236.60	Vertical	Pass
		1745	-2.97	3.91	28.22	23.34	215.79	Vertical	Pass
		1779.3	-2.91	3.93	28.2	23.36	216.77	Vertical	Pass
3.0MHz Band QPSK	1/#Mid	1711.5	-2.31	3.77	28.23	24.15	260.05	Vertical	Pass
		1745	-2.48	3.91	28.24	23.85	242.69	Vertical	Pass
		1778.5	-2.03	3.94	28.25	24.28	267.94	Vertical	Pass
5.0MHz Band QPSK	1/#Mid	1712.5	-2.35	3.77	28.31	24.19	262.46	Vertical	Pass
		1745	-2.42	3.91	28.22	23.89	244.95	Vertical	Pass
		1777.5	-2.7	3.94	28.2	23.56	227.02	Vertical	Pass
10.0MHz Band QPSK	1/#Mid	1715	-2.25	3.79	28.34	24.30	269.21	Vertical	Pass
		1745	-2.49	3.95	28.22	23.78	238.82	Vertical	Pass
		1775	-1.72	3.97	28.18	24.49	281.20	Vertical	Pass
15.0MHz		1717.5	-3.03	3.81	28.35	23.51	224.41	Vertical	Pass

z Band QPSK	1/#Mid	1745	-2.54	3.96	28.22	23.72	235.53	Vertical	Pass
		1772.5	-1.58	4.00	28.16	24.58	287.14	Vertical	Pass
20.0MH	1/#Mid	1720	-2.25	3.79	28.34	24.32	270.40	Vertical	Pass
z Band		1745	-2.49	3.95	28.22	23.78	238.81	Vertical	Pass
QPSK		1770	-1.72	3.97	28.18	24.59	287.74	Vertical	Pass

Radiated Power (EIRP) for Band 66									
Mode	RB/RB SIZE	Frequency	Result						Concl usion
			SG Level (dBm)	Cable Loss (dBm)	Antenna Gain (dB)	Max. EIRP Average (dBm)	Max. EIRP Average (mW)	Polarization Of Max. ERP	
1.4MHz Band 16 QAM	1/#Mid	1710.7	-3.6	3.76	28.24	22.88	194.11	Horizontal	Pass
		1745	-2.73	3.91	28.22	23.58	228.08	Horizontal	Pass
		1779.3	-2.97	3.93	28.2	23.30	213.81	Horizontal	Pass
3.0MHz Band 16 QAM	1/#Mid	1711.5	-3.32	3.77	28.23	23.14	206.11	Horizontal	Pass
		1745	-3.41	3.91	28.24	22.92	195.92	Horizontal	Pass
		1778.5	-2.91	3.94	28.25	23.40	218.79	Horizontal	Pass
5.0MHz Band 16 QAM	1/#Mid	1712.5	-3.16	3.77	28.31	23.38	217.79	Horizontal	Pass
		1745	-2.6	3.91	28.22	23.71	235.02	Horizontal	Pass
		1777.5	-2.76	3.94	28.2	23.50	223.88	Horizontal	Pass
10.0MHz Band 16 QAM	1/#Mid	1715	-3.28	3.79	28.33	23.26	211.88	Horizontal	Pass
		1745	-3.14	3.95	28.22	23.13	205.61	Horizontal	Pass
		1775	-3.08	3.97	28.19	23.14	206.08	Horizontal	Pass
15.0MHz Band 16 QAM	1/#Mid	1717.5	-3.72	3.79	28.34	22.83	191.89	Horizontal	Pass
		1745	-3.08	3.95	28.22	23.19	208.48	Horizontal	Pass
		1772.5	-3.3	3.97	28.18	22.91	195.44	Horizontal	Pass
20.0MHz Band 16 QAM	1/#Mid	1720	-2.71	3.81	28.35	23.83	241.57	Horizontal	Pass
		1745	-2.94	3.96	28.22	23.32	214.80	Horizontal	Pass
		1770	-3.08	4	28.16	23.08	203.24	Horizontal	Pass
1.4MHz Band 16 QAM	1/#Mid	1710.7	-3.18	3.76	28.24	23.30	213.81	Vertical	Pass
		1745	-2.98	3.91	28.22	23.33	215.33	Vertical	Pass
		1779.3	-2.53	3.93	28.2	23.74	236.59	Vertical	Pass
3.0MHz Band 16 QAM	1/#Mid	1711.5	-2.94	3.77	28.23	23.52	224.94	Vertical	Pass
		1745	-2.87	3.91	28.24	23.46	221.83	Vertical	Pass
		1778.5	-3.16	3.94	28.25	23.15	206.55	Vertical	Pass
5.0MHz Band 16 QAM	1/#Mid	1712.5	-3.34	3.77	28.31	23.20	208.98	Vertical	Pass
		1745	-2.88	3.91	28.22	23.43	220.33	Vertical	Pass
		1777.5	-2.49	3.94	28.2	23.77	238.27	Vertical	Pass
10.0MHz Band 16 QAM	1/#Mid	1715	-3.82	3.79	28.33	22.72	187.09	Vertical	Pass
		1745	-2.57	3.95	28.22	23.70	234.47	Vertical	Pass
		1775	-3.6	3.97	28.19	22.62	182.82	Vertical	Pass
15.0MHz Band 16	1/#Mid	1717.5	-3.52	3.79	28.34	23.03	200.93	Vertical	Pass
		1745	-3.48	3.95	28.22	22.79	190.14	Vertical	Pass

QAM		1772.5	-3.4	3.97	28.18	22.81	191.03	Vertical	Pass
20.0MHz	1/#Mid	1720	-2.95	3.81	28.35	23.59	228.60	Vertical	Pass
Band 16		1745	-2.42	3.96	28.22	23.84	242.16	Vertical	Pass
QAM		1770	-2.51	4	28.16	23.65	231.77	Vertical	Pass

Note:

SG Level= Signal generator output

Max. EIRP Average (dBm)= Antenna Gain(dB)+ SG Level (dBm)- Cable Loss(dBm)

9. SPURIOUS RADIATION EMISSION

RULE PART(S)

FCC: §2.1051, §22.917(a), §24.238(a), §27.53 (c)(g)(h)(m),

LIMIT

For Band 7, the minimum permissible attenuation level of any spurious emission is $55 + \log_{10}(P)$ [Watts].

The minimum permissible attenuation level of any spurious emission is $43 + \log_{10}(P)$ [Watts], where P is the transmitter power in Watts.

TEST PROCEDURE

For Cellular equipment - Compliance with these rules is based on the use of measurement instrumentation employing a resolution bandwidth of 100 kHz or greater. In the 1 MHz bands immediately outside and adjacent to the frequency block a resolution bandwidth of at least one percent of the emission bandwidth of the fundamental emission of the transmitter may be employed. A narrower resolution bandwidth is permitted in all cases to improve measurement accuracy provided the measured power is integrated over the full required measurement bandwidth (i.e. 100 kHz or 1 percent of emission bandwidth, as specified). The emission bandwidth is defined as the width of the signal between two points, one below the carrier center frequency and one above the carrier center frequency, outside of which all emissions are attenuated at least 26 dB below the transmitter power.

For PCS equipment - Compliance with these rules is based on the use of measurement instrumentation employing a resolution bandwidth of 1 MHz or greater. However, in the 1 MHz bands immediately outside and adjacent to the frequency block a resolution bandwidth of at least one percent of the emission bandwidth of the fundamental emission of the transmitter may be employed. A narrower resolution bandwidth is permitted in all cases to improve measurement accuracy provided the measured power is integrated over the full required measurement bandwidth (i.e. 1 MHz or 1 percent of emission bandwidth, as specified). The emission bandwidth is defined as the width of the signal between two points, one below the carrier center frequency and one above the carrier center frequency, outside of which all emissions are attenuated at least 26 dB below the transmitter power.

The unwanted emission power shall be measured with a resolution bandwidth of at least 1% of the occupied bandwidth in the 1 MHz band immediately outside and adjacent to the channel edge of the equipment. Beyond the 1 MHz band immediately outside the channel edge of the equipment, a resolution bandwidth of 1 MHz shall be employed. A narrower resolution bandwidth is allowed to be used provided that the measured power is integrated over the full required measurement bandwidth of 1 MHz or 1% of the occupied bandwidth as applicable.

The power of any unwanted emissions measured from the channel edge of the equipment shall be attenuated below the transmitter power, P (dBW), as follows:

- a. for base station and subscriber equipment, other than mobile subscriber equipment, the attenuation shall not be less than $43 + 10 \text{ Log}_{10}(p)$, dB; and
- b. for mobile subscriber equipment, the attenuation shall not be less than $43 + 10 \text{ Log}_{10}(p)$, dB at the channel edges and $55 + 10 \text{ Log}_{10}(p)$ at 5.5 MHz away and beyond the channel edges where p in (a) and (b) is the transmitter power measured in watts.

MODES TESTED

- LTE Band 2
- LTE Band 4
- LTE Band 5
- LTE Band 12
- LTE Band 13
- LTE Band 17
- LTE Band 25
- LTE Band 26
- LTE Band 41
- LTE Band 66

RESULTS

PASS

9.1 LTE BAND 2

QPSK EIRP POWER FOR LTE BAND 2 (1.4MHZ BANDWIDTH)

Test Results for Low Channel 1850.7MHz							
Frequency(MHz)	SG Level(dBm)	Cable Loss(dB)	Antenna Gain(dB)	Absolute Level(dBm)	Limit (dBm)	Margin(dBm)	Polarity
3701.4	-50.80	4.04	33.51	-21.33	-13	-8.33	Horizontal
3701.4	-51.89	4.04	33.51	-22.42	-13	-9.42	Vertical
5552.1	-55.36	5.24	35.84	-24.76	-13	-11.76	Vertical
5552.1	-65.75	5.24	35.84	-35.15	-13	-22.15	Horizontal
Test Results for Mid Channel 1880MHz							
3760	-52.41	4.04	33.56	-22.89	-13	-9.89	Horizontal
3760	-53.73	4.04	33.56	-24.21	-13	-11.21	Vertical
5640	-52.65	5.24	35.91	-21.98	-13	-8.98	Vertical
5640	-54.59	5.24	35.91	-23.92	-13	-10.92	Horizontal
Test Results for High Channel 1909.3MHz							
3818.6	-52.45	4.04	34.00	-22.49	-13	-9.49	Horizontal
3818.6	-53.96	4.04	34.00	-24.00	-13	-11.00	Vertical
5727.9	-57.35	5.24	36.04	-26.55	-13	-13.55	Vertical
5727.9	-55.49	5.24	36.04	-24.69	-13	-11.69	Horizontal

QPSK EIRP POWER FOR LTE BAND 2 (20.0MHZ BANDWIDTH)

Test Results for Low Channel 1860MHz							
Frequency(MHz)	SG Level(dBm)	Cable Loss(dB)	Antenna Gain(dB)	Absolute Level(dBm)	Limit (dBm)	Margin(dBm)	Polarity
3720	-55.45	4.07	33.54	-25.98	-13	-12.98	Horizontal
3720	-50.08	4.07	33.54	-20.61	-13	-7.61	Vertical
5580	-57.43	5.28	35.86	-26.85	-13	-13.85	Vertical
5580	-59.69	5.28	35.86	-29.11	-13	-16.11	Horizontal
Test Results for Mid Channel 1880MHz							
3760	-55.25	4.04	33.56	-25.73	-13	-12.73	Horizontal
3760	-51.62	4.04	33.56	-22.10	-13	-9.10	Vertical
5640	-55.75	5.24	35.91	-25.08	-13	-12.08	Vertical
5640	-57.45	5.24	35.91	-26.78	-13	-13.78	Horizontal
Test Results for High Channel 1900MHz							
3800	-53.56	4.04	34.00	-23.60	-13	-10.60	Horizontal
3800	-55.75	4.04	34.00	-25.79	-13	-12.79	Vertical
5700	-56.19	5.24	36.04	-25.39	-13	-12.39	Vertical
5700	-55.99	5.24	36.04	-25.19	-13	-12.19	Horizontal

Note: $P_{Mea}(dBm) = Power(dBm) + ARpl(dBm)$

. Over Limit = $P_{Mea}(dBm) - Limit(dBm)$

. Both QPSK and 16QAM has been tested, the worst case is QPSK mode, the report just reported the worst case.

9.2 LTE BAND 4

QPSK EIRP POWER FOR LTE BAND 4 (1.4MHZ BANDWIDTH)

Test Results for Low Channel 1710.7MHz							
Frequency(MHz)	SG Level(dBm)	Cable Loss(dB)	Antenna Gain(dB)	Absolute Level(dBm)	Limit (dBm)	Margin(dBm)	Polarity
3421.4	-57.97	4.02	29.80	-32.19	-13	-19.19	Horizontal
3421.4	-56.28	4.02	29.80	-30.50	-13	-17.50	Vertical
5132.1	-59.63	5.24	35.84	-29.03	-13	-16.03	Vertical
5132.1	-62.33	5.24	35.84	-31.73	-13	-18.73	Horizontal
Test Results for Mid Channel 1732.5MHz							
3465	-49.57	4.03	30.00	-23.60	-13	-10.60	Horizontal
3465	-53.38	4.03	30.00	-27.41	-13	-14.41	Vertical
5197.5	-56.91	5.25	35.86	-26.30	-13	-13.30	Vertical
5197.5	-55.36	5.25	35.86	-24.75	-13	-11.75	Horizontal
Test Results for High Channel 1754.3MHz							
3508.6	-49.97	4.05	30.01	-24.01	-13	-11.01	Horizontal
3508.6	-57.16	4.05	30.01	-31.20	-13	-18.20	Vertical
5262.9	-56.50	5.26	35.86	-25.90	-13	-12.90	Vertical
5262.9	-54.51	5.26	35.86	-23.91	-13	-10.91	Horizontal

QPSK EIRP POWER FOR LTE BAND 4 (20.0MHZ BANDWIDTH)

Test Results for Low Channel 1720MHz							
Frequency(MHz)	SG Level(dBm)	Cable Loss(dB)	Antenna Gain(dB)	Absolute Level(dBm)	Limit (dBm)	Margin(dBm)	Polarity
3440	-54.89	4.02	29.80	-29.11	-13	-16.11	Horizontal
3440	-57.39	4.02	29.80	-31.61	-13	-18.61	Vertical
5160	-59.11	5.24	35.84	-28.51	-13	-15.51	Vertical
5160	-61.00	5.24	35.84	-30.40	-13	-17.40	Horizontal
Test Results for Mid Channel 1732.5MHz							
3465	-49.56	4.03	30.00	-23.59	-13	-10.59	Horizontal
3465	-52.95	4.03	30.00	-26.98	-13	-13.98	Vertical
5197.5	-59.45	5.25	35.86	-28.84	-13	-15.84	Vertical
5197.5	-57.35	5.25	35.86	-26.74	-13	-13.74	Horizontal
Test Results for High Channel 1745MHz							
2490	-52.89	2.91	27.68	-28.12	-13	-15.12	Horizontal
3490	-54.50	2.91	27.68	-29.73	-13	-16.73	Vertical
5235	-57.29	5.26	35.86	-26.69	-13	-13.69	Vertical
5235	-56.40	5.26	35.86	-25.80	-13	-12.80	Horizontal

Note: P_{Mea}(dBm)= Power(dBm)+ AR_{pl} (dBm)

. Over Limit= : P_{Mea}(dBm)-Limit(dBm)

. Both QPSK and 16QAM has been tested, the worst case is QPSK mode, the report just reported the worst case.

9.3 LTE BAND 5

QPSK EIRP POWER FOR LTE BAND 5 (1.4MHZ BANDWIDTH)

Test Results for Low Channel 824.7MHz							
Frequency(MHz)	SG Level(dBm)	Cable Loss(dB)	Antenna Gain(dB)	Absolute Level(dBm)	Limit (dBm)	Margin(dBm)	Polarity
1649.4	-49.67	2.78	27.50	-24.95	-13	-11.95	Horizontal
1649.4	-54.92	2.78	27.50	-30.20	-13	-17.20	Vertical
2474.1	-53.20	2.90	27.80	-28.30	-13	-15.30	Vertical
2474.1	-52.11	2.90	27.80	-27.21	-13	-14.21	Horizontal
Test Results For Mid Channel 836.5MHz							
1673	-51.07	2.78	27.48	-26.37	-13	-13.37	Horizontal
1673	-48.67	2.78	27.48	-23.97	-13	-10.97	Vertical
2509.5	-51.11	2.91	27.70	-26.32	-13	-13.32	Vertical
2509.5	-49.89	2.91	27.70	-25.10	-13	-12.10	Horizontal
Test Results for High Channel 848.3MHz							
1696.6	-51.56	2.78	27.43	-26.91	-13	-13.91	Horizontal
1696.6	-51.65	2.78	27.43	-27.00	-13	-14.00	Vertical
2544.9	-49.63	2.92	27.74	-24.81	-13	-11.81	Vertical
2544.9	-50.60	2.92	27.74	-25.78	-13	-12.78	Horizontal

QPSK EIRP POWER FOR LTE BAND 5 (10MHZ BANDWIDTH)

Test Results for Low Channel 829MHz							
Frequency(MHz)	SG Level(dBm)	Cable Loss(dB)	Antenna Gain(dB)	Absolute Level(dBm)	Limit (dBm)	Margin(dBm)	Polarity
1658	-51.39	2.78	27.50	-26.67	-13	-13.67	Horizontal
1658	-49.17	2.78	27.50	-24.45	-13	-11.45	Vertical
2487	-54.17	2.90	27.80	-29.27	-13	-16.27	Vertical
2487	-51.92	2.90	27.80	-27.02	-13	-14.02	Horizontal
Test Results For Mid Channel 836.5MHz							
1673	-50.74	2.78	27.48	-26.04	-13	-13.04	Horizontal
1673	-50.64	2.78	27.48	-25.94	-13	-12.94	Vertical
2509.5	-55.27	2.91	27.70	-30.48	-13	-17.48	Vertical
2509.5	-51.33	2.91	27.70	-26.54	-13	-13.54	Horizontal
Test Results for High Channel 844MHz							
1688	-53.88	2.78	27.43	-29.23	-13	-16.23	Horizontal
1688	-48.11	2.78	27.43	-23.46	-13	-10.46	Vertical
2532	-48.40	2.92	27.74	-23.58	-13	-10.58	Vertical
2532	-50.14	2.92	27.74	-25.32	-13	-12.32	Horizontal

Note: $P_{Mea}(dBm) = Power(dBm) + ARpl(dBm)$

. Over Limit = $P_{Mea}(dBm) - Limit(dBm)$

. Both QPSK and 16QAM has been tested, the worst case is QPSK mode, the report just reported the worst case.

9.5 LTE BAND 12

QPSK EIRP POWER FOR LTE BAND 12 (1.4MHZ BANDWIDTH)

Test Results for Low Channel 699.7MHz							
Frequency(MHz)	SG Level(dBm)	Cable Loss(dB)	Antenna Gain(dB)	Absolute Level(dBm)	Limit (dBm)	Margin(dBm)	Polarity
1399.4	-48.18	2.60	27.2	-23.58	-13	-10.58	Horizontal
1399.4	-48.91	2.60	27.2	-24.31	-13	-11.31	Vertical
2099.1	-48.78	2.85	27.54	-24.09	-13	-11.09	Vertical
2099.1	-48.53	2.85	27.54	-23.84	-13	-10.84	Horizontal
Test Results For Mid Channel 707.5MHz							
1415	-50.36	2.61	27.28	-25.69	-13	-12.69	Horizontal
1415	-48.84	2.61	27.28	-24.17	-13	-11.17	Vertical
2122.5	-46.73	2.87	27.59	-22.01	-13	-9.01	Vertical
2122.5	-52.50	2.87	27.59	-27.78	-13	-14.78	Horizontal
Test Results for High Channel 715.3MHz							
1430.6	-49.68	2.63	27.28	-25.03	-13	-12.03	Horizontal
1430.6	-54.85	2.63	27.28	-30.20	-13	-17.20	Vertical
2145.9	-52.35	2.88	27.60	-27.63	-13	-14.63	Vertical
2145.9	-50.34	2.88	27.60	-25.62	-13	-12.62	Horizontal

QPSK EIRP POWER FOR LTE BAND 12 (10MHZ BANDWIDTH)

Test Results for Low Channel 704MHz							
Frequency(MHz)	SG Level(dBm)	Cable Loss(dB)	Antenna Gain(dB)	Absolute Level(dBm)	Limit (dBm)	Margin(dBm)	Polarity
1408	-47.37	2.61	27.26	-22.72	-13	-9.72	Horizontal
1408	-52.36	2.61	27.26	-27.71	-13	-14.71	Vertical
2112	-50.98	2.87	27.58	-26.27	-13	-13.27	Vertical
2112	-51.87	2.87	27.58	-27.16	-13	-14.16	Horizontal
Test Results for Mid Channel 707.5MHz							
1415	-50.77	2.61	27.28	-26.10	-13	-13.10	Horizontal
1415	-54.07	2.61	27.28	-29.40	-13	-16.40	Vertical
2122.5	-52.37	2.87	27.59	-27.65	-13	-14.65	Vertical
2122.5	-50.67	2.87	27.59	-25.95	-13	-12.95	Horizontal
Test Results for High Channel 711MHz							
1422	-53.31	2.62	27.28	-28.65	-13	-15.65	Horizontal
1422	-48.35	2.62	27.28	-23.69	-13	-10.69	Vertical
2133	-52.62	2.87	27.60	-27.89	-13	-14.89	Vertical
2133	-51.78	2.87	27.60	-27.05	-13	-14.05	Horizontal

Note: P_{Mea}(dBm)= Power(dBm)+ AR_{pl} (dBm)

. Over Limit= : P_{Mea}(dBm)-Limit(dBm)

. Both QPSK and 16QAM has been tested, the worst case is QPSK mode, the report just reported the worst case.

9.6 LTE BAND 13

QPSK EIRP POWER FOR LTE BAND 13 (5MHZ BANDWIDTH)

Test Results for Low Channel 779.5MHz							
Frequency(MHz)	SG Level(dBm)	Cable Loss(dB)	Antenna Gain(dB)	Absolute Level(dBm)	Limit (dBm)	Margin(dBm)	Polarity
1559	-49.31	2.61	27.28	-24.64	-13	-11.64	Horizontal
1559	-47.60	2.61	27.28	-22.93	-13	-9.93	Vertical
2338.5	-50.03	2.87	27.59	-25.31	-13	-12.31	Vertical
2338.5	-48.11	2.87	27.59	-23.39	-13	-10.39	Horizontal
Test Results For Mid Channel 782MHz							
1564	-48.27	2.62	27.30	-23.59	-13	-10.59	Horizontal
1564	-49.51	2.62	27.30	-24.83	-13	-11.83	Vertical
2346	-51.67	2.87	27.62	-26.92	-13	-13.92	Vertical
2346	-53.53	2.87	27.62	-28.78	-13	-15.78	Horizontal
Test Results for High Channel 784.5MHz							
1569	-53.06	2.66	27.28	-28.44	-13	-15.44	Horizontal
1569	-50.83	2.66	27.28	-26.21	-13	-13.21	Vertical
2353.5	-49.47	2.88	27.60	-24.75	-13	-11.75	Vertical
2353.5	-47.98	2.88	27.60	-23.26	-13	-10.26	Horizontal

QPSK EIRP POWER FOR LTE BAND 13 (10MHZ BANDWIDTH)

Test Results for Low Channel 782MHz							
Frequency(MHz)	SG Level(dBm)	Cable Loss(dB)	Antenna Gain(dB)	Absolute Level(dBm)	Limit (dBm)	Margin(dBm)	Polarity
1564	-52.04	2.62	27.30	-27.36	-13	-14.36	Horizontal
1564	-48.78	2.62	27.30	-24.10	-13	-11.10	Vertical
2346	-50.66	2.87	27.62	-25.91	-13	-12.91	Vertical
2346	-53.97	2.87	27.62	-29.22	-13	-16.22	Horizontal

Note: P_{Mea}(dBm)= Power(dBm)+ AR_{pl} (dBm)

. Over Limit= : P_{Mea}(dBm)-Limit(dBm)

. Both QPSK and 16QAM has been tested, the worst case is QPSK mode, the report just reported the worst case.

9.7 LTE BAND 17

QPSK EIRP POWER FOR LTE BAND 17 (5MHZ BANDWIDTH)

Test Results for Low Channel 706.5MHz							
Frequency(MHz)	SG Level(dBm)	Cable Loss(dB)	Antenna Gain(dB)	Absolute Level(dBm)	Limit (dBm)	Margin(dBm)	Polarity
1413	-54.31	2.61	27.28	-29.64	-13	-16.64	Horizontal
1413	-51.07	2.61	27.28	-26.40	-13	-13.40	Vertical
2119.5	-52.40	2.87	27.59	-27.68	-13	-14.68	Vertical
2119.5	-53.61	2.87	27.59	-28.89	-13	-15.89	Horizontal
Test Results For Mid Channel 710MHz							
1420	-52.90	2.62	27.30	-28.22	-13	-15.22	Horizontal
1420	-50.89	2.62	27.30	-26.21	-13	-13.21	Vertical
2130	-53.55	2.87	27.62	-28.80	-13	-15.80	Vertical
2130	-51.90	2.87	27.62	-27.15	-13	-14.15	Horizontal
Test Results for High Channel 713.5MHz							
1427	-49.53	2.66	27.28	-24.91	-13	-11.91	Horizontal
1427	-50.65	2.66	27.28	-26.03	-13	-13.03	Vertical
2140.5	-52.45	2.88	27.60	-27.73	-13	-14.73	Vertical
2140.5	-54.30	2.88	27.60	-29.58	-13	-16.58	Horizontal

QPSK EIRP POWER FOR LTE BAND 17 (10MHZ BANDWIDTH)

Test Results for Low Channel 709MHz							
Frequency(MHz)	SG Level(dBm)	Cable Loss(dB)	Antenna Gain(dB)	Absolute Level(dBm)	Limit (dBm)	Margin(dBm)	Polarity
1418	-54.37	2.62	27.30	-29.69	-13	-16.69	Horizontal
1418	-51.47	2.62	27.30	-26.79	-13	-13.79	Vertical
2127	-53.01	2.87	27.62	-28.26	-13	-15.26	Vertical
2127	-54.15	2.87	27.62	-29.40	-13	-16.40	Horizontal
Test Results for Mid Channel 710MHz							
1420	-52.96	2.62	27.30	-28.28	-13	-15.28	Horizontal
1420	-50.98	2.62	27.30	-26.30	-13	-13.30	Vertical
2130	-53.98	2.87	27.62	-29.23	-13	-16.23	Vertical
2130	-52.18	2.87	27.62	-27.43	-13	-14.43	Horizontal
Test Results for High Channel 711MHz							
1422	-50.52	2.62	27.30	-25.84	-13	-12.84	Horizontal
1422	-51.00	2.62	27.30	-26.32	-13	-13.32	Vertical
2133	-53.13	2.87	27.62	-28.38	-13	-15.38	Vertical
2133	-54.83	2.87	27.62	-30.08	-13	-17.08	Horizontal

Note: $P_{Mea}(dBm) = Power(dBm) + ARpl (dBm)$

. Over Limit = $P_{Mea}(dBm) - Limit(dBm)$

. Both QPSK and 16QAM has been tested, the worst case is QPSK mode, the report just reported the worst case.

9.8 LTE BAND 25
 LTE BAND 25 (1.4MHZ BANDWIDTH)
 QPSK EIRP POWER FOR LTE BAND 25 (1.4MHZ BANDWIDTH)

Test Results for Low Channel 1850.7MHz							
Frequency(MHz)	SG Level(dBm)	Cable Loss(dB)	Antenna Gain(dB)	Absolute Level(dBm)	Limit (dBm)	Margin(dBm)	Polarity
3701.4	-51.58	2.61	27.26	-26.93	-13	-13.93	Horizontal
3701.4	-51.75	2.61	27.26	-27.10	-13	-14.10	Vertical
5552.1	-54.43	2.87	27.58	-29.72	-13	-16.72	Vertical
5552.1	-52.40	2.87	27.58	-27.69	-13	-14.69	Horizontal
Test Results For Mid Channel 1882.5MHz							
3765	-50.11	2.63	27.28	-25.46	-13	-12.46	Horizontal
3765	-52.80	2.63	27.28	-28.15	-13	-15.15	Vertical
5647.5	-50.33	2.88	27.62	-25.59	-13	-12.59	Vertical
5647.5	-51.90	2.88	27.62	-27.16	-13	-14.16	Horizontal
Test Results for High Channel 1914.3MHz							
3828.6	-53.71	2.65	27.28	-29.08	-13	-16.08	Horizontal
3828.6	-53.81	2.65	27.28	-29.18	-13	-16.18	Vertical
5742.9	-52.37	2.88	27.70	-27.55	-13	-14.55	Vertical
5742.9	-52.10	2.88	27.70	-27.28	-13	-14.28	Horizontal

LTE BAND 25 (20MHZ BANDWIDTH)

QPSK EIRP POWER FOR LTE BAND 25 (20MHZ BANDWIDTH)

Test Results for Low Channel 1860MHz							
Frequency(MHz)	SG Level(dBm)	Cable Loss(dB)	Antenna Gain(dB)	Absolute Level(dBm)	Limit (dBm)	Margin(dBm)	Polarity
3720	-53.23	2.62	27.30	-28.55	-13	-15.55	Horizontal
3720	-53.48	2.62	27.30	-28.80	-13	-15.80	Vertical
5580	-53.81	2.87	27.62	-29.06	-13	-16.06	Vertical
5580	-51.97	2.87	27.62	-27.22	-13	-14.22	Horizontal
Test Results for Mid Channel 1882.5MHz							
3765	-54.70	2.64	27.33	-30.01	-13	-17.01	Horizontal
3765	-53.23	2.64	27.33	-28.54	-13	-15.54	Vertical
5647.5	-54.28	2.88	27.67	-29.49	-13	-16.49	Vertical
5647.5	-53.01	2.88	27.67	-28.22	-13	-15.22	Horizontal
Test Results for High Channel 1905MHz							
3810	-50.24	2.64	27.33	-25.55	-13	-12.55	Horizontal
3810	-54.00	2.64	27.33	-29.31	-13	-16.31	Vertical
5715	-52.61	2.88	27.67	-27.82	-13	-14.82	Vertical
5715	-52.09	2.88	27.67	-27.30	-13	-14.30	Horizontal

9.9 LTE BAND 26

For 814~824MHz

QPSK EIRP POWER FOR LTE BAND 26 (1.4MHZ BANDWIDTH)

Test Results for Low Channel 814.7MHz							
Frequency(MHz)	SG Level(dBm)	Cable Loss(dB)	Antenna Gain(dB)	Absolute Level(dBm)	Limit (dBm)	Margin(dBm)	Polarity
1629.4	-49.02	2.78	27.5	-24.30	-13	-11.30	Horizontal
1629.4	-52.01	2.78	27.5	-27.29	-13	-14.29	Vertical
2444.1	-53.46	2.9	27.8	-28.56	-13	-15.56	Vertical
2444.1	-63.82	2.9	27.8	-38.92	-13	-25.92	Horizontal
Test Results For Mid Channel 819.0MHz							
1638	-50.60	2.8	27.48	-25.92	-13	-12.92	Horizontal
1638	-53.12	2.8	27.48	-28.44	-13	-15.44	Vertical
2457.5	-53.24	2.91	27.7	-28.45	-13	-15.45	Vertical
2457.5	-55.06	2.91	27.7	-30.27	-13	-17.27	Horizontal
Test Results for High Channel 821.5MHz							
1646.6	-51.02	2.82	27.43	-26.41	-13	-13.41	Horizontal
1646.6	-54.79	2.82	27.43	-30.18	-13	-17.18	Vertical
2469.9	-55.30	2.92	27.74	-30.48	-13	-17.48	Vertical
2469.9	-55.51	2.92	27.74	-30.69	-13	-17.69	Horizontal

QPSK EIRP POWER FOR LTE BAND 26 (10MHZ BANDWIDTH)

Test Results for Low Channel 819MHz							
Frequency(MHz)	SG Level(dBm)	Cable Loss(dB)	Antenna Gain(dB)	Absolute Level(dBm)	Limit (dBm)	Margin(dBm)	Polarity
1638	-52.24	2.82	27.43	-27.63	-13	-14.63	Horizontal
1638	-54.09	2.82	27.43	-29.48	-13	-16.48	Vertical
2457.5	-55.78	2.91	27.74	-30.95	-13	-17.95	Vertical
2457.5	-53.83	2.91	27.74	-29.00	-13	-16.00	Horizontal

Note: P_{Mea}(dBm)= Power(dBm)+ AR_{pl} (dBm)

. Over Limit= : P_{Mea}(dBm)-Limit(dBm)

. We test both H direction and V direction, recorded worst case direction.

Both QPSK and 16QAM has been tested, the worst case is QPSK mode, the report just reported the worst case.

For 824~849MHz

QPSK EIRP POWER FOR LTE BAND 26 (1.4MHZ BANDWIDTH)

Test Results for Low Channel 824.7MHz							
Frequency(MHz)	SG Level(dBm)	Cable Loss(dB)	Antenna Gain(dB)	Absolute Level(dBm)	Limit (dBm)	Margin(dBm)	Polarity
1649.4	-56.03	2.78	27.28	-31.53	-13	-18.53	Horizontal
1649.4	-68.46	2.78	27.28	-43.96	-13	-30.96	Vertical
2474.1	-63.45	2.9	27.59	-38.76	-13	-25.76	Vertical
2474.1	-52.19	2.9	27.59	-27.50	-13	-14.50	Horizontal
Test Results For Mid Channel 836.5MHz							
1673	-53.34	2.78	27.3	-28.82	-13	-15.82	Horizontal
1673	-63.10	2.78	27.3	-38.58	-13	-25.58	Vertical
2509.4	-61.53	2.91	27.62	-36.82	-13	-23.82	Vertical
2509.4	-58.81	2.91	27.62	-34.10	-13	-21.10	Horizontal
Test Results for High Channel 848.3MHz							
1696.6	-61.17	2.78	27.28	-36.67	-13	-23.67	Horizontal
1696.6	-56.15	2.78	27.28	-31.65	-13	-18.65	Vertical
2544.9	-56.16	2.92	27.6	-31.48	-13	-18.48	Vertical
2544.9	-60.95	2.92	27.6	-36.27	-13	-23.27	Horizontal

QPSK EIRP POWER FOR LTE BAND 26 (15MHZ BANDWIDTH)

Test Results for Low Channel 821.5MHz							
Frequency(MHz)	SG Level(dBm)	Cable Loss(dB)	Antenna Gain(dB)	Absolute Level(dBm)	Limit (dBm)	Margin(dBm)	Polarity
1663	-51.11	2.78	27.3	-26.59	-13	-13.59	Horizontal
1663	-57.17	2.78	27.3	-32.65	-13	-19.65	Vertical
2494.5	-60.68	2.9	27.62	-35.96	-13	-22.96	Vertical
2494.5	-58.03	2.9	27.62	-33.31	-13	-20.31	Horizontal
Test Results For Mid Channel 836.5MHz							
1673	-57.16	2.78	27.3	-32.64	-13	-19.64	Horizontal
1673	-56.00	2.78	27.3	-31.48	-13	-18.48	Vertical
2509.5	-63.22	2.91	27.62	-38.51	-13	-25.51	Vertical
2509.5	-58.70	2.91	27.62	-33.99	-13	-20.99	Horizontal
Test Results for High Channel 841.5MHz							
1683	-57.88	2.78	27.3	-33.36	-13	-20.36	Horizontal
1683	-55.58	2.78	27.3	-31.06	-13	-18.06	Vertical
2524.5	-55.87	2.92	27.62	-31.17	-13	-18.17	Vertical
2524.5	-53.16	2.92	27.62	-28.46	-13	-15.46	Horizontal

Note: P_{Mea}(dBm)= Power(dBm)+ AR_{pl} (dBm)

. Over Limit= : P_{Mea}(dBm)-Limit(dBm)

. We test both H direction and V direction, recorded worst case direction.

Both QPSK and 16QAM has been tested, the worst case is QPSK mode, the report just reported the worst case.

9.10 LTE BAND 41
 LTE BAND 41

QPSK EIRP POWER FOR LTE BAND 41 (5MHZ BANDWIDTH)

Test Results for Low Channel 2498.5MHz							
Frequency(MHz)	SG Level(dBm)	Cable Loss(dB)	Antenna Gain(dB)	Absolute Level(dBm)	Limit (dBm)	Margin(dBm)	Polarity
4997	-59.61	2.63	27.26	-34.98	-13	-21.98	Horizontal
4997	-58.16	2.63	27.26	-33.53	-13	-20.53	Vertical
7495.5	-60.72	2.67	27.58	-35.81	-13	-22.81	Vertical
7495.5	-62.74	2.67	27.58	-37.83	-13	-24.83	Horizontal
Test Results For Mid Channel 2593MHz							
5186	-50.50	2.62	27.28	-25.84	-13	-12.84	Horizontal
5186	-55.32	2.62	27.28	-30.66	-13	-17.66	Vertical
7779	-58.79	2.85	27.62	-34.02	-13	-21.02	Vertical
7779	-56.61	2.85	27.62	-31.84	-13	-18.84	Horizontal
Test Results for High Channel 2687.5MHz							
5375	-50.44	2.64	27.28	-25.80	-13	-12.80	Horizontal
5375	-57.70	2.64	27.28	-33.06	-13	-20.06	Vertical
8062.5	-57.60	2.85	27.70	-32.75	-13	-19.75	Vertical
8062.5	-55.84	2.85	27.70	-30.99	-13	-17.99	Horizontal

LTE BAND 41 (20MHZ BANDWIDTH)

QPSK EIRP POWER FOR LTE BAND 41 (20MHZ BANDWIDTH)

Test Results for Low Channel 2506MHz							
Frequency(MHz)	SG Level(dBm)	Cable Loss(dB)	Antenna Gain(dB)	Absolute Level(dBm)	Limit (dBm)	Margin(dBm)	Polarity
5012	-58.71	2.63	27.30	-34.04	-13	-21.04	Horizontal
5012	-53.28	2.63	27.30	-28.61	-13	-15.61	Vertical
7518	-59.75	2.67	27.62	-34.80	-13	-21.80	Vertical
7518	-62.69	2.67	27.62	-37.74	-13	-24.74	Horizontal
Test Results for Mid Channel 2593MHz							
5186	-58.38	2.62	27.33	-33.67	-13	-20.67	Horizontal
5186	-55.62	2.62	27.33	-30.91	-13	-17.91	Vertical
7779	-60.08	2.85	27.67	-35.26	-13	-22.26	Vertical
7779	-59.98	2.85	27.67	-35.16	-13	-22.16	Horizontal
Test Results for High Channel 2680MHz							
5360	-56.53	2.64	27.33	-31.84	-13	-18.84	Horizontal
5360	-58.85	2.64	27.33	-34.16	-13	-21.16	Vertical
8040	-60.23	2.85	27.67	-35.41	-13	-22.41	Vertical
8040	-56.90	2.85	27.67	-32.08	-13	-19.08	Horizontal

9.11 LTE BAND 66

QPSK EIRP POWER FOR LTE BAND 66 (1.4MHZ BANDWIDTH)

Test Results for Low Channel 1710.7MHz							
Frequency(MHz)	SG Level(dBm)	Cable Loss(dB)	Antenna Gain(dB)	Absolute Level(dBm)	Limit (dBm)	Margin(dBm)	Polarity
3421.4	-56.67	2.61	27.28	-32.00	-13	-19.00	Horizontal
3421.4	-60.69	2.61	27.28	-36.02	-13	-23.02	Vertical
5132.1	-63.32	2.87	27.59	-38.60	-13	-25.60	Vertical
5132.1	-51.52	2.87	27.59	-26.80	-13	-13.80	Horizontal
Test Results For Mid Channel 1745MHz							
3490	-53.92	2.62	27.3	-29.24	-13	-16.24	Horizontal
3490	-63.92	2.62	27.3	-39.24	-13	-26.24	Vertical
5337.9	-61.90	2.87	27.62	-37.15	-13	-24.15	Vertical
5337.9	-59.23	2.87	27.62	-34.48	-13	-21.48	Horizontal
Test Results for High Channel 1779.3MHz							
3558.6	-60.87	2.66	27.28	-36.25	-13	-23.25	Horizontal
3558.6	-55.15	2.66	27.28	-30.53	-13	-17.53	Vertical
5337.9	-57.31	2.88	27.6	-32.59	-13	-19.59	Vertical
5337.9	-61.30	2.88	27.6	-36.58	-13	-23.58	Horizontal

LTE BAND 66 (20MHZ BANDWIDTH)

QPSK EIRP POWER FOR LTE BAND 66 (20MHZ BANDWIDTH)

Test Results for Low Channel 1720MHz							
Frequency(MHz)	SG Level(dBm)	Cable Loss(dB)	Antenna Gain(dB)	Absolute Level(dBm)	Limit (dBm)	Margin(dBm)	Polarity
3440	-52.80	2.62	27.3	-28.12	-13	-15.12	Horizontal
3440	-58.67	2.62	27.3	-33.99	-13	-20.99	Vertical
5160	-61.35	2.87	27.62	-36.60	-13	-23.60	Vertical
5160	-58.08	2.87	27.62	-33.33	-13	-20.33	Horizontal
Test Results for Mid Channel 1745MHz							
3490	-58.02	2.62	27.3	-33.34	-13	-20.34	Horizontal
3490	-56.11	2.62	27.3	-31.43	-13	-18.43	Vertical
5337.9	-61.97	2.87	27.62	-37.22	-13	-24.22	Vertical
5337.9	-58.55	2.87	27.62	-33.80	-13	-20.80	Horizontal
Test Results for High Channel 1770MHz							
3540	-58.43	2.62	27.3	-33.75	-13	-20.75	Horizontal
3540	-56.75	2.62	27.3	-32.07	-13	-19.07	Vertical
5310	-55.57	2.87	27.62	-30.82	-13	-17.82	Vertical
5310	-53.00	2.87	27.62	-28.25	-13	-15.25	Horizontal

10. FREQUENCY STABILITY

RULE PART(S)

FCC: §2.1055, §22.355, §24.235, §27.54

LIMITS

§22.355 - The carrier frequency shall not depart from the reference frequency in excess of ± 2.5 ppm for mobile stations.

§24.235 - The frequency stability shall be sufficient to ensure that the fundamental emission stays within the authorized frequency block.

TEST PROCEDURE

Use CMW 500 with Frequency Error measurement capability.

- Temp. = -10° to $+45^{\circ}\text{C}$
- Voltage = low voltage, DC 3.4V, Normal, DC 3.7V and High voltage, DC 4.4V.

Frequency Stability vs Temperature:

The EUT is placed inside a temperature chamber. The temperature is set to -10°C and allowed to stabilize. After sufficient soak time, the transmitting frequency error is measured. The temperature is increased by 10 degrees, allowed to stabilize and soak, and then the measurement is repeated. This is repeated until $+45^{\circ}\text{C}$ is reached.

Frequency Stability vs Voltage:

The peak frequency error is recorded (worst-case).

MODES TESTED

- LTE Band 2
- LTE Band 4
- LTE Band 5
- LTE Band 12
- LTE Band 13
- LTE Band 17
- LTE Band 25
- LTE Band 26
- LTE Band 41
- LTE Band 66

RESULTS

See the following pages.

10.1 LTE BAND 2

QPSK, (20MHz BANDWIDTH)

Frequency error vs. Voltage

Voltage [Vdc]	Frequency [MHz]	Frequency* Error[Hz]	Frequency Error[ppm]	Limit [ppm]
BAND 2 QPSK, (CH 18900 RB size 100 RB Offset 0 20MHz BANDWIDTH)				
3.4	1880	8.9	0.00473	2.5
3.7	1880	6.5	0.00346	2.5
4.2	1880	5.3	0.00282	2.5

Frequency error vs. Temperature

Temperature [° C]	Frequency [MHz]	Frequency* Error[Hz]	Frequency Error[ppm]	Limit [ppm]
BAND 2 QPSK, (CH 18900 RB size 100 RB Offset 0 20MHz BANDWIDTH)				
Normal (25 °C)	1880	6.7	0.00356	2.5
Extreme (45 °C)	1880	6.9	0.00367	2.5
Extreme (40 °C)	1880	8.3	0.00441	2.5
Extreme (30 °C)	1880	9.1	0.00484	2.5
Extreme (10 °C)	1880	8.9	0.00473	2.5
Extreme (0 °C)	1880	6.4	0.00340	2.5
Extreme (-10 °C)	1880	8	0.00426	2.5

16QAM, (20MHz BANDWIDTH)

Frequency error vs. Voltage

Voltage [Vdc]	Frequency [MHz]	Frequency* Error[Hz]	Frequency Error[ppm]	Limit [ppm]
BAND 2 16QAM, (CH 18900 RB size 100 RB Offset 0 20MHz BANDWIDTH)				
3.4	1880	7.4	0.00394	2.5
3.7	1880	6	0.00319	2.5
4.2	1880	6.6	0.00351	2.5

Frequency error vs. Temperature

Temperature [° C]	Frequency [MHz]	Frequency* Error[Hz]	Frequency Error[ppm]	Limit [ppm]
BAND 2 16QAM, (CH 18900 RB size 100 RB Offset 0 20MHz BANDWIDTH)				
Normal (25 °C)	1880	7.9	0.00420	2.5
Extreme (45 °C)	1880	7.2	0.00383	2.5
Extreme (40 °C)	1880	5	0.00266	2.5
Extreme (30 °C)	1880	7.2	0.00383	2.5
Extreme (10 °C)	1880	6.5	0.00346	2.5
Extreme (0 °C)	1880	4.7	0.00250	2.5
Extreme (-10 °C)	1880	9.4	0.00500	2.5

*Note: Frequency error measurements were made by using the build-in capability of the Wireless Communication Test Set.

10.2 LTE BAND 4

QPSK, (10MHz BANDWIDTH)

Frequency error vs. Voltage

Voltage [Vdc]	Frequency [MHz]	Frequency* Error[Hz]	Frequency Error[ppm]	Limit [ppm]
BAND 4 QPSK, (CH 20175 RB size 100 RB Offset 0 20MHz BANDWIDTH)				
3.4	1732.5	6	0.00346	2.5
3.7	1732.5	5.4	0.00312	2.5
4.2	1732.5	6.5	0.00375	2.5

Frequency error vs. Temperature

Temperature [°C]	Frequency [MHz]	Frequency* Error[Hz]	Frequency Error[ppm]	Limit [ppm]
BAND 4 QPSK, (CH 20175 RB size 100 RB Offset 0 20MHz BANDWIDTH)				
Normal (25 °C)	1732.5	5.3	0.00306	2.5
Extreme (45 °C)	1732.5	9.9	0.00571	2.5
Extreme (40 °C)	1732.5	6.1	0.00352	2.5
Extreme (30 °C)	1732.5	6.6	0.00381	2.5
Extreme (10 °C)	1732.5	6.7	0.00387	2.5
Extreme (0 °C)	1732.5	9.8	0.00566	2.5
Extreme (-10 °C)	1732.5	5.9	0.00341	2.5

16QAM, (20MHz BANDWIDTH)

Frequency error vs. Voltage

Voltage [Vdc]	Frequency [MHz]	Frequency* Error[Hz]	Frequency Error[ppm]	Limit [ppm]
BAND 4 16QAM, (CH 20175 RB size 100 RB Offset 0 20MHz BANDWIDTH)				
3.4	1732.5	5.7	0.00329	2.5
3.7	1732.5	7	0.00404	2.5
4.2	1732.5	5.7	0.00329	2.5

Frequency error vs. Temperature

Temperature [°C]	Frequency [MHz]	Frequency* Error[Hz]	Frequency Error[ppm]	Limit [ppm]
BAND 4 16QAM, (CH 20175 RB size 100 RB Offset 0 20MHz BANDWIDTH)				
Normal (25 °C)	1732.5	5.1	0.00294	2.5
Extreme (45 °C)	1732.5	5.1	0.00294	2.5
Extreme (40 °C)	1732.5	3.5	0.00202	2.5
Extreme (30 °C)	1732.5	-6.4	-0.00369	2.5
Extreme (10 °C)	1732.5	-3.1	-0.00179	2.5
Extreme (0 °C)	1732.5	4.3	0.00248	2.5
Extreme (-10 °C)	1732.5	6.3	0.00364	2.5

***Note:** Frequency error measurements were made by using the build-in capability of the Wireless Communication Test Set.

10.3 LTE BAND 5

QPSK, (10MHz BANDWIDTH)

Frequency error vs. Voltage

Voltage [Vdc]	Frequency [MHz]	Frequency* Error[Hz]	Frequency Error[ppm]	Limit [ppm]
BAND 5 QPSK, (CH 20525 RB size 50 RB Offset 0 10MHz BANDWIDTH)				
3.4	836.5	6.4	0.007704	2.5
3.7	836.5	8.2	0.009769	2.5
4.2	836.5	4.4	0.005210	2.5

Frequency error vs. Temperature

Temperature [° C]	Frequency [MHz]	Frequency* Error[Hz]	Frequency Error[ppm]	Limit [ppm]
BAND 5 QPSK, (CH 20525 RB size 50 RB Offset 0 10MHz BANDWIDTH)				
Normal (25 °C)	836.5	6.7	0.00801	2.5
Extreme (45 °C)	836.5	8.2	0.00980	2.5
Extreme (40 °C)	836.5	9.9	0.01184	2.5
Extreme (30 °C)	836.5	5.5	0.00658	2.5
Extreme (10 °C)	836.5	6.1	0.00729	2.5
Extreme (0 °C)	836.5	4.7	0.00562	2.5
Extreme (-10 °C)	836.5	3.6	0.00430	2.5

16QAM, (10MHz BANDWIDTH)

Frequency error vs. Voltage

Voltage [Vdc]	Frequency [MHz]	Frequency* Error[Hz]	Frequency Error[ppm]	Limit [ppm]
BAND 5 16QAM, (CH 20525 RB size 50 RB Offset 0 10MHz BANDWIDTH)				
3.4	836.5	8.3	0.00992	2.5
3.7	836.5	6	0.00717	2.5
4.2	836.5	7.8	0.00932	2.5

Frequency error vs. Temperature

Temperature [° C]	Frequency [MHz]	Frequency* Error[Hz]	Frequency Error[ppm]	Limit [ppm]
BAND 5 16QAM, (CH 20525 RB size 50 RB Offset 0 10MHz BANDWIDTH)				
Normal (25 °C)	836.5	6.5	0.00777	2.5
Extreme (45 °C)	836.5	5.4	0.00646	2.5
Extreme (40 °C)	836.5	3.9	0.00466	2.5
Extreme (30 °C)	836.5	2.1	0.00251	2.5
Extreme (10 °C)	836.5	6.9	0.00825	2.5
Extreme (0 °C)	836.5	2.5	0.00299	2.5
Extreme (-10 °C)	836.5	9.4	0.01124	2.5

***Note:** Frequency error measurements were made by using the build-in capability of the Wireless Communication Test Set.

10.4 LTE BAND 12

QPSK, (20MHz BANDWIDTH)

Frequency error vs. Voltage

Voltage [Vdc]	Frequency [MHz]	Frequency* Error[Hz]	Frequency Error[ppm]	Limit [ppm]
BAND 12 QPSK, (CH 23095 RB size 100 RB Offset 0 20MHz BANDWIDTH)				
3.4	707.5	12.7	0.01795	2.5
3.7	707.5	13.4	0.01894	2.5
4.2	707.5	13.4	0.01894	2.5

Frequency error vs. Temperature

Temperature [° C]	Frequency [MHz]	Frequency* Error[Hz]	Frequency Error[ppm]	Limit [ppm]
BAND 12 QPSK, (CH 23095 RB size 100 RB Offset 0 20MHz BANDWIDTH)				
Normal (25 °C)	707.5	-6.8	-0.00961	2.5
Extreme (45 °C)	707.5	-3.6	-0.00509	2.5
Extreme (40 °C)	707.5	5.9	0.00834	2.5
Extreme (30 °C)	707.5	-3.5	-0.00495	2.5
Extreme (10 °C)	707.5	6.8	0.00961	2.5
Extreme (0 °C)	707.5	4.5	0.00636	2.5
Extreme (-10 °C)	707.5	9.4	0.01329	2.5

16QAM, (20MHz BANDWIDTH)

Frequency error vs. Voltage

Voltage [Vdc]	Frequency [MHz]	Frequency* Error[Hz]	Frequency Error[ppm]	Limit [ppm]
BAND 12 16QAM, (CH 23095 RB size 100 RB Offset 0 20MHz BANDWIDTH)				
3.4	707.5	9.1	0.01286	2.5
3.7	707.5	5.1	0.00721	2.5
4.2	707.5	4.1	0.00580	2.5

Frequency error vs. Temperature

Temperature [° C]	Frequency [MHz]	Frequency* Error[Hz]	Frequency Error[ppm]	Limit [ppm]
BAND 12 16QAM, (CH 23095 RB size 100 RB Offset 0 20MHz BANDWIDTH)				
Normal (25 °C)	707.5	5.4	0.00763	2.5
Extreme (45 °C)	707.5	9	0.01272	2.5
Extreme (40 °C)	707.5	6.8	0.00961	2.5
Extreme (30 °C)	707.5	7.2	0.01018	2.5
Extreme (10 °C)	707.5	6.8	0.00961	2.5
Extreme (0 °C)	707.5	5.1	0.00721	2.5
Extreme (-10 °C)	707.5	6.8	0.00961	2.5

***Note:** Frequency error measurements were made by using the build-in capability of the Wireless Communication Test Set.

10.5 LTE BAND 13

QPSK, (10MHz BANDWIDTH)

Frequency error vs. Voltage

Voltage [Vdc]	Frequency [MHz]	Frequency* Error[Hz]	Frequency Error[ppm]	Limit [ppm]
BAND 13 QPSK, (CH 23230 RB size 50 RB Offset 0 10MHz BANDWIDTH)				
3.4	782	6.6	0.00844	2.5
3.7	782	6.4	0.00818	2.5
4.2	782	4.8	0.00614	2.5

Frequency error vs. Temperature

Temperature [° C]	Frequency [MHz]	Frequency* Error[Hz]	Frequency Error[ppm]	Limit [ppm]
BAND 13 QPSK, (CH 23230 RB size 50 RB Offset 0 10MHz BANDWIDTH)				
Normal (25 °C)	782	4.5	0.00575	2.5
Extreme (45 °C)	782	9.7	0.01240	2.5
Extreme (40 °C)	782	7.3	0.00934	2.5
Extreme (30 °C)	782	6	0.00767	2.5
Extreme (10 °C)	782	6.5	0.00831	2.5
Extreme (0 °C)	782	4.7	0.00601	2.5
Extreme (-10 °C)	782	9.4	0.01202	2.5

16QAM, (10MHz BANDWIDTH)

Frequency error vs. Voltage

Voltage [Vdc]	Frequency [MHz]	Frequency* Error[Hz]	Frequency Error[ppm]	Limit [ppm]
BAND 13 16QAM, (CH 23230 RB size 50 RB Offset 0 10MHz BANDWIDTH)				
3.4	782	6.3	0.00806	2.5
3.7	782	9.7	0.01240	2.5
4.2	782	6.7	0.00857	2.5

Frequency error vs. Temperature

Temperature [° C]	Frequency [MHz]	Frequency* Error[Hz]	Frequency Error[ppm]	Limit [ppm]
BAND 13 QPSK, (CH 23230 RB size 50 RB Offset 0 10MHz BANDWIDTH)				
Normal (25 °C)	782	7.2	0.00921	2.5
Extreme (45 °C)	782	7.2	0.00921	2.5
Extreme (40 °C)	782	5.5	0.00703	2.5
Extreme (30 °C)	782	6.6	0.00844	2.5
Extreme (10 °C)	782	6.5	0.00831	2.5
Extreme (0 °C)	782	4.8	0.00614	2.5
Extreme (-10 °C)	782	9.5	0.01215	2.5

***Note:** Frequency error measurements were made by using the build-in capability of the Wireless Communication Test Set.

10.6 LTE BAND 17

QPSK, (10MHz BANDWIDTH)

Frequency error vs. Voltage

Voltage [Vdc]	Frequency [MHz]	Frequency* Error[Hz]	Frequency Error[ppm]	Limit [ppm]
BAND 17 QPSK, (CH 23790 RB size 50 RB Offset 0 10MHz BANDWIDTH)				
3.4	710	6.6	0.00930	2.5
3.7	710	4.2	0.00592	2.5
4.2	710	8	0.01127	2.5

Frequency error vs. Temperature

Temperature [° C]	Frequency [MHz]	Frequency* Error[Hz]	Frequency Error[ppm]	Limit [ppm]
BAND 17 QPSK, (CH 23790 RB size 50 RB Offset 0 10MHz BANDWIDTH)				
Normal (25 °C)	710	4.3	0.00606	2.5
Extreme (45 °C)	710	5.8	0.00817	2.5
Extreme (40 °C)	710	6.8	0.00958	2.5
Extreme (30 °C)	710	6.7	0.00944	2.5
Extreme (10 °C)	710	4.3	0.00606	2.5
Extreme (0 °C)	710	8.6	0.01211	2.5
Extreme (-10 °C)	710	5.5	0.00775	2.5

16QAM, (10MHz BANDWIDTH)

Frequency error vs. Voltage

Voltage [Vdc]	Frequency [MHz]	Frequency* Error[Hz]	Frequency Error[ppm]	Limit [ppm]
BAND 17 16QAM, (CH 23790 RB size 50 RB Offset 0 10MHz BANDWIDTH)				
3.4	710	5.8	0.00817	2.5
3.7	710	4.9	0.00690	2.5
4.2	710	3.6	0.00507	2.5

Frequency error vs. Temperature

Temperature [° C]	Frequency [MHz]	Frequency* Error[Hz]	Frequency Error[ppm]	Limit [ppm]
BAND 17 QPSK, (CH 23790 RB size 50 RB Offset 0 10MHz BANDWIDTH)				
Normal (25 °C)	710	5.7	0.00803	2.5
Extreme (45 °C)	710	4.2	0.00592	2.5
Extreme (40 °C)	710	3.8	0.00535	2.5
Extreme (30 °C)	710	3.7	0.00521	2.5
Extreme (10 °C)	710	6.8	0.00958	2.5
Extreme (0 °C)	710	5	0.00704	2.5
Extreme (-10 °C)	710	9.5	0.01338	2.5

***Note:** Frequency error measurements were made by using the build-in capability of the Wireless Communication Test Set.

10.7 LTE BAND 25

QPSK, (20MHz BANDWIDTH)

Frequency error vs. Voltage

Voltage [Vdc]	Frequency [MHz]	Frequency* Error[Hz]	Frequency Error[ppm]	Limit [ppm]
BAND 25 QPSK, (20MHz BANDWIDTH RB size 100 RB Offset 0)				
3.4	1882.5	6.7	0.00356	2.5
3.7	1882.5	5.1	0.00271	2.5
4.2	1882.5	6.1	0.00324	2.5

Frequency error vs. Temperature

Temperature [° C]	Frequency [MHz]	Frequency* Error[Hz]	Frequency Error[ppm]	Limit [ppm]
Band 25 16QAM, (20MHz BANDWIDTH RB size 100 RB Offset 0)				
Normal (25 °C)	1882.5	5.4	0.00287	2.5
Extreme (45 °C)	1882.5	3.6	0.00191	2.5
Extreme (40 °C)	1882.5	5.6	0.00297	2.5
Extreme (30 °C)	1882.5	3.1	0.00165	2.5
Extreme (10 °C)	1882.5	4.1	0.00218	2.5
Extreme (0 °C)	1882.5	6.7	0.00356	2.5
Extreme (-10 °C)	1882.5	6.5	0.00345	2.5

16QAM, (20MHz BANDWIDTH)

Frequency error vs. Voltage

Voltage [Vdc]	Frequency [MHz]	Frequency* Error[Hz]	Frequency Error[ppm]	Limit [ppm]
Band 25 16QAM, (20MHz BANDWIDTH RB size 100 RB Offset 0)				
3.4	1882.5	9.3	0.00494	2.5
3.7	1882.5	6.4	0.00340	2.5
4.2	1882.5	6.2	0.00329	2.5

Frequency error vs. Temperature

Temperature [° C]	Frequency [MHz]	Frequency* Error[Hz]	Frequency Error[ppm]	Limit [ppm]
Band 25 16QAM, (20MHz BANDWIDTH RB size 100 RB Offset 0)				
Normal (25 °C)	1882.5	7.5	0.00398	2.5
Extreme (45 °C)	1882.5	4.6	0.00244	2.5
Extreme (40 °C)	1882.5	5.1	0.00271	2.5
Extreme (30 °C)	1882.5	5	0.00266	2.5
Extreme (10 °C)	1882.5	6.6	0.00351	2.5
Extreme (0 °C)	1882.5	4.8	0.00255	2.5
Extreme (-10 °C)	1882.5	9.5	0.00505	2.5

***Note:** Frequency error measurements were made by using the build-in capability of the Wireless Communication Test Set.

10.8 LTE BAND 26

814~824MHz

QPSK, (10MHz BANDWIDTH)

Frequency error vs. Voltage

Voltage [Vdc]	Frequency [MHz]	Frequency* Error[Hz]	Frequency Error[ppm]	Limit [ppm]
BAND 26 QPSK, (CH 26195 RB size 75 RB Offset 0 10MHz BANDWIDTH)				
3.4	819	8.2	0.01001	2.5
3.7	819	8.5	0.01038	2.5
4.2	819	6.5	0.00794	2.5

Frequency error vs. Temperature

Temperature [° C]	Frequency [MHz]	Frequency* Error[Hz]	Frequency Error[ppm]	Limit [ppm]
BAND 26 QPSK, (CH 26195 RB size 75 RB Offset 0 10MHz BANDWIDTH)				
Normal (25 °C)	819	6	0.00733	2.5
Extreme (45 °C)	819	7	0.00855	2.5
Extreme (40 °C)	819	8	0.00977	2.5
Extreme (30 °C)	819	6.3	0.00769	2.5
Extreme (10 °C)	819	5.9	0.00720	2.5
Extreme (0 °C)	819	5.8	0.00708	2.5
Extreme (-10 °C)	819	7.9	0.00965	2.5

16QAM, (10MHz BANDWIDTH)

Frequency error vs. Voltage

Voltage [Vdc]	Frequency [MHz]	Frequency* Error[Hz]	Frequency Error[ppm]	Limit [ppm]
BAND 26 16QAM, (CH 26195 RB size 75 RB Offset 0 10MHz BANDWIDTH)				
3.4	819	4.1	0.00501	2.5
3.7	819	4.1	0.00501	2.5
4.2	819	5.6	0.00684	2.5

Frequency error vs. Temperature

Temperature [° C]	Frequency [MHz]	Frequency* Error[Hz]	Frequency Error[ppm]	Limit [ppm]
BAND 26 16QAM, (CH 26195 RB size 75 RB Offset 0 10MHz BANDWIDTH)				
Normal (25 °C)	819	5.2	0.00635	2.5
Extreme (45 °C)	819	5.3	0.00647	2.5
Extreme (40 °C)	819	3.7	0.00452	2.5
Extreme (30 °C)	819	4.5	0.00549	2.5
Extreme (10 °C)	819	7	0.00855	2.5
Extreme (0 °C)	819	2.2	0.00269	2.5
Extreme (-10 °C)	819	3.7	0.00452	2.5

***Note:** Frequency error measurements were made by using the build-in capability of the Wireless Communication Test Set.

QPSK, (15MHz BANDWIDTH)

824~849MHz

Frequency error vs. Voltage

Voltage [Vdc]	Frequency [MHz]	Frequency* Error[Hz]	Frequency Error[ppm]	Limit [ppm]
BAND 26 QPSK, (CH 26740 RB size 75 RB Offset 0 10MHz BANDWIDTH)				
3.2	836.5	9.2	0.01100	2.5
3.8	836.5	10.5	0.01255	2.5
4.4	836.5	9.5	0.01136	2.5

Frequency error vs. Temperature

Temperature [°C]	Frequency [MHz]	Frequency* Error[Hz]	Frequency Error[ppm]	Limit [ppm]
BAND 26 QPSK, (CH 26740 RB size 75 RB Offset 0 10MHz BANDWIDTH)				
Normal (25 °C)	836.5	10	0.01195	2.5
Extreme (45 °C)	836.5	9.6	0.01148	2.5
Extreme (40 °C)	836.5	8.2	0.00980	2.5
Extreme (30 °C)	836.5	8.5	0.01016	2.5
Extreme (10 °C)	836.5	9.7	0.01160	2.5
Extreme (0 °C)	836.5	7.2	0.00861	2.5
Extreme (-10 °C)	836.5	5.2	0.00622	2.5

16QAM, (20MHz BANDWIDTH)

Frequency error vs. Voltage

Voltage [Vdc]	Frequency [MHz]	Frequency* Error[Hz]	Frequency Error[ppm]	Limit [ppm]
BAND 26 16QAM, (CH 26740 RB size 75 RB Offset 0 10MHz BANDWIDTH)				
3.2	836.5	8.9	0.01064	2.5
3.8	836.5	10.8	0.01291	2.5
4.4	836.5	9.6	0.01148	2.5

Frequency error vs. Temperature

Temperature [°C]	Frequency [MHz]	Frequency* Error[Hz]	Frequency Error[ppm]	Limit [ppm]
BAND 26 16QAM, (CH 26740 RB size 75 RB Offset 0 10MHz BANDWIDTH)				
Normal (25 °C)	836.5	6.6	0.00789	2.5
Extreme (45 °C)	836.5	7.1	0.00849	2.5
Extreme (40 °C)	836.5	9.6	0.01148	2.5
Extreme (30 °C)	836.5	6.3	0.00753	2.5
Extreme (10 °C)	836.5	6.2	0.00741	2.5
Extreme (0 °C)	836.5	5.4	0.00646	2.5
Extreme (-10 °C)	836.5	9.6	0.01148	2.5

***Note:** Frequency error measurements were made by using the build-in capability of the Wireless Communication Test Set.

10.9 LTE BAND 41

QPSK, (20MHz BANDWIDTH)

Frequency error vs. Voltage

Voltage [Vdc]	Frequency [MHz]	Frequency* Error[Hz]	Frequency Error[ppm]	Limit [ppm]
BAND 41 QPSK, (CH 40620 RB size 75 RB Offset 0 10MHz BANDWIDTH)				
3.4	2593	8.6	0.00332	2.5
3.7	2593	6.7	0.00258	2.5
4.2	2593	7.7	0.00297	2.5

Frequency error vs. Temperature

Temperature [° C]	Frequency [MHz]	Frequency* Error[Hz]	Frequency Error[ppm]	Limit [ppm]
BAND 41 QPSK, (CH 40620 RB size 75 RB Offset 0 10MHz BANDWIDTH)				
Normal (25 °C)	2593	7.5	0.00289	2.5
Extreme (45 °C)	2593	4.6	0.00177	2.5
Extreme (40 °C)	2593	5.2	0.00201	2.5
Extreme (30 °C)	2593	10.7	0.00413	2.5
Extreme (10 °C)	2593	6.6	0.00255	2.5
Extreme (0 °C)	2593	5.2	0.00201	2.5
Extreme (-10 °C)	2593	9.6	0.00370	2.5

16QAM, (10MHz BANDWIDTH)

Frequency error vs. Voltage

Voltage [Vdc]	Frequency [MHz]	Frequency* Error[Hz]	Frequency Error[ppm]	Limit [ppm]
BAND 41 16QAM, (CH 40620 RB size 75 RB Offset 0 10MHz BANDWIDTH)				
3.4	2593	8.2	0.00316	2.5
3.7	2593	6.5	0.00251	2.5
4.2	2593	6.6	0.00255	2.5

Frequency error vs. Temperature

Temperature [° C]	Frequency [MHz]	Frequency* Error[Hz]	Frequency Error[ppm]	Limit [ppm]
BAND 41 16QAM, (CH 40620 RB size 75 RB Offset 0 10MHz BANDWIDTH)				
Normal (25 °C)	2593	7.7	0.00297	2.5
Extreme (45 °C)	2593	4.8	0.00185	2.5
Extreme (40 °C)	2593	5.4	0.00208	2.5
Extreme (30 °C)	2593	10.7	0.00413	2.5
Extreme (10 °C)	2593	6	0.00231	2.5
Extreme (0 °C)	2593	4.7	0.00181	2.5
Extreme (-10 °C)	2593	9.1	0.00351	2.5

***Note:** Frequency error measurements were made by using the build-in capability of the Wireless Communication Test Set.

10.10 LTE BAND 66

QPSK, (20MHz BANDWIDTH)

Frequency error vs. Voltage

Voltage [Vdc]	Frequency [MHz]	Frequency* Error[Hz]	Frequency Error[ppm]	Limit [ppm]
BAND 66 QPSK, (CH 132322 RB size 75 RB Offset 0 10MHz BANDWIDTH)				
3.4	1745	12.7	0.00728	2.5
3.7	1745	13.4	0.00768	2.5
4.2	1745	13	0.00745	2.5

Frequency error vs. Temperature

Temperature [° C]	Frequency [MHz]	Frequency* Error[Hz]	Frequency Error[ppm]	Limit [ppm]
BAND 66 QPSK, (CH 132322 RB size 75 RB Offset 0 10MHz BANDWIDTH)				
Normal (25 °C)	1745	7.7	0.00441	2.5
Extreme (45 °C)	1745	5.2	0.00298	2.5
Extreme (40 °C)	1745	5.1	0.00292	2.5
Extreme (30 °C)	1745	5	0.00287	2.5
Extreme (10 °C)	1745	6.6	0.00378	2.5
Extreme (0 °C)	1745	4.8	0.00275	2.5
Extreme (-10 °C)	1745	9.8	0.00562	2.5

16QAM, (10MHz BANDWIDTH)

Frequency error vs. Voltage

Voltage [Vdc]	Frequency [MHz]	Frequency* Error[Hz]	Frequency Error[ppm]	Limit [ppm]
BAND 66 16QAM, (CH 132322 RB size 75 RB Offset 0 10MHz BANDWIDTH)				
3.4	1745	12.3	0.00705	2.5
3.7	1745	14.2	0.00814	2.5
4.2	1745	13.5	0.00774	2.5

Frequency error vs. Temperature

Temperature [° C]	Frequency [MHz]	Frequency* Error[Hz]	Frequency Error[ppm]	Limit [ppm]
BAND 66 16QAM, (CH 132322 RB size 75 RB Offset 0 10MHz BANDWIDTH)				
Normal (25 °C)	1745	7.7	0.00441	2.5
Extreme (45 °C)	1745	4.7	0.00269	2.5
Extreme (40 °C)	1745	5.9	0.00338	2.5
Extreme (30 °C)	1745	5.2	0.00298	2.5
Extreme (10 °C)	1745	6.3	0.00361	2.5
Extreme (0 °C)	1745	4.7	0.00269	2.5
Extreme (-10 °C)	1745	9.4	0.00539	2.5

***Note:** Frequency error measurements were made by using the build-in capability of the Wireless Communication Test Set.

11. Peak-to-Average Ratio

11.1 Description of the PAR Measurement

The peak-to-average ratio (PAR) of the transmission may not exceed 13 dB.

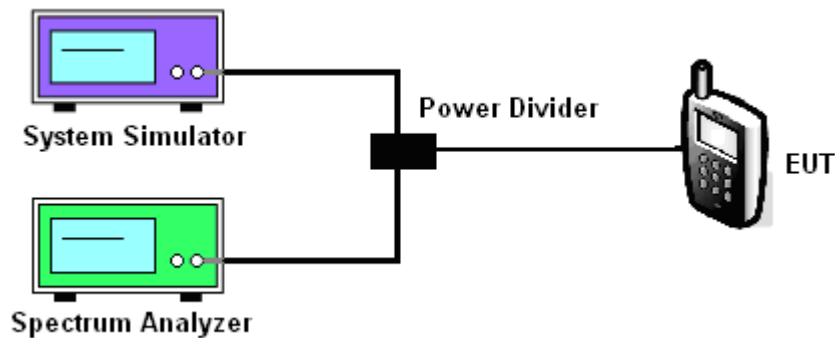
11.2 Measuring Instruments

See list of measuring instruments of this test report.

11.3 Test Procedures

1. The EUT was connected to Spectrum Analyzer and Base Station via power divider.
2. The RF output of EUT was connected to the spectrum analyzer by RF cable and attenuator. The path loss was compensated to the results for each measurement.
3. For GSM/EGPRS operating modes:
 - a. Set the RBW = 1MHz, VBW = 1MHz, Peak detector in spectrum analyzer.
 - b. Set EUT in maximum power output, and triggered the burst signal.
 - c. Measured respectively the Peak level and Mean level, and the deviation was recorded as Peak to Average Ratio.
4. For UMTS operating modes:
 - a. Set the CCDF (Complementary Cumulative Distribution Function) option in spectrum analyzer.
 - b. The highest RF powers were measured and recorded the maximum PAPR level associated with a probability of 0.1 %.

11.4 Test Setup



MODES TESTED

- LTE Band 2/4/5/12/13/17/25/26/41/66
-

Test data reference attachment.

----END OF REPORT----