



LTE Band 4 Maximum Average Power [dBm]						
BW [MHz]	RB Size	RB Offset	Mod	Lowest	Middle	Highest
5	1	0	QPSK	22.7	22.69	22.64
5	1	12		22.44	22.44	22.35
5	1	24		22.17	22.2	22.15
5	12	0		21.91	21.97	21.87
5	12	6		21.69	21.72	21.62
5	12	11		21.39	21.47	21.32
5	25	0		21.14	21.2	21.04
5	1	0	16-QAM	22.44	22.47	22.41
5	1	12		22.17	22.26	22.18
5	1	24		21.95	22.02	21.94
5	12	0		21.72	21.75	21.71
5	12	6		21.52	21.54	21.44
5	12	11		21.3	21.25	21.16
5	25	0		21.05	21.04	20.95
10	1	0	QPSK	23.25	23.37	23.26
10	1	24		22.99	23.16	23.04
10	1	49		22.74	22.9	22.8
10	25	0		22.44	22.62	22.51
10	25	12		22.16	22.41	22.25
10	25	24		21.9	22.2	22.04
10	50	0		21.66	21.97	21.76
10	1	0	16-QAM	22.95	23.08	23.01
10	1	24		22.75	22.82	22.77
10	1	49		22.47	22.61	22.52
10	25	0		22.23	22.36	22.3
10	25	12		21.96	22.13	22.08
10	25	24		21.69	21.84	21.84
10	50	0		21.4	21.56	21.62



LTE Band 25 Maximum Average Power [dBm]						
BW [MHz]	RB Size	RB Offset	Mod	Lowest	Middle	Highest
1.4	1	0	QPSK	20.9	20.71	20.74
1.4	1	2		20.65	20.45	20.46
1.4	1	5		20.39	20.2	20.19
1.4	3	0		20.11	19.93	19.95
1.4	3	1		19.86	19.72	19.66
1.4	3	2		19.61	19.49	19.41
1.4	6	0		19.39	19.19	19.13
1.4	1	0	16-QAM	20.62	20.42	20.49
1.4	1	2		20.42	20.15	20.25
1.4	1	5		20.12	19.87	20
1.4	3	0		19.87	19.58	19.79
1.4	3	1		19.66	19.38	19.54
1.4	3	2		19.42	19.12	19.31
1.4	6	0		19.17	18.9	19.05
3	1	0	QPSK	21.45	21.07	21.33
3	1	7		21.16	20.8	21.07
3	1	14		20.86	20.54	20.79
3	8	0		20.63	20.25	20.56
3	8	4		20.38	20.01	20.34
3	8	7		20.17	19.81	20.09
3	15	0		19.9	19.54	19.86
3	1	0	16-QAM	21.25	20.82	21.11
3	1	7		20.97	20.54	20.83
3	1	14		20.69	20.27	20.56
3	8	0		20.44	20.03	20.34
3	8	4		20.15	19.78	20.04
3	8	7		19.92	19.51	19.82
3	15	0		19.63	19.28	19.56



LTE Band 25 Maximum Average Power [dBm]						
BW [MHz]	RB Size	RB Offset	Mod	Lowest	Middle	Highest
5	1	0	QPSK	22.6	22.17	22.34
5	1	12		22.31	21.93	22.08
5	1	24		22.08	21.67	21.83
5	12	0		21.82	21.44	21.58
5	12	6		21.53	21.24	21.34
5	12	11		21.29	21	21.05
5	25	0		21.02	20.78	20.8
5	1	0		16-QAM	22.4	21.97
5	1	12	22.2		21.68	21.9
5	1	24	21.92		21.45	21.64
5	12	0	21.7		21.22	21.44
5	12	6	21.42		21	21.2
5	12	11	21.13		20.79	20.93
5	25	0	20.85		20.52	20.68
10	1	0	QPSK		21.89	21.51
10	1	24		21.64	21.23	21.47
10	1	49		21.42	20.94	21.22
10	25	0		21.19	20.71	20.93
10	25	12		20.92	20.46	20.65
10	25	24		20.7	20.21	20.38
10	50	0		20.41	19.96	20.09
10	1	0		16-QAM	21.68	21.25
10	1	24	21.45		21.02	21.24
10	1	49	21.16		20.77	21
10	25	0	20.91		20.57	20.8
10	25	12	20.62		20.3	20.59
10	25	24	20.33		20.07	20.35
10	50	0	20.11		19.86	20.12



LTE Band 25 Maximum Average Power [dBm]						
BW [MHz]	RB Size	RB Offset	Mod	Lowest	Middle	Highest
15	1	0	QPSK	20.74	20.33	20.74
15	1	37		20.45	20.05	20.51
15	1	74		20.2	19.8	20.26
15	36	0		19.97	19.58	20.05
15	36	18		19.68	19.32	19.76
15	36	39		19.39	19.09	19.53
15	75	0		19.16	18.82	19.3
15	1	0	16-QAM	20.45	20.06	20.52
15	1	38		20.18	19.84	20.23
15	1	75		19.96	19.57	19.99
15	36	0		19.67	19.33	19.74
15	36	18		19.46	19.11	19.51
15	36	39		19.25	18.89	19.3
15	75	0		18.99	18.59	19.07
20	1	0	QPSK	22.24	21.67	21.93
20	1	49		21.94	21.41	21.66
20	1	99		21.69	21.15	21.44
20	50	0		21.48	20.87	21.14
20	50	24		21.22	20.58	20.87
20	50	49		20.97	20.28	20.61
20	100	0		20.67	20	20.35
20	1	0	16-QAM	22.01	21.44	21.67
20	1	49		21.73	21.18	21.41
20	1	99		21.47	20.9	21.15
20	50	0		21.21	20.65	20.92
20	50	24		20.95	20.43	20.67
20	50	49		20.67	20.15	20.39
20	100	0		20.39	19.86	20.19



LTE Band 26 Maximum Average Power [dBm]						
BW [MHz]	RB Size	RB Offset	Mod	Lowest	Middle	Highest
1.4	1	0	QPSK	21.74	22.13	22.23
1.4	1	2		21.51	21.86	22.02
1.4	1	5		21.3	21.6	21.82
1.4	3	0		21.07	21.38	21.59
1.4	3	1		20.77	21.09	21.38
1.4	3	2		20.52	20.85	21.15
1.4	6	0		20.26	20.6	20.86
1.4	1	0	16-QAM	21.51	21.93	21.94
1.4	1	2		21.22	21.64	21.7
1.4	1	5		20.99	21.41	21.45
1.4	3	0		20.78	21.13	21.18
1.4	3	1		20.5	20.84	20.9
1.4	3	2		20.29	20.59	20.68
1.4	6	0		20.05	20.32	20.39
3	1	0	QPSK	22.25	22.55	22.6
3	1	7		22.02	22.26	22.31
3	1	14		21.76	22.04	22.09
3	8	0		21.49	21.8	21.8
3	8	4		21.24	21.53	21.59
3	8	7		20.96	21.24	21.36
3	15	0		20.72	20.97	21.12
3	1	0	16-QAM	22.05	22.28	22.39
3	1	7		21.8	21.99	22.18
3	1	14		21.51	21.71	21.95
3	8	0		21.31	21.47	21.72
3	8	4		21.07	21.17	21.51
3	8	7		20.81	20.93	21.23
3	15	0		20.58	20.64	21



LTE Band 26 Maximum Average Power [dBm]						
BW [MHz]	RB Size	RB Offset	Mod	Lowest	Middle	Highest
5	1	0	QPSK	22.36	22.48	22.29
5	1	12		22.13	22.24	22.04
5	1	24		21.9	22	21.82
5	12	0		21.68	21.74	21.54
5	12	6		21.43	21.49	21.29
5	12	11		21.2	21.21	21.01
5	25	0		20.94	20.97	20.72
5	1	0	16-QAM	22.15	22.27	22.01
5	1	12		21.9	22.01	21.79
5	1	24		21.66	21.75	21.57
5	12	0		21.38	21.51	21.27
5	12	6		21.13	21.22	21.07
5	12	11		20.88	20.99	20.78
5	25	0		20.64	20.73	20.52
10	1	0	QPSK	22.43	22.52	22.3
10	1	24		22.13	22.31	22.08
10	1	49		21.87	22.07	21.79
10	25	0		21.65	21.83	21.56
10	25	12		21.41	21.62	21.29
10	25	24		21.18	21.32	20.99
10	50	0		20.95	21.06	20.75
10	1	0	16-QAM	22.21	22.3	22.08
10	1	24		21.92	22.1	21.86
10	1	49		21.69	21.81	21.62
10	25	0		21.46	21.55	21.38
10	25	12		21.19	21.33	21.1
10	25	24		20.95	21.11	20.86
10	50	0		20.74	20.88	20.59



LTE Band 26 Maximum Average Power [dBm]						
BW [MHz]	RB Size	RB Offset	Mod	Lowest	Middle	Highest
15	1	0	QPSK	22.8	22.96	23.04
15	1	37		22.51	22.75	22.82
15	1	74		22.24	22.55	22.58
15	36	0		22.03	22.26	22.3
15	36	18		21.75	22.02	22
15	36	39		21.53	21.73	21.72
15	75	0		21.25	21.53	21.42
15	1	0	16-QAM	22.55	22.67	22.79
15	1	38		22.3	22.43	22.54
15	1	75		22.04	22.2	22.26
15	36	0		21.84	21.93	21.99
15	36	18		21.59	21.67	21.74
15	36	39		21.31	21.37	21.45
15	75	0		21.11	21.09	21.24



LTE Band 26 (Part 90)

LTE Band 26 Maximum Average Power [dBm]				
BW [MHz]	RB Size	RB Offset	Mod	Middle
1.4	1	0	QPSK	21.3
1.4	1	2		21.02
1.4	1	5		20.77
1.4	3	0		20.55
1.4	3	1		20.32
1.4	3	2		20.05
1.4	6	0		19.79
1.4	1	0	16-QAM	21.03
1.4	1	2		20.74
1.4	1	5		20.5
1.4	3	0		20.3
1.4	3	1		20.02
1.4	3	2		19.74
1.4	6	0		19.44
3	1	0	QPSK	21.26
3	1	7		20.98
3	1	14		20.7
3	8	0		20.49
3	8	4		20.28
3	8	7		20.07
3	15	0		19.8
3	1	0	16-QAM	20.98
3	1	7		20.69
3	1	14		20.48
3	8	0		20.23
3	8	4		19.96
3	8	7		19.68
3	15	0		19.39





LTE Band 26 Maximum Average Power [dBm]				
BW [MHz]	RB Size	RB Offset	Mod	Middle
5	1	0	QPSK	21.48
5	1	12		21.25
5	1	24		21
5	12	0		20.8
5	12	6		20.51
5	12	11		20.29
5	25	0		20.04
5	1	0		16-QAM
5	1	12	20.94	
5	1	24	20.72	
5	12	0	20.51	
5	12	6	20.25	
5	12	11	20.04	
5	25	0	19.81	
10	1	0	QPSK	
10	1	24		21.14
10	1	49		20.88
10	25	0		20.62
10	25	12		20.34
10	25	24		20.1
10	50	0		19.87
10	1	0		16-QAM
10	1	24	20.94	
10	1	49	20.67	
10	25	0	20.41	
10	25	12	20.18	
10	25	24	19.89	
10	50	0	19.6	



LTE Band 41 Maximum Average Power [dBm]						
BW [MHz]	RB Size	RB Offset	Mod	Lowest	Middle	Highest
5	1	0	QPSK	21.06	21.35	21.2
5	1	12		20.83	21.06	20.95
5	1	24		20.55	20.77	20.66
5	12	0		20.3	20.53	20.43
5	12	6		20.1	20.28	20.18
5	12	11		19.86	20	19.91
5	25	0		19.58	19.76	19.66
5	1	0	16-QAM	20.86	21.12	20.98
5	1	12		20.62	20.91	20.73
5	1	24		20.41	20.63	20.48
5	12	0		20.18	20.37	20.2
5	12	6		19.91	20.1	19.94
5	12	11		19.64	19.86	19.65
5	25	0		19.44	19.57	19.44
10	1	0	QPSK	21.3	21.4	21.48
10	1	24		21.01	21.11	21.22
10	1	49		20.8	20.9	20.94
10	25	0		20.6	20.64	20.72
10	25	12		20.3	20.41	20.43
10	25	24		20.07	20.17	20.19
10	50	0		19.83	19.88	19.9
10	1	0	16-QAM	21.07	21.17	21.2
10	1	24		20.79	20.97	20.92
10	1	49		20.53	20.72	20.64
10	25	0		20.27	20.5	20.35
10	25	12		20.04	20.26	20.09
10	25	24		19.82	20.05	19.87
10	50	0		19.54	19.77	19.61



LTE Band 41 Maximum Average Power [dBm]						
BW [MHz]	RB Size	RB Offset	Mod	Lowest	Middle	Highest
15	1	0	QPSK	22.06	22.28	22.15
15	1	37		21.77	22	21.87
15	1	74		21.52	21.76	21.64
15	36	0		21.26	21.48	21.42
15	36	18		20.99	21.26	21.13
15	36	39		20.73	21.04	20.91
15	75	0		20.48	20.82	20.65
15	1	0	16-QAM	21.84	22	21.9
15	1	38		21.6	21.74	21.69
15	1	75		21.32	21.51	21.48
15	36	0		21.03	21.29	21.19
15	36	18		20.78	21.07	20.92
15	36	39		20.52	20.81	20.66
15	75	0		20.27	20.53	20.43
20	1	0	QPSK	22.4	22.48	22.63
20	1	49		22.12	22.27	22.38
20	1	99		21.89	22.01	22.17
20	50	0		21.6	21.79	21.96
20	50	24		21.31	21.5	21.68
20	50	49		21.03	21.23	21.4
20	100	0		20.79	21.01	21.13
20	1	0	16-QAM	22.11	22.25	22.41
20	1	49		21.84	22	22.2
20	1	99		21.62	21.72	21.96
20	50	0		21.32	21.48	21.68
20	50	24		21.04	21.26	21.38
20	50	49		20.81	20.99	21.12
20	100	0		20.54	20.79	20.86

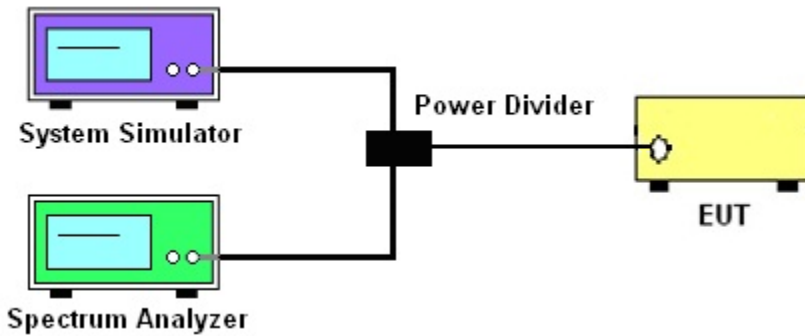
#### 4. PEAK-TO-AVERAGE RATIO

##### 4.1 DESCRIPTION OF THE CONDUCTED OUTPUT POWER MEASUREMENT

###### 4.1.1 MEASUREMENT METHOD

Use one of the procedures presented in 4.1 to measure the total peak power and record as PPK. Use one of the applicable procedures presented 4.2 to measure the total average power and record as PAvg. Both the peak and average power levels must be expressed in the same logarithmic units (e.g., dBm). Determine the PAPR from:  
 $PAPR (dB) = PPK (dBm) - PAvg (dBm)$ .

###### 4.1.2 TEST SETUP



###### 4.1.3 TEST PROCEDURES

1. The testing follows FCC KDB 971168 D01 v03r01 Section 5.7.2 and ANSI C63.26 2015 Section 5.2.3.4
2. The EUT was connected to spectrum and system simulator via a power divider
3. Select lowest, middle, and highest channels for each band and different modulation.
4. Set the test probe and measure the peak and average power of the spectrum analyzer
5. Record the deviation as Peak to Average Ratio.

	LTE					
LTE BW	1.4M	3M	5M	10M	15M	20M
Span	3MHz	6MHz	10MHz	20MHz	30MHz	40MHz
RBW	30kHz	30kHz	100kHz	100kHz	300kHz	300kHz
VBW	100kHz	100kHz	300kHz	300kHz	1000kHz	1000kHz
Detector	PK/AVG	PK/AVG	PK/AVG	PK/AVG	PK/AVG	PK/AVG
Trace	Max	Max	Max	Max	Max	Max
Sweep Count	Auto	Auto	Auto	Auto	Auto	Auto



4.1.4 TEST RESULTS

LTE Band 2 PAR [dBm]					
BW [MHz]	RB Size	Modulation	Lowest	Middle	Highest
N/A	N/A	N/A	P-A	P-A	P-A
20	1	QPSK	4.58	4.56	4.47
20	100	N/A	5.12	5.27	5.44
20	1	16-QAM	5.43	5.23	5.35
20	100	N/A	5.92	6.09	6.27
Limit			≤13dBm		

LTE Band 4 PAR [dBm]					
BW [MHz]	RB Size	Modulation	Lowest	Middle	Highest
N/A	N/A	N/A	P-A	P-A	P-A
20	1	QPSK	4.64	4.41	4.68
20	100	N/A	5.03	5.24	5.2
20	1	16-QAM	5.46	5.29	5.6
20	100	N/A	5.9	6.08	6.09
Limit			≤13dBm		

LTE Band 5 PAR [dBm]					
BW [MHz]	RB Size	Modulation	Lowest	Middle	Highest
N/A	N/A	N/A	P-A	P-A	P-A
10	1	QPSK	4.83	4.78	4.75
10	50	N/A	5.55	5.63	5.46
10	1	16-QAM	5.77	5.65	5.47
10	50	N/A	6.4	6.4	6.29
Limit			≤13dBm		

LTE Band 12 PAR [dBm]					
BW [MHz]	RB Size	Modulation	Lowest	Middle	Highest
N/A	N/A	N/A	P-A	P-A	P-A
10	1	QPSK	4.88	5.07	4.1
10	50	N/A	4.95	5.24	5.47
10	1	16-QAM	5.5	5.83	4.94
10	50	N/A	5.92	6.09	6.28
Limit			≤13dBm		

LTE Band 13 PAR [dBm]				
BW [MHz]	RB Size	Modulation	N/A	
N/A	N/A	N/A	P-A	
10	1	QPSK	5.26	
10	50	N/A	5.5	
10	1	16-QAM	6.72	
10	50	N/A	6.29	
Limit			≤13dBm	



LTE Band 17 PAR [dBm]					
BW [MHz]	RB Size	Modulation	Lowest	Middle	Highest
N/A	N/A	N/A	P-A	P-A	P-A
10	1	QPSK	4.31	3.99	4.18
10	50	N/A	5.43	5.48	5.47
10	1	16-QAM	5.28	4.68	4.94
10	50	N/A	6.16	6.26	6.28
Limit			≤13dBm		

LTE Band 25 PAR [dBm]					
BW [MHz]	RB Size	Modulation	Lowest	Middle	Highest
N/A	N/A	N/A	P-A	P-A	P-A
20	1	QPSK	4.58	4.6	4.59
20	100	N/A	5.13	5.23	5.31
20	1	16-QAM	5.52	5.26	5.49
20	100	N/A	5.97	6.09	6.21
Limit			≤13dBm		

LTE Band 26 PAR [dBm]					
BW [MHz]	RB Size	Modulation	Lowest	Middle	Highest
N/A	N/A	N/A	P-A	P-A	P-A
15	1	QPSK	4.8	4.77	5.01
15	75	N/A	5.48	5.75	5.47
15	1	16-QAM	5.85	5.68	5.84
15	75	N/A	6.18	6.38	6.17
Limit			≤13dBm		

LTE Band 41 PAR [dB]					
BW [MHz]	RB Size	Modulation	Lowest	Middle	Highest
N/A	N/A	N/A	P-A	P-A	P-A
20	1	QPSK	4.84	4.82	5.4
20	100	N/A	5.2	5.42	5.48
20	1	16-QAM	5.25	5.23	5.84
20	100	N/A	6.36	6.02	6.6
Limit			≤13dB		

Note: Test chart See Appendix D

## 5. RADIATED POWER AND EFFECTIVE ISOTROPIC RADIATED POWER

### 5.1 DESCRIPTION OF THE ERP/EIRP MEASUREMENT

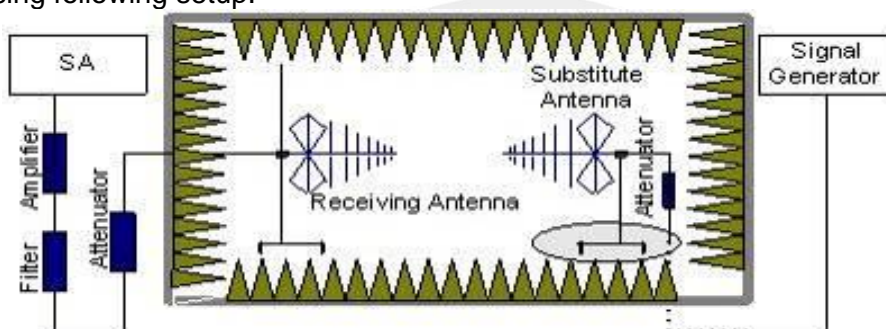
#### 5.1.1 MEASUREMENT METHOD

Effective radiated power output measurements by substitution method according to ANSI C63.26 2015, and the spectrum analyzer configuration follows KDB 971168 D01 Power Meas. License Digital Systems. Mobile and portable (hand-held) stations operating are limited to average ERP, Equivalent isotropic radiated power output measurements by substitution method according to ANSI C63.26 2015, and the spectrum analyzer configuration follows KDB 971168 D01 Power Meas, Mobile and portable (hand-held) stations operating are limited to average EIRP.

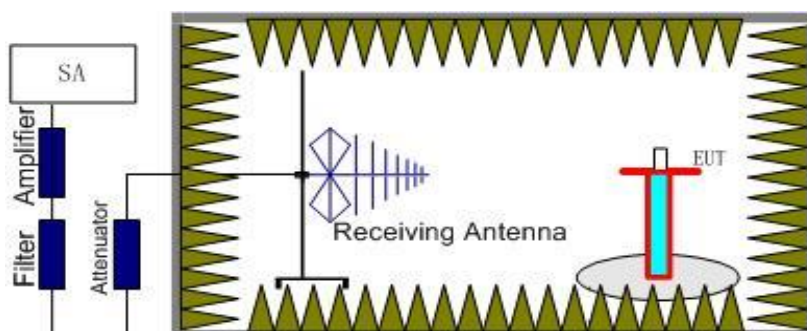
#### 5.1.2 TEST SETUP

The procedure of radiated spurious emissions is as follows:

a) Pre-calibration With pre-calibration method, the Radiated Spurious Emissions(RSE) is calculated as,  $RSE = R_x \text{ (dBuV)} + CL \text{ (dB)} + SA \text{ (dB)} + Gain \text{ (dBi)} - 107 \text{ (dBuV to dBm)}$  The SA is calibrated using following setup.



b) EUT was placed on a 1.5m non-conductive stand at a 3 m test distance from the receive antenna. A receiving antenna was placed on the antenna mast 3 m from the test item for emission measurements. The height of receiving antenna is 0.8m. The test setup refers to figure below. Detected emissions were maximized at each frequency by rotating the test item and adjusting the receiving antenna polarization. The radiated emission measurements of all non-harmonic and harmonics of the transmit frequency through the 10th harmonic measured with peak detector and 1MHz bandwidth.



Radiated emissions measurements were made only at the upper, middle, and lower carrier frequencies. It was decided that measurements at these three carrier frequencies would be sufficient to demonstrate compliance with emissions limits because it was seen that all the significant spurs occur well outside the band and no radiation was seen from a carrier in one block of any band into any of the other blocks.

The substitution method is used. Substitution values at each frequency are measured before and saved to the test software. A "reference path loss" is established and the ARpl is the attenuation of "reference path loss", and including the gain of receive antenna, the gain of the preamplifier, the cable loss and the air loss. The measurement results are obtained as described below:

$Power = P_{Meas} + AR_{pl}$



### 5.1.3 TEST PROCEDURES

1. The testing follows FCC KDB 971168 D01v03r01 Section 5.6 and ANSI C63.26 2015 Section 5.2.
2. The EUT was placed on a non-conductive rotating platform 1.5 meters high in a semi-anechoic chamber. The radiated emission at the fundamental frequency was measured at 3 m with a test antenna and a spectrum analyzer with Peak detector.
3. During the measurement, the system simulator parameters were set to force the EUT transmitting at maximum output power. The maximum emission was recorded from analyzer power level (LVL) from the 360 degrees rotation of the turntable and the test antenna raised and lowered over a range from 1 to 4 m in both horizontally and vertically polarized orientations.
4. Effective Isotropic Radiated Power (EIRP) was measured by substitution method according to ANSI C63.26 2015. The EUT was replaced by dipole antenna (substitution antenna) at same location and then a known power from S.G. was applied into the dipole antenna through a Tx cable, and then recorded the maximum Analyzer reading through raised and lowered the test antenna. The correction factor (in dB) = S.G. - Tx Cable loss + Substitution antenna gain - Analyzer reading. Then the EUT's EIRP was calculated with the correction factor,  $EIRP/ERP = LVL + \text{Correction factor}$
5. RB Set greater than bandwidth, VB Set spectrum analyzer Maximum support.







5.1.4 TEST RESULTS

Note: Test is divided into three directions, X/Y/Z. X pattern for the worst.

Radiated Power (EIRP) for LTE Band 2 / 1.4M									
Modulation	RB		Channel	Result					Conclusion
	Size	Offset		S G.Level (dBm)	Cable loss	Gain (dBi)	PMeas E.R.P(dBm)	Polarization Of Max. ERP	
QPSK	1	0	Lowest	9.97	2.37	10.40	18.00	Horizontal	Pass
	1	0	Middle	9.63	2.39	10.42	17.66	Horizontal	Pass
	1	0	Highest	9.78	2.40	10.44	17.82	Horizontal	Pass
	1	0	Lowest	11.32	2.37	10.40	19.35	Vertical	Pass
	1	0	Middle	10.99	2.39	10.42	19.02	Vertical	Pass
	1	0	Highest	11.14	2.40	10.44	19.18	Vertical	Pass
16QAM	1	0	Lowest	9.64	2.37	10.40	17.67	Horizontal	Pass
	1	0	Middle	9.34	2.39	10.42	17.37	Horizontal	Pass
	1	0	Highest	9.55	2.40	10.44	17.59	Horizontal	Pass
	1	0	Lowest	11.07	2.37	10.40	19.10	Vertical	Pass
	1	0	Middle	10.7	2.39	10.42	18.73	Vertical	Pass
	1	0	Highest	10.92	2.40	10.44	18.96	Vertical	Pass
Limit	EIRP<2W=33dBm								

Radiated Power (EIRP) for LTE Band 2 / 3M									
Modulation	RB		Channel	Result					Conclusion
	Size	Offset		S G.Level (dBm)	Cable loss	Gain (dBi)	PMeas E.R.P(dBm)	Polarization Of Max. ERP	
QPSK	1	0	Lowest	10.52	2.37	10.40	18.55	Horizontal	Pass
	1	0	Middle	10.41	2.39	10.42	18.44	Horizontal	Pass
	1	0	Highest	10.24	2.40	10.44	18.28	Horizontal	Pass
	1	0	Lowest	11.9	2.37	10.40	19.93	Vertical	Pass
	1	0	Middle	11.74	2.39	10.42	19.77	Vertical	Pass
	1	0	Highest	11.72	2.40	10.44	19.76	Vertical	Pass
16QAM	1	0	Lowest	10.21	2.37	10.40	18.24	Horizontal	Pass
	1	0	Middle	9.97	2.39	10.42	18.00	Horizontal	Pass
	1	0	Highest	10.01	2.40	10.44	18.05	Horizontal	Pass
	1	0	Lowest	11.7	2.37	10.40	19.73	Vertical	Pass
	1	0	Middle	11.27	2.39	10.42	19.30	Vertical	Pass
	1	0	Highest	11.48	2.40	10.44	19.52	Vertical	Pass
Limit	EIRP<2W=33dBm								



Radiated Power (EIRP) for LTE Band 2 / 5M									
Modulation	RB		Channel	Result					Conclusion
	Size	Offset		S G.Level (dBm)	Cable loss	Gain (dBi)	PMeas E.R.P(dBm)	Polarization Of Max. ERP	
QPSK	1	0	Lowest	11.57	2.37	10.40	19.60	Horizontal	Pass
	1	0	Middle	11.34	2.39	10.42	19.37	Horizontal	Pass
	1	0	Highest	11.4	2.40	10.44	19.44	Horizontal	Pass
	1	0	Lowest	13.01	2.37	10.40	21.04	Vertical	Pass
	1	0	Middle	12.8	2.39	10.42	20.83	Vertical	Pass
	1	0	Highest	12.8	2.40	10.44	20.84	Vertical	Pass
16QAM	1	0	Lowest	11.3	2.37	10.40	19.33	Horizontal	Pass
	1	0	Middle	11.02	2.39	10.42	19.05	Horizontal	Pass
	1	0	Highest	11.17	2.40	10.44	19.21	Horizontal	Pass
	1	0	Lowest	12.69	2.37	10.40	20.72	Vertical	Pass
	1	0	Middle	12.52	2.39	10.42	20.55	Vertical	Pass
	1	0	Highest	12.52	2.40	10.44	20.56	Vertical	Pass
Limit	EIRP<2W=33dBm								

Radiated Power (EIRP) for LTE Band 2 / 10M									
Modulation	RB		Channel	Result					Conclusion
	Size	Offset		S G.Level (dBm)	Cable loss	Gain (dBi)	PMeas E.R.P(dBm)	Polarization Of Max. ERP	
QPSK	1	0	Lowest	10.71	2.37	10.40	18.74	Horizontal	Pass
	1	0	Middle	10.75	2.39	10.42	18.78	Horizontal	Pass
	1	0	Highest	10.59	2.40	10.44	18.63	Horizontal	Pass
	1	0	Lowest	12.21	2.37	10.40	20.24	Vertical	Pass
	1	0	Middle	12.14	2.39	10.42	20.17	Vertical	Pass
	1	0	Highest	12.06	2.40	10.44	20.10	Vertical	Pass
16QAM	1	0	Lowest	10.51	2.37	10.40	18.54	Horizontal	Pass
	1	0	Middle	10.49	2.39	10.42	18.52	Horizontal	Pass
	1	0	Highest	10.61	2.40	10.44	18.65	Horizontal	Pass
	1	0	Lowest	11.99	2.37	10.40	20.02	Vertical	Pass
	1	0	Middle	11.91	2.39	10.42	19.94	Vertical	Pass
	1	0	Highest	11.91	2.40	10.44	19.95	Vertical	Pass
Limit	EIRP<2W=33dBm								



Radiated Power (EIRP) for LTE Band 2 / 15M									
Modulation	RB		Channel	Result					Conclusion
	Size	Offset		S G.Level (dBm)	Cable loss	Gain (dBi)	PMeas E.R.P(dBm)	Polarization Of Max. ERP	
QPSK	1	0	Lowest	9.85	2.37	10.40	17.88	Horizontal	Pass
	1	0	Middle	9.39	2.39	10.42	17.42	Horizontal	Pass
	1	0	Highest	9.23	2.40	10.44	17.27	Horizontal	Pass
	1	0	Lowest	11.23	2.37	10.40	19.26	Vertical	Pass
	1	0	Middle	10.82	2.39	10.42	18.85	Vertical	Pass
	1	0	Highest	10.63	2.40	10.44	18.67	Vertical	Pass
16QAM	1	0	Lowest	9.65	2.37	10.40	17.68	Horizontal	Pass
	1	0	Middle	9	2.39	10.42	17.03	Horizontal	Pass
	1	0	Highest	8.95	2.40	10.44	16.99	Horizontal	Pass
	1	0	Lowest	10.97	2.37	10.40	19.00	Vertical	Pass
	1	0	Middle	10.46	2.39	10.42	18.49	Vertical	Pass
	1	0	Highest	10.43	2.40	10.44	18.47	Vertical	Pass
Limit	EIRP<2W=33dBm								

Radiated Power (EIRP) for LTE Band 2 / 20M									
Modulation	RB		Channel	Result					Conclusion
	Size	Offset		S G.Level (dBm)	Cable loss	Gain (dBi)	PMeas E.R.P(dBm)	Polarization Of Max. ERP	
QPSK	1	0	Lowest	11.74	2.37	10.40	19.77	Horizontal	Pass
	1	0	Middle	11.78	2.39	10.42	19.81	Horizontal	Pass
	1	0	Highest	11.82	2.40	10.44	19.86	Horizontal	Pass
	1	0	Lowest	13.13	2.37	10.40	21.16	Vertical	Pass
	1	0	Middle	13.2	2.39	10.42	21.23	Vertical	Pass
	1	0	Highest	13.15	2.40	10.44	21.19	Vertical	Pass
16QAM	1	0	Lowest	11.42	2.37	10.40	19.45	Horizontal	Pass
	1	0	Middle	11.61	2.39	10.42	19.64	Horizontal	Pass
	1	0	Highest	11.54	2.40	10.44	19.58	Horizontal	Pass
	1	0	Lowest	12.86	2.37	10.40	20.89	Vertical	Pass
	1	0	Middle	12.94	2.39	10.42	20.97	Vertical	Pass
	1	0	Highest	12.84	2.40	10.44	20.88	Vertical	Pass
Limit	EIRP<2W=33dBm								



Radiated Power (EIRP) for LTE Band 4 / 1.4M									
Modulation	RB		Channel	Result					Conclusion
	Size	Offset		S G.Level (dBm)	Cable loss	Gain (dBi)	PMeas E.R.P(dBm)	Polarization Of Max. ERP	
QPSK	1	0	Lowest	10.46	2.35	10.13	18.24	Horizontal	Pass
	1	0	Middle	10.32	2.36	10.16	18.12	Horizontal	Pass
	1	0	Highest	10.43	2.37	10.22	18.28	Horizontal	Pass
	1	0	Lowest	11.78	2.35	10.13	19.56	Vertical	Pass
	1	0	Middle	11.82	2.36	10.16	19.62	Vertical	Pass
	1	0	Highest	11.78	2.37	10.22	19.63	Vertical	Pass
16QAM	1	0	Lowest	9.9	2.35	10.13	17.68	Horizontal	Pass
	1	0	Middle	10.44	2.36	10.16	18.24	Horizontal	Pass
	1	0	Highest	10.2	2.37	10.22	18.05	Horizontal	Pass
	1	0	Lowest	11.38	2.35	10.13	19.16	Vertical	Pass
	1	0	Middle	11.74	2.36	10.16	19.54	Vertical	Pass
	1	0	Highest	11.5	2.37	10.22	19.35	Vertical	Pass
Limit	EIRP<1W=30dBm								

Radiated Power (EIRP) for LTE Band 4 / 3M									
Modulation	RB		Channel	Result					Conclusion
	Size	Offset		S G.Level (dBm)	Cable loss	Gain (dBi)	PMeas E.R.P(dBm)	Polarization Of Max. ERP	
QPSK	1	0	Lowest	11.15	2.35	10.13	18.93	Horizontal	Pass
	1	0	Middle	11.1	2.36	10.16	18.90	Horizontal	Pass
	1	0	Highest	10.86	2.37	10.22	18.71	Horizontal	Pass
	1	0	Lowest	12.51	2.35	10.13	20.29	Vertical	Pass
	1	0	Middle	12.42	2.36	10.16	20.22	Vertical	Pass
	1	0	Highest	12.24	2.37	10.22	20.09	Vertical	Pass
16QAM	1	0	Lowest	10.79	2.35	10.13	18.57	Horizontal	Pass
	1	0	Middle	10.75	2.36	10.16	18.55	Horizontal	Pass
	1	0	Highest	10.47	2.37	10.22	18.32	Horizontal	Pass
	1	0	Lowest	12.25	2.35	10.13	20.03	Vertical	Pass
	1	0	Middle	12.21	2.36	10.16	20.01	Vertical	Pass
	1	0	Highest	11.91	2.37	10.22	19.76	Vertical	Pass
Limit	EIRP<1W=30dBm								



Radiated Power (EIRP) for LTE Band 4 / 5M									
Modulation	RB		Channel	Result					Conclusion
	Size	Offset		S G.Level (dBm)	Cable loss	Gain (dBi)	PMeas E.R.P(dBm)	Polarization Of Max. ERP	
QPSK	1	0	Lowest	12.22	2.35	10.13	20.00	Horizontal	Pass
	1	0	Middle	11.98	2.36	10.16	19.78	Horizontal	Pass
	1	0	Highest	11.85	2.37	10.22	19.70	Horizontal	Pass
	1	0	Lowest	13.69	2.35	10.13	21.47	Vertical	Pass
	1	0	Middle	13.38	2.36	10.16	21.18	Vertical	Pass
	1	0	Highest	13.33	2.37	10.22	21.18	Vertical	Pass
16QAM	1	0	Lowest	12.08	2.35	10.13	19.86	Horizontal	Pass
	1	0	Middle	11.86	2.36	10.16	19.66	Horizontal	Pass
	1	0	Highest	11.89	2.37	10.22	19.74	Horizontal	Pass
	1	0	Lowest	13.4	2.35	10.13	21.18	Vertical	Pass
	1	0	Middle	13.3	2.36	10.16	21.10	Vertical	Pass
	1	0	Highest	13.21	2.37	10.22	21.06	Vertical	Pass
Limit	EIRP<1W=30dBm								

Radiated Power (EIRP) for LTE Band 4 / 10M									
Modulation	RB		Channel	Result					Conclusion
	Size	Offset		S G.Level (dBm)	Cable loss	Gain (dBi)	PMeas E.R.P(dBm)	Polarization Of Max. ERP	
QPSK	1	0	Lowest	11.7	2.35	10.13	19.48	Horizontal	Pass
	1	0	Middle	11.46	2.36	10.16	19.26	Horizontal	Pass
	1	0	Highest	11.35	2.37	10.22	19.20	Horizontal	Pass
	1	0	Lowest	13.03	2.35	10.13	20.81	Vertical	Pass
	1	0	Middle	12.79	2.36	10.16	20.59	Vertical	Pass
	1	0	Highest	12.73	2.37	10.22	20.58	Vertical	Pass
16QAM	1	0	Lowest	11.6	2.35	10.13	19.38	Horizontal	Pass
	1	0	Middle	11.32	2.36	10.16	19.12	Horizontal	Pass
	1	0	Highest	11.07	2.37	10.22	18.92	Horizontal	Pass
	1	0	Lowest	12.91	2.35	10.13	20.69	Vertical	Pass
	1	0	Middle	12.62	2.36	10.16	20.42	Vertical	Pass
	1	0	Highest	12.44	2.37	10.22	20.29	Vertical	Pass
Limit	EIRP<1W=30dBm								



Radiated Power (EIRP) for LTE Band 4 / 15M									
Modulation	RB		Channel	Result					Conclusion
	Size	Offset		S G.Level (dBm)	Cable loss	Gain (dBi)	PMeas E.R.P(dBm)	Polarization Of Max. ERP	
QPSK	1	0	Lowest	10.41	2.35	10.13	18.19	Horizontal	Pass
	1	0	Middle	10.21	2.36	10.16	18.01	Horizontal	Pass
	1	0	Highest	10.34	2.37	10.22	18.19	Horizontal	Pass
	1	0	Lowest	11.88	2.35	10.13	19.66	Vertical	Pass
	1	0	Middle	11.65	2.36	10.16	19.45	Vertical	Pass
	1	0	Highest	11.69	2.37	10.22	19.54	Vertical	Pass
16QAM	1	0	Lowest	10.18	2.35	10.13	17.96	Horizontal	Pass
	1	0	Middle	10.06	2.36	10.16	17.86	Horizontal	Pass
	1	0	Highest	10.04	2.37	10.22	17.89	Horizontal	Pass
	1	0	Lowest	11.68	2.35	10.13	19.46	Vertical	Pass
	1	0	Middle	11.55	2.36	10.16	19.35	Vertical	Pass
	1	0	Highest	11.41	2.37	10.22	19.26	Vertical	Pass
Limit	EIRP<1W=30dBm								

Radiated Power (EIRP) for LTE Band 4 / 20M									
Modulation	RB		Channel	Result					Conclusion
	Size	Offset		S G.Level (dBm)	Cable loss	Gain (dBi)	PMeas E.R.P(dBm)	Polarization Of Max. ERP	
QPSK	1	0	Lowest	12.23	2.35	10.13	20.01	Horizontal	Pass
	1	0	Middle	12.25	2.36	10.16	20.05	Horizontal	Pass
	1	0	Highest	12.13	2.37	10.22	19.98	Horizontal	Pass
	1	0	Lowest	13.7	2.35	10.13	21.48	Vertical	Pass
	1	0	Middle	13.69	2.36	10.16	21.49	Vertical	Pass
	1	0	Highest	13.45	2.37	10.22	21.30	Vertical	Pass
16QAM	1	0	Lowest	12.02	2.35	10.13	19.80	Horizontal	Pass
	1	0	Middle	11.99	2.36	10.16	19.79	Horizontal	Pass
	1	0	Highest	11.83	2.37	10.22	19.68	Horizontal	Pass
	1	0	Lowest	13.49	2.35	10.13	21.27	Vertical	Pass
	1	0	Middle	13.34	2.36	10.16	21.14	Vertical	Pass
	1	0	Highest	13.17	2.37	10.22	21.02	Vertical	Pass
Limit	EIRP<1W=30dBm								



Radiated Power (EIRP) for LTE Band 5 / 1.4M									
Modulation	RB		Channel	Result					Conclusion
	Size	Offset		S G.Level (dBm)	Cable loss	Gain (dBi)	PMeas E.R.P(dBm)	Polarization Of Max. ERP	
QPSK	1	0	Lowest	13.9	1.27	6.70	19.33	Horizontal	Pass
	1	0	Middle	14.08	1.28	6.70	19.50	Horizontal	Pass
	1	0	Highest	13.98	1.29	6.70	19.39	Horizontal	Pass
	1	0	Lowest	15.27	1.27	6.70	20.70	Vertical	Pass
	1	0	Middle	15.47	1.28	6.70	20.89	Vertical	Pass
	1	0	Highest	15.29	1.29	6.70	20.70	Vertical	Pass
16QAM	1	0	Lowest	13.72	1.27	6.70	19.15	Horizontal	Pass
	1	0	Middle	13.88	1.28	6.70	19.30	Horizontal	Pass
	1	0	Highest	13.6	1.29	6.70	19.01	Horizontal	Pass
	1	0	Lowest	15.07	1.27	6.70	20.50	Vertical	Pass
	1	0	Middle	15.23	1.28	6.70	20.65	Vertical	Pass
	1	0	Highest	15.09	1.29	6.70	20.50	Vertical	Pass
Limit	EIRP<7W=38.45dBm								

Radiated Power (EIRP) for LTE Band 5 / 3M									
Modulation	RB		Channel	Result					Conclusion
	Size	Offset		S G.Level (dBm)	Cable loss	Gain (dBi)	PMeas E.R.P(dBm)	Polarization Of Max. ERP	
QPSK	1	0	Lowest	14.31	1.27	6.70	19.74	Horizontal	Pass
	1	0	Middle	14.34	1.28	6.70	19.76	Horizontal	Pass
	1	0	Highest	14.49	1.29	6.70	19.90	Horizontal	Pass
	1	0	Lowest	15.67	1.27	6.70	21.10	Vertical	Pass
	1	0	Middle	15.65	1.28	6.70	21.07	Vertical	Pass
	1	0	Highest	15.9	1.29	6.70	21.31	Vertical	Pass
16QAM	1	0	Lowest	14.19	1.27	6.70	19.62	Horizontal	Pass
	1	0	Middle	14	1.28	6.70	19.42	Horizontal	Pass
	1	0	Highest	14.27	1.29	6.70	19.68	Horizontal	Pass
	1	0	Lowest	15.55	1.27	6.70	20.98	Vertical	Pass
	1	0	Middle	15.34	1.28	6.70	20.76	Vertical	Pass
	1	0	Highest	15.63	1.29	6.70	21.04	Vertical	Pass
Limit	EIRP<7W=38.45dBm								



Radiated Power (EIRP) for LTE Band 5 / 5M									
Modulation	RB		Channel	Result					Conclusion
	Size	Offset		S G.Level (dBm)	Cable loss	Gain (dBi)	PMeas E.R.P(dBm)	Polarization Of Max. ERP	
QPSK	1	0	Lowest	13.41	1.27	6.70	18.84	Horizontal	Pass
	1	0	Middle	13.65	1.28	6.70	19.07	Horizontal	Pass
	1	0	Highest	13.82	1.29	6.70	19.23	Horizontal	Pass
	1	0	Lowest	14.89	1.27	6.70	20.32	Vertical	Pass
	1	0	Middle	15.03	1.28	6.70	20.45	Vertical	Pass
	1	0	Highest	15.19	1.29	6.70	20.60	Vertical	Pass
16QAM	1	0	Lowest	13.29	1.27	6.70	18.72	Horizontal	Pass
	1	0	Middle	13.23	1.28	6.70	18.65	Horizontal	Pass
	1	0	Highest	13.34	1.29	6.70	18.75	Horizontal	Pass
	1	0	Lowest	14.78	1.27	6.70	20.21	Vertical	Pass
	1	0	Middle	14.72	1.28	6.70	20.14	Vertical	Pass
	1	0	Highest	14.82	1.29	6.70	20.23	Vertical	Pass
Limit	EIRP<7W=38.45dBm								

Radiated Power (EIRP) for LTE Band 5 / 10M									
Modulation	RB		Channel	Result					Conclusion
	Size	Offset		S G.Level (dBm)	Cable loss	Gain (dBi)	PMeas E.R.P(dBm)	Polarization Of Max. ERP	
QPSK	1	0	Lowest	15.09	1.27	6.70	20.52	Horizontal	Pass
	1	0	Middle	15.1	1.28	6.70	20.52	Horizontal	Pass
	1	0	Highest	15.01	1.29	6.70	20.42	Horizontal	Pass
	1	0	Lowest	16.42	1.27	6.70	21.85	Vertical	Pass
	1	0	Middle	16.44	1.28	6.70	21.86	Vertical	Pass
	1	0	Highest	16.44	1.29	6.70	21.85	Vertical	Pass
16QAM	1	0	Lowest	14.87	1.27	6.70	20.30	Horizontal	Pass
	1	0	Middle	14.93	1.28	6.70	20.35	Horizontal	Pass
	1	0	Highest	14.73	1.29	6.70	20.14	Horizontal	Pass
	1	0	Lowest	16.25	1.27	6.70	21.68	Vertical	Pass
	1	0	Middle	16.24	1.28	6.70	21.66	Vertical	Pass
	1	0	Highest	16.17	1.29	6.70	21.58	Vertical	Pass
Limit	EIRP<7W=38.45dBm								





Radiated Power (EIRP) for LTE Band 12 / 1.4M									
Modulation	RB		Channel	Result					Conclusion
	Size	Offset		S G.Level (dBm)	Cable loss	Gain (dBi)	PMeas E.R.P(dBm)	Polarization Of Max. ERP	
QPSK	1	0	Lowest	13.61	1.21	6.40	18.80	Horizontal	Pass
	1	0	Middle	13.68	1.22	6.40	18.86	Horizontal	Pass
	1	0	Highest	13.78	1.23	6.40	18.95	Horizontal	Pass
	1	0	Lowest	15.1	1.21	6.40	20.29	Vertical	Pass
	1	0	Middle	15.09	1.22	6.40	20.27	Vertical	Pass
	1	0	Highest	15.11	1.23	6.40	20.28	Vertical	Pass
16QAM	1	0	Lowest	13.49	1.21	6.40	18.68	Horizontal	Pass
	1	0	Middle	13.38	1.22	6.40	18.56	Horizontal	Pass
	1	0	Highest	13.63	1.23	6.40	18.80	Horizontal	Pass
	1	0	Lowest	14.89	1.21	6.40	20.08	Vertical	Pass
	1	0	Middle	14.86	1.22	6.40	20.04	Vertical	Pass
	1	0	Highest	15.01	1.23	6.40	20.18	Vertical	Pass
Limit	EIRP<2W=33dBm								

Radiated Power (EIRP) for LTE Band 12 / 3M									
Modulation	RB		Channel	Result					Conclusion
	Size	Offset		S G.Level (dBm)	Cable loss	Gain (dBi)	PMeas E.R.P(dBm)	Polarization Of Max. ERP	
QPSK	1	0	Lowest	14.33	1.21	6.40	19.52	Horizontal	Pass
	1	0	Middle	14.18	1.22	6.40	19.36	Horizontal	Pass
	1	0	Highest	14.27	1.23	6.40	19.44	Horizontal	Pass
	1	0	Lowest	15.79	1.21	6.40	20.98	Vertical	Pass
	1	0	Middle	15.67	1.22	6.40	20.85	Vertical	Pass
	1	0	Highest	15.68	1.23	6.40	20.85	Vertical	Pass
16QAM	1	0	Lowest	13.95	1.21	6.40	19.14	Horizontal	Pass
	1	0	Middle	13.98	1.22	6.40	19.16	Horizontal	Pass
	1	0	Highest	14.09	1.23	6.40	19.26	Horizontal	Pass
	1	0	Lowest	15.44	1.21	6.40	20.63	Vertical	Pass
	1	0	Middle	15.42	1.22	6.40	20.60	Vertical	Pass
	1	0	Highest	15.42	1.23	6.40	20.59	Vertical	Pass
Limit	EIRP<2W=33dBm								



Radiated Power (EIRP) for LTE Band 12 / 5M									
Modulation	RB		Channel	Result					Conclusion
	Size	Offset		S G.Level (dBm)	Cable loss	Gain (dBi)	PMeas E.R.P(dBm)	Polarization Of Max. ERP	
QPSK	1	0	Lowest	14.48	1.21	6.40	19.67	Horizontal	Pass
	1	0	Middle	14.46	1.22	6.40	19.64	Horizontal	Pass
	1	0	Highest	14.57	1.23	6.40	19.74	Horizontal	Pass
	1	0	Lowest	15.84	1.21	6.40	21.03	Vertical	Pass
	1	0	Middle	15.79	1.22	6.40	20.97	Vertical	Pass
	1	0	Highest	15.96	1.23	6.40	21.13	Vertical	Pass
16QAM	1	0	Lowest	14.28	1.21	6.40	19.47	Horizontal	Pass
	1	0	Middle	14.03	1.22	6.40	19.21	Horizontal	Pass
	1	0	Highest	14.14	1.23	6.40	19.31	Horizontal	Pass
	1	0	Lowest	15.74	1.21	6.40	20.93	Vertical	Pass
	1	0	Middle	15.51	1.22	6.40	20.69	Vertical	Pass
	1	0	Highest	15.56	1.23	6.40	20.73	Vertical	Pass
Limit	EIRP<2W=33dBm								

Radiated Power (EIRP) for LTE Band 12 / 10M									
Modulation	RB		Channel	Result					Conclusion
	Size	Offset		S G.Level (dBm)	Cable loss	Gain (dBi)	PMeas E.R.P(dBm)	Polarization Of Max. ERP	
QPSK	1	0	Lowest	14.97	1.21	6.40	20.16	Horizontal	Pass
	1	0	Middle	14.9	1.22	6.40	20.08	Horizontal	Pass
	1	0	Highest	14.55	1.23	6.40	19.72	Horizontal	Pass
	1	0	Lowest	16.29	1.21	6.40	21.48	Vertical	Pass
	1	0	Middle	16.34	1.22	6.40	21.52	Vertical	Pass
	1	0	Highest	16.04	1.23	6.40	21.21	Vertical	Pass
16QAM	1	0	Lowest	14.52	1.21	6.40	19.71	Horizontal	Pass
	1	0	Middle	14.66	1.22	6.40	19.84	Horizontal	Pass
	1	0	Highest	14.54	1.23	6.40	19.71	Horizontal	Pass
	1	0	Lowest	15.99	1.21	6.40	21.18	Vertical	Pass
	1	0	Middle	16.01	1.22	6.40	21.19	Vertical	Pass
	1	0	Highest	15.88	1.23	6.40	21.05	Vertical	Pass
Limit	EIRP<2W=33dBm								



Radiated Power (EIRP) for LTE Band 13 / 5M									
Modulation	RB		Channel	Result					Conclusion
	Size	Offset		S G.Level (dBm)	Cable loss	Gain (dBi)	PMeas E.R.P(dBm)	Polarization Of Max. ERP	
QPSK	1	0	Lowest	14.15	1.21	6.40	19.34	Horizontal	Pass
	1	0	Middle	14.49	1.22	6.40	19.67	Horizontal	Pass
	1	0	Highest	14.6	1.23	6.40	19.77	Horizontal	Pass
	1	0	Lowest	15.58	1.21	6.40	20.77	Vertical	Pass
	1	0	Middle	15.85	1.22	6.40	21.03	Vertical	Pass
	1	0	Highest	15.98	1.23	6.40	21.15	Vertical	Pass
16QAM	1	0	Lowest	14.11	1.21	6.40	19.30	Horizontal	Pass
	1	0	Middle	14	1.22	6.40	19.18	Horizontal	Pass
	1	0	Highest	14.26	1.23	6.40	19.43	Horizontal	Pass
	1	0	Lowest	15.48	1.21	6.40	20.67	Vertical	Pass
	1	0	Middle	15.48	1.22	6.40	20.66	Vertical	Pass
	1	0	Highest	15.67	1.23	6.40	20.84	Vertical	Pass
Limit	ERP<3W=34.77dBm								

Radiated Power (EIRP) for LTE Band 13 / 10M									
Modulation	RB		Channel	Result					Conclusion
	Size	Offset		S G.Level (dBm)	Cable loss	Gain (dBi)	PMeas E.R.P(dBm)	Polarization Of Max. ERP	
QPSK	1	0	Middle	14.71	1.22	6.40	19.89	Horizontal	Pass
	1	0	Middle	16.1	1.22	6.40	21.28	Vertical	Pass
16QAM	1	0	Middle	14.74	1.22	6.40	19.92	Horizontal	Pass
	1	0	Middle	16.12	1.22	6.40	21.30	Vertical	Pass
Limit	ERP<3W=34.77dBm								