



# TEST REPORT

**Report No. :** HST201412-4609-FCC  
**Product description:** Wireless Transmitter  
**Model/Type :** AWX6070B  
**Applicant's name:** H&F TECHNOLOGIES,IN  
CORPORATED



# TEST REPORT

**FCC Part 74.861e: 2014**

**FCCID: 2ADV7AWX6070B**

**Report Reference No. ....:** HST201412-4609-FCC

Tested by (+ signature) .....: Yanbin Xing

Review by (+ signature) .....: Sandy Yu

Approved by (+ signature) .....: Robin Peng

Date of issue .....: Jan. 10, 2015

Total number of pages .....: 28 Pages

**Testing Laboratory.....:** Guangdong Environment Radiation Monitoring Center.  
(Accredited by CNAS, Accredited Number: L5539)  
FCC- Registration No: 667318 on on Sep. 29, 2009

Address .....: No.91, Dongguan Zhuang Road, Guangzhou City, Guangdong Province,  
China

**Applicant's name .....**: H&F TECHNOLOGIES,IN CORPORATED

Address .....: 650 FLINN AVENUE MOORPARK,CA 93021 USA

**Manufacturer's name .....**: Enping Karsect Electronics Co., Ltd

Address .....: No. F45-1, District F, Foreign and Private Capital Industrial Zone, Enping,  
Guangdong, China

**Test specification.....:** Entrusted testing

Standard.....: FCC Part 74.861e: 2014

Non-standard test method.....: N/A

**Test Report Form No. ....:** N/A

Test Report Form(s) Originator ..: N/A

**Test item description.....:** Wireless Transmitter

Trade Mark.....: Audio 2000's

Model/Type reference .....: AWX6070B

Ratings .....: 3.0Vdc 2\*AA Batteries

## TABLE OF CONTENT

	TEST REPORT .....	1
1	Test Summary .....	3
2	General Information.....	4
	2.1 Client Information .....	4
	2.2 General Description of E.U.T. ....	4
	2.3 Details of E.U.T. ....	4
	2.4 Description of Support Units.....	4
	2.5 Standards Applicable for Testing .....	4
	2.6 Test Location .....	5
	2.7 Deviation from Standards.....	5
	2.8 Abnormalities from Standard Conditions.....	5
3	Test Results .....	6
	3.1 E.U.T. Operation Condition .....	6
	3.2 Test Procedure & Measurement Data.....	7
	3.2.1 Carrier Radiated Power & Radiated Spurious Emissions.....	7
	3.2.2 Occupied Bandwidth .....	10
	3.2.3 Frequency Stability.....	13
	3.2.4 Modulation Characteristics.....	15
	3.2.5 Photographs .....	18
	3.2.6 EUT Constructional Details .....	20
	3.2.7 Antenna Photo .....	27
4	Equipments Used during Test.....	28

## 1 TEST SUMMARY

Test	Test Requirement	Standard Paragraph	Result
Carrier Radiated Power	FCC Part 2.1046	74.861 e) 1) 54–72, 76–88 & 174–216 MHz bands, 50 mW 470–608 and 614–806 MHz bands, 250 mW	PASS
Modulation Deviation	FCC Part 2.1047	74.861 e) 3) Within 75kHz	PASS
Frequency Stability	FCC Part 2.1055	74.861 e) 4) <0.005% 50 ppm	PASS
Operating Bandwidth	FCC Part 2.1049 c)	74.861 e) 5) Within 200kHz	PASS
Unwanted Radiation	FCC Part 2.1049 c)	74.861 e) 6) within the mask	PASS
Radiated Spurious Emission	FCC Part 2.1053	74.861 d) 3) < 43+10lgP(W) dB	PASS

Remark:

♣The EUT has one channel, which is located in the range 614.200 MHz to 697.800MHz.

Only test result of sample of in channels 614.2 MHz, 696.1 MHz and 697.8 MHz were recorded in this report.

## 2 GENERAL INFORMATION

### 2.1 Client Information

Applicant: H&F TECHNOLOGIES,IN CORPORATED  
Address of Applicant: 650 FLINN AVENUE MOORPARK,CA 93021 USA

### 2.2 General Description of E.U.T.

EUT Name: Wireless Transmitter  
Item No.: Listed on the 3<sup>rd</sup> page  
Serial No.: Not supplied by client

### 2.3 Details of E.U.T.

Power Supply: 3.0Vdc 2\*AA Batteries  
Main Function: Wireless microphone system with an associated receiver for transmitting voice.

The final amplifier Collector Voltage and Collector Current are 0.3V & 3.5mA respectively.

Necessary Bandwidth:  $2M+2DK= 2 \times 40 \text{ kHz} + 2 \times 20\text{kHz} \times 1.0 = 120 \text{ kHz}$

16 channels for each microphone; Modulation: F3E; Antenna Type: Fixed; Gained: 0 dBi

### 2.4 Description of Support Units

Connect the EUT to mains power, and then test the EUT with signal generator.

### 2.5 Standards Applicable for Testing

The standard used was FCC PART 74.861e, 2014

The EUT belongs to licensed low power auxiliary devices.

## 2.6 Test Location

ERP & Spurious Emission tests were subcontracted to the laboratory following-  
Guangdong Environment Radiation Monitoring Center.  
860, South Guangzhou Avenue, Guangzhou, P.R. China  
Tel: 86-20-84281721 Fax: N/A Email: Kevin.ma@nemko.com

FCC- Registration No: 667318 on on Sep. 29, 2009  
CNAS- Accreditation No: L5539.

## 2.7 Deviation from Standards

None.

## 2.8 Abnormalities from Standard Conditions

None.

### 3 TEST RESULTS

#### 3.1 E.U.T. Operation Condition

Operating Environment:

Temperature: 20.0 °C~25 °C

Humidity: 50 ~70% RH

Atmospheric Pressure: 980~1012 mbar

EUT Operation: Test the EUT in transmitting mode.

Performed Carrier Radiated Power & Radiated Spurious Emissions testing in highest/ middle / lowest frequency spots within the range, and performed Occupied Bandwidth, Frequency Stability & Modulation Characteristics in middle frequency spot.

### 3.2 Test Procedure & Measurement Data

#### 3.2.1 Carrier Radiated Power & Radiated Spurious Emissions

Test Requirement: FCC CFR 47 Part 74.861 e) 1) & d) 3)

Test Method: EIA/TIA 603-D:2010 section 2.2,  
FCC CFR 47 Part 2.1047 & 1053

Test Date: Dec. 17, 2014

Measurement Distance: 3m (Semi-Anechoic Chamber)

Test Requirement:

(d) For low power auxiliary stations operating in the bands other than those allocated for TV broadcasting, the following technical requirements are imposed.

(3) The occupied bandwidth shall not be greater than that necessary for satisfactory transmission and, in any event, an emission appearing on any discrete frequency outside the authorized band shall be attenuated, at least,  $43+10 \log^{10}$  (mean output power, in watts) dB below the mean output power of the transmitting unit.

(e) For low power auxiliary stations operating in the bands allocated for TV broadcasting, the following technical requirements apply:

(1) The power of the measured unmodulated carrier power at the output of the transmitter power amplifier (antenna input power) may not exceed the following:

(i) 54–72, 76–88, and 174–216 MHz bands—50 mW

(ii) 470–608 and 614–806 MHz bands—250 mW

Test Procedure:

The procedure used was EIA/TIA 603-D:2010. The receiver was scanned from the lowest radio frequency generated in the equipment to the tenth harmonic of the carrier. When an emission was found, the table was rotated to produce the maximum signal strength. An initial pre-scan was performed for in peak detection mode using the receiver. The EUT was measured for both the Horizontal and Vertical polarities and performed a pre-test three orthogonal planes.

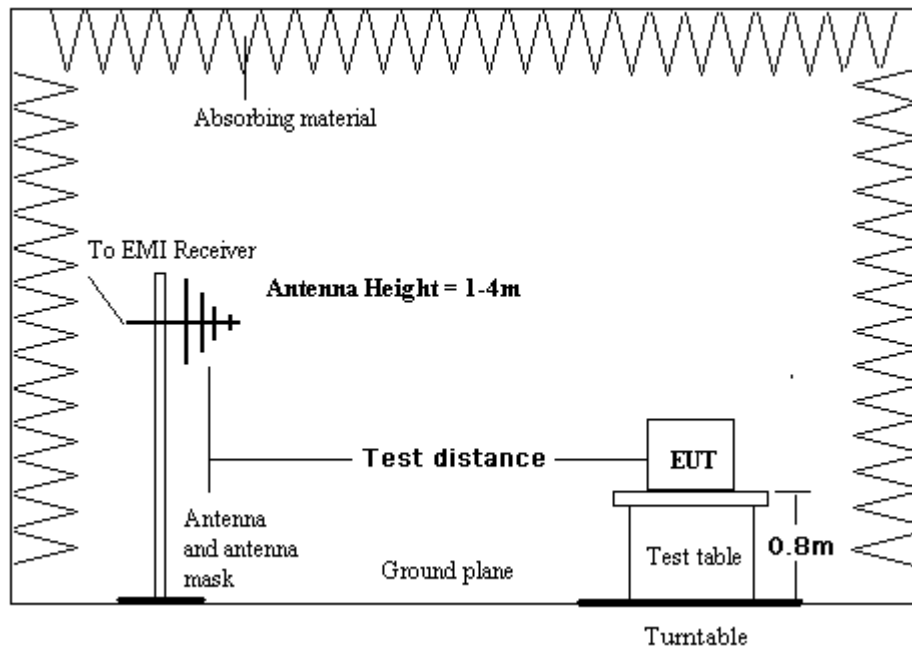
The field strength is calculated by adding the Antenna Factor, Cable Factor & Preamplifier. The basic equation with a sample calculation is as follows:

Final Test Level = Receiver Reading + Antenna Factor + Cable Factor – Preamplifier Factor

An initial pre-scan was performed in the 3m chamber using the spectrum analyzer in peak detection mode. Quasi-peak measurements were conducted based on the peak sweep graph. The EUT was measured by Bilog antenna with 2 orthogonal polarities

Remove the EUT and replace it with substitution antenna. A signal generator was connected to the substitution antenna by a non-radiating cable. The absolute levels of the Carrier Radiated Power and spurious emissions were measured by the substitution.

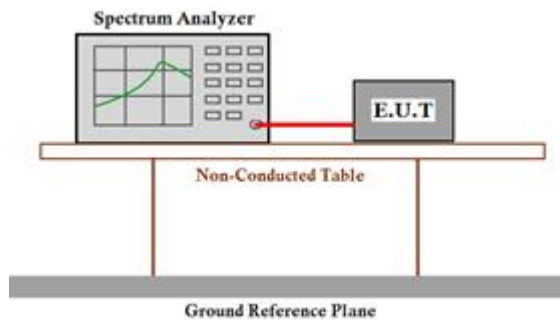




Conducted output power:

Remove the antenna from the EUT and then connect a low attenuation RF cable from the antenna port to the spectrum.

Set the spectrum analyzer: RBW = 300 kHz. VBW >= RBW. Span=2MHz, Sweep = auto; Detector Function = Peak (Max. hold).



**Test Result:**

Carrier Frequency (MHz)	Factual Level dBm (mW)	conducted output power dBm (mW)	Limit in 74.861 e) 1)
614.200	11.0dBm(i.e.12.59 mW)	10.9dBm(i.e.12.30 mW)	24 dBm (i.e. 250 mW)
696.100	10.8dBm(i.e.12.02 mW)	10.7dBm(i.e.11.75 mW)	24 dBm (i.e. 250 mW)
697.800	10.8dBm(i.e. 12.02 mW)	10.7dBm(i.e. 11.75 mW)	24 dBm (i.e. 250 mW)

**The Factual Level is ERP value.**

**Radiated spurious emissions:**

614.200 MHz					
Spurious Emission Frequency (MHz)	Horizontal		Vertical		Limit (dBm)
	Factual Level (dBm)	Margin(dB)	Factual Level (dBm)	Margin(dB)	
307.100	<-43	NA	<-43	NA	-13
1228.400	-33.2	20.2	-32.3	19.3	-13
1842.600	-25.2	12.2	-16.8	3.8	-13
2456.800	-44.2	31.2	-38.5	25.5	-13
3071.000	<-43	NA	-42.0	29.0	-13
3685.200	<-43	NA	<-43	NA	-13
4299.400	<-43	NA	<-43	NA	-13
4913.600	<-43	NA	<-43	NA	-13
5527.800	<-43	NA	<-43	NA	-13
6142.000	<-43	NA	<-43	NA	-13
696.100 MHz					
348.050	<-43	NA	<-43	NA	-13
1392.200	-33.9	20.9	-32.6	19.6	-13
2088.300	-26.2	13.2	-17.2	4.2	-13
2784.400	-44.0	31.0	-38.7	25.7	-13
3480.500	<-43	NA	-42.2	29.2	-13
4176.600	<-43	NA	<-43	NA	-13
4872.700	<-43	NA	<-43	NA	-13
5568.800	<-43	NA	<-43	NA	-13
6264.900	<-43	NA	<-43	NA	-13
6961.000	<-43	NA	<-43	NA	-13
697.800 MHz					
303.900	<-43	NA	<-43	NA	-13
1215.600	-33.4	20.4	-32.4	19.4	-13
1823.400	-26.1	13.1	-17.8	4.8	-13
2431.200	-44.2	31.2	-38.4	25.4	-13
3039.000	<-43	NA	-42.2	29.2	-13
3646.800	<-43	NA	<-43	NA	-13
4254.600	<-43	NA	<-43	NA	-13
4862.400	<-43	NA	<-43	NA	-13
5470.200	<-43	NA	<-43	NA	-13
6078.000	<-43	NA	<-43	NA	-13

**The Factual Level is ERP value.**

The peak emission of other frequency in rang from 30MHz up to 10 times carrier were 25dB lower than the limit, hence no data was recorded in the report.

NA: Not applicable, since the level is over 30dB lower than the limit.

**TEST RESULTS: The unit does meet the FCC requirements.**

### 3.2.2 Occupied Bandwidth

Test Requirement: FCC CFR 47 Part 74.e) 5) & 6)

Test Method: FCC CFR 47 Part 2.1049 f) 2 )

Test Date: Dec. 17, 2014

Requirements:

(e) For low power auxiliary stations operating in the bands allocated for TV broadcasting, the following technical requirements apply:

(5) The operating bandwidth shall not exceed 200 kHz.

(6) The mean power of emissions shall be attenuated below the mean output power of the transmitter in accordance with the following schedule:

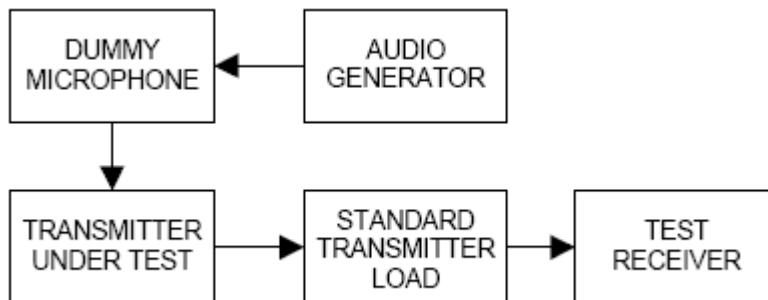
(i) On any frequency removed from the operating frequency by more than 50 percent up to and including 100 percent of the authorized bandwidth: at least 25dB;

(ii) On any frequency removed from the operating frequency by more than 100 percent up to and including 250 percent of the authorized bandwidth: at least 35dB;

(iii) On any frequency removed from the operating frequency by more than 250 percent of the authorized bandwidth: at least  $43+10\log_{10}$  (mean output power in watts) dB.

#### Test Procedure

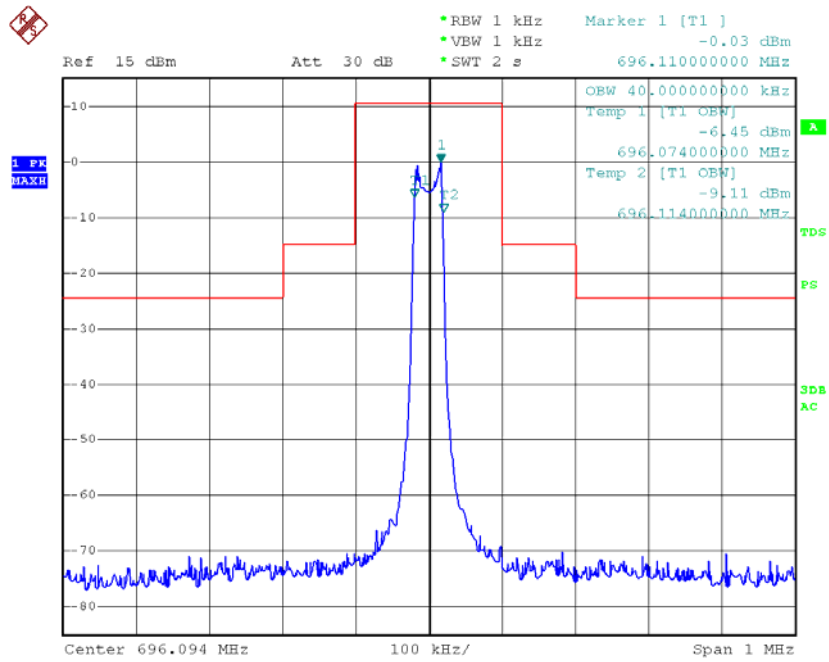
Setup



Input 2500Hz signal to the microphone, find the 50% rated deviation, add the level 16dB, test this status the 99% occupied bandwidth and record it.

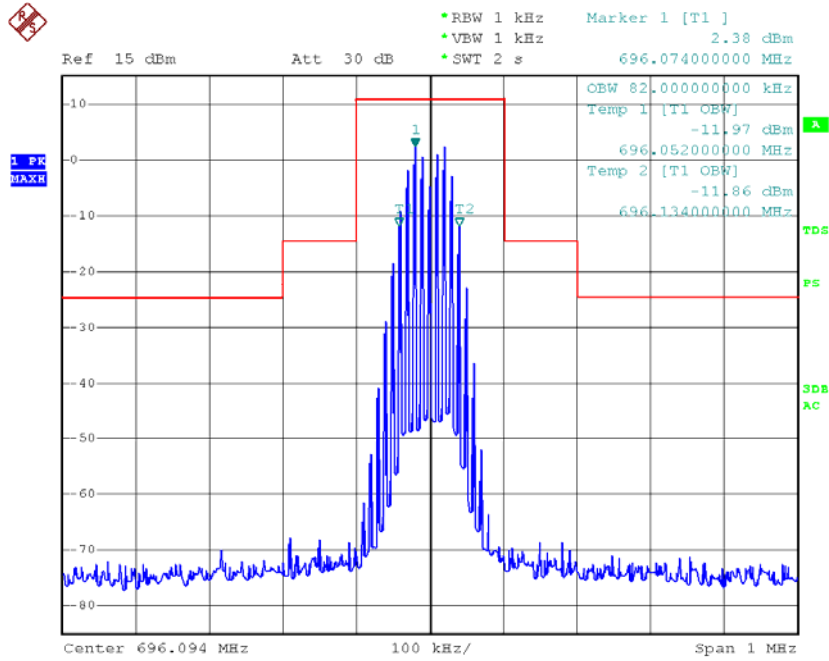
Test Result: The graph as below, represents the emissions take for this device.

Occupied Bandwidth ( 99% of total power): 40.0 kHz.



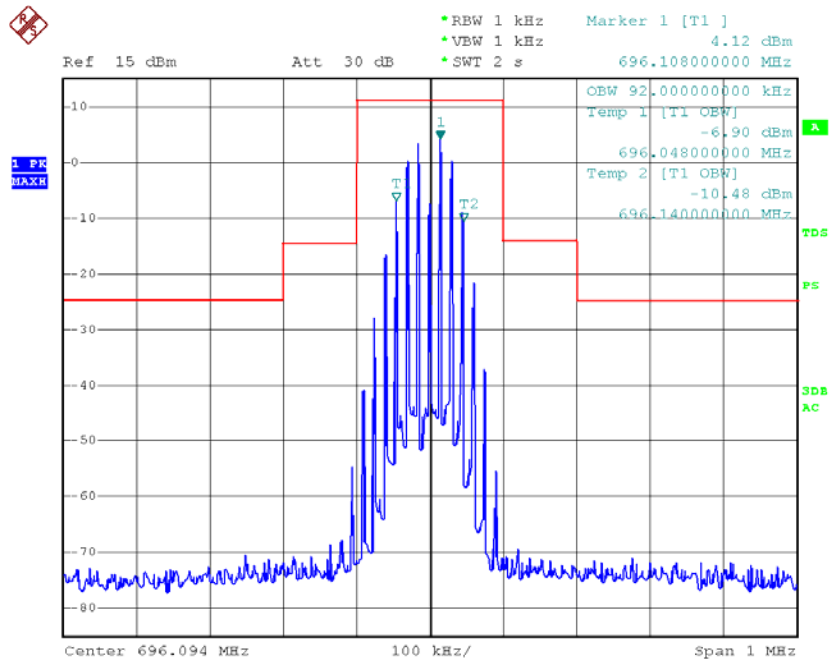
Date: 7.JAN.2015 08:40:04

Emission Mask: input with 10 kHz AF, 50% modulation + 16dB.



Date: 7.JAN.2015 08:39:22

Emission Mask: input with 15 kHz AF, 50% modulation + 16dB.



Date: 7.JAN.2015 08:38:49

**Test results: The unit does meet the FCC requirements.**

### 3.2.3 Frequency Stability

Test Requirement: FCC CFR 47 Part 74.e) 4)

Test Method: FCC CFR 47 Part 2.1055

Test Date: Dec. 17, 2014

Requirements: +/-50 ppm

(e) For low power auxiliary stations operating in the bands allocated for TV broadcasting, the following technical requirements apply:

(4) The frequency tolerance of the transmitter shall be 0.005 percent.

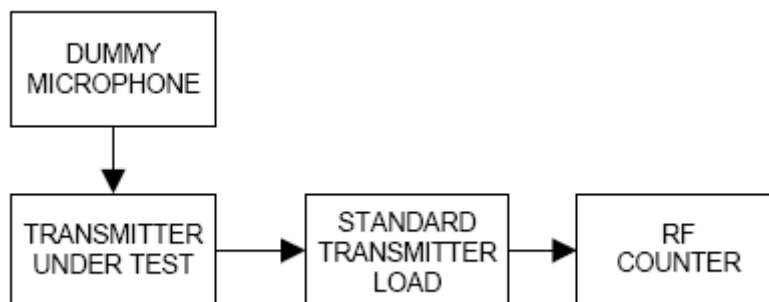
#### Test Procedure:

##### Frequency stability versus Environmental Temperature

The equipment under test was connected to an external DC power supply and the RF output was connected to a frequency counter via feed through attenuators. The EUT was placed inside the temperature chamber. After the temperature stabilized for approximately 20 minutes, the frequency of the output signal was recorded from the counter.

##### Frequency Stability versus Input Voltage

At room temperature ( $25 \pm 5^{\circ}\text{C}$ ), an external variable DC power supply was connected to the EUT. The frequency of the transmitter was measured for 115%, 100% and 85% of the nominal operating input voltage. For hand carried, battery powered equipment, reduce primary supply voltage to the battery operating end point which shall be specified by the manufacturer.



**Test Result:**

Assigned Frequency: 614.2MHz/ 696.100 MHz/ 697.800MHz				
Environment Temperature (°C)	Power Supplied (Vdc)	Frequency Measure with Time Elapsed Total emission within		
		+/-30.71kHz	+/-34.80kHz	+/-34.89kHz
50	3.0	-6.7	-7.3	-7.2
40	3.0	7.2	7.4	7.7
30	3.0	7.3	7.9	7.8
20	3.0	-6.4	-6.8	-7.3
10	3.0	-6.3	-5.7	-7.2
0	3.0	16.5	13.5	18.3
-10	3.0	-6.2	-6.7	-5.2
-20	3.0	-18.2	-16.2	-15.2
-30	3.0	-16.4	-17.1	-19.4
Environment Temperature (°C)	Power Supplied (Vdc)	Frequency Measure with Time Elapsed Total emission within		
		+/-30.71kHz	+/-34.80kHz	+/-34.89kHz
25	3.0	-4.8	-4.2	-3.8
25	2.8	1.2	0.6	0.9
25	2.6	1.5	1.4	1.7
25	2.4	-3.7	-4.3	-3.9

The EUT end point: 2.4Vdc

**The results: The unit does meet the FCC requirements.**

3.2.4 Modulation Characteristics

Test Requirement: FCC CFR 47 Part 74.e) 3)

Test Method: FCC CFR 47 Part 2.1047

Test Date: Dec. 17, 2014

Requirements:

(e) For low power auxiliary stations operating in the bands allocated for TV broadcasting, the following technical requirements apply:

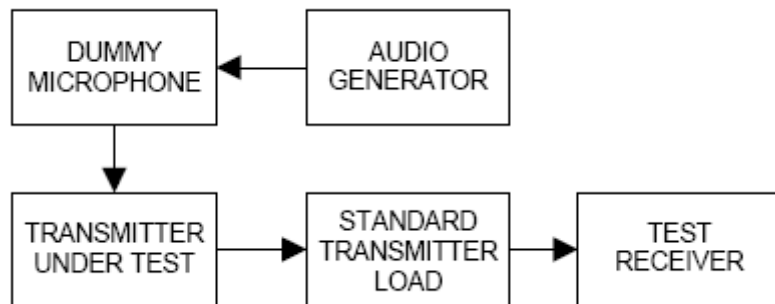
(3) Any form of modulation may be used. A maximum deviation of  $\pm 75$  kHz is permitted when frequency modulation is employed.

Test Procedure:

**Audio Frequency Response**

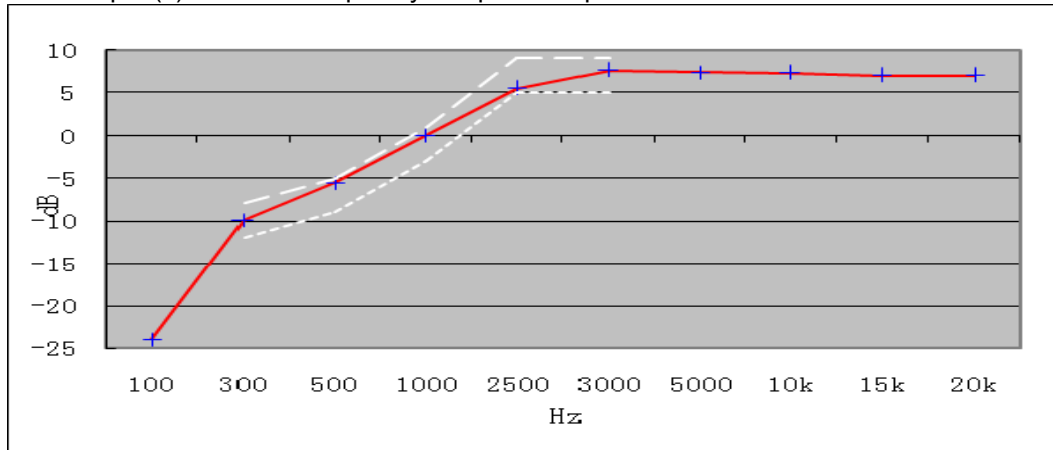
The RF output of the transceiver was connected to the input of FSP 30 with FM deviation module through sufficient attenuation so as not to overload the meter or distort the reading. An audio signal generator was connected to the audio input of microphone.

The audio signal input level was adjusted to obtain **20% of the maximum rated system deviation at 1 kHz**, and recorded as  $DEV_{REF}$ . With the audio signal generator level unchanged, set the generator frequency between 100 to 5000 Hz. The transmitter deviations ( $DEV_{FREQ}$ ) were measured and the audio frequency response was calculated as  $20\log_{10} [DEV_{FREQ} / DEV_{REF}]$





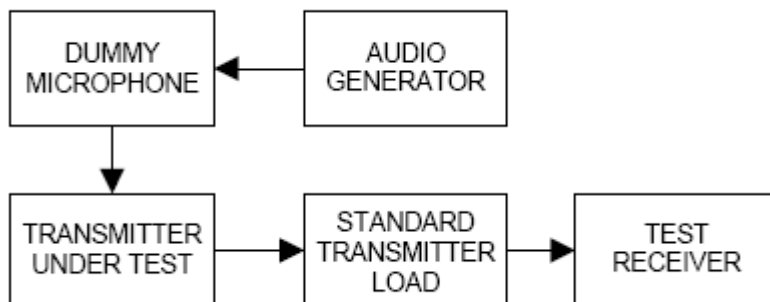
The plot(s) of Audio Frequency Response is presented hereinafter as reference.



0dB=10mV at 1kHz (20% of the maximum rated system deviation).

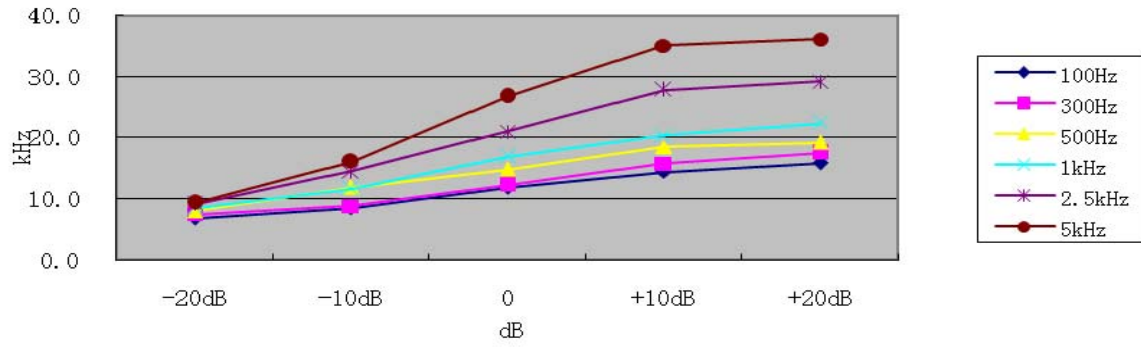
#### Modulation Limiting

- Adjust the transmitter per the manufacturer's procedure for full rated system deviation.
- Set the test receiver to measure peak positive deviation. Set the audio bandwidth for  $\leq 0.25$  Hz to  $\geq 15,000$  Hz. Turn the de-emphasis function off.
- Apply a **1000 Hz** modulating signal to the transmitter from the audio frequency generator, and adjust the level to obtain **60% of full rated system deviation**.
- Increase the level from the audio frequency generator by 20 dB in one step (rise time between the 10% and 90% points shall be 0.1 second maximum).
- Measure both the instantaneous and steady-state deviation at and after the time of increasing the audio input level.
- With the level from the audio frequency generator held constant at the level obtained in step e), slowly vary the audio frequency from 100 to 5000 Hz and observe the steady-state deviation. Record the maximum deviation.



Test at five different modulating frequencies (100Hz ,300Hz, 500Hz, 1KHz, 2.5kHz, 5kHz), the output level of the audio generator was varied up to 1V and the FM deviation level was recorded.

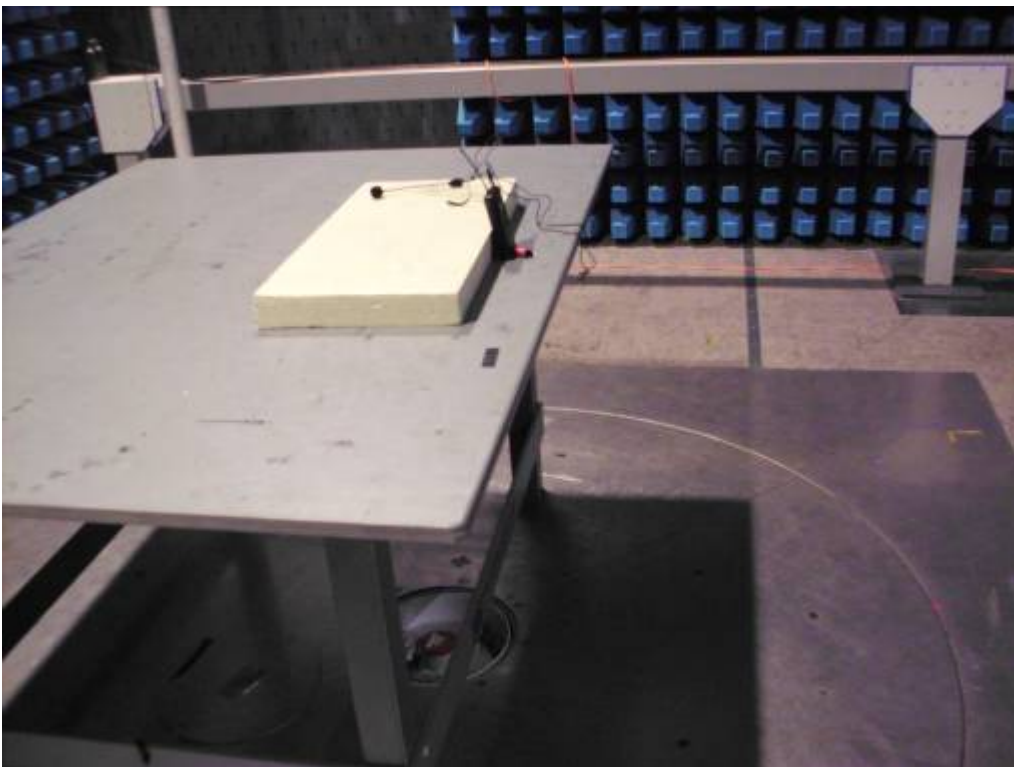
Positive peak deviation



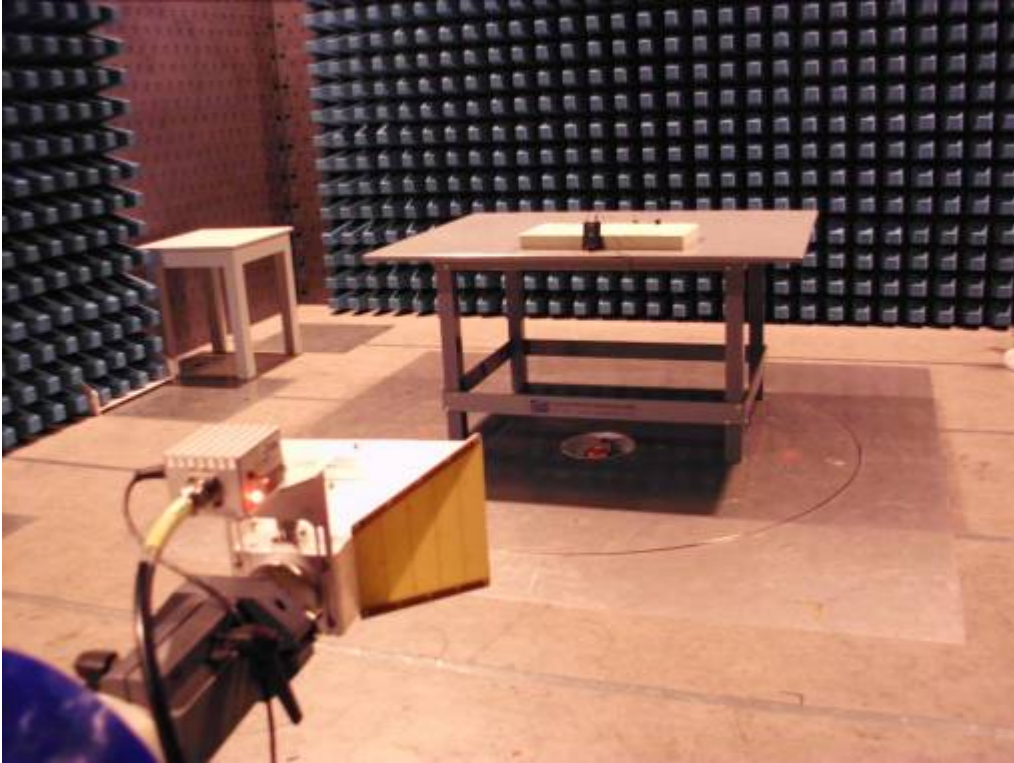
### 3.2.5 Photographs

#### Radiated Emission Test Setup

30MHz - 1GHz



Above 1GHz



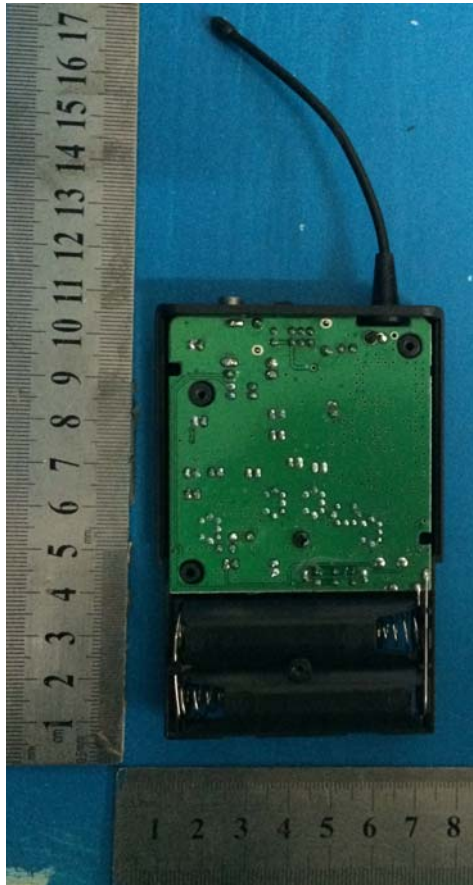
3.2.6 EUT Constructional Details

AWX6070B

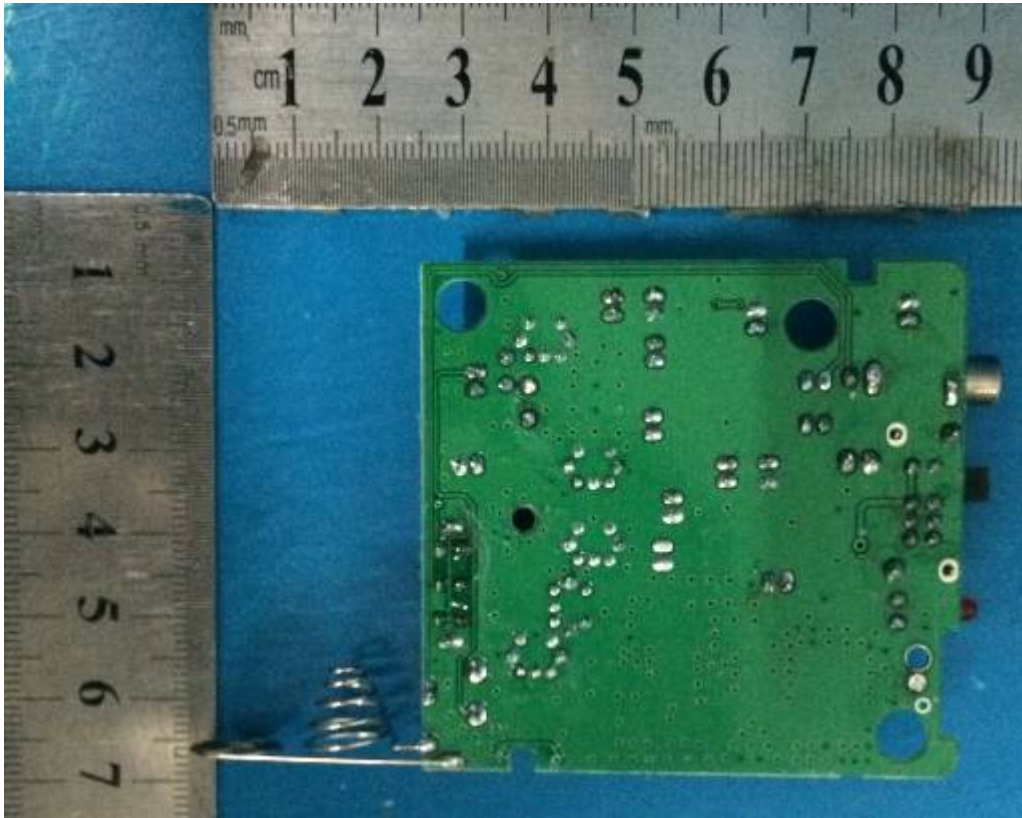








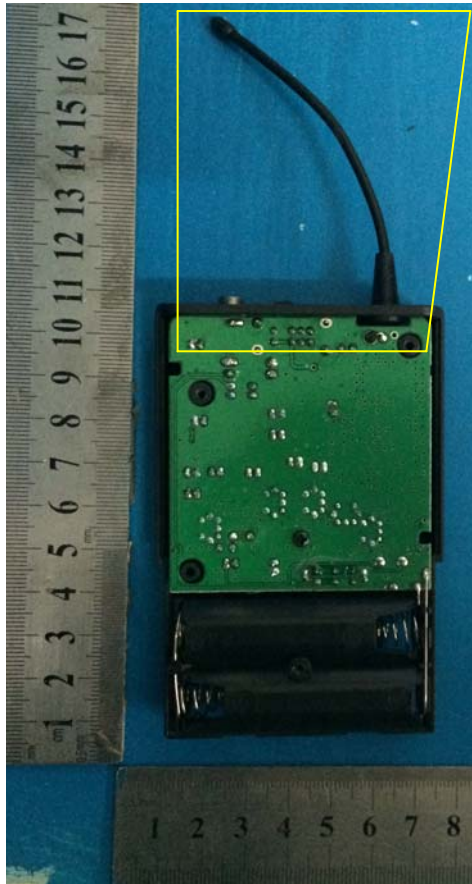








3.2.7 Antenna Photo



#### 4 EQUIPMENTS USED DURING TEST

Item	Test Equipment	Manufacturer	Model No.	Inventory No.	Cal. Date	Cal. Due date
1	RF Generator	Rohde & Schwarz	SMB100A-B106	1.031	2014-5-10	2015-5-10
2	Spectrum Analyzer	Rohde & Schwarz	FSP30	EMC0001	2014-1-17	2015-1-17
3	EMI Test Receiver	Rohde & Schwarz	ESCI	EMC1002	2014-2-17	2015-2-17
4	2-Channel Power Meter	Rohde & Schwarz	NRP2	1.033	2014-5-10	2015-5-10
5	Audio Analyzer	Hewlett Packard	8903B	EMC0011	2014-11-5	2015-11-5
6	Power Sensor	Rohde & Schwarz	NRP-Z91	1.034	2014-5-10	2015-5-10
7	Power Sensor	Rohde & Schwarz	NRP-Z91	1.035	2014-5-10	2015-5-10
8	Temperature Chamber	Gongwen	GDS-250	SFT0009	2014-11-5	2015-11-5
9	D.C. Power Supply	KIKUSUI	PAN35-10A	SFT0319	2014-11-5	2015-11-5
10	Temperature Chamber	Gongwen	GDS-250	SFT0009	2014-11-5	2015-11-5
11	D.C. Power Supply	KIKUSUI	PAN35-10A	SFT0319	2014-11-5	2015-11-5
12	Humidity/ Temperature Meter	Anymetre	TH101B	SFT0063	2014-11-5	2015-11-5
13	Barometer	ChangChun	DYM3	SEL0088	2014-6-8	2015-6-8
14	Multimeter	UNI-T	UT70A	EMC0017	2014-11-5	2015-11-5
15	Monopole Antenna	HST	N/A	EMC0089	2014-11-5	2015-11-5
16	Low loss coaxial cable	HST	2 m	EMC1008	2014-11-5	2015-11-5
17	Monopole Antenna	HST	N/A	N/A	2014-11-5	2015-11-5
18	Noise Generator	Ningbo Zhongce	DF1681	EMC0009	2014-11-5	2015-11-5
19	1-18 GHz Antenna	R & S	HF906	1.01	2014-5-10	2015-5-10
20	3m Semi-anechoic Chamber	ABLATROSS	SAC-3	1.001	2014-5-10	2015-5-10
21	EMI Receiver	R & S	ESCI-3	1.002	2014-5-10	2015-5-10
22	Spectrum Analyzer	R & S	FSP30	1.003	2014-5-10	2015-5-10
23	BiConiLog Antenna	SCHWARZBECK	SWB-VULB 9163	1.042	2014-5-10	2015-5-10
24	Pre-amplifier	B & Z TECHNOLOGIES	SCA-SCU18	1.01.1	2014-5-10	2015-5-10
25	Biconical Antenna	SCHWARZBECK	VULB9163	1.011	2014-5-10	2015-5-10

\*\*\*End of report\*\*\*