

Product Number: XBLF562107-W08135BE-1



Product Name: 双频天线 Antenna

Specification For Approval 规格承认书

日期 Date : 2023/01/05

编号 File No. : XBL23010501

版次 Version : 1.0

客 户

Customer: PAN

客户料号

Customer P/N:

信博联料号

Sinbolin P/N: XBLF562107-W08135BE-1 左侧板

品 名

Description: 双频天线 Antenna

信博联核对

Sinbolin Checked By:

客户核对

Customer Approved By:



东莞市信博联电子科技有限公司

Sinbolin Technology Inc.

东莞市长安镇振安东路 162 号 6 栋 205

Room205,building6,No,162,East Zhen,an Road,Changan Town,Dongguan City

电话: 13929204545

Product Number: XBLF562107-W08135BE-1

Product Name: 双频天线 Antenna



目录 (Index) :

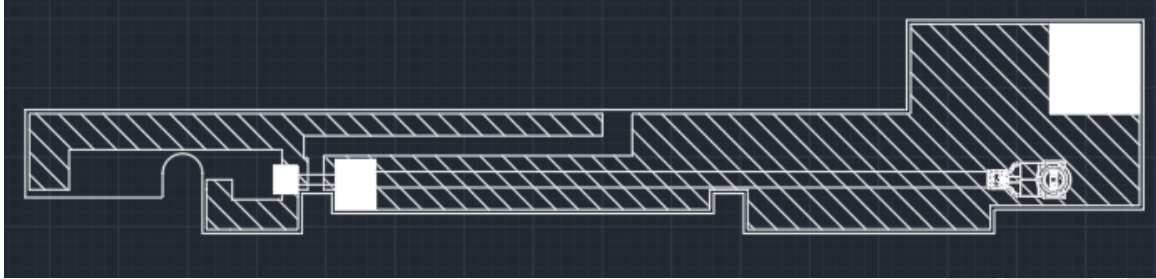
- A. 承认书封面 (Specification Cover) / Page 1**
- B. 承认书项目表 (Specification Item) / Page 2**
 - 1. 产品规格 (Product Specification) / Page 3**
 - 2. 可靠性测试数据 (Reliability Test Data) / Page 4**
 - 3. 网络参数测试数据 (SParameter Test Data) / Page 5**
 - 4. 效率及增益测试数据 (Efficiency and Gain Test Data) / Page 6~7**
 - 5. 工程图纸 (Mechanical Drawing) / Page 8**
 - 6. 包装规范 (Packing Specification) / Page 9**

Product Number: XBLF562107-W08135BE-1

Product Name: 双频天线 Antenna

1.产品规格 (Product Specification)

产品图片 (Product Photo)



A. 电性参数 (Electrical Characteristics)

频率 (Frequency)	2400 ~ 2500 MHz 5150-5850MHz
电压驻波比 (V.S.W.R)	≤ 2.0 @2400 ~ 2500 MHz 5150-5850MHz
返回损失 (Return Loss)	≤ -10 dB @ 2400 ~ 2500 MHz 5150-5850MHz
天线增益 (Antenna Gain)	2 dBi
辐射效率 (Radiation Efficiency)	50 ~ 60 %
阻抗 (Impedance)	50 ± 15 Ohm
极化方式 (Polarization)	线性 (Linear)
天线类型 (Antenna Type)	Dipole
B. 材质及机械特性 (Material & Mechanical Characteristics)	
辐射材质 (Material of Radiator)	FPC
线材类型 (Cable Type)	0.81 黑色线材 (O.D. 0.81mm Black)
接头类型 (Connector Type)	/
拉力测试 (Pull Test)	>1.0KG
C. 环境因素 (Environmental)	
工作温度 (Operation Temperature)	- 40 °C ~ + 75 °C
储存温度 (Storage Temperature)	- 40 °C ~ + 85 °C

Product Number: XBLF562107-W08135BE-1

Product Name: 双频天线 Antenna



2. Characteristics and Reliability Test(可靠性测试)

Test Items 測試項目		Test Condition and Procedure 測試方法	Requirements 要求	Result 結果
C1	V.S.W.R. 電壓駐波比	Set DUT on Network Analyzer; make individual calibration to test 設置網路分析儀參數進行測試	Directive DUT specification 符合待測物規範	PASS
M1	Vibration 震動	GB / T2423.48-2008 Amplitude: 0.03 inch (1.5mm); Freq: 20 to 80 to 20 Hz 3 directions; 2 hours for each direction 振幅 1.5mm; 頻率 20~80~20Hz; 3 個方向各 2H	1. No Visual Damage 2. Frequency Tol.≤5% 無明顯外觀不良;頻率偏移≤5%	PASS
M2	Random Drop 跌落	GB / T2423.8-1995 Single: Height: 1.0 Meter; 3 directions; 1 time for each direction 單支天線, 高 1m; 3 個方向各 1 次	1. No parts separated、fracture 2. Frequency Tol.≤5% 產品無脫落、斷裂;頻率偏移≤5%	PASS
M4	Pull Test 拉力	Holding with individual specification; force applied to axis of terminal .單獨定義產品端子拉力	1. Directive DUT specification 2. Frequency Tol.≤5% 符合待測物規範;頻率偏移≤5%	PASS
M6	Dimension 尺寸	Inspection of dimension, color, material, package, surface process.检查尺寸,颜色,材料,包装,表面處理	Directive DUT specification 符合待測物規範	PASS
E2	Salt Spray 鹽霧	GB / T 2423.17-2008 Temp: 35°C; RH: ≥ 95%; NaCl solution: ≥ 5%;Time: 24H 溫度 35°C; 濕度≥95%;鹽水濃度≥5%; 測試 24H	1. No Visual Damage 2. Frequency Tol.≤5% 無明顯外觀不良;頻率偏移≤5%	PASS
E3	Temperature and Humidity Chamber 恒溫恒濕	GB / T 2423.3-2006 Temp: 80°C / 12 H; -40°C / 12H RH: ≥ 90%; Time: 24H 溫度 80°C 測試 12H 轉-40°C 測試 12H; 濕度≥ 90%; 時間 24H	After 2 Hours Recovery 1. No Visual Damage 2. Frequency Tol.≤5% 恢復 2H 后, 無明顯外觀不良;頻率偏移≤5%	PASS
E4	Thermal Shock 冷熱衝擊	GB / T 2423.22 - 2008 - 40°C (30 minutes) to + 80°C (30 minutes); Cycles: 24 - 40°C 測試 30 分轉 80°C 測試 30 分為一個週期; 共 24 週期	After 2 Hours Recovery 1. No Visual Damage 2. Frequency Tol.≤5% 恢復 2H 后, 無明顯外觀不良;頻率偏移≤5%	PASS
E5	Aging test 老化	GB /T 2423.2 - 2008 Temp: 80°C; Time: 24 hours 溫度 80°C, 測試 24H	After 2 Hours Recovery 1. No Visual Damage 2. Frequency Tol.≤5%無明顯外觀不良;頻率偏移≤5%	PASS

Product Number: XBLF562107-W08135BE-1

Product Name: 双频天线 Antenna

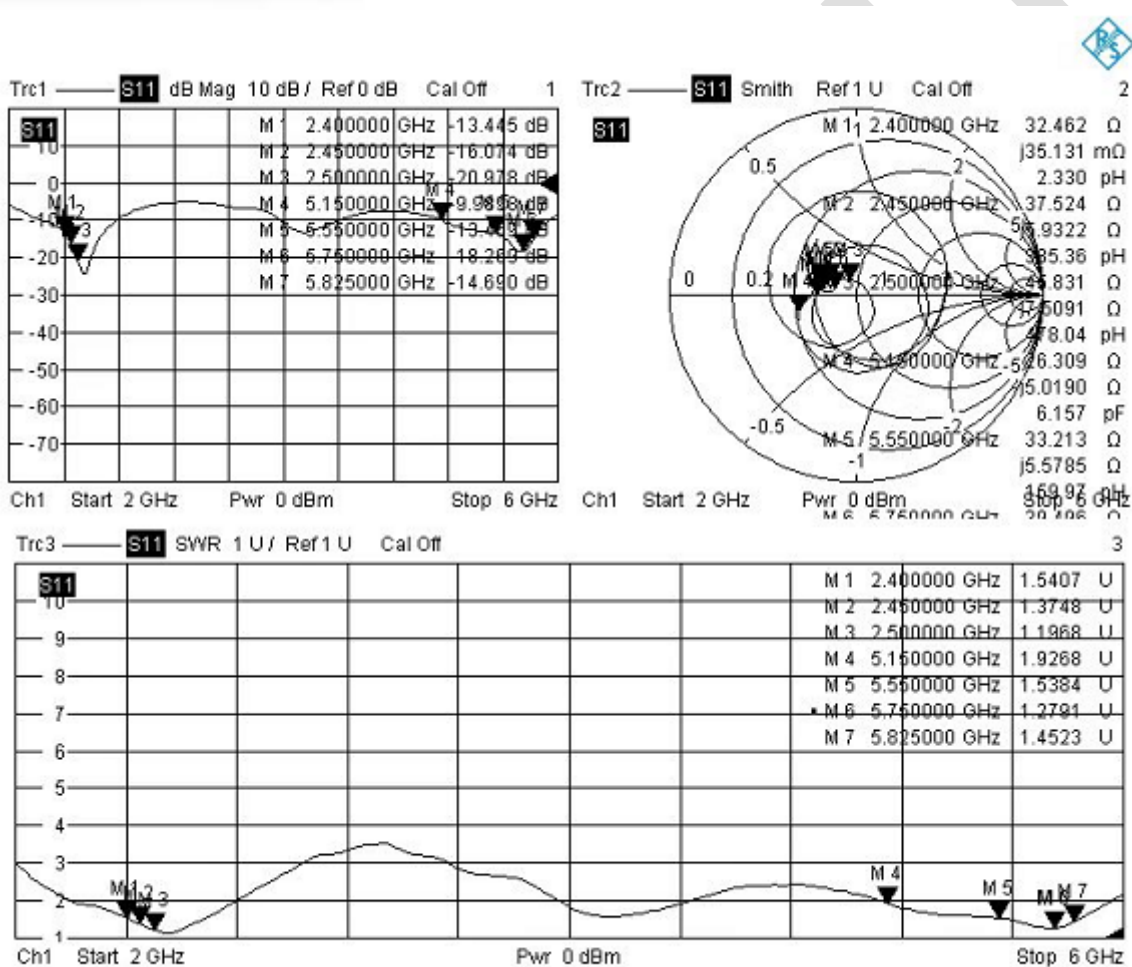
4.网络参数测试数据 (S Parameter Test Data)



(ROHDE&SCHWARZ) ZVL矢量网络分析仪

测试频率范围: 9KHz-6GHz

测试能力: V. S. W. R、Return Loss、Smith等



Product Number: XBLF562107-W08135BE-1

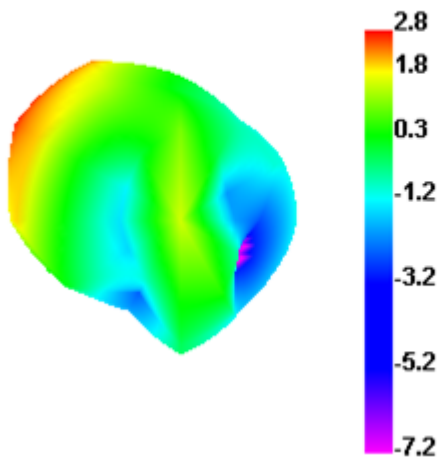
Product Name: 双频天线 Antenna



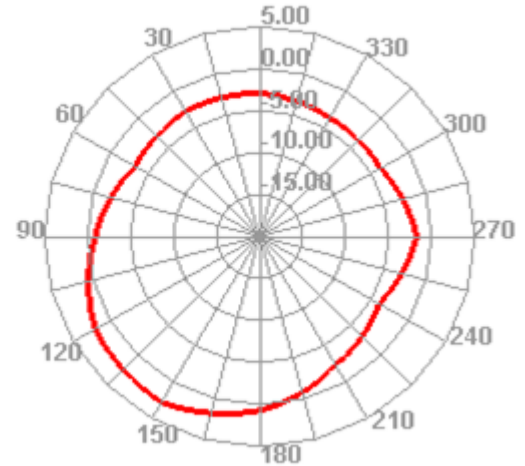
5.效率及增益测试数据 (Efficiency and Gain Test Data)

Passive Test For WIFI2400左天线		
Freq (MHz)	Effi (%)	Gain (dBi)
2400	61.65	2.78
2410	61.82	2.82
2420	63.19	2.79
2430	62.15	2.63
2440	62.04	2.41
2450	60.55	2.16
2460	58.76	1.88
2470	59.25	1.73
2480	61.76	1.75
2490	66.52	1.87
2500	67.42	1.67

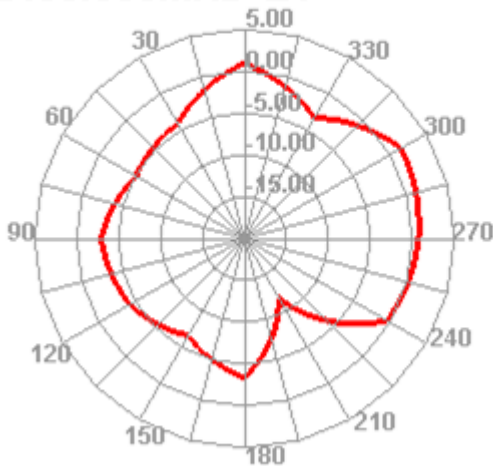
2400.000MHz



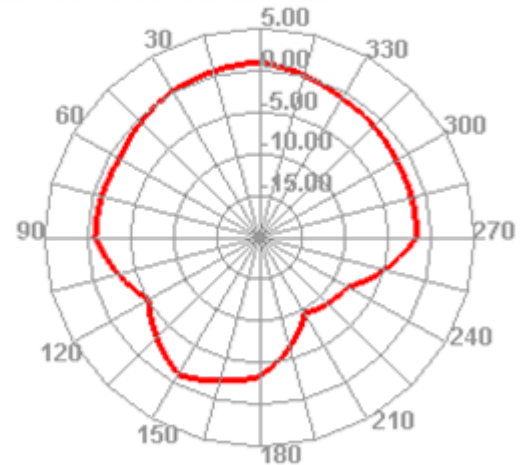
2400.000MHz H



2400.000MHz E1



2400.000MHz E2



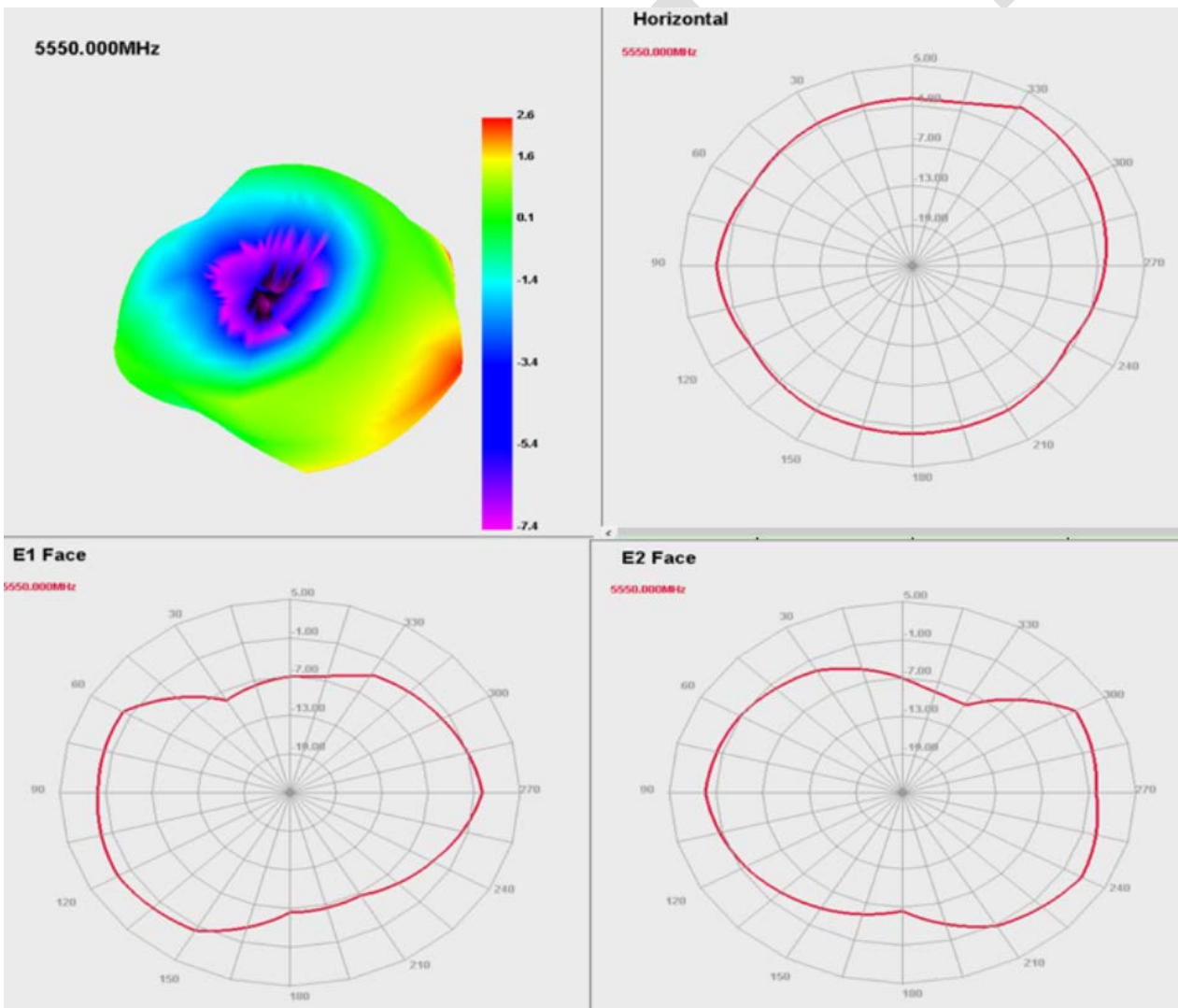
Product Number: XBLF562107-W08135BE-1

Product Name: 双频天线 Antenna



Passive Test For WIFI-5G 左侧板

Freq (MHz)	Effi (%)	Gain (dBi)
5150	57.49	2.73
5250	60.76	1.86
5350	59.86	1.77
5450	56.46	2.38
5550	62.52	2.63
5650	58.06	2.36
5750	60.62	1.92
5850	55.57	1.65



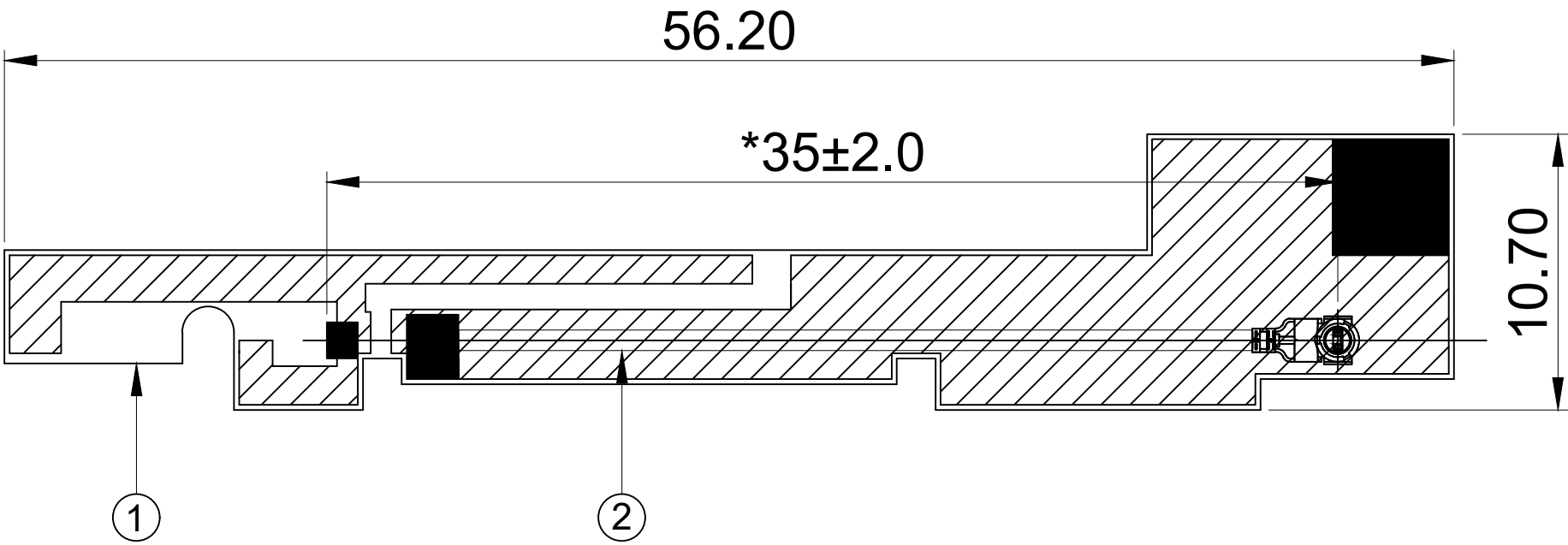
HF

RoHS

REACH

CONFIDENTIAL

SIGN	DATE	DESCRIPTION	APPROVER



No.	Part Number	Name	Material	Finish	Q'ty
2	X-081B-35-149	RG081线材	081黑色线材总线长35mm, 尾端打2代端子	黑色	1
1	F-562107-W29PB	FPC	L56.2*W10.7mm, 表面黑色, 背面3M背胶	黑色	1

信博联 东莞市信博联电子科技有限公司

TITLE: FPC WIFI Antenna 左侧板			CUSTOMER P/N: /	
PART NO.: XBLF562107-W08135BE-1			Standard Tolerance X.X ±0.5 ○ 0.02 X.XX ±0.2 ◎ 0.03 X° ±1 ▱ 0.05 UNITS: mm // 0.03 SCALE: 1/1 ⊥ 0.05 REVISION: A ≡ 0.05	
APP BY	CHK BY	RF BY	DES BY	
Darren 2022/12/02	Yixin 2022/12/02		XRS 2022/12/02	

產品包裝規範

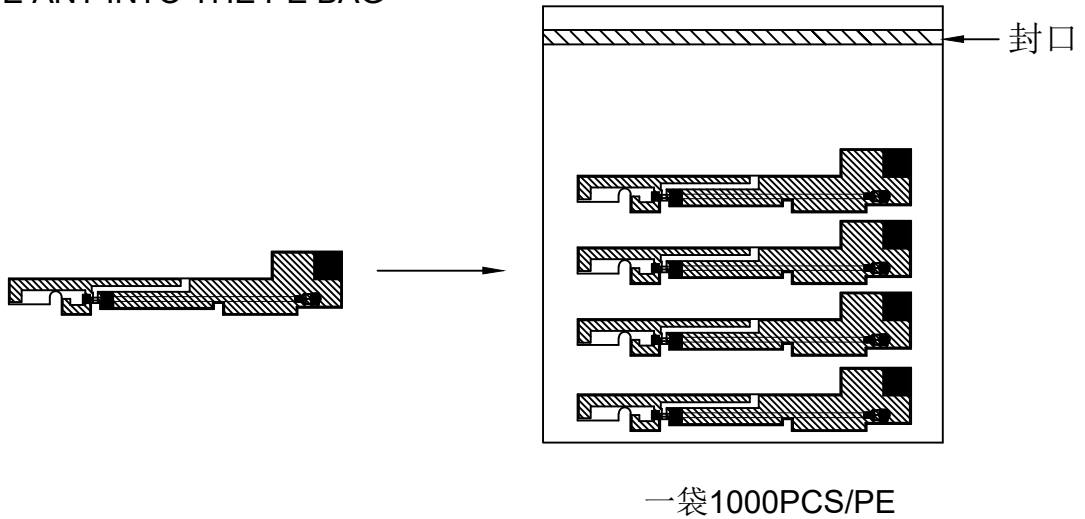
PACKING CRITERION

Date: 2022/12/02

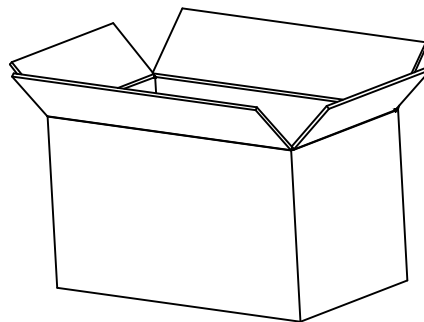
Page: 1 of 1

Part Number : XBLF562107-W08130BE-1	Revision : A
Name: FPC WIFI Antenna 左侧板	Customer :

一. WITH THE ANT INTO THE PE BAG

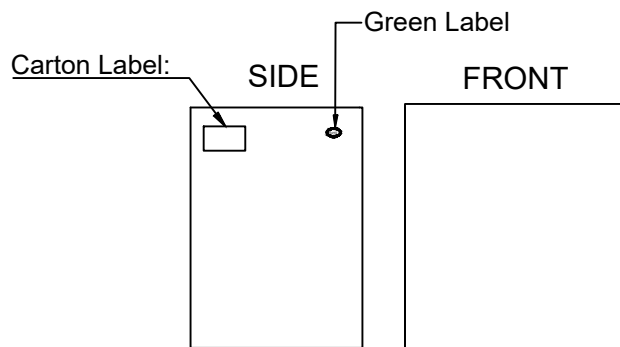
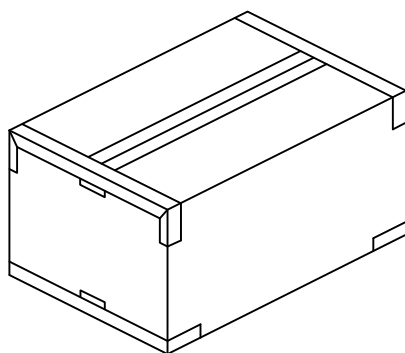


二. PACKING



20000PCS/CARTON
视客人订单数量而定

三. SEALING



APPROVED BY : Darren

CHECKED BY : Yixin

DESIGNED BY : XRS