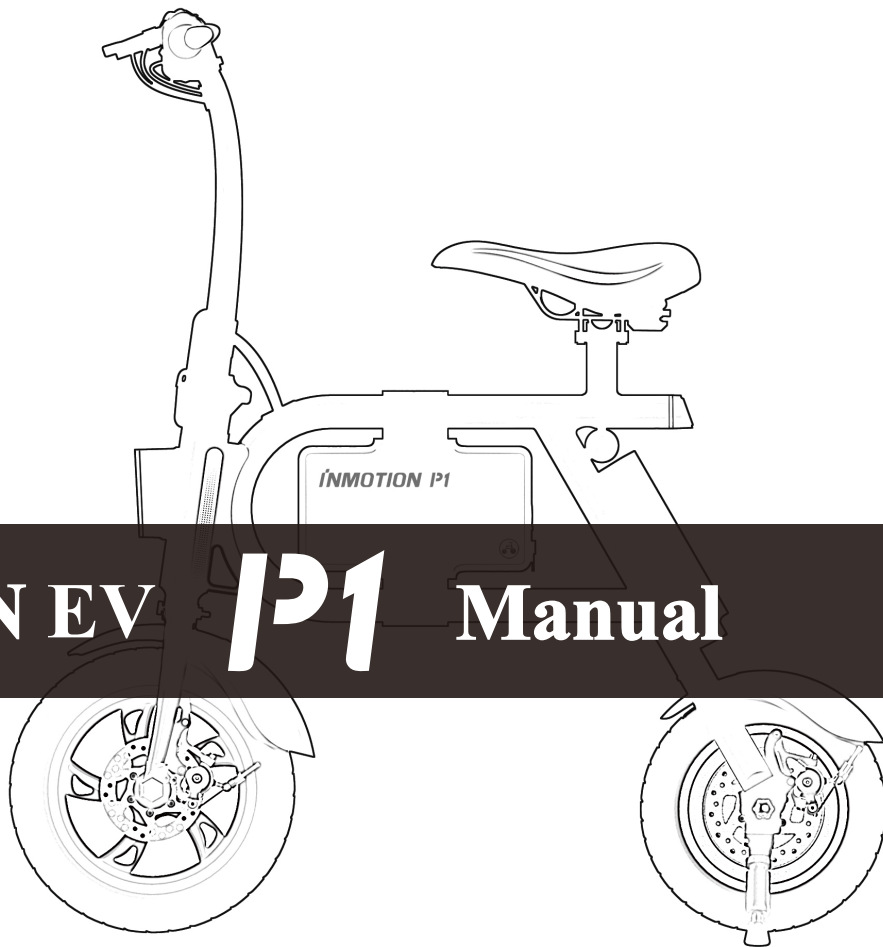


iNMOTION



INMOTION EV **P1** Manual

INMOTION TECHNOLOGIES CO.,LTD
www.imscv.com

***i*NMOTION**

Content

1. Overview	3
1.1. About this manual	3
1.2. Related document and data	3
1.3. Relevant agreement	3
2. Product Overview	4
2.1. Serial No.	4
2.2. Product dimension figure	4
2.3. Product parameter	5
2.4. Product components	7
2.5. Check the package box	8
2.6. Assemble INMOTION E-bike	8
2.7. APP	10
3. Charging	11
3.1. Charging method	11
3.2. Safety tips when charging	11
4. Ride INMOTION E-bike	12
4.0. Ride INMOTION E-bike	12
4.1. Precautions before riding	12
5. Precautions of safe riding	13
6. Maintenance	14

6.1.	Storage.....	14
6.2.	Clean.....	15
6.3.	Treatment.....	15
6.4.	Inflation & Exchange Inner and Outer Tires.....	16
6.5.	Brake Maintenance.....	16
7.	Contacts & Legal Information.....	17
7.1.	Feedback.....	17
7.2.	Contact us.....	17
7.3.	Version.....	17

1. Overview

1.1. About this manual

For your safety, please read over this manual before riding INMOTION E-bike, and carefully watch the instructional video to correctly ride INMOTION E-bike.



- Knowing all the listed safety warnings and precautions will help you better ride the INMOTION E-bike.
- This manual is applicable of all INMOTION E-bikes manufactured by INMOTION TECHNOLOGIES CO., LTD.
- Any questions or any information you cannot get from this manual, please immediately contact INMOTION authorized agency or INMOTION after-sales department.

1.2. Related document and data

The PDF Manual, video about the Safety, APP as well as the Help document can be downloaded from the official website of INMOTION TECHNOLOGIES CO., LTD: www.imscv.com.

1.3. Relevant agreement

The following instructions are applicable for this Manual. Please pay more attention to the related Warning, Notes and Prompts.

 Warning	Warning: Your motion or action may result in personal injury.
 Prompt	Prompt: Matters or functions prompt users need to pay attention to.

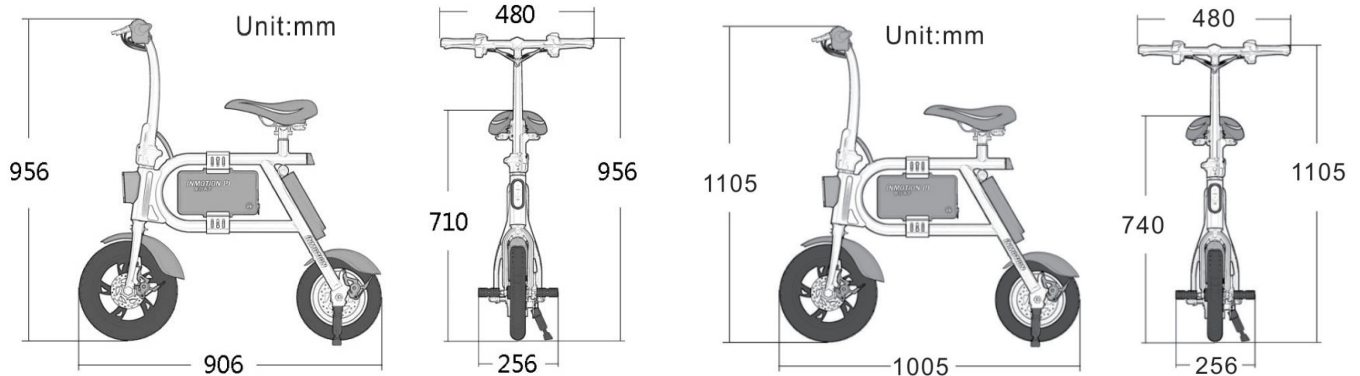
2. Product Overview

INMOTION E-bike is a kind of compact, effective and economic personal transport tool. Its fashionable and light structure design, as well as the lithium-ion power battery (high configuration) will provide you with joyful riding experience.

2.1. Serial No.

Serial No. is the only TAG of this product, which is used for quality tracking, after-sales services, insurance claim and loss and confirmation etc. of the product. Please well record and keep the Serial No that can be obtained from the followings: external packing, warranty card, E-bike body(on the side of the controller box).

2.2. Product dimension figure

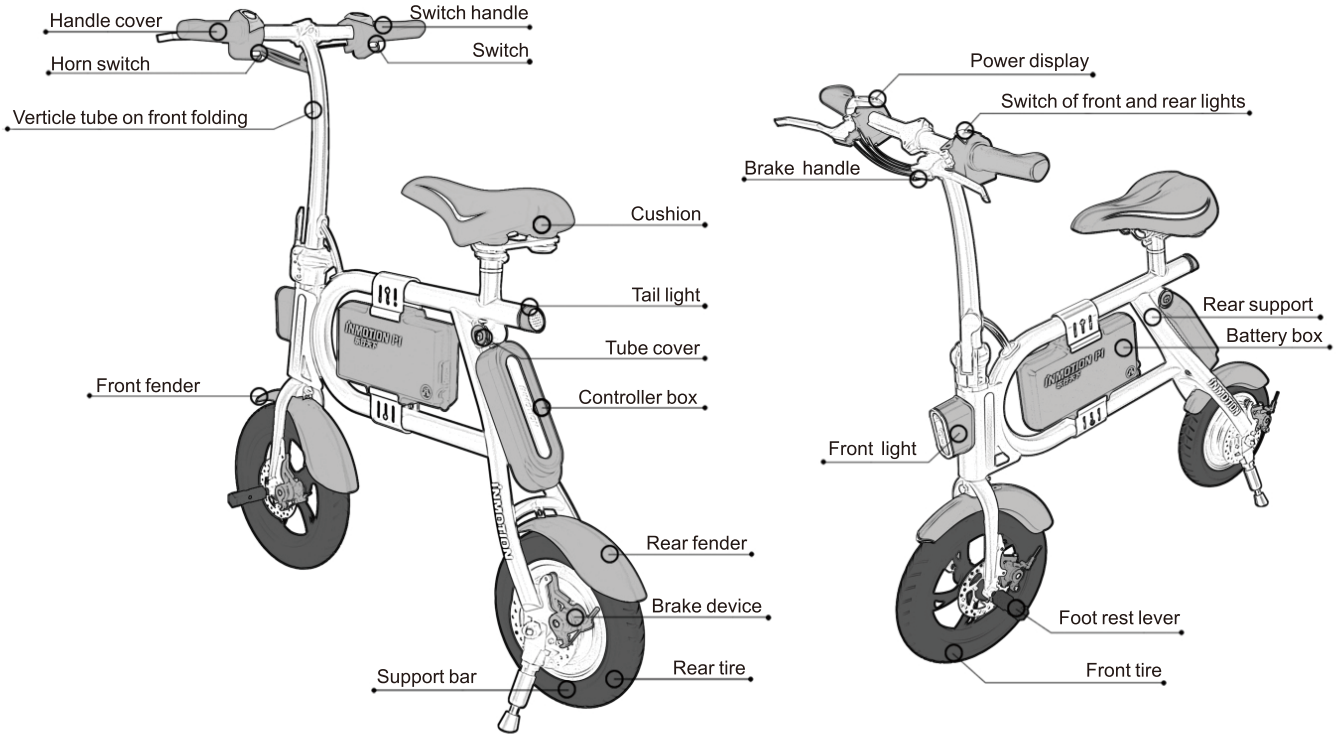


2.3. Product parameter

Name	Value	Value	Notes
Model	INMOTION E-bike P1	INMOTION E-bike P1L/P1F	① This speed is measured under 70kg of the human body. The max. cruising speed can be set at 30km/h through the APP once its total riding mileage reached 10km. ② Endurance mileage is 25 °C , 70kg load, measured under flat road. Riding habit, environment, temp., road condition, load and other factors will affect the endurance mileage. Different E-bike types and battery models will
Max. speed	The factory default of 20 km/h can be adjusted to 30km/h①	The factory default of 20 km/h can be adjusted to 30km/h①	
Endurance Mileage	About45-50km (high configuration) / about 20km (low configuration) ②	About45-50km (high configuration) / about 20km (low configuration) ②	
Climbing Angle	12°	12°	
Net Weight	12.5 kg (high configuration) / 12.0 kg (low configuration)	13 kg (high configuration) / 12.5 kg (low configuration)	
Load	120 kg	120 kg	
Overall size	900*480*945mm	1000*480*1035mm	
Battery Specification (lithium battery)	36V 10 Ah (high configuration) / 36V 4.4 Ah (low configuration)	36V 10 Ah (high configuration) / 36V 4.4 Ah (low configuration)	
Charging Demand	100~240V 50~60Hz	100~240V 50~60Hz	
Charging Time	About 6.0 hours (high configuration) /about 2.5 hours (low configuration)	About 6.0 hours (high configuration) /about 2.5 hours (low configuration)	

Tire type	Pneumatic tire, front 12 inch, back 10 inch.	Pneumatic tire, front 12 inch, back 10 inch.	result in different endurance mileage. ③ Waterproof and dust-proof grade is IP54.
Brake type	Front-rear wheel disc brake (high configuration) / Rear disc brake (low configuration)	Front-rear wheel disc brake for two configurations	
USB Discharge			
Dust & Water Proof Level	IP54③	IP54③	

2.4. Product components



2.5. Check the package box

INMOTION E-bike-The original includes the following parts. Please check when opening. Any lack or loss, please contact the agency or INMOTION after-sales department.

E-bike body	Foot lever * 2
Product manual, warranty card, quality certificate	Charger



Warning

- **Using non-recognized parts, or wrongly install the parts will damage the INMOTION E-bike, even cause personal injury. In order to guarantee the quality and safety, all parts of INMOTION E-bike will be authorized by INMOTION TECHNOLOGIES CO., LTD, and should be ensured to correctly installed in the E-bike.**
- **Please do not try to ride the INMOTION E-bike that is not correctly and completely installed.**
- **Please do not dismantle or modify the E-bike without authorization, otherwise it will lead to unrecoverable damage to the E-bike, and may even lead to the personal injury.**

2.6. Assemble INMOTION E-bike

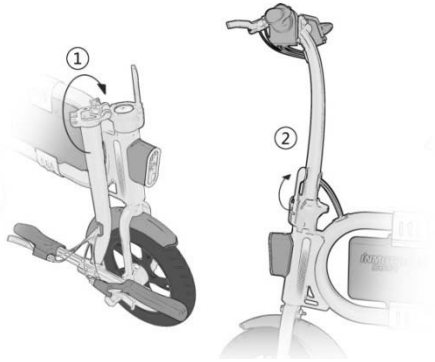
Step 1: Hold well the direction bar as the picture shows, and lock the folding handle as the picture shows . (See picture①②)

Step 2: Install the foot lever on the E-bike as the picture shows (Note: Screw tightly)

Step 3: Move the head of the direction bar as the picture shows, and then well adjust the cross handle (to the comfortable point you need)

Step 4: Try to fasten the folding wrench (Completely installed, and you can ride it now)

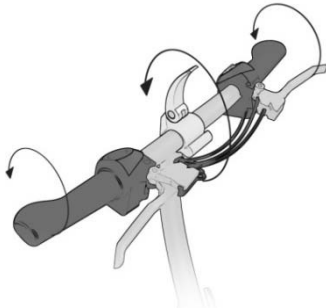
Step 1



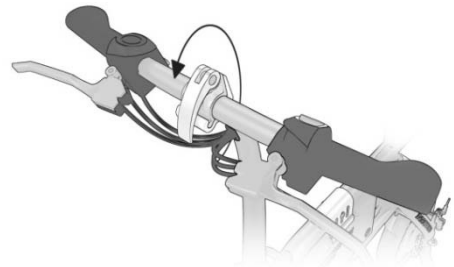
Step 2



Step 3



Step 4



2.7. APP

This APP is specially designed for users by INMOTION based on the manufactured products, which can realize such functions as controlling the vehicle, making friends, releasing INMOTION articles, taking part in INMOTION activities, buying INMOTION accessories etc. Chinese name of INMOTION E-bike APP is: 乐行。

You can get this APP from our website or corresponding APP Store.

Through this APP, you can realize the following functions:

- E-bike control: Lock, unlock, auto cruise
- E-bike body status display: It can display the speed, mileage, electric quantity etc.
- Parameter setting: Max. speed.
- Failure detection: It can realize the evaluation and detection to the status of INMOTION E-bike.
- After-sales service: We can arrange our workers for you to deal with the after-sales services.
- For more detailed functions of this APP, please download the product manual of the latest APP with reference to the prompts and Help document. We regularly promote new functions on the APP.



Prompt

- **INMOTION E-bike connects with the mobile through wireless bluetooth4.0 BLE, and is suitable for systems such as Android 4.3 or above, iphone4s, IOS 7.0 or above.**

3. Charging

3.1. Charging method

Step 1: The charge port is on the tail of the battery, see picture1

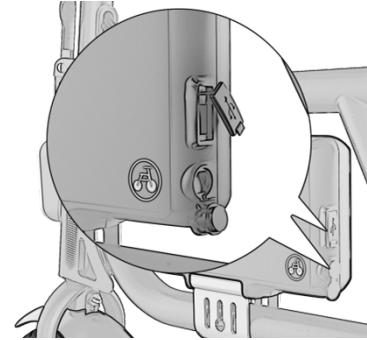
Step 2: Inset the charging port of the charger to that of the batter (please make sure the charge port is dry).

Step 3: When the charger indicator turns red, it is charging; when it turns green, it is fully charged. After fully charged, please stop charging, as long-term charge will affect the service life of the battery.

Step 4: After charging, please cover the charging port in case water in.

3.2. Safety tips when charging

- Please charge at least 5 hours before first use.
- In order to maximum extend the battery life, please charge it every one month or two days after riding it. Please charge it under proper temperature and environment.
- Not charging timely may cause battery damage. As time goes by, battery capacity will gradually run out, and eventually lead to battery over-discharge.
- Please use the battery, charger and cable provided by original manufacturer, to avoid dangers caused by battery overcharge .
- Please ensure correct connection of the charger and the cable, as well as enough ventilation environment.
- Please use it under dry condition. It is NOT allowed to make the charger or cable connect with water, as it may result in electric shock. Please do not touch with wet hands. If there is any failure during charging, please immediately pull up the power plug.
- Please guarantee to pull it up from the plug, not from the cable.



- Please do not make the charger or cable contact sharp or high temp. articles.
- Please regularly make sight check to the charger and its cable
- If there is obvious damage of the charger or cable, in order to avoid further damage, please do not use the charger any more, and contact for exchange.
- Please do not personally repair the battery, charger or cable. Any questions, please contact us.

4. Ride INMOTION E-bike

4.0. Ride INMOTION E-bike

INMOTION E-bike is a kind of technological travel tool. Riding without better understanding of the operation specification will result in unpredictable injury. The following instructions are explained in details on how to correctly ride the INMOTION E-bike for green hands, especially those who ride it for the first time, and list all precautions during the riding. Please carefully read it and ride INMOTION E-bike as required.

4.1. Precautions before riding

When riding or parking INMOTION E-bike, it will cause loss and affect the using performance of the product. Therefore, before riding, please pay attention to the following notes:

- Please check if all parts of the E-bike are well installed without damage.
- Please check if the brake is well.
- Please check if the folding mechanism is locked.
- Please check if there is enough power.
- Please check if the tire is well.
- Please check if the handle is fixed. Once loose, please screw it down.

- You need to find an open and flat place with the square of at least 4m * 20m to practice riding, indoor and outdoor are OK.
- You need to have a deep understanding to the surrounding riding condition, in order to ensure not to be disturbed by the cars, pedestrians, pets, bikes or other obstacles.
- You need a skilled assistant who is familiar to ride INMOTION E-bike and knows about all precautions and riding methods in this manual.
- Please do not test on smooth and wet ground.
- Please wear a helmet or other protectors to avoid possible injury.



Warning

- **Moisture will make the brake react slowly, therefore, after cleaning the E-bike, please dry and brake it in a safe place.**
- **Please do not use this product under bad weather (such as: rainy, snowy or icy condition)**
- **Before using this product under any environment, please ensure if the brake is OK.**

5. Precautions of safe riding

INMOTION E-bike is a kind of personal transport tool with certain speed, which has been strictly inspected on the technology and manufacture. Please use it according to the safety warnings in this manual, otherwise, it may bring risks. Any time or places, it may hurt you or even cause death due to the reasons such as falling, loss of control, collision etc., including that you do not ride INMOTION E-bike according to the manual. Therefore, in order to reduce risks and avoid injury, you **MUST** carefully read this manual and watch the related safety video, and obey the following precautions:

- When riding, please wear the helmet and protectors.
- Please do not climb slope over 12°, and do not sharply speed up or slow down on the slope.
- Be cautious to the obstacles and wet and smooth road, do not ride on grass or pebble road.
- Please do not ride in water over 30mm.
- DO NOT ride up and down the steps.
- DO NOT ride in motorway.
- DO NOT soak in water.
- INMOTION E-bike belongs to single-use vehicle, please DO NOT ride by several people.
- Beginners under 18 or over 45 years old, please practice under someone's help.
- Before using, please confirm if the power is full, and if the tire is in normal inflation.
- Before familiar to the E-bike, please DO NOT ride with higher speed, instead please ride slowly.
- As for the special property of lithium battery, users should charge it at least one time one month. It is not within the warranty range if the battery is damaged due to irregular maintenance.
- INMOTION E-bike is only used as daily transport tool, therefore, please DO NOT use it in extreme sports or other dangerous riding methods.

6. Maintenance

6.1. Storage

- Please keep the E-bike out of direct sun (even it is in trunk of your car), because after some time, the temperature of the after carriage and battery will reach 50°C, which will decrease the function and shorten the lifespan.
- Please do not place INMOTION E-bike in moisture condition.

- It will automatically discharge when the INMOTION E-bike is not in use. The battery power should be checked at least every 3 month, and should be timely charged until it is full. Please do not keep it for long time, as it will cause invocatable loss (such as deep discharge of the battery) due to the battery without power.
- In winter, the battery will lose power faster due to the low temperature.
- Unreasonable storage will lead to the life loss of the battery in the E-bike or other risks, therefore, please keep the INMOTION E-bike indoor in a dry place with proper humiture. If the INMOTION E-bike is not used for long time, please fully charge it and charge it at least one time every month.
- Please fully charge the E-bike if you do not use it for long time.

6.2. Clean

- Before cleaning, please make sure the E-bike powers off, pull up the cable, and close the charging port. When cleaning, please notice not to make water in the port.
- Please use soapy water or clean water to wipe the shell of INMOTION E-bike with soft cloth. Please DO NOT use high pressure water gun to wash it.
- Water and dust proof grade if INMOTION E-bike is IP54, namely, it is spilling and dust proof. Therefore, please do not soak the INMOTION E-bike in water, as it will lead to permanent damage.

6.3. Treatment

Please do not treat the battery and power device as general wastes. You have made great contribution to the environmental protection undertaking through riding INMOTION E-bike, so in order to further avoid unnecessary pollution:

- Please deal with your E-bike and all related components (battery) through the authorized treatment facilities.
- Please obey the latest user guide. Any questions, please consult our dealers or contact INMOTION after-sales department.

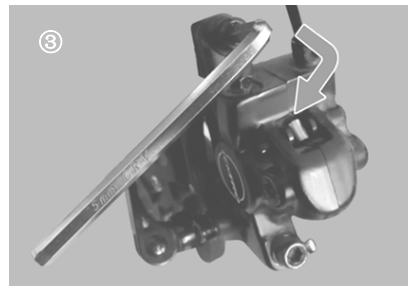
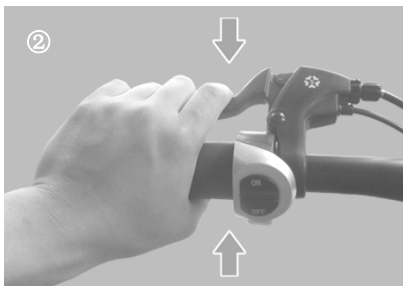
6.4. Inflation & Exchange Inner and Outer Tires

Once there is insufficient air pressure, or there are different air pressures of the two tires, please timely inflate until both have the same air pressure. Factory default tire pressure of INMOTION E-bike is 2.8Bar of the front wheel, and 2.5Bar the rear.

If the tire needs to exchange due to tire burst or other reasons, please contact INMOTION authorized agencies or INMOTION after-sales department (Also you can repair it in a bicycle maintenance shop)

6.5. Brake Maintenance

- ① Insert the elbow to the brake, and fix it on the screw of the frame. According to the: direction of Left Loose and Right Tight, please lightly turn left to make the brake a little loose.
- ② Then clench the brake with one of your hands, in order to make the rear brake close to the brake pad. Keep clenching.
- ③ Right press the brake with the elbow until fix and tighten the brake. Then loose the E-bike brake, the brake returns automatically. It is not abrasive once the brake pad is correctly fixed.



7. Contacts & Legal Information

7.1. Feedback

Any questions or improvement advice from you or people around you when riding INMOTION E-bike, please feel free to contact us. We will listen to your advice and do our best to serve you.

7.2. Contact us

- INMOTION TECHNOLOGIES CO., LTD.
- Tel:4000-1000-12
- Email:service@imscv.com

7.3. Version

Version1

Any Changes or modifications not expressly approved by the party responsible for compliance could void the user's authority to operate the equipment.

This device complies with part 15 of the FCC Rules. Operation is subject to the following two conditions: (1) This device may not cause harmful interference, and (2) this device must accept any interference received, including interference that may cause undesired operation. This equipment complies with FCC radiation exposure limits set forth for an uncontrolled environment .

This transmitter must not be co-located or operating in conjunction with any other antenna or transmitter.

Note: This equipment has been tested and found to comply with the limits for a Class B digital device, pursuant to part 15 of the FCC Rules. These limits are designed to provide reasonable protection against harmful interference in a residential installation. This equipment generates, uses and can radiate radio frequency energy and, if not installed and used in accordance with the instructions, may cause harmful interference to radio communications. However, there is no guarantee that interference will not occur in a particular installation. If this equipment does cause harmful interference to radio or television reception, which can be determined by turning the equipment off and on, the user is encouraged to try to correct the interference by one or more of the following measures:

—Reorient or relocate the receiving antenna.

—Increase the separation between the equipment and receiver.

—Connect the equipment into an outlet on a circuit different from that to which the receiver is connected.

—Consult the dealer or an experienced radio/TV technician for help.



Scan to download APP



Scan to forward Wechat

Customer service center: 4000-1000-12 0755-2690-6865