

***i*NMOTION**



INMOTION SCV **E** Series User Manual

Content

1.Introduction	1
1.1 About Manual	1
1.2 Related Documents	1
2. Safe Driving Precautions.	1
3.Product Introduction	2
3.1 Product Serial Number	2
3.2 Checking Package.....	2
3.3 Dimension and Direction.....	4
3.4 Components	4
3.5 Prodcution Specification	6
4.Production Function.....	7
4.1 Power booster and boost mode(For E3)	7
4.2 Anti-Spinning Function.....	7
4.3 Overload Protection.....	8
4.4 Bluetooth	8
4.5 Lights	8
4.6 Mobile APP.....	8

5.Howtouse	9
5.1 Prepare	9
5.2 Poweron	9
5.3 Get on and maintain balance.....	9
5.4 Forward、 Backward、 Brake	10
5.5 Turning	11
5.6 Climing	11
5.7 Speed limitation.....	11
5.8 Charging	11
5.9 Balance Calibration	12
6.Maintenance	12
6.1 Storage	12
6.2 Tires Maintenance.....	12
6.3 Cleaning	12
7.Law Statement	13
7.1.Use statement	13
7.2.Personal information statement	15
7.3. Intellectual property statement	16
8.Contact Us	16

1. Introduction

1.1 About Manual

For your driving safety, please read this manual and user guide leaflet carefully before using Inmotion E Series Sensor Control Vehicle (hereinafter referred to as E series SCV), and please carefully watch the driving instruction video to ensure that it can be used in the correct way. Please read and understand all the safety warnings and precautions listed in this manual to help you drive E SERIES SCV better. This manual applies to Inmotion E SERIES SCV products manufactured by Shenzhen Inmotion Technologies Co., Ltd. If you have any questions or are unable to obtain the information you need from this manual, please contact your Inmotion Authorized Dealer or Inmotion After Sales Department.

1.2 Related Documents

The PDF version of the User Manual, the mobile APP and its help files can be downloaded from the official website of Shenzhen Inmotion Technologies Co., Ltd.: www.imscv.com.

2. Safe Driving Precautions

E SERIES SCV is a smart entertainment product. If you do not follow the instructions in this manual, you may be at risk of driving. Driving E SERIES SCV at any time, anywhere,

including falling, out of control, collision, etc., including failure to comply with the requirements of this manual may result in injury, death, and/or property damage. In order to reduce risk and avoid damage and loss, you must read it carefully and completely

Follow this manual and watch related safety videos, and strictly follow the following precautions:

E SERIES SCV users need to charge at least one month at room temperature. If there is battery damage due to without regular maintenance, it is not covered by the company warranty.

Bring a helmet and protective gear when riding to ensure that the tie rods are in place.

Do not use the E SERIES SCV above and below the slope of 18°, do not accelerate, decelerate, sharpturn.

Pay attention to road obstacles.

Do not ride on grass, pebbles, slippery roads, etc.

Do not wading.

Do not go up and down stairs when riding.

Do not ride on the motorway.

Do not immerse the vehicle in water.

Prohibit riding speed exceeds the maximum speed limit of this model.

Do not accelerate after the vehicle is tilted backwards.

Do not sit on the vehicle or on the handle bar.

Do not lift the vehicle when it is turned on.

Beginners under the age of 18 or above 45 need to be assisted by others when using.

Please confirm that the battery is fully charged and the tire pressure is normal before use..

Do not accelerate, slow down, and drive at high speed before you are familiar with driving. Do not challenge difficult movements. Please drive at low speed.

E SERIES SCV is IP54 dustproof and waterproof. Please do not drive in rain for more than 10 minutes.

Warning

Do not disassemble or modify the Inmotion SCV without permission. Otherwise, it may cause irreparable damage to the vehicle and may cause personal injury.

3. Product Introduction

E SERIES SCV is a new technology travel and entertainment tool that combines fashion, fun and practicality. It uses dynamic balance principle, uses its internal gyroscope and acceleration sensor to detect changes in the attitude of the vehicle, and uses the servo control system. Accurately drive the motor to adjust accordingly to maintain the balance of the system. The user realizes forward, acceleration, deceleration, braking and other driving operations through the forward tilting of the body, and the balance between the left and the right depends on the control of the body.

3.1 Product Serial Number

The product serial number is a unique identifier for the product and is used for product quality tracking, after-sales service, insurance claims, loss confirmation, etc. Make sure to record and save the serial number. The product serial number is a sequence of 16 characters, usually accompanied by a one-dimensional barcode or below the two-dimensional code. Obtain the serial number of the product from the following location: on the product packaging, on the product warranty card, on the vehicle.

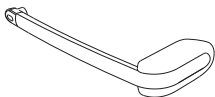
3.2 Checking Package

Inmotion SCV includes the following parts when shipped from the factory. Please check after unpacking. If there is any missing, please consult the dealer.

Main body, push rod assembly, accessory box (including charger, wrench, screw, extended nozzle), user manual, warranty card and certificate.

E2

Leg Control



User Manual



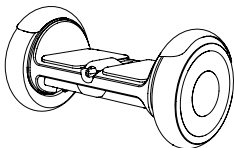
Warranty card



Certificate



Vehicle



Accessory

Cover



Screw× 2



Spanner



Extended Connector

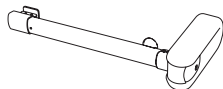


Charger



E3

Leg Control



User Manual



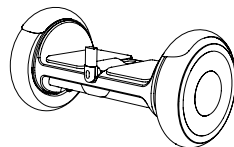
Warranty card



Certificate



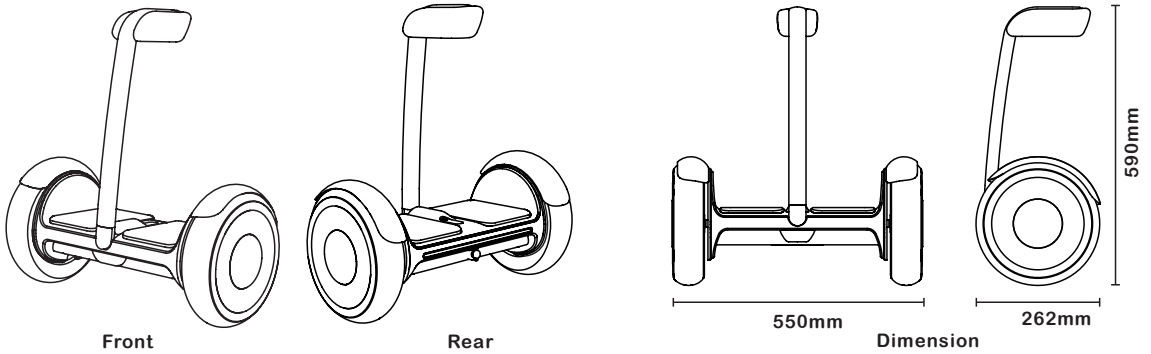
Vehicle



Charger

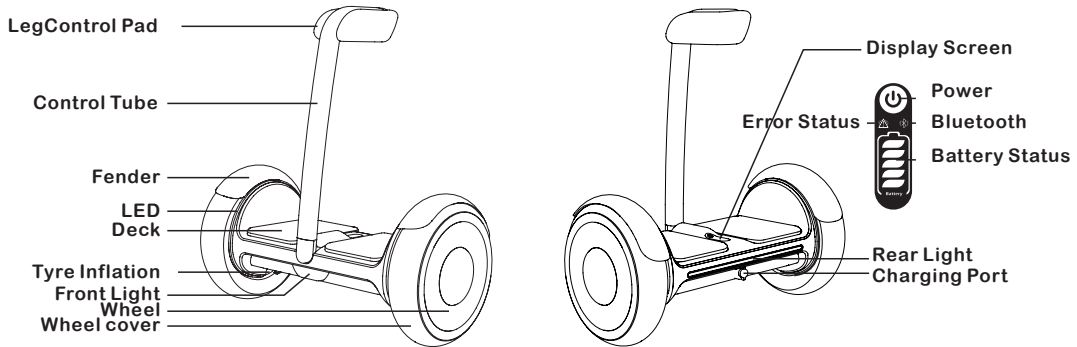


3.3 Size and Direction

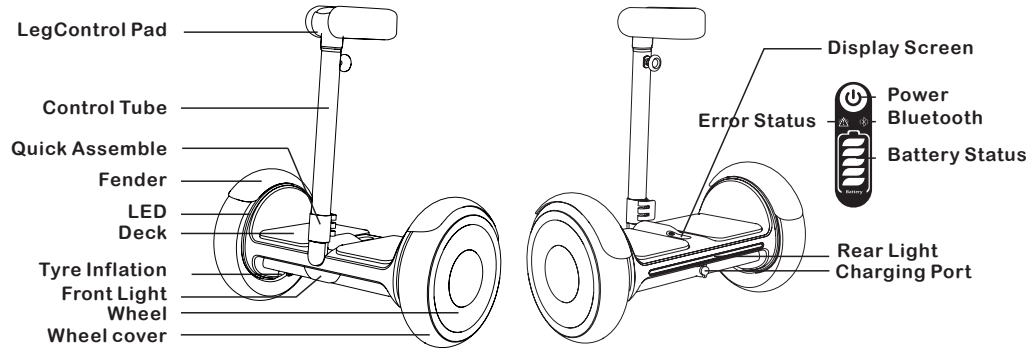


3.4 Parts

E2



E3



Power Switch: Turns the main power on/off. Allow to stand for 10 minutes in the assisted self-balancing mode and automatically turn off the power after 10 minutes. 10 seconds before the power is automatically turned off, the power will be automatically turned off after 3 prompts. When prompted, step on the pedal or push the vehicle to continue to enter the self-balancing mode. 10 minutes light effect on boost self-balancing mode: In the first 2 minutes, the hub light and the rear tail light are in the breathing effect. In the last 8 minutes, the light will be in sleep mode and slow rotation effect.

Error Indication: When the car has an internal circuit failure, the indicator light will flash red.

Bluetooth Indication: When the Bluetooth icon is flashing, it means that Bluetooth is turned on but the phone is not connected. The Bluetooth icon is always on, indicating that the app is connected.

Battery Indication: Each battery cell represents 20% of the battery charge. When the icon flashes, it means the battery is exhausted. Please use it after charging. With the App, you can see more accurate remaining power and estimated mileage that can be driven. When the battery power is lower than 30%, the speed will be gradually adjusted and the pedal will be lifted. When the battery is lower than 10%, the speed will be limited to 5km/ h.

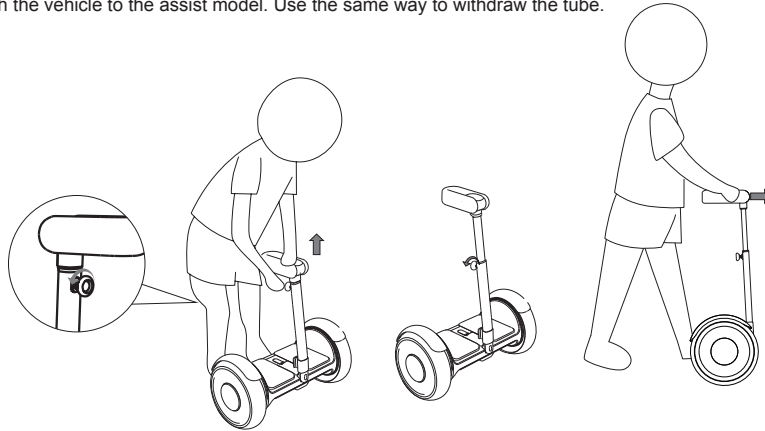
3.5 Product Specification

Index	Item	Specs (E2)	Specs (E3)	Notes
Steering rod configuration	Leg Controller	Yes	Yes Quick Assemble	1The cruising range is 25 ° C, the speed is 12Km / h, 75KG load, measured in a flat road environment. Driving habits, ambient temperature, road environment, load capacity and other factors will affect the cruising range. Different models and different battery models will result in different cruising range. 2With full power and 75kg load in a flat road, speed is 18km/h.
	Long handle bar	Optional	Optional	
Weight	Net Weight (kg)	~ 13.5	~13.5	
	Max Load (kg)	90	100	
Size	L × W (mm)	262 × 550	260 × 550	
	Height (mm)	590	590	
Main Specification	Mileage ① (km)	~ 22	~ 30	
	MaxSpeed(km/h)	~ 18	~ 18	
	Max Slope	~ 16 °	~ 25°	
	Working Temp.	-10°C ~ +40°C	-10°C ~ +40°C	
	Storage Temp.	-2 0°C ~ +45°C	-20 °C ~ +45°C	
	IP	IP54	IP54	
Battery Specification	Voltage (V)	54	54	
	Max Charge Vol (V)	63	63	
	Capacity (Wh)	236	300	
	Intelligence BMS	Yes	Yes	
Motor	Power Rating (W)	350 × 2	400 x2	
	Max Power (W)	700 × 2	800 x2	
Charger	Rated Power (W)	63	63	
	Input Voltage (V)	AC 100~240V 50/60Hz	AC 100~240V 50/60Hz	
	Output voltage (V)	~ 63	~63	
	Rated current (A)	~ 1.0	~1.0	
	Charging time (h)	~ 4	~5	

4. Production Function

4.1 Power booster and boost mode(For E3)

The Inmotion E SERIES SCV's unique drawbar design, combined with the body-assisted mode, makes it easy and convenient for both riding and pulling. When the user is not willing to ride, or is not suitable for riding (such as low battery, steep ramp, slippery road, sand, bumpy road, crowded environment), you can use the booster to pull and steer the vehicle. Press the middle button of the handle and lift it up. When the tube reaches the highest position, the tube will automatically lock, push the vehicle to the assist model. Use the same way to withdraw the tube.



4.2 Anti-Spinning Function

Due to the uniqueness algorithm of the self-balancing vehicle, the motor will accelerate and fly until it is turned off if the vehicle is off the ground. The vehicle may go off your hand when you put it back to the ground, due to the motor is accelerating. In some occasions, such as elevators, stairs, buses, or crowded place, there is a risk of encountering others.

The E SERIES SCV is designed with anti-spinning function according to the characteristics. When the user holds the handle and press the anti-spinning button and lift the vehicle completely, the vehicle will detect the lifting and give off the sound and turn off the motor control. If you put the car on the ground again, the vehicle will also detect the state of the drop and give a sound and turn on the motor control. At this point, the car will return to normal and can continue to use.

Notice:The vehicle can only be lifted at the position of the leg protector. It is forbidden to lift the vehicle with the grip of the push rod, which will damage it.

4.3 Overload Protection

When the E SERIES SCV is used for a long period of high load, such as continuous climbing, frequent acceleration and deceleration, etc., the vehicle components may have an overload condition such as excessive temperature or excessive power. In order to protect the safety of users and meet the requirements of relevant regulations. The vehicle will give an alarm prompt (sound prompt and LED panel warning code prompt), and continue to lift the pedal to indicate that the user should getting off. When the user gets off the vehicle, the vehicle will turn off the motor control, and the user should turn off the vehicle power and stop using it. After the vehicle status returns to normal, you can continue to use it.

4.4 Bluetooth

E SERIES SCV has built-in data Bluetooth, BlueTooth 4.0 BLE module for interacting with the Inmotion APP to connected vehicle. Inmotion E SERIES SCV Bluetooth, BlueTooth 4.0 BLE name is: E2 or E3-XXXXXXXX, where XXXXXXXX is the last 8 digits of the product serial number. BLE Bluetooth needs to be connected via the Inmotion APP, and you cannot use your phone to set up a connection. Users can use the APP and the vehicle for more interactive use.

4.5 Lights

The E SERIES SCV features colorful ambience lights on the left and right sides and at the rear. In the riding state, the ambient light effect on the left and right sides will rotate according to the riding speed. When the braking moment and reverse riding, the tail atmosphere light will be red. When turning, the water indicating according to the direction of the turning, the user can also switch different display lighting effects through the APP. By pressing and holding the button for 3 seconds, you can switch the left and right hubs, or use the APP remote control switch. In the event of a fault, all ambient lights flash red together. There are lights in the middle of the vehicle. The front light automatically senses to turn on the light according to the riding brightness environment at that time, and can also forcibly turn off the light through the APP.

4.6 Mobile APP

Inmotion APP is designed for Inmotion users by Shenzhen Inmotion Technologies Co., Ltd., which enables you to control E2 balance cars, make friends, post articles, participate in Inmotion events, and purchase Inmotion accessories. The Chinese name of the mobile client is: 乐行天下. The English name is: INMOTION. Users can get it from Inmotion official website or the corresponding APP Store (IOS system: Apple AppStore; Android system: Google Play). With the Inmotion App, you can achieve the following functions: remote shutdown, switch lights, display speed, mileage, power, body parameter settings, fault detection, after-sales service, etc.For more detailed functions of the Inmotion APP, please go to the official website to download the APP.

Note

Inmotion SCV is connected to mobile phones via Bluetooth 4.0 BLE, suitable for Android 4.3 and above, IPHONE4S and above, IOS7.0 and above.

5. How to use Inmotion SCV

5.1 Prepare

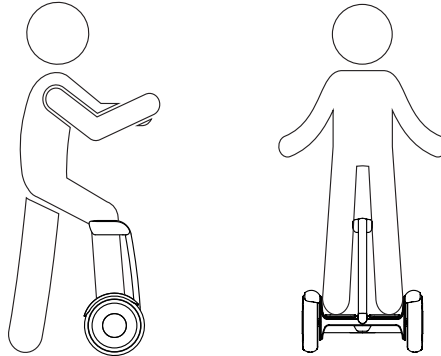
Before you ride your car for the first time, choose the right venue and learn how to operate this product. Whether indoors or outdoors, there must be at least 4*4m (16m²) flat ground, no obstacles such as motorcycles and bicycles, no pets, children and other objects distracting. An assistant who has experience in this type of vehicle riding, or who is familiar with safety precautions and demonstration videos, is familiar with this manual. Be sure to wear a helmet and protective gear to avoid injury.

5.2 Power on

Righting up the E SERIES SCV, press the power button on the vehicle panel to turn it on. After the vehicle is turned on, there is a prompt tone and automatically enters the balance state. At the same time, the ambient light self-test, the LED panel will display the current battery power and the Bluetooth connection status.

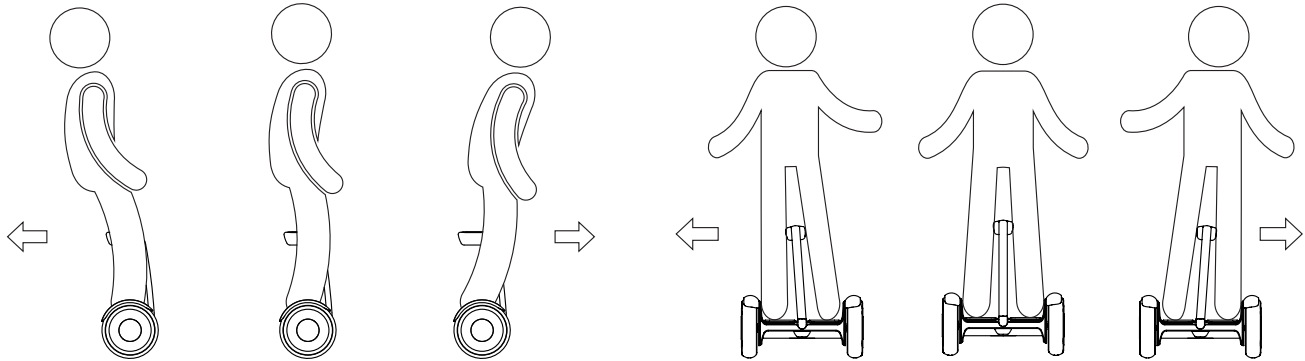
5.3 Get on and maintain balance

Beginners usually only need 3 minutes to learn to ride, the coach stands at the front end of the E SERIES SCV, holding the beginner's hands in balance to get on the car, to avoid beginners losing balance due to nervous or incorrect standing. After standing on the balance car, beginners should look straight ahead instead of looking down. After one foot stands on one side of the pedal, keep the weight of the body evenly distributed on the pedals, keeping the center of gravity steady (Imagine you stand straight when you move forward) The other foot is slowly placed on the other side of the pedal (imagine how you stand on the ground), I believe that I have the ability to maintain the balance of the vehicle, keep calm and relax, and proceed step by step.



5.4 Forward, Backward, Brake

The body slowly leans forward and the body moves forward. Standing upright can slow down and stop moving. Properly control the speed of the car and practice a few moves to help understand how to use the center of gravity to control the balance car movement. Tilting backwards slowly reverses the balance car backwards. Stand up and slow down and stop moving. Practice a few moves to avoid falling over the wall or hitting an obstacle. When moving forward or backward, gradually stand up straight, when the body is perpendicular to the balance car, you can move forward, back or stop. Evenly distribute the body weight on the pedals.



5.5 Turning

Turn the weight of your feet to the direction you want to move to turn. Move the weight of your feet to the left or right and the E SERIES SCV will turn in the corresponding direction. When practicing the first time, turn the weight of your feet slowly to the direction you want to move. E SERIES SCV will turn accordingly. When E SERIES SCV turns to the corresponding angle, stop tilting. Practice several times and turn to grasp how to operate.

5.6 Climbing

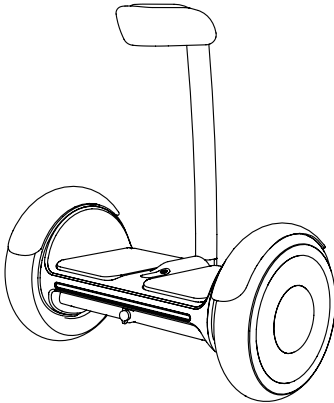
When you are ready to climb, make sure the E SERIES SCV is in a balanced state. You cannot lift your feet from the pedal at the same time. Keep the center of gravity steady when climbing, can't move forward, back and turn.

5.7 Speed Limitation

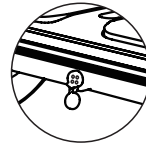
In the riding state, when the vehicle reaches a limited speed (adjustable), the vehicle will give an alarm and raise the pedal to indicate that the user is slowing down. When the vehicle speed is lower than the limit speed, the alarm disappears and the pedal gradually returns to the normal angle.

5.8 Charging

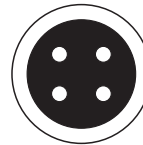
Please use the included charger to charge the battery. The charging indicator turns red to indicate that it is charging. The indicator turns green to indicate that the battery is fully charged.



charging port



open the rubber part of charging port



put the plug inside the charging port

5.9 Balance Calibration

When the user feels that the vehicle is not flat in the normal riding state, the vehicle posture can be corrected by the balance calibration. When the vehicle is turned off, keep the vehicle level and stand still. Press and hold the switch button for 3~5s. When the “Beep” sound is heard, it indicates that the vehicle calibration is completed. After the calibration is completed, you can restart the experience. If the body posture is uncomfortable, you can repeat the calibration.

6. Maintenance

6.1 Storage

Unreasonable storage can result in reduced battery life or other hazards in the car. Store the E SERIES SCV in a dry, temperature and humidity room. If you do not use E SERIES SCV for a long time, please charge the battery at room temperature and charge it at least once a month.

6.2 Tires Maintenance

Insufficient air pressure in the tire, please inflate in time. The default factory tire pressure of E SERIES SCV is 2.4Bar. If the E SERIES SCV needs to be replaced due to a puncture, etc., please contact an Inmotion authorized dealer or Inmotion after-sales department for repair.

6.3 Cleaning

6.3.1 Make sure the vehicle is turned off before cleaning, unplug the charging cable, and close the charging port. During the cleaning process, be careful not to allow water to flow into the charging port.

6.3.2 Wipe the outer casing of the E SERIES SCV with a soft cloth dampened with soapy water or water. Do not use a high pressure water jet to flush the E SERIES SCV. 6.3.3 E SERIES SCV's waterproof and dustproof rating is IP54, which is splash-proof and dust-proof. Therefore, it is not possible to immerse the E SERIES SCV in water, which will cause permanent damage to the E SERIES SCV.

6.3.4 Do not drive the E SERIES SCV in the rain to avoid falling or causing damage to the vehicle.

6.3.5 Do not place the E SERIES SCV near fire or extremely hot places to avoid battery damage or even explosion due to fire hazards.

Warning: This product contains lithium battery which is considered as dangerous good. Please get local law approval when shipping. If you need to ship the product by airplane or ship by other specific methods of transportation, please contact Shenzhen Inmotion Technologies Co., Ltd. or after sales service center.

7. Law Statement

Inmotion E SERIES SCV can be used as a smart and portable means of transport, but it cannot replace existing vehicles. When you use E SERIES SCV as a means of transportation for short trips, there may be injuries and other risks caused by falls, collisions, etc., in order to reduce (but not completely eliminate) possible risks to ensure the safety of you and others. You have the responsibility and obligation to carefully read and study the "Inmotion E Series Sensor Control Vehicle User Manual", and be familiar with how to use E SERIES SCV, and fully understand the warnings and precautions and the following legal notices.◦

7.1. Use statement

For your safe use and good experience, we especially ask you to use the product strictly as follows:

7.1.1. Make sure to read and fully understand the "Inmotion E Series Sensor Control Vehicle User Manual" before you can use it.

7.1.2. Please do not let people who have not read and fully understand the "Inmotion E Series Sensor Control Vehicle User Manual" use your E-Series SCV.

7.1.3. Please follow the driving age requirements of 12 years old to 60 years old as specified in the "Inmotion E Series Sensor Control Vehicle User Manual". Do not let people who are not in this age range to use it.

7.1.4. Do not let pregnant women and persons who has physical or psychological issues to use it.

7.1.5. Do not drive when you are sick or taking drugs or drinking alcohol, etc.

7.1.6. E SERIES SCV is a single-person vehicle. It is forbidden to ride more than one person at the same time. It

is forbidden to hold children or ride on over weights.7.1.7. Before driving, please make sure that you are able to freely control physical and mental conditions and control the E SERIES SCV without assistance.

7.1.8. Please do not modify or repair E SERIES SCV in person or by unauthorized person. If you have any problems with the product, please feel free to contact Inmotion after sales, this is your most secure choice.

7.1.9. Please make sure that E SERIES CSV does not exist in any loose, damaged, faulty and other abnormal conditions.

7.1.10. Before charging, please make sure the charging port is dry, no fault, no foreign matter. When charging, be sure to insert the correct charger(100V-240V/50HZ-60HZ) and avoid contact between children and pets, away from flammable materials.

7.1.11. The battery for E SERIES SCV must be placed in an environment of -10 ° C to 45 ° C. Do not placed the battery with temperatures above 45 ° C.

7.1.12. If the battery leaks (including damage, odor, smoke or overheating), stop using it immediately and avoid contact with other objects.

7.1.13. Do not attempt to open or disassemble and perform any abnormal operation and use on the battery. 7.1.14. Fully charged E SERIES SCV (display shows 5 grids), up to 180 days of standby time due to battery status and environmental conditions. The E SERIES SCV is not fully charged (the display shows 1 grid), and the standby time is up to 30 days. Please pay attention to the standby time to prevent irreparable damage to the battery caused by not charging in time.

- 7.1.15. Do not ride E SERIES SCV in unsuitable shoes such as high heels, loose clothing, etc., and must wear professional protective gear when riding it.
- 7.1.16. When driving E SERIES SCV, it is highly recommended that you wear protective goggles to prevent dirt, dust or insects in the air from causing damage to your eyes and possible adverse effects during driving.
- 7.1.17. Do not ride E SERIES SCV in rainy weather and other wet roads. Because the road surface is slippery, the tire resistance is reduced, the brake braking distance is lengthened, and it is easy to slip. The E SERIES SCV may be out of control and cause other accidents.
- 7.1.18. Please use a dry soft cloth to clean the vehicle. Do not use strong water or high-pressure hose to clean the vehicle. Do not immerse the E SERIES SCV in water to avoid uncontrollable risks, abnormalities, accidents, etc.
- 7.1.19. Do not use E SERIES SCV in adverse weather conditions such as inclement weather, low visibility, poor lighting, etc. Do not use it in extreme fatigue.
- 7.1.20. In an environment where the light is poor at night, drivers, car drivers and pedestrians are very difficult to pay attention to each other in time. We strongly recommend that you do not ride in the poor light environment at night to avoid possible serious risks.
- 7.1.21. When using E SERIES SCV, please pay attention to changes in the road surface and surrounding environment, and drive carefully to avoid harm to yourself or others.
- 7.1.22. Do not drive in unsuitable road conditions and environments, such as stairs, elevators or through revolving doors.
- 7.1.23. When you drive the E SERIES SCV, make sure to pay attention to the distance between the vehicle, body and obstacles.
- 7.1.24. When you encounter slopes, uneven sections, or other terrains you haven't encountered before, you should never risk riding through.
- 7.1.25. Do not make turns at a high speed. Do not brake suddenly on a smooth road. The above behavior may lead to slippage and other uncontrolled situations.
- 7.1.26. Please drive on non-motorized roads, prohibit driving in unsuitable places such as motor vehicles, and strictly abide by traffic laws and other laws and regulations. When approaching or passing through intersections, motorway lanes, turning places, doorways, etc., please pay attention to deceleration and avoidance, and also have a sense of defense, pay attention to the dangerous behavior that may be caused by vehicles and pedestrians.
- 7.1.27. When driving, please be aware of vehicles, pedestrians, potholes, sewer partitions, railway tracks, expansion joints, road construction, debris and other obstacles that may affect your personal safety.
- 7.1.28. Do not make calls or do any activities or behaviors that distract you when driving E SERIES SCV, make sure you can concentrate on monitoring the external environment at any time.
- 7.1.29. Please follow the direction of the designated bicycle lane or the edge of the road in the direction permitted by the local government and the law of use. No retrograde is allowed.
- 7.1.30. Do not rush with vehicles or pedestrians when driving E SERIES SCV.
- 7.1.31. Do not put your hand on any other transportation vehicles to drag you moving when you riding E SERIES SCV. Do not stunts or do any other extreme sport when riding it.
- 7.1.32. When you need to ride the E SERIES SCV to a distant area, do not drive alone. Prevent possible risks even when working with others.

7.1.33. E SERIES SCV is personal vehicle short distance transporter. Do not use it to do shipments or other improper purposes.

7.1.34. The data and parameters of E SERIES SCV will vary depending on the model. Inmotion is subject to change without notice.

7.2. Personal information statement

7.2.1. Your personal information includes your personal information that you voluntarily enter when you use the Inmotion APP (hereinafter referred to as APP) to register with E SERIES SCV to bind E SERIES SCV and that you voluntarily provide during the use of the product, including but not limited to your name, gender, age, address, contact details, occupation, and the time and place of using our services.

7.2.2. In the process of using the APP, you can provide us with personal information in Car Owner Certification, Product Serial Number Activation, Questionnaire, After-sales Tracking and Return Visit, Request for Comments or Suggestions on Products or Services, and Participation in Activities. It is convenient for us to provide you with better products and services to improve and enhance your user experience.

7.2.3. You have the right not to provide personal information, but if you do not provide some of your personal information, it may result in our inability to provide you with better products and services, and may even affect your use of our products and services.

7.2.4. If you provide any personal information as if you fully agree that Inmotion can use it and disclose it to affiliates, the use of Inmotion and affiliates includes, but is not limited to, Inmotion and affiliates' internal employees, consultants, agents, suppliers, partners.

7.2.5. By agreeing to any of the following conditions, you agree that we may provide your personal information to the relevant third party:

- 1)With your special authorization;
- 2)Mandatory requirements in compliance with relevant laws or by government agencies (including the judiciary);
- 3)Execute the available terms of service (including investigation of possible violations);
- 4)Handling fraud, security or technology issues;
- 5)To the extent required or permitted to protect the user or the rights, property or safety of the public from harm;
- 6)Special and/or emergency needs.

7.2.6. The use, transmission and storage of your personal information includes electronic data, the acts maybe located in or outside China.

7.2.7. For your better use and experience, you fully agree that Inmotion and affiliates may occasionally send you information about products and services and related activities.

7.2.8. In order to protect the security of your information, we will use reasonable and safe measures to protect your personal information from unauthorized disclosure and use. We will also promote the other acceptance and use of your personal information as described in this legal notice. The parties concerned fulfill the same obligations.

You agree that Inmotion will determine the time to store and retain your personal information in accordance with the time required by the purpose of use or any agreement, laws and regulations.

7.2.9. You agree to exempt all claims, liabilities and losses resulting from or in connection with the disclosure and use of your personal information by the recipient and/or affiliates, such as Inmotion and/or affiliates, except for the foregoing claims, liabilities and The loss is caused by direct deliberate acts or gross negligence of the recipient and/or the user.

7.3. Intellectual property statement

Unless otherwise agreed by law or agreement, Inmotion retains all intellectual property rights (including but not limited to copyright, trademark rights, patent rights, and their application rights, enforcement rights, licenses, etc.) for products and their accessories, APP, and websites. No illegal use or other disciplinary action without the prior written consent of Inmotion.

This legal notice applies to the laws of the People's Republic of China.

Inmotion shall not be liable for any claims, liabilities and losses caused by or in connection with any third party breach of this legal notice.

This legal notice constitutes an integral part of the Inmotion product (must be forwarded when reselling the product). You may choose to accept all terms of this legal notice and use Inmotion products. If you use Inmotion products, you agree to accept all the terms of this legal notice and assume any possible risks and liabilities. If you do not agree to accept all the terms of this legal notice after purchasing our products, please do the return processing and ensure that the products and packaging at the time of return are intact, and will not affect the secondary sales. Thank you for your choice and trust in Inmotion. If you have any questions, we are always ready to serve you!

8. Contact Us

Company:Shenzhen Inmotion Technologies Co., Ltd.

Address:18/F, B1, Nanshan iPark, No.1001 Xueyuan Ave., Nanshan, Shenzhen, China 518052 Manufacturer:Huizhou Zerider Technologies Co., Ltd.

Address:Building 3, Desheng Industrial Park, Changbu, Xinxu, Huiyang, Huizhou, P.R.C. 516223 Product Standards:Q/LX001-2014

Phone Number:4000-1000-12

FCC Warning

Any Changes or modifications not expressly approved by the party responsible for compliance could void the user's authority to operate the equipment.

This device complies with part 15 of the FCC Rules. Operation is subject to the following two conditions: (1) This device may not cause harmful interference, and (2) this device must accept any interference received, including interference that may cause undesired operation.

This equipment complies with FCC radiation exposure limits set forth for an uncontrolled environment.

This transmitter must not be co-located or operating in conjunction with any other antenna or transmitter. Note: This equipment has been tested and found to comply with the limits for a Class B digital device, pursuant to part 15 of the FCC Rules. These limits are designed to provide reasonable protection against harmful interference in a residential installation. This equipment generates uses and can radiate radio frequency energy and, if not installed and used in accordance with the instructions, may cause harmful interference to radio communications. However, there is no guarantee that interference will not occur in a particular installation. If this equipment does cause harmful interference to radio or television reception, which can be determined by turning the equipment off and on, the user is encouraged to try to correct the interference by one or more of the following measures:

- Reorient or relocate the receiving antenna.
- Increase the separation between the equipment and receiver.
- Connect the equipment into an outlet on a circuit different from that to which the receiver is connected.
- Consult the dealer or an experienced radio/TV technician for help.



INMOTION APP



Wechat