

INMOTION TECHNOLOGIES CO., LTD.

ADD: 18F, B1, Nanshan i Park, No.1001 Xueyuan Ave., Nanshan District, Shenzhen, China

Tel: 0755-86534506 Fax: 0755-86534506

E-mail: wangchao@imscv.com

DECLARATION OF SIMILARITY

Date: 2019-3-14

FEDERAL COMMUNICATIONS COMMISSIONS

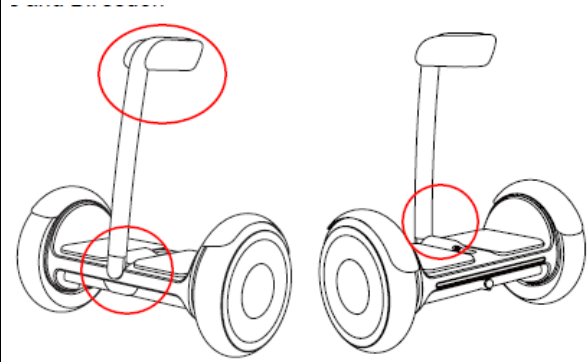
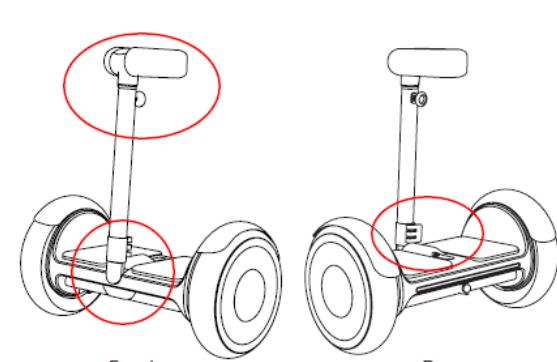
Authorization and Evaluation Division

7435 Oakland Mills Road

Columbia, MD 21046

Dear Sir or Madam:

We, INMOTION TECHNOLOGIES CO., LTD., hereby declare that product: Electrical Self-balancing Vehicles, (FCC ID: 2ADUSE2), Model number: E2, E2F, E2L, E3, E3F, E4 have the same main PCB, Material, function and the difference are model name, battery capacity and appearance for our marketing purpose.

Difference						
Model	E2	E2F	E2L	E3	E3F	E4
Battery Capacity	236Wh			300Wh		
Appearance	 <p>Front Rear</p>			 <p>Front Rear</p>		

Except the differences above, we declare the products are electrically identical. We guarantee all the information provided above is true, and notice that we'll bear all the consequences caused by any false information or concealing.

Please contact me should there be need for any additional clarification or information.

Best Regards,

Chao Wang
Manager

