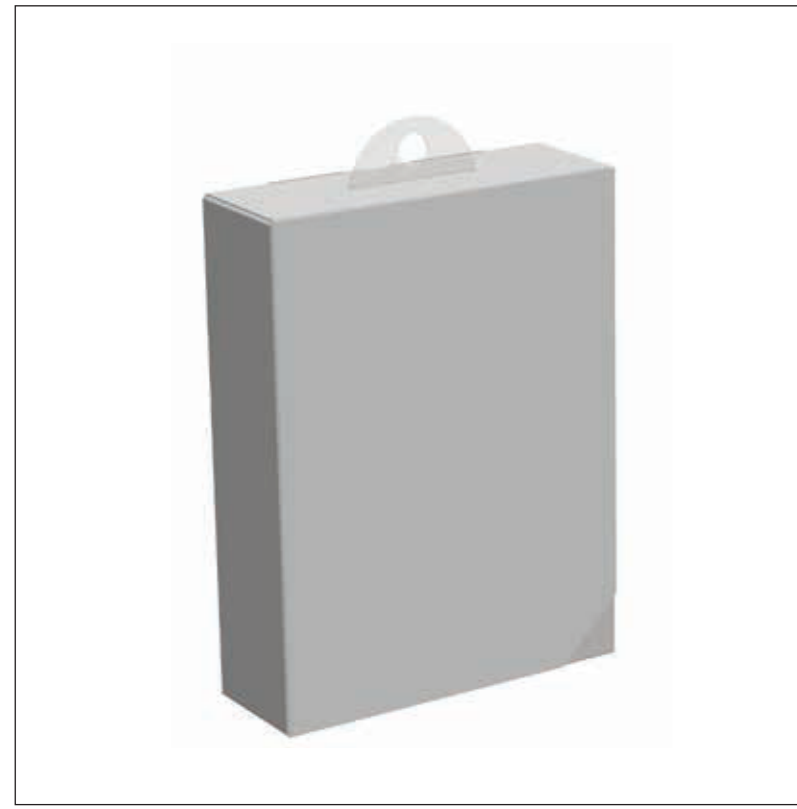
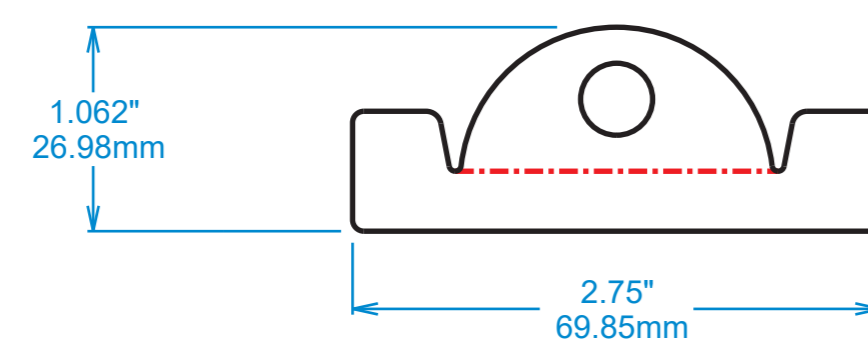
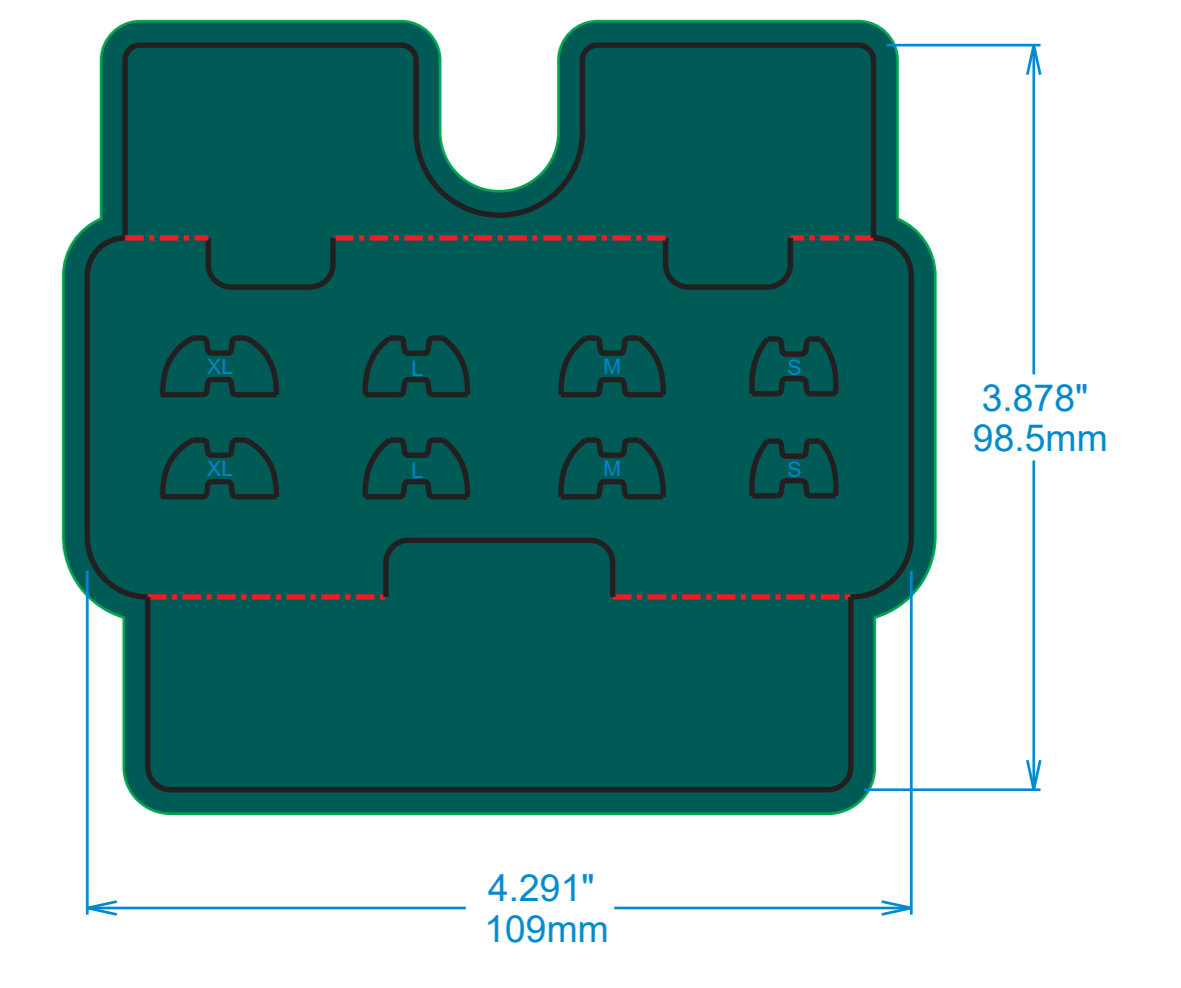
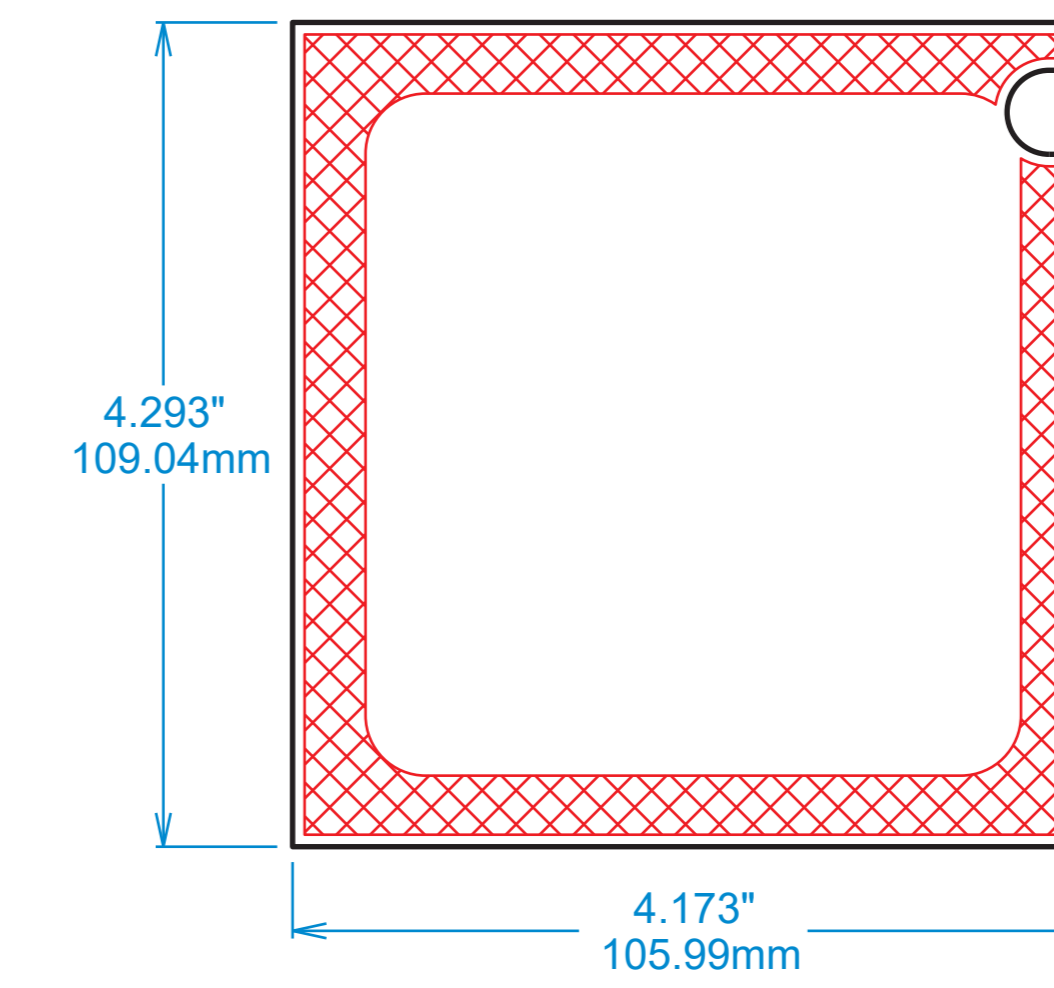
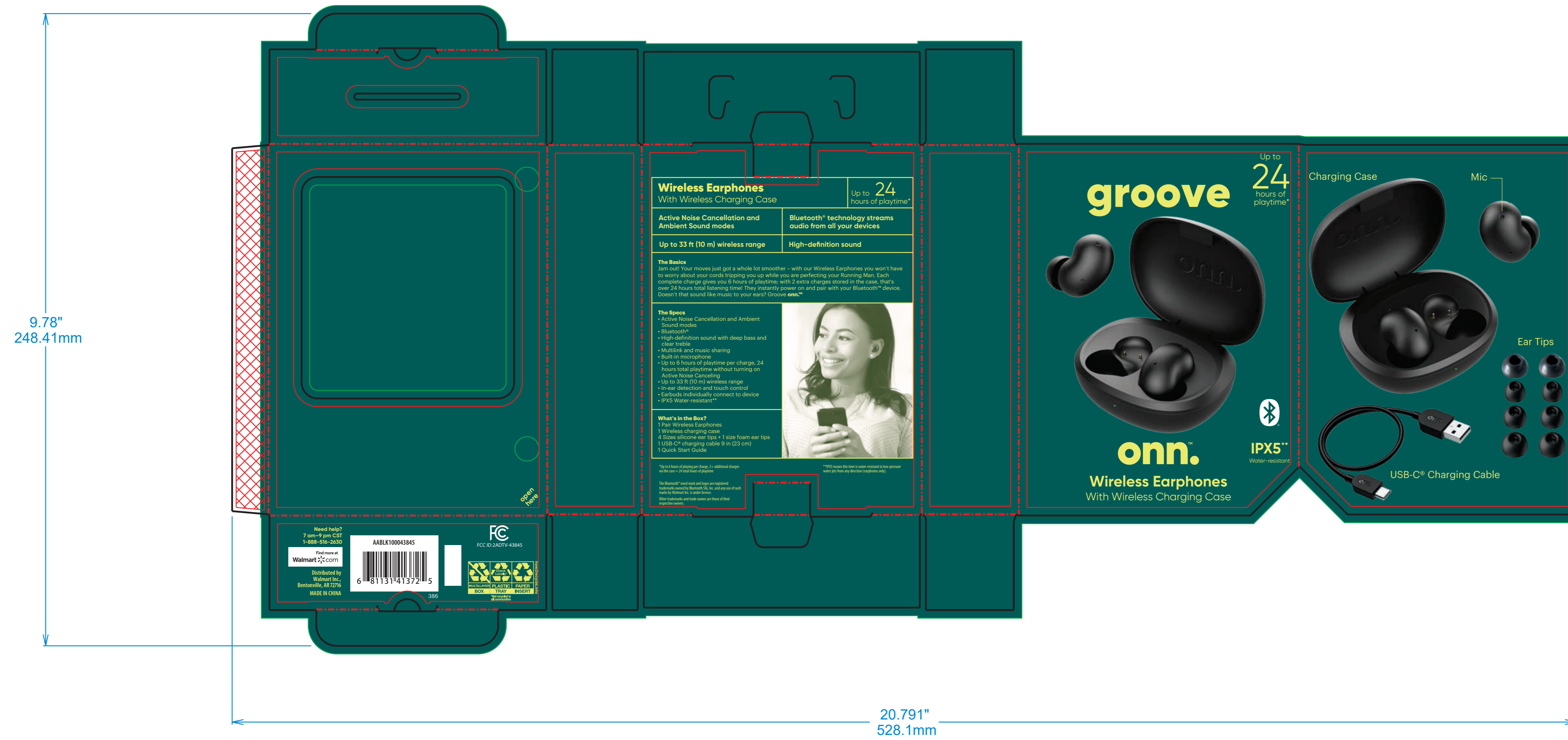




Cannice
 100043845_ANC - Bean TWS Earphones
 OPT01
 03.26.21



4.331"W x 6.5"H x 1.5"D



ATTENTION SUPPLIER:

The approval of this artwork for production also indicates that the final packaging dimensions have been approved by Walmart PD team member and UPC number is correct.

Specifications for Packaging Art Adaptation		Walmart Private-Brand Packaging		Separations		File produced by:													
File name:	100043845_Cannice_ANC - Bean TWS Earphones_ARS8035_P9_AR1	Country of origin:	CHINA	<table border="1"> <tr> <td>C</td> <td>M</td> <td>Y</td> <td>K</td> </tr> <tr> <td></td> <td></td> <td></td> <td></td> </tr> </table>		C	M	Y	K							Revision log			
C	M	Y	K																
Job#:	ARS8035	Printer name:	R-PAC	PMS colors		P1: JMB 4/21/21													
Supplier:	Cannice	Printer phone:	212-465-1818	FOREST		P2: SJ 4/28/21													
Packaging type:	box	Printer email:	Tanya.Starace@r-pac.com	CHARTREUSE 386		P3													
Package dimensions:	20.791" x 9.78"	Print material/stock:	350 C15	Total: 6 Colors		P4													
Brand/PD:	onn.	Translation resource:	Techlink	Coating: MATTE VARNISH + SPOT UV		P5													
Department #/Category:	D72	Additional notes:		Note: this color represents outline and does not print		P6: SJ 5/11/21													
Walmart VSN:	100043845	Due to printer:	TBD	<table border="1"> <tr> <th colspan="4">IMPORTANT DATES</th> </tr> <tr> <td>Pack-out:</td> <td>TBD</td> <td>Shipping:</td> <td>TBD</td> </tr> <tr> <td>In-store:</td> <td>TBD</td> <td></td> <td></td> </tr> </table>		IMPORTANT DATES				Pack-out:	TBD	Shipping:	TBD	In-store:	TBD			Fonts: Gilroy Bold Gilroy Regular Gilroy Light Gilroy Regular Graphic Regular Graphic Bold Arial Pro Condensed	
IMPORTANT DATES																			
Pack-out:	TBD	Shipping:	TBD																
In-store:	TBD																		
UPC:	TBD	Packaging Production Contact:	F-pac International, 132 West 367th Street, New York, NY 10018; Tanya Starace, TEL: 212 - 465 - 1818	Walmart Production Contact:		Walmart Tommy													
Additional comments: R-Pac to add bleeds as necessary. Walmart or approved Art Adaptation Resources cannot distribute fonts to printers or suppliers. Fonts can be purchased at: myfonts.com																			

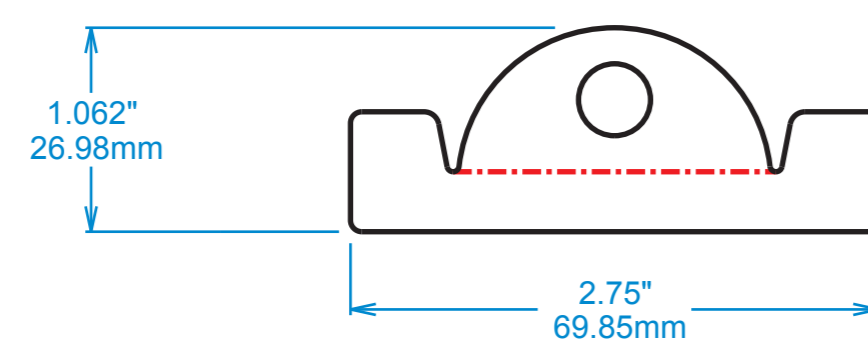
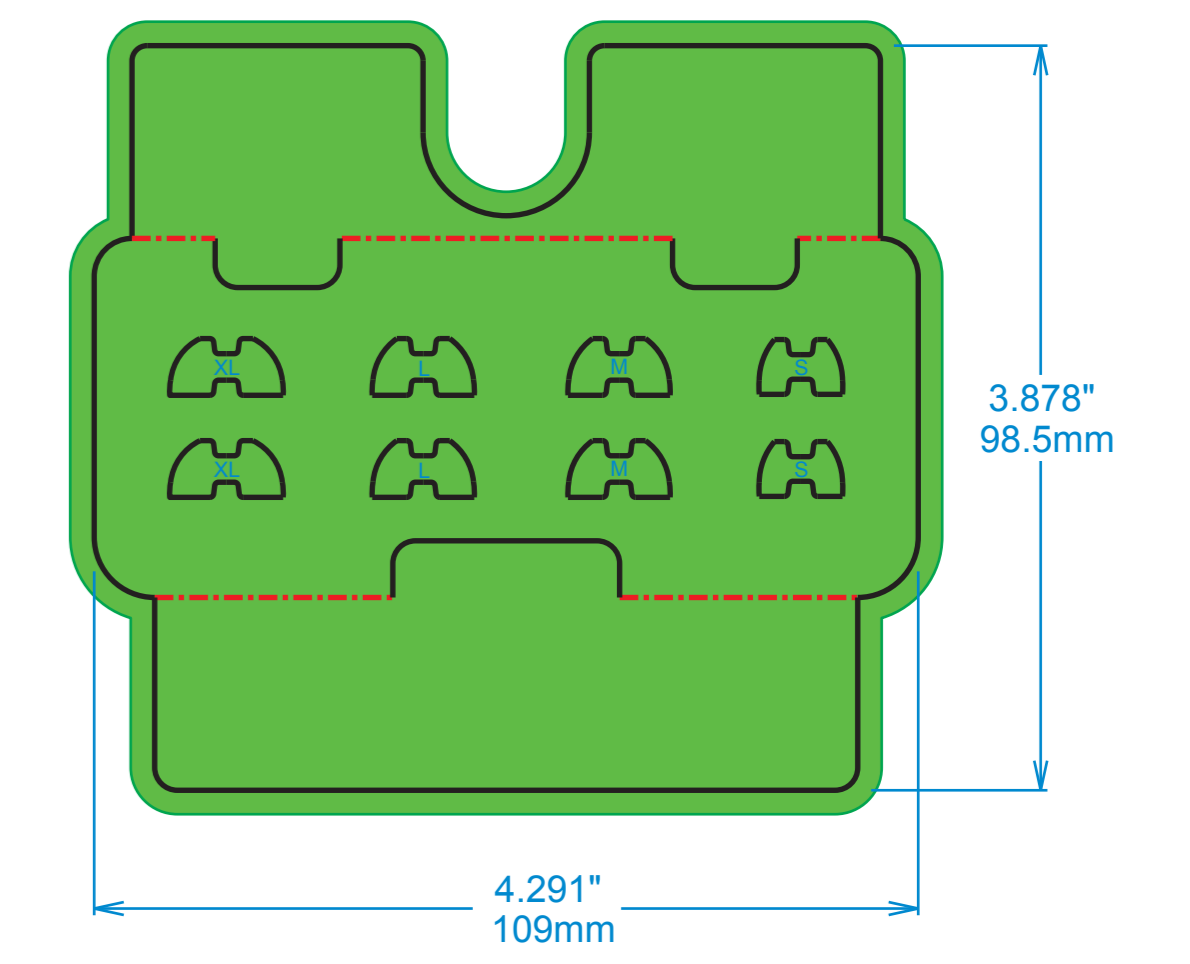
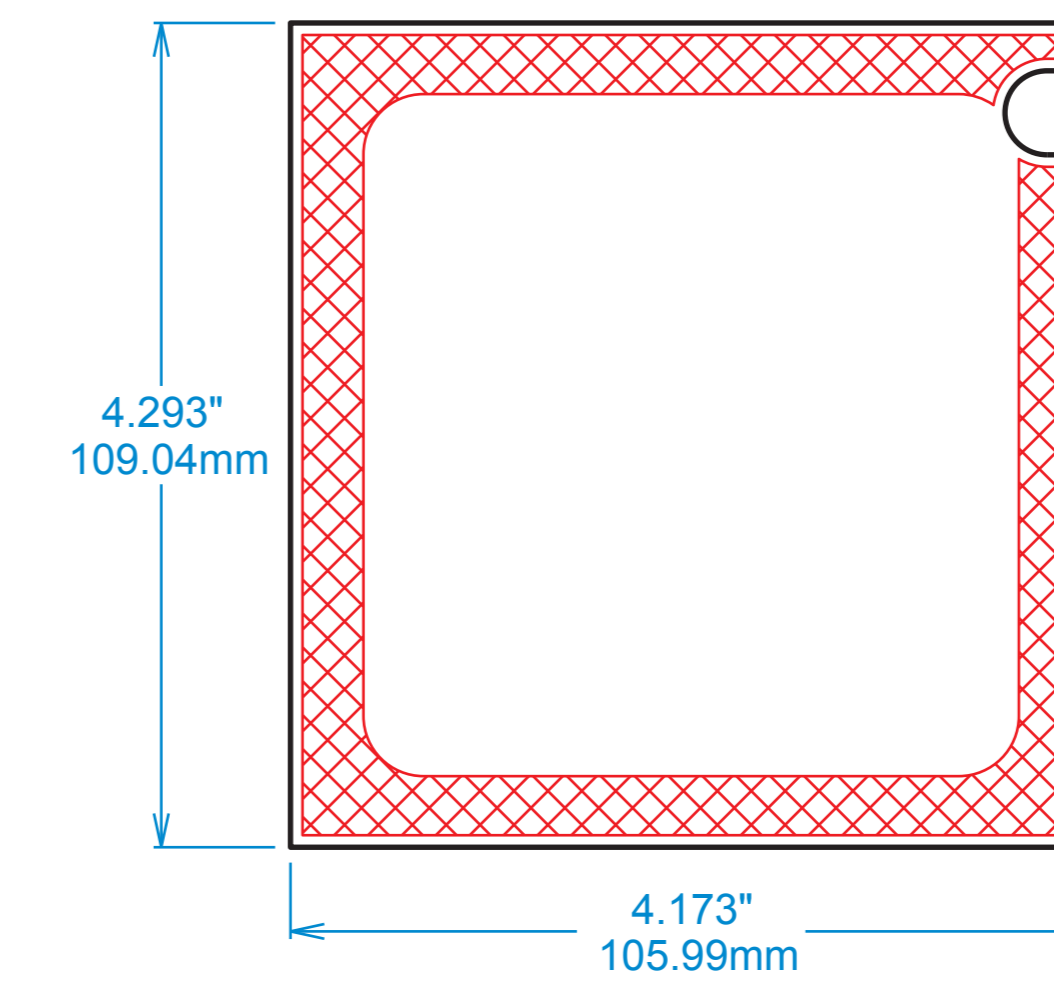
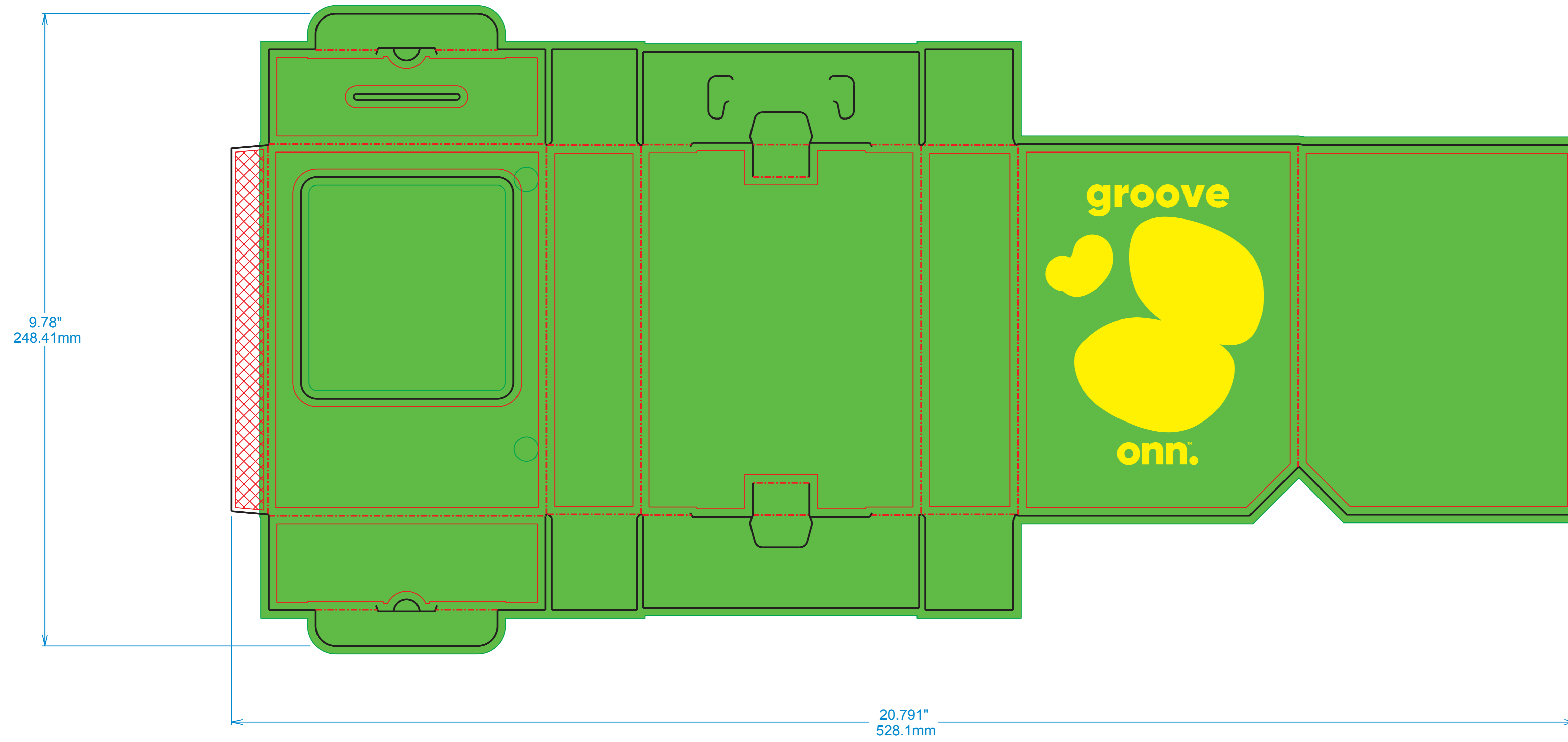
- Cut line
- - - - - Fold line
- Copy safe area
- Outside bleed
- ▨ Glue area



Cannice
 100043845_ANC - Bean TWS Earphones
 OPT01
 03.26.21



4.331"W x 6.5"H x 1.5"D



ATTENTION SUPPLIER:

The approval of this artwork for production also indicates that the final packaging dimensions have been approved by Walmart PD team member and UPC number is correct.

Specifications for Packaging Art Adaptation		Walmart Private-Brand Packaging		Separations		File produced by:	
Job#	AR58035	Country of origin:	CHINA	Process	C M Y K		
Supplier:	Cannice	Printer name:	R-PAC	PMS colors	FOREST		
Packaging type:	box	Printer phone:	212-465-1818	Total	CHARTREUSE 386	Revision log	
Package dimensions:	20.791" x 9.78"	Printer email:	Tanya.Starace@r-pac.com	Coating:	MATTE VARNISH + SPOT UV	P1 JMB 4/21/21 P9 SJ 6/1/21	
Brand/PD	onn.	Print material/stock:	350 C15	Note: this color represents outline and does not print		P2 SJ 4/28/21	
Department #/Category:	D72	Translation resource:	Techlink	IMPORTANT DATES		P3	
Walmart VSN:	100043845	Additional notes:		Due to printer:	TBD	Shipping:	TBD
UPC:	TBD			Pack-out:	TBD	In-store:	TBD
Packing Production Contact: r-pac International, 32 West 30TH Street, New York, NY 10018, Tanya Starace, TEL: 212-465-1818		Walmart Tommy		Fonts: Grovy Bold, Grovy Regular, Grovy Light, Grovy Regular, Graphic Bold, Grovy Pro Sans Bold Condensed		P4	
Additional comments: R-Pac to add bleeds as necessary. Walmart or approved Art Adaptation Resources cannot distribute fonts to printers or suppliers. Fonts can be purchased at: myfonts.com						P5 SJ 5/11/21	

- Cut line
- - - - - Fold line
- Copy safe area
- Outside bleed
- ▨ Glue area