

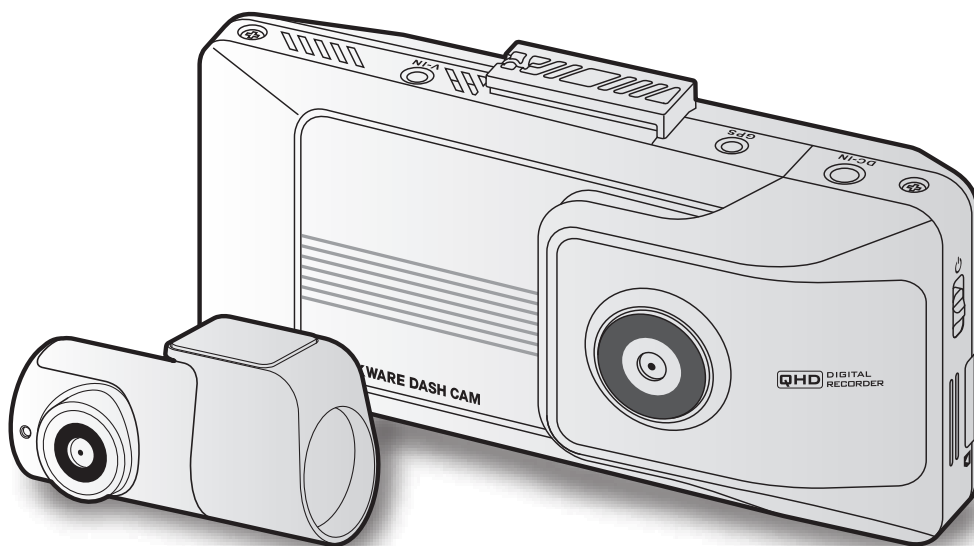
# THINKWARE DASH CAM™

# ARC

## User Guide

This product records videos while the vehicle is operating.

Read and follow the instructions in this guide to properly use and maintain the product.



# Before using the product

## About the product

This product records videos while the vehicle is operating. Use this product only for reference when investigating incidents or road accidents. This product is not guaranteed to record for all events. The device may not record accidents with impacts that are too minor to activate the impact sensor or accidents with massive impacts that cause the vehicle's battery voltage to deviate.

Video recording does not begin until the product is completely turned on (booted up). To ensure that all vehicle events are recorded, wait until the product is completely booted up after turning it on, and then begin operating the vehicle.

THINKWARE is not responsible for any loss caused by an accident, nor is it responsible for providing any support regarding the outcome of an accident.

Depending on the vehicle's configuration or operating conditions, such as the installation of remote door lock devices, ECU settings, or TPMS settings, some product features may not be supported, and different firmware versions may influence the product's performance or features.

## About the user guide

The information provided in the guide may change when the manufacturer updates its service policy. This user guide is intended for THINKWARE ARC models only, and it may contain technical errors, editorial errors, or missing information.

## Copyrights

All rights for the content and maps in this guide are reserved by THINKWARE and are protected under copyright laws. All unauthorized duplication, revision, publication, or distribution of this guide without written consent from THINKWARE is prohibited and is eligible for criminal charges.

## Registered trademarks

THINKWARE ARC is a registered trademark of THINKWARE.

Other product logos and service names in this guide are trademarks of the relevant companies.

---

# Contents

<b>Safety information</b>	<b>4</b>	<b>4. Using the road safety and ADAS features</b>	<b>27</b>
<b>1. Product overview</b>	<b>6</b>	<b>4.1 Road safety features</b>	<b>27</b>
<b>1.1 Included items</b>	<b>6</b>	<b>4.2 ADAS features</b>	<b>27</b>
1.1.1 Standard items	6	4.2.1 ADAS settings	27
1.1.2 Accessories (sold separately)	6	4.2.2 ADAS safety features	28
<b>1.2 Part names</b>	<b>7</b>	<b>5. Settings</b>	<b>29</b>
1.2.1 Front camera (main unit) - front view	7	<b>5.1 Setting the Camera</b>	<b>29</b>
1.2.2 Front camera (main unit) - rear view	8	<b>5.2 Setting recording features</b>	<b>29</b>
1.2.3 Rear camera	8	<b>5.3 Setting road safety features and ADAS features</b>	<b>30</b>
<b>1.3 Removing and inserting the memory card</b>	<b>9</b>	5.3.1 Setting road safety features	30
<b>2. Installing the product</b>	<b>10</b>	5.3.2 Setting Advanced Driver Assistance Systems (ADAS)	30
<b>2.1 Installing the front camera (main unit)</b>	<b>10</b>	<b>5.4 Configuring the system settings</b>	<b>31</b>
2.1.1 Selecting an installation location	10	<b>6. Using the mobile viewer</b>	<b>32</b>
2.1.2 Securing the product	10	<b>6.1 Connect the product to a smartphone</b>	<b>32</b>
2.1.3 Connecting the power cable	12	<b>6.2 Viewing the mobile viewer screen layout</b>	<b>32</b>
<b>2.2 Installing the rear camera</b>	<b>15</b>	<b>7. Using the PC viewer</b>	<b>33</b>
2.2.1 Selecting an installation location	15	<b>7.1 System requirements</b>	<b>33</b>
2.2.2 Securing the rear camera	16	<b>7.2 Learning about the PC viewer</b>	<b>33</b>
2.2.3 Connecting the rear camera cable	17	7.2.1 Downloading the PC viewer	33
<b>2.3 Installing the external GPS module</b>	<b>18</b>	7.2.2 Installing the PC viewer	33
<b>3. Using recording features</b>	<b>19</b>	7.2.3 PC viewer screen layout	34
<b>3.1 Turning the product on or off</b>	<b>19</b>	7.2.4 Playing recorded videos on the PC viewer	35
<b>3.2 Using the LCD display</b>	<b>19</b>	<b>8. Upgrading the firmware</b>	<b>36</b>
<b>3.3 Learning about the LED indicator and file storage locations</b>	<b>19</b>	<b>9. Troubleshooting</b>	<b>37</b>
<b>3.4 Using the continuous recording feature</b>	<b>20</b>	<b>10. Specifications</b>	<b>38</b>
<b>3.5 Recording manually</b>	<b>21</b>		
<b>3.6 Using parking mode</b>	<b>21</b>		
<b>3.7 Using the Night vision feature (main unit)</b>	<b>22</b>		
<b>3.8 About the screen layout</b>	<b>23</b>		
3.8.1 Live view screen	23		
3.8.2 Home screen	24		
<b>3.9 Playing videos</b>	<b>25</b>		

---

# Safety information

Read the following safety information to properly use the product.

## Safety symbols in this guide



"Warning" - Indicates a potential hazard which, if not avoided, may result in injury or death.



"Caution" - Indicates a potential hazard which, if not avoided, may result in minor injury or property damage.



"Note" - Provides useful information to help users better utilize the product's features.

## Safety information for proper use

### Driving and product operation



- **Do not operate the product while driving a vehicle.** Distraction while driving may cause accidents and result in injury or death.
- **Install the product in places where the driver's view is not obstructed.** Obstruction of the driver's vision may cause accidents and result in injury or death. Check with your state and municipal laws before mounting the product to the windshield.

### Power supply



- **Do not operate or handle the power cable with wet hands.** Doing so may result in an electrocution.
- **Do not use damaged power cables.** Doing so may result in an electrical fire or electrocution.
- **Keep the power cable away from all heat sources.** Failure to do so may cause the power cord insulation to melt, resulting in electrical fire or electrocution.
- **Use the power cable with the correct connector and make sure the power cable is connected securely and is firmly in place.** Failure to do so may result in an electrical fire or electrocution.
- **Do not modify or cut the power cable.** Also, do not place heavy objects on the power cable or pull, insert, or bend the power cable using excessive force. Doing so may result in an electrical fire or electrocution.



- **Use only genuine accessories from THINKWARE or an authorized THINKWARE dealer.** THINKWARE does not guarantee compatibility and normal operation of third-party accessories.
- **When connecting the power cable to the product, ensure that the connection between the cable plug and the power cable connector on the product is secure.** If the connection is loose, the power cable may become disconnected due to vehicle vibration. Video recording is not available if the power connector is disconnected.

---

## Children and pets



Ensure that the product is out of the reach of children and pets. If the product breaks, it may result in fatal damage.

## Other information about the product

### Product management and operation



- **Do not expose the product to direct sunlight or intense light.** The lens or internal circuitry may fail otherwise.
- **Use the product at a temperature between 14°F and 140°F (-10°C to 60°C) and store the product at a temperature between -4°F and 158°F (-20°C to 70°C).** The product may not function as designed and some permanent physical damages may result if it is operated or stored out of the specified temperature ranges. Such damages are not covered by the warranty.
- **Frequently check the product for the proper installation position.** Impact caused by extreme road conditions may alter the installation position. Ensure that the product is positioned as instructed in this guide.
- **Do not apply excessive force when pressing the buttons.** Doing so may damage the buttons.
- **Do not use chemical cleaners or solvents to clean the product.** Doing so may damage plastic components of the product. Clean the product using a clean, soft, and dry fabric.
- **Do not disassemble the product or subject the product to impact.** Doing so may damage the product. Unauthorized disassembly of the product voids the product warranty.
- **Handle with care.** If you drop, mishandle, or expose the product to external shocks, it may cause damage and/or result in the malfunction of the product.
- **Do not attempt to insert foreign objects into the device.** Doing so may damage the product.
- **Avoid excessive humidity and do not allow any water to enter the product.** Electronic components inside the product may fail if exposed to humidity or water.



- Depending on the make and model of your car, the power may be constantly supplied to the dash cam even when the ignition is turned off. Installation of the device to a continuously powered 12V outlet could result in vehicle battery drainage.
- This device is designed to record video while the vehicle is in operation. The quality of the video might be affected by weather conditions and the road environment, such as whether it is day or night, presence of street lighting, entering/exiting tunnels, and the surrounding temperature.
- THINKWARE is NOT responsible for the loss of any recorded video during operation.
- Although the device was designed to withstand high-impact car collisions, THINKWARE does not guarantee the recording of accidents when the device is damaged as a result of the accident.
- Keep the windshield and camera lens clean for optimal video quality. Particles and substances on the camera lens or windshield may reduce the quality of the recorded videos.
- This device is intended to be used inside the vehicle only.

---

# 1. Product overview

## 1.1 Included items

Ensure that all the items are included when you open the product box.

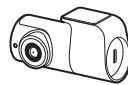
### 1.1.1 Standard items



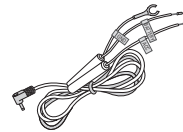
Front camera  
(main unit)



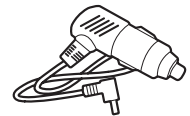
Mount



Rear camera



Hardwiring cable



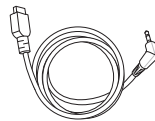
Car charger



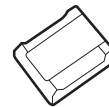
microSD memory card  
(consumable)



Warranty &  
CS information



Rear camera cable

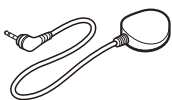


Adhesive cable holder



The standard items may change without prior notice.

### 1.1.2 Accessories (sold separately)



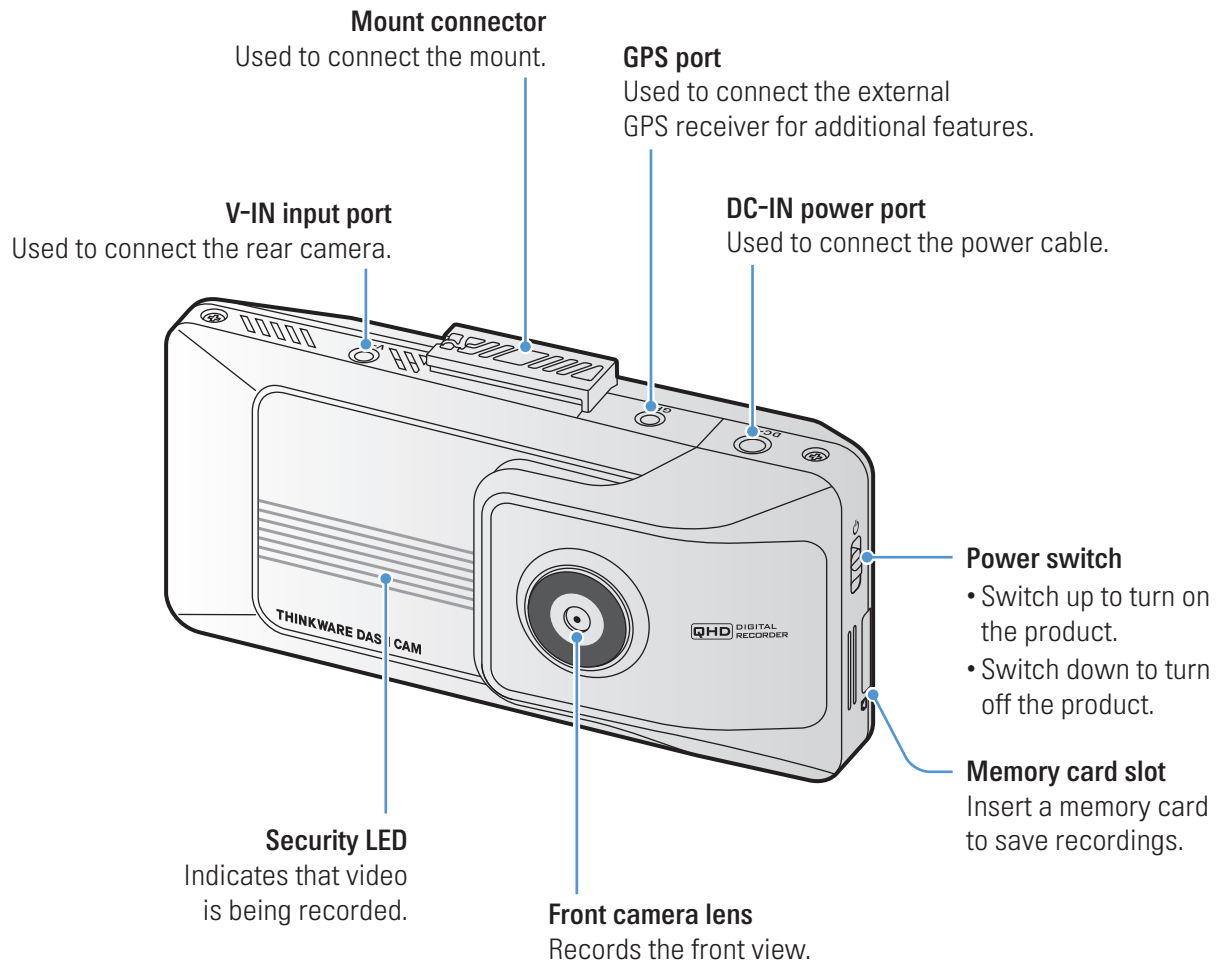
External GPS receiver



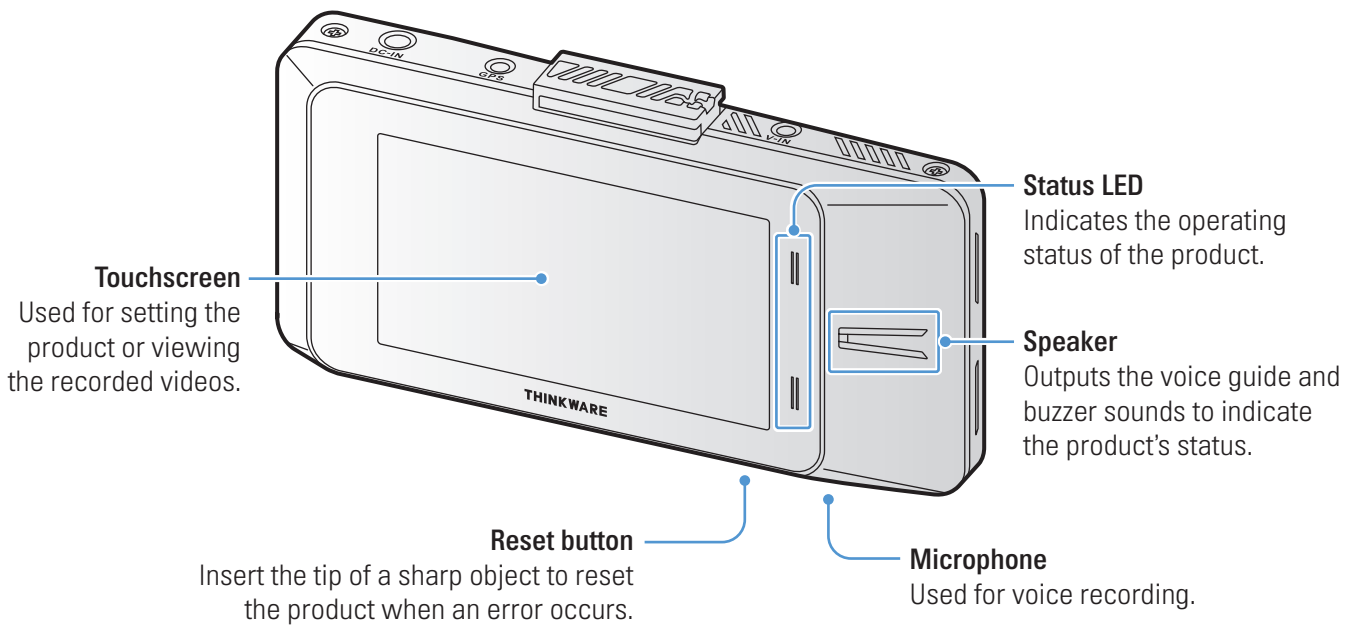
- GPS reception may be affected by interference from the vehicle's windshield, particularly those treated with anti-UV protective coating, or built-in defroster. It is recommended that an external GPS receiver is used when the GPS signal is weak or when you cannot get a GPS signal.
- To connect the external GPS receiver to the front camera, carefully remove the front camera's GPS port cover with a pry tool or a small flat-head screwdriver to access the port.

## 1.2 Part names

### 1.2.1 Front camera (main unit) - front view

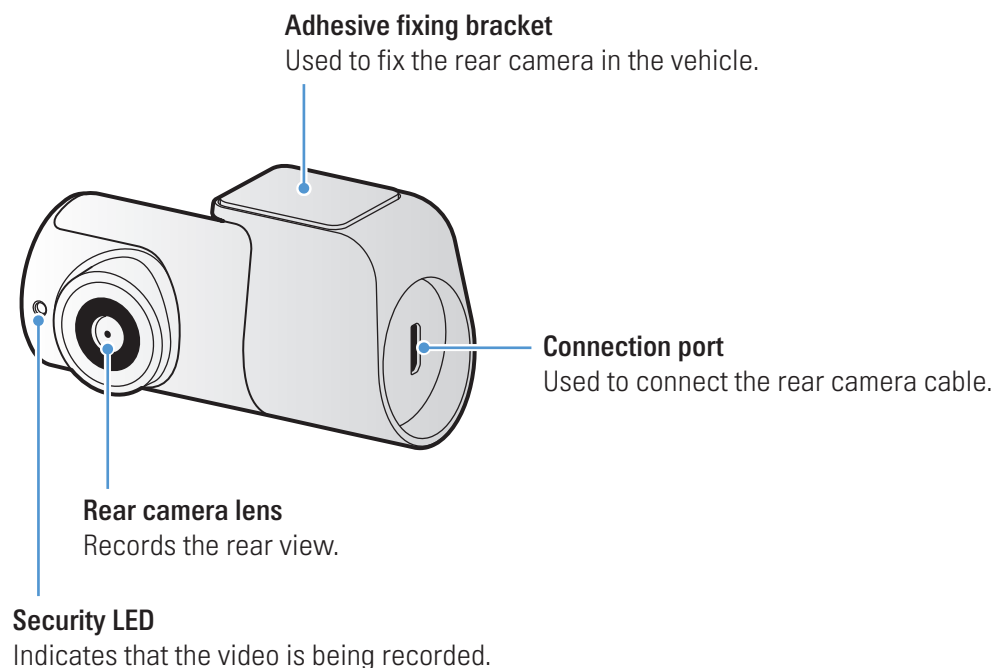


## 1.2.2 Front camera (main unit) - rear view



- This product uses a pressure-sensitive touchscreen. Use appropriate pressure to press the touchscreen, as touches may not be detected if it isn't pressed hard enough.
- Remove the protective film before use. Touching the screen with the protective film left on may result in a malfunction.

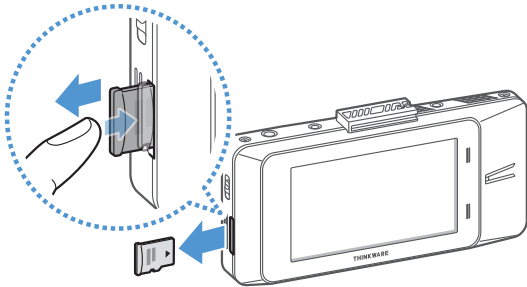
## 1.2.3 Rear camera





## 1.3 Removing and inserting the memory card

Follow the instructions to remove the memory card from the product or to insert the memory card into the product.



Before removing the memory card, ensure that the product is turned off. Gently push the bottom of the memory card with your fingernail to release it, and then remove it from the product.

To insert the memory card into the memory card slot, ensure that the metal contacts on the memory card are facing toward the lens of the product, and insert it into the slot until you hear a click.



- Ensure that the product is turned off before removing the memory card. The recorded video files may be corrupted or lost if you remove the memory card while the product is on.
- Ensure that the memory card is in the correct direction before inserting it into the product. The memory card slot or the memory card may be damaged if it is inserted incorrectly.
- Use only authentic memory cards from THINKWARE. THINKWARE does not guarantee the compatibility and normal operation of third-party memory cards.



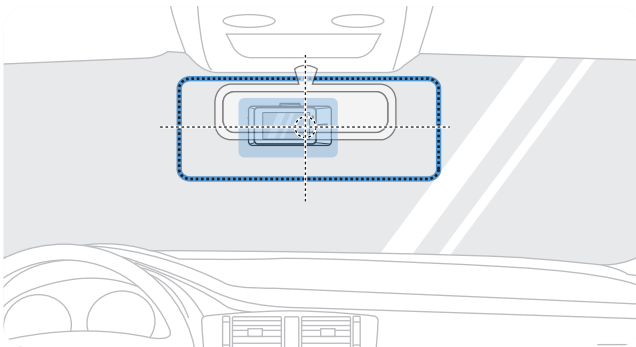
To prevent loss of recorded video files, periodically back up the video files on a separate storage device.

## 2. Installing the product

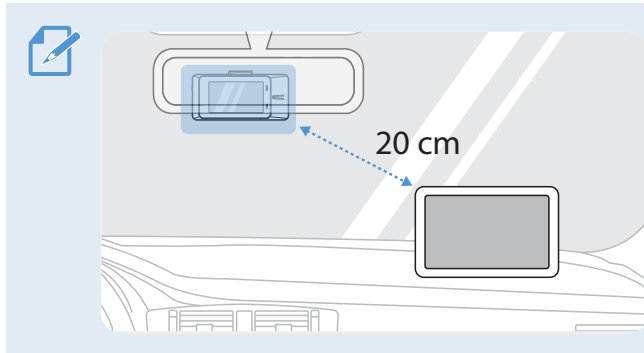
### 2.1 Installing the front camera (main unit)

Follow the instructions to properly install the product.

#### 2.1.1 Selecting an installation location



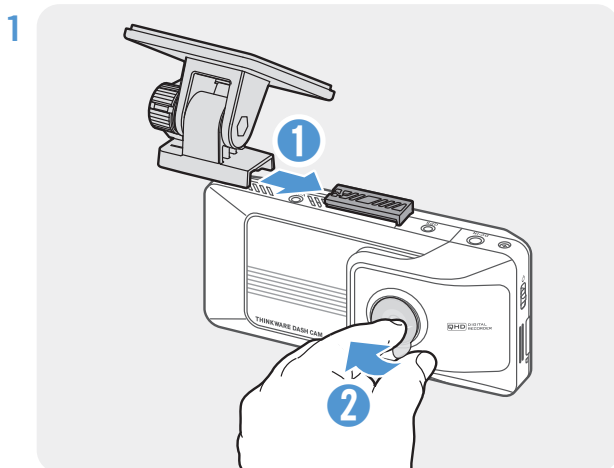
Select an installation location that can record the entire view in front of the vehicle without obstructing the driver's vision. Ensure that the front camera lens is located in the center of the windshield.



If a GPS navigating device is installed on the dashboard, its GPS reception may be affected depending on the dashboard camera's installation location. Adjust the installation location of the GPS navigating device to ensure that the two devices are separated by at least 20 centimeters (approximately 8 inches).

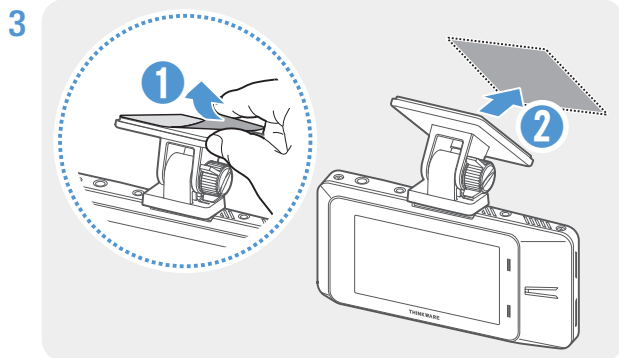
#### 2.1.2 Securing the product

Follow the instructions to secure the product at the installation location.

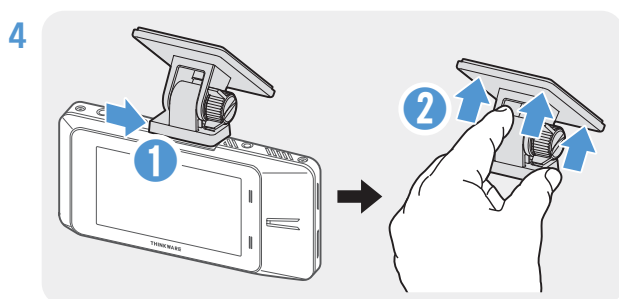


Align the mount to the mount rail on the product, and then slide it until you hear a click (1). Then, carefully remove the protective film (2).

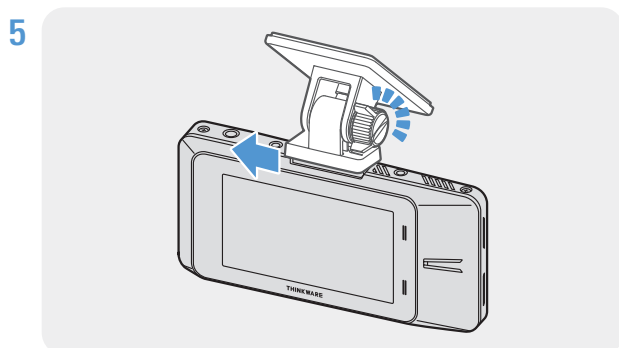
2 After determining the installation location, wipe the installation location on the windshield with a dry cloth.



Remove the protective film from the adhesive mount, and then press the mount to the installation location.



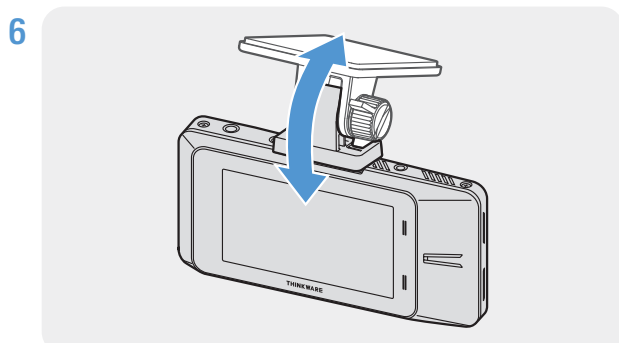
Remove the product from the mount and push the mount against the windshield to ensure that the mount is firmly fixed.



Align the product to the mount, and then slide it into the locking position until you hear a click.



- The product may fall and be damaged during vehicle operation if it is not firmly fixed to the mount.
- If you need to remove the mount from the windshield to alter the installation location, be careful not to damage the windshield's film coat.



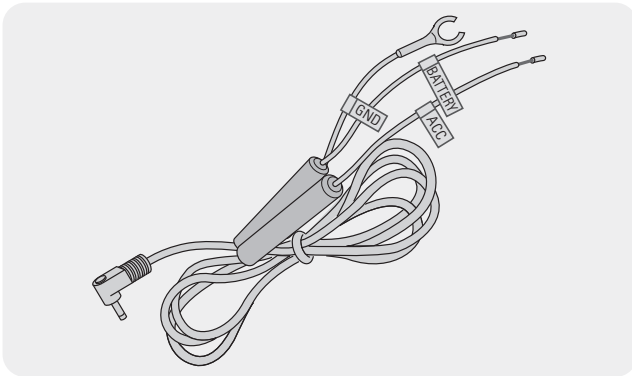
Set the vertical angle of the camera appropriately.

The camera angle must be adjusted again after the installation is complete. Do not completely tighten the fixing screw yet.

## 2.1.3 Connecting the power cable

When the engine and electrical accessories are turned off, connect the continuous power cable or the cigar socket power cable to the product.

### Connecting the continuous power cable



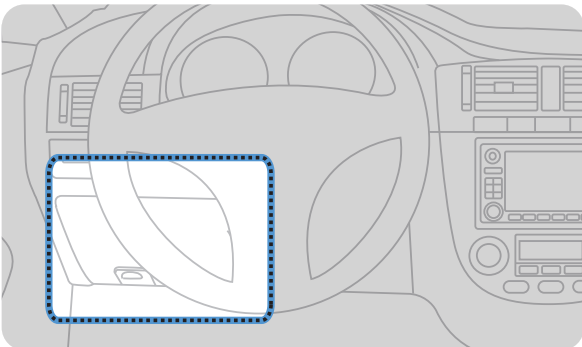
If you connect the product to the vehicle via the continuous power cable, the camera continues operating even when the vehicle is not operating (parking mode). In parking mode, the camera detects impacts to the vehicle and nearby motion and records video.

For more information about parking mode, refer to "3.6 Using parking mode" on page 21.



- The continuous power cable must be professionally installed in the vehicle by a trained mechanic. Contact an authorized service center to connect the continuous power cable to the vehicle. If the product is not installed properly, the product may be damaged or an electrical fire or electrocution may occur.
- Use the authentic THINKWARE continuous power cable only. Using other manufacturer's cable may damage the product or cause electrocution due to the voltage difference.
- When connecting the continuous power cable, pay special attention to wiring. If the wires are connected incorrectly, the product or the vehicle may be damaged.

1

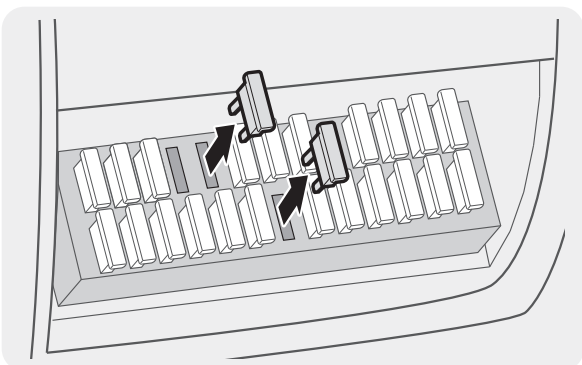


Find the vehicle's fuse box. Usually the fuse box is installed under the driver's seat.



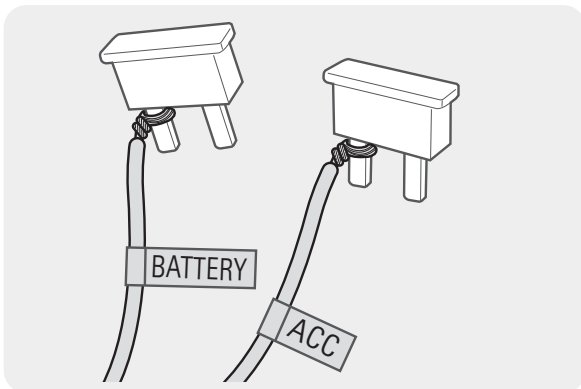
The location of the fuse box may differ depending on the make and model of the vehicle. For more information, refer to your vehicle's owner's manual.

2



Open the fuse box, find the continuous power terminal (which supplies power when the vehicle is off) and the ACC terminal (which supplies power when the ignition status is "ACC ON") by using an electrical tester, and detach the fuses from the terminals.

3



Connect the BATTERY wire to a fuse leg of the continuous power terminal and connect the ACC wire to a fuse leg of the normal (ACC) terminal.

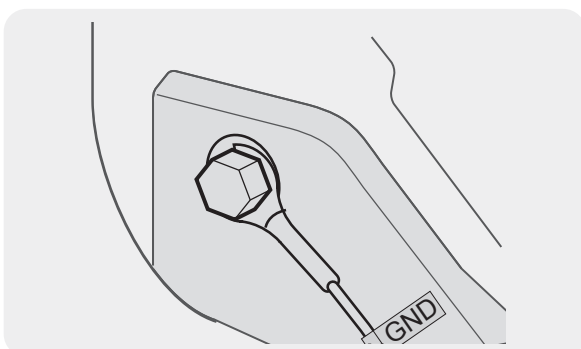
4 Check the fuse panel's input and output contact points by using an electrical tester.

5 Place the fuses back into their locations on the fuse panel, connecting each fuse leg with the wire to the output contact point and taking care not to change the fuse position.



When you install the fuses on the fuse panel, the fuse legs for the BATTERY wire and the ACC wire must be connected to the output terminals respectively. If the fuse leg with the wire is connected to an input terminal, the product or vehicle may be damaged or electrical fire may result.

6

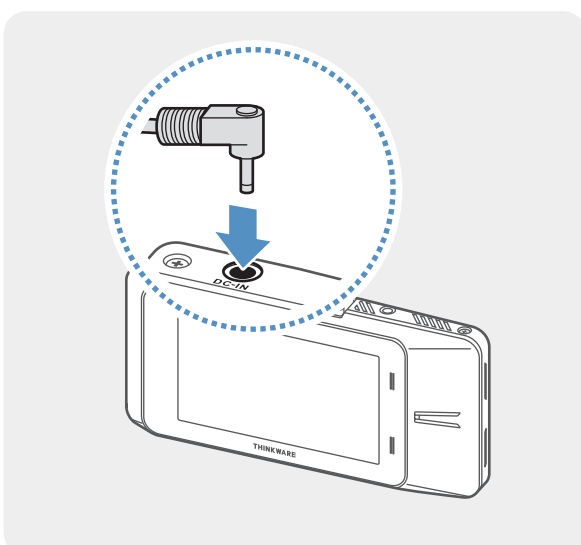


Connect the ground wire (the GND wire) to a bolt attached to a metallic part of the vehicle's body.



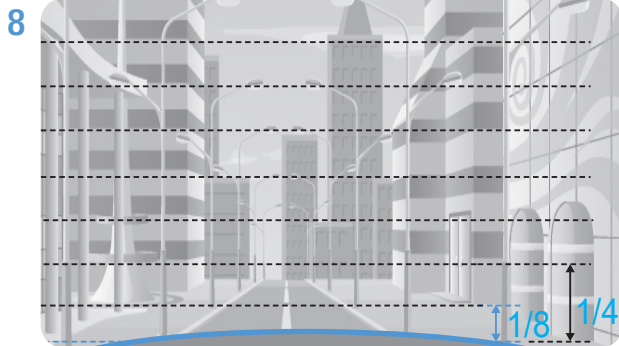
Normally, the metallic bolt that you can connect the ground wire to (the GND wire) is fitted nearby fuse box or the driver seat's door interior.

7

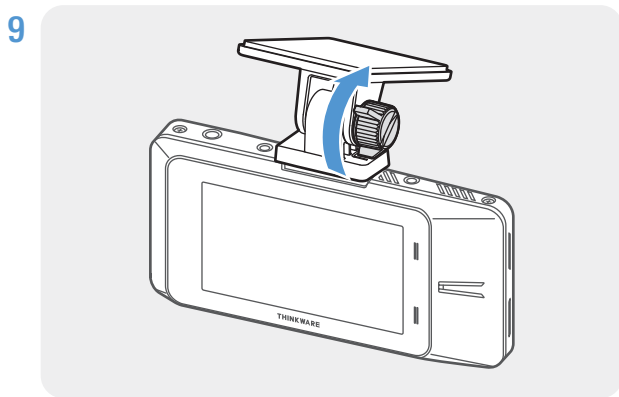


Connect the continuous power cable to the product's DC-IN power connector and start the engine to make sure the product operates normally.

Once the product is powered on, the status LED and the voice guidance will turn on.

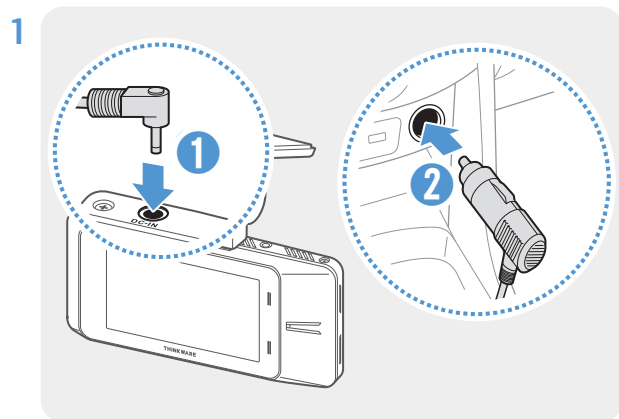


Adjust the camera angle so that the hood of the vehicle covers 1/4 - 1/8 of the screen while viewing the Live view on the LCD screen, as shown in the image to the left.



Tighten the screw of the mount firmly.

### Connecting the car charger



Connect the car charger to the product's DC-IN power port and insert the cigar jack into the vehicle's power socket.

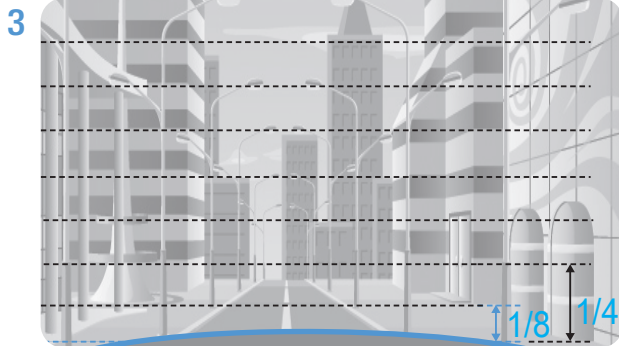


The location and specifications of the power socket may differ by vehicle make and model.

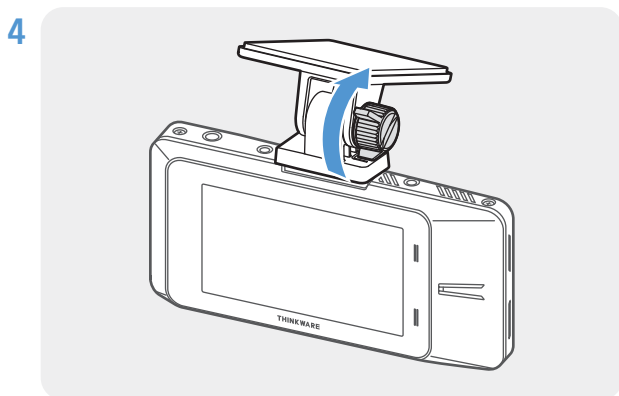


- Use the authentic THINKWARE car charger. Use of third party power cables may damage the product and result in an electrical fire or electrocution due to the voltage difference.
- Do not cut or modify the power cable yourself. Doing so may damage the product or the vehicle.
- For safe driving, arrange the cables to prevent the driver's vision from being obstructed or interfering with driving. For more information about arranging cables, visit [www.thinkware.com](http://www.thinkware.com).

2 Turn on the ACC or start the engine to check if the product is powered on. After the product is powered on, the status LED and the voice guidance will turn on.



Adjust the camera angle so that the hood of the vehicle covers  $1/4 - 1/8$  of the screen while viewing the Live view on the LCD screen, as shown in the image to the left.

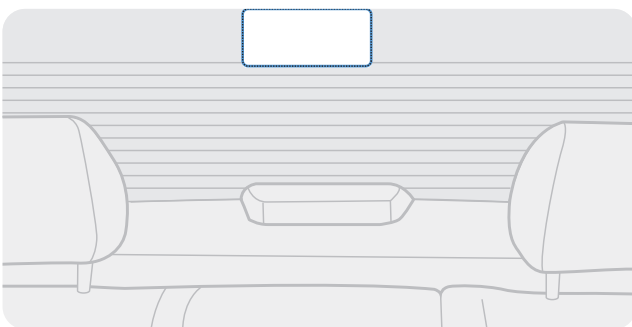


Tighten the screw of the mount firmly.

## 2.2 Installing the rear camera

Refer to the following instructions to properly install the rear camera.

### 2.2.1 Selecting an installation location



Select a location on the rear windshield where there is no defrost grid wire and the camera can record the entire rear view.



- For vehicles with a sunshade attached to the rear windshield, you must select a location where using the sunshade will not interfere with camera operation.
- The adhesive part of the rear camera should not touch the defrost grid.

## 2.2.2 Securing the rear camera

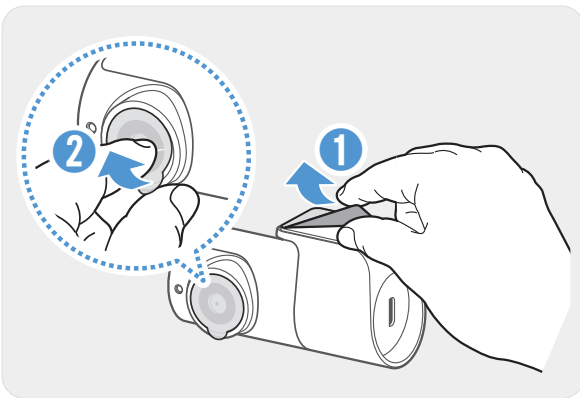
Refer to the following instructions to secure the product to the installation location.

- 1 After determining the installation location, wipe the installation surface of the windshield with a dry cloth.



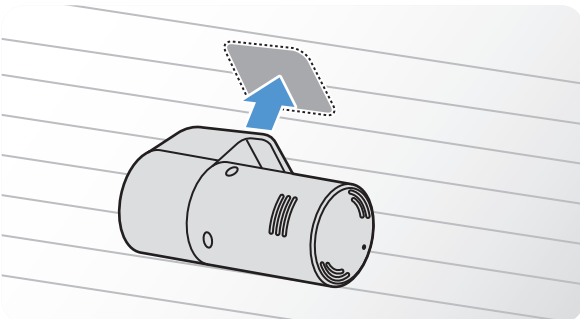
Check the installation location before you secure the rear camera to the rear windshield. After securing the rear camera to the windshield, it is hard to remove the camera or change the installation location due to the strong adhesive.

2



Remove the protective film from the adhesive mount and camera lens.

3

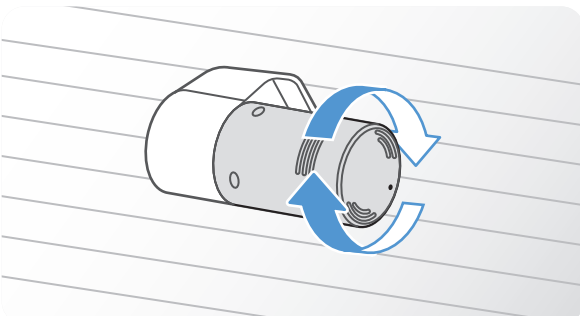


Attach the product with the THINKWARE logo facing outdoors and press the adhesive tape firmly to secure the camera.



If the product is fixed in reverse, the rear view will be recorded upside down.

4



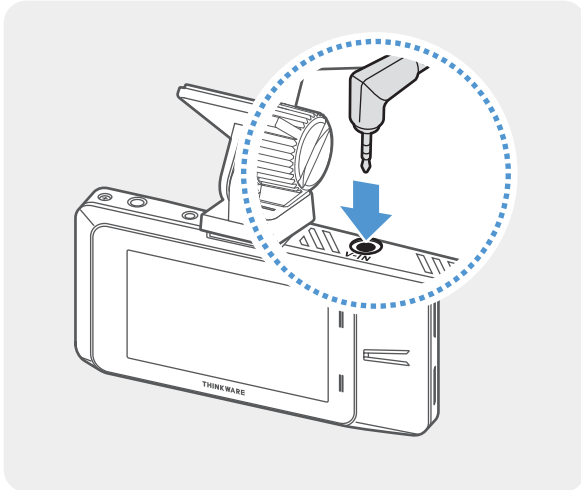
Adjust the camera's vertical angle.



## 2.2.3 Connecting the rear camera cable

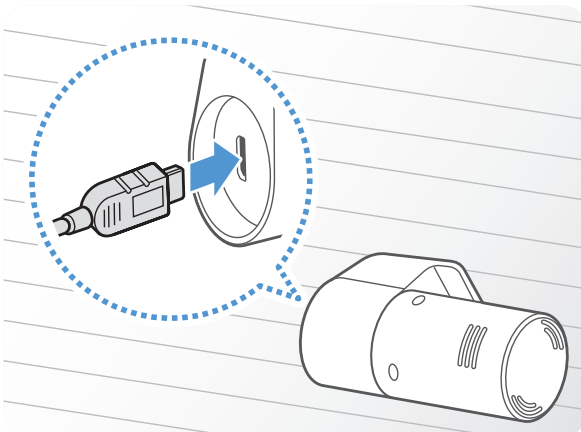
Power off the product and connect the rear camera cable to the front camera (main unit).

1



Connect one end of the rear camera cable to the front camera's V-IN port.

2



Connect the other end of the rear camera cable to the rear camera's connection port.



For safe driving, arrange the cables to prevent the driver's vision from being obstructed or interfering with driving.

3 Turn on the ACC or start the engine to check if the product is powered on. After the product is powered on, the status LED and the voice guidance will turn on.



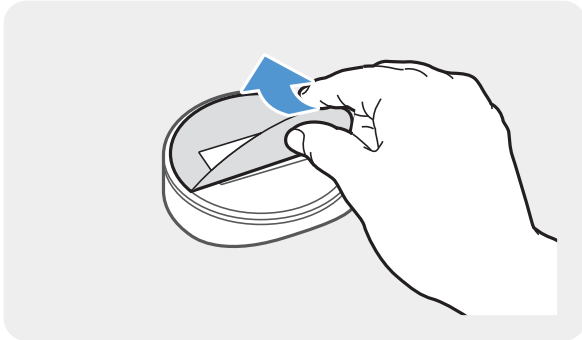
The product is powered on when the ACC mode is turned on or when the engine starts.

4 Check the Live view screen on the LCD display and adjust the camera angle as necessary.

## 2.3 Installing the external GPS module

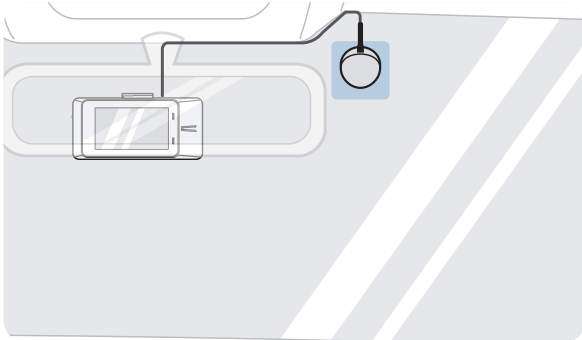
To activate the ADAS feature or record driving information (the speed and location), follow the instructions and install the external GPS module on the upper part of the front windshield. Install the external GPS module near the product, taking the module's cable length into account.

1



Remove the film from the back of the external GPS module.

2

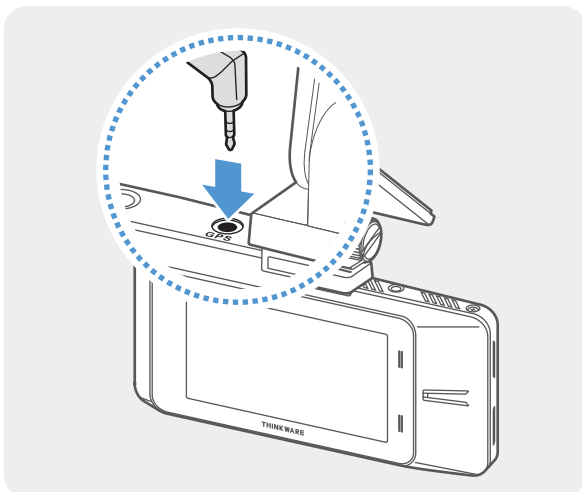


Attach the external GPS module's adhesive surface to the upper part of the front windshield and press the adhesive part firmly to secure it.



Before installation, make sure the external GPS module's cable length is sufficient and check the cable routing path.

3



Connect the external GPS module to the product's GPS connector.



Check the GPS connector location again before connecting the module. If you connect the external GPS module to the DC-IN power connector, the pins inside the port may be damaged.

4 Turn on the ACC or starts the engine to check that the product is powered on. After the product is powered on, the status LED and the voice guidance will turn on.

---

## 3. Using recording features

### 3.1 Turning the product on or off

The product is turned on automatically and continuous recording starts when you turn on the ACC or start the engine.




- Use the power switch on the side of the product to force the product to power on or off.
- Wait until the product is completely booted up after turning it on, and then begin operating the vehicle. The video recording does not begin until the product is completely turned on (booted up).


### 3.2 Using the LCD display

This product allows you to check recorded videos in real time on the LCD display by providing the Live view feature.

#### LCD Auto-off

You can set the time that the LCD will turn off automatically. Tap the Home menu () button on the Live view screen > **Settings** > **System Settings** > **LCD Auto-off**, and select the desired screen off time from **30 sec./1 min./10 min./OFF**.

#### Secure Lock

You can set the secure lock feature. Tap the Home menu () button on the Live view screen > **Settings** > **System Settings** > **Secure Lock**, and select from **Enabled/Disabled**.

### 3.3 Learning about the LED indicator and file storage locations

#### LED indicator

You can check the operating status, even when the LCD is turned off, by checking the LED indicator on the rear of the product.

For more information about what the LED indicates in each recording mode, refer to the corresponding section of the recording mode (the continuous recording, the manual recording, and the parking mode recording).

## Video file storage location

Videos are stored in the following folders according to their recording mode. The folder names displayed on the screen and created in the memory card are as follows.

On the product screen	Continuous	Continuous Incident	Manual Recording	Motion Detection	Parking Incident
In the memory card	cont_rec	evt_rec	manual_rec	motion_ timelapse_rec	parking_rec





Play videos on the product or a computer only. If you play videos by inserting the memory card in devices such as a smartphone or a tablet PC, the video files may be lost.

## 3.4 Using the continuous recording feature

Connect the power cable to the product's DC-IN power port and then turn on the vehicle's electrical accessories or start the engine. The status LED and the voice guidance will turn on, and the continuous recording starts.

When the Live view screen is displayed, the continuous recording will start automatically.

Mode	Operation description	Status LED
Continuous recording	During driving, videos are recorded in 1 minute segments and stored in the " <b>cont_rec</b> " folder.	 (light on)
Incident continuous recording*	When an impact to the vehicle is detected, a video is recorded for 20 seconds, from 10 seconds before the detection to 10 seconds after the detection, and stored in the " <b>evt_rec</b> " folder.	 (flickers)

\* When an impact to the vehicle is detected during continuous recording, incident continuous recording starts with a buzzer sound.






- Wait until the product is completely booted up after turning it on, and then begin operating the vehicle. The video recording does not begin until the product is completely turned on (booted up).
- When incident continuous recording starts, the buzzer sounds as a notification.
- To use all recording modes, insert a memory card into the product.

### 3.5 Recording manually

You can record a scene you want to capture while driving and store it as a separate file. Manually recorded videos are stored in the **"manual\_rec"** folder to prevent important data loss due to insufficient storage.

To start manual recording, tap the Manual recording () button on the Live view screen.

Mode	Operation description	Status LED
Manual recording	When you press the Manual recording (  ) button, a video will be recorded for 1 minute, from 10 seconds before to 50 seconds after pressing the button, and stored in the <b>"manual_rec"</b> folder.	 (flickers)


To watch a manually recorded video, tap the Home menu () button on the Live view screen > **File List** > **Manual recording**, and select a video to play.

### 3.6 Using parking mode




When the product is connected to the vehicle via the hardwiring cable, the operating mode is switched to parking mode with the voice guide after the engine or electrical accessories are turned off.






- Parking mode operates only when the hardwiring cable is connected. The hardwiring cable must be professionally installed to the vehicle by a trained mechanic.
- To use all recording modes, insert a memory card into the product.
- Depending on the battery charging status of the vehicle, the duration of parking mode may differ. If you want to use parking mode for an extended period, check the battery level to prevent battery depletion.

If you do not want to use parking mode or you want to change the mode settings, on the Live view screen, tap the Home menu () button > **Settings** > **Rec. Settings** > **Parking Mode**.

Refer to the following table to set the **Parking Mode** options.

Option		Operation description	Status LED
Motion Detection	No motion or impact detected	Monitors movement in the area or impacts to the vehicle. Video will be recorded only when motion or an impact is detected.	 (flickers slowly)
	Motion detected	When a moving objects is detected while parking, a video is recorded for 20 seconds, from 10 seconds before detection to 10 seconds after detection, and stored in the <b>"motion_timelapse_rec"</b> folder.	 (flickers quickly)
	Impact detected	When an impact is detected while parking, a video is recorded for 20 seconds, from the moment 10 seconds before detection to 10 seconds after detection, and stored in the <b>"parking_rec"</b> folder.	 (flickers quickly)

Option		Operation description	Status LED
Time Lapse	No impact detected	A videos is recorded at a rate of 2 fps for 10 minutes, compressed into a 2-minute long file, and stored in the "motion_timelapse_rec" folder. Since the video file recorded with this option is small, you can record a long video.	 (flickers slowly)
	Impact detected	When an impact is detected while parking, a video is recorded for 100 seconds at a rate of 2 fps (from the moment 50 seconds before detection to 50 seconds after detection) and stored in the "parking_rec" folder after being compressed into a 20-second long file. (The buzzer will sound.)	 (flickers quickly)
Energy Saving	No impact detected	Monitors impacts to the vehicle. Video will be recorded only when an impact is detected.	Off
	Impact detected	When an impact is detected while parking, a video is recorded for 20 seconds from within 1 second after detection and stored in the "parking_rec" folder.	 (flickers quickly)
Disabled		The product is powered off when electric accessories and the engine are turned off.	Off




If parking mode settings are changed, the videos recorded with the previous settings will be deleted. To prevent data loss, back up all parking mode videos before changing parking mode settings.



- You cannot use Motion Detection, Time Lapse, or Energy Saving at the same time.
- You can record bright, clear videos when parking at night with the Night Vision feature enabled.

### 3.7 Using the Night vision feature (main unit)

With the Night vision feature, you can record videos that are much brighter than videos recorded without this feature. This feature is enabled by real-time image signal processing (ISP) to improve the brightness of videos recorded.

- 1 On the Live view screen, tap the Home menu () button > **Settings** > **Rec. Settings**.
- 2 From **Night Vision**, select the desired recording mode from **Continuous Mode/Parking Mode/Continuous + Parking**.



- If both **Continuous Mode** and **Parking Mode** are selected, the Night vision feature will be available in both modes.
- If none are selected, the Night vision feature will be disabled.

## 3.8 About the screen layout

The followings are layout descriptions of the Live view and Home screens.

### 3.8.1 Live view screen

On the Live view screen, you can view the currently recorded video and operate the product by tapping on the LCD display. When you turn on electrical accessories and start the engine, the Live view screen will be displayed.



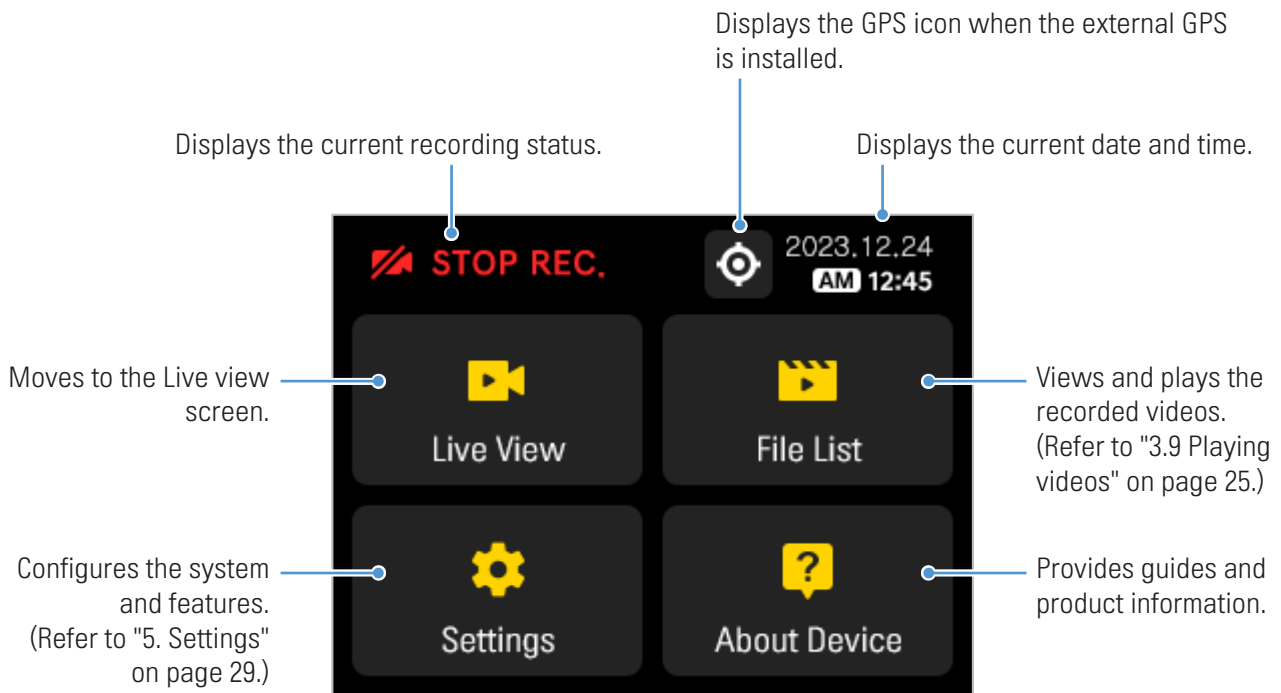
Wait until the product is completely booted up after turning it on, and then begin operating the vehicle. The video recording does not begin until the product is completely turned on (booted up).



If you set the **LCD Auto-off** setting to **OFF**, the display will be turned on all the time, increasing the power consumption of the product.

### 3.8.2 Home screen

You can move to the Home screen by tapping the Home menu (📺) button on the Live view screen.



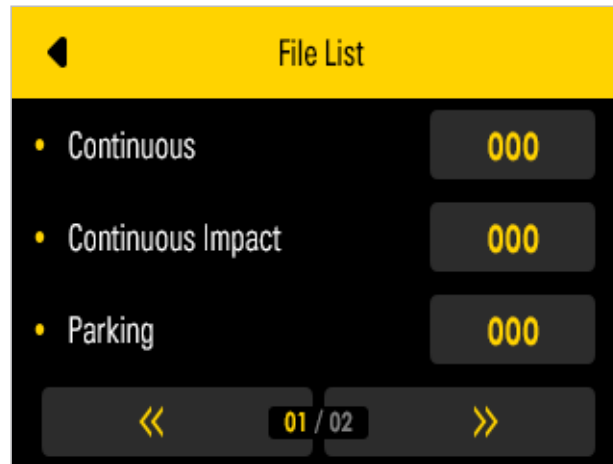
- Stop your vehicle in a safe location before operating the product.
- The product will stop recording while the Home screen is being operated.
- Play videos only on the product or a computer. If you play videos by inserting the memory card in a device, such as a smartphone or a tablet PC, video files may be lost.



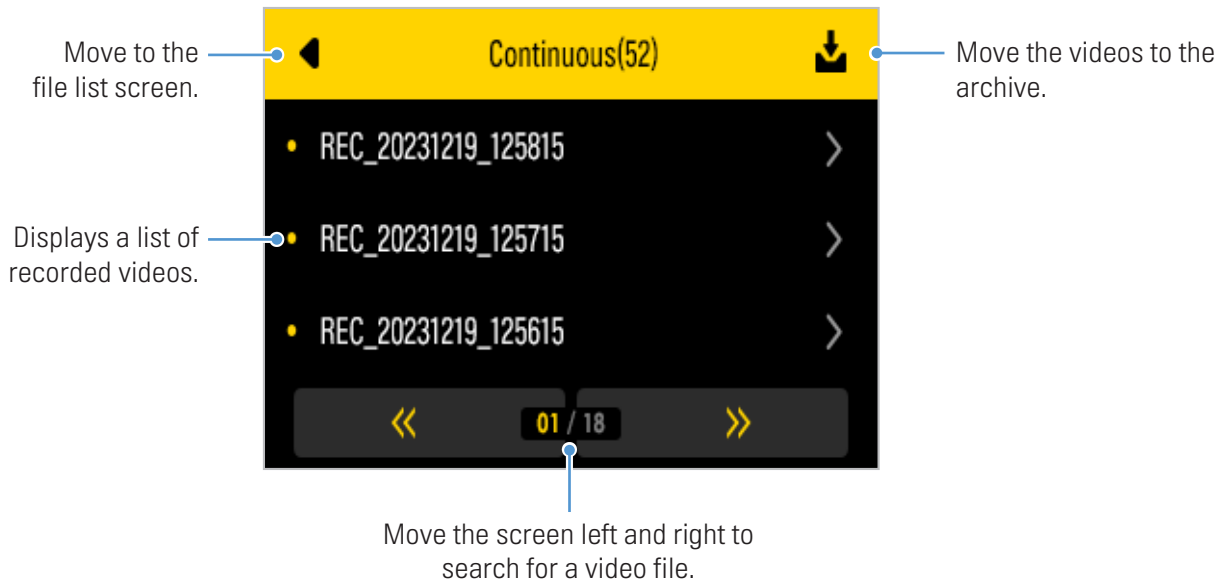
## 3.9 Playing videos

You can play recorded videos on the product or PC viewer. Refer to "7. Using the PC viewer" to learn how to play videos on the PC viewer. Follow the instructions to play the videos.


- 1 On the Live view screen, tap the Home menu (🏠) button > **File List**. The number of videos in each recording mode category will be displayed.

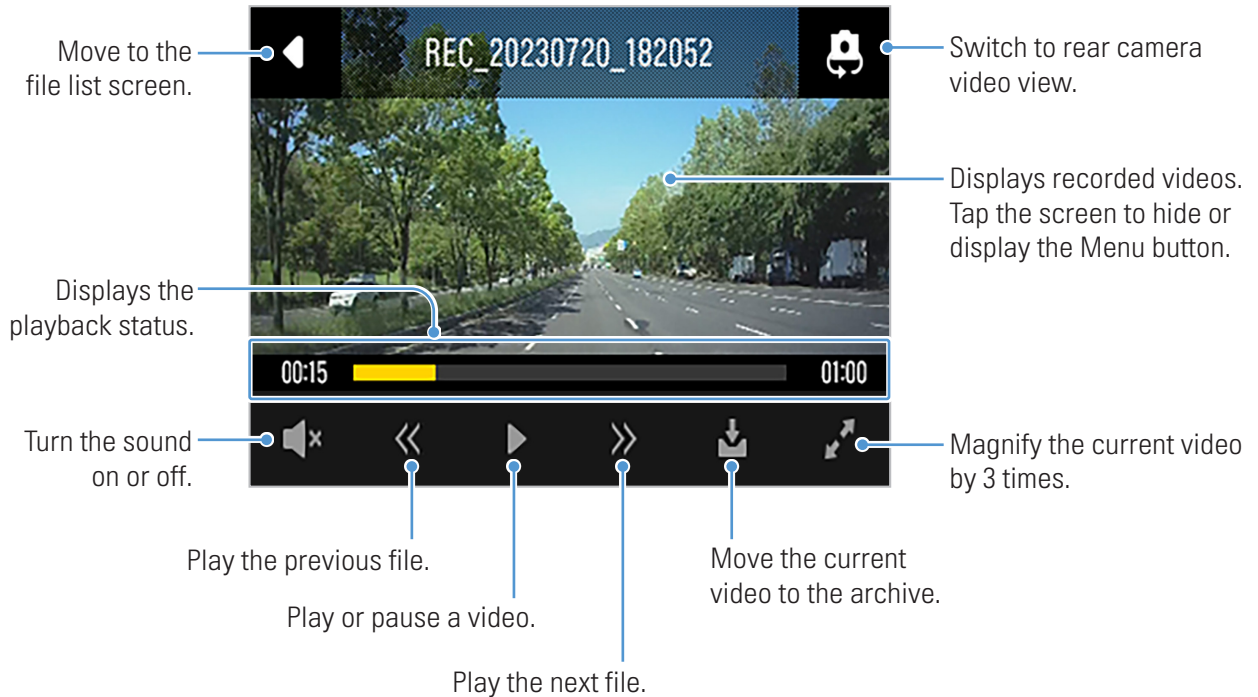



- 2 When you select a category, the video file list will appear. Select the video you want to play.




3 Tap a button on the playback screen to control the video player or other functions.

 If you touch the LCD display's playback area, the screen will switch to full screen mode. To exit full screen mode, touch the screen again.



-  While you are checking the video file list or playing a video, the product will stop recording.
- Play videos only on the product or a computer. If you play videos by inserting the memory card in a device, such as a smartphone or a tablet PC, video files may be lost.
- During playback, vehicle license numbers may not be identifiable due to the relative vehicle speed or lighting conditions.

 A file name is composed of the recording start date and time, and the recording option.

YYYYMMDD	HHMMSS	Recording conditions
REC_20231219_125815	F	• F: Front camera
REC_20231219_125815	R	• R: Rear camera

- If the memory card runs out of space while recording, previously recorded videos will be deleted to create sufficient storage. To prevent data loss, back up important videos on additional storage devices.
  - When the **continuous recording storage is insufficient**: The oldest continuous recording file will be deleted and replaced with the new video file. Event video files (incident recording and manual recording files) will not be deleted.
  - **When the storage is insufficient (for event video files only)**: Event video files will be deleted chronologically from the oldest to the most recent.

## 4. Using the road safety and ADAS features

To use the ADAS features in addition to the road safety features, you must install an external GPS module (which provides the vehicle location and speed information). For more information, refer to "2.3 Installing the external GPS module" on page 18.




- Use the authentic THINKWARE external GPS module. Use of third party GPS modules may damage the product and result in an electrical fire or electrocution due to the voltage difference.
- The surrounding environment, such as the road and weather conditions, can affect the system's recognition and performance.
- Any situation that covers part or all of the camera lens may result in reduced system functionality.

### 4.1 Road safety features

The road safety features include the Safety Cameras and the Mobile Zone Alert.

To deactivate the road safety features, tap the Home menu () button on the Live view screen > **Dash Cam Settings > Road Safety Settings**, and then set the **Safety Cameras** or **Mobile Zone Alert** to **Disabled**.

Features	Description	Notification icons
Safety Cameras	When the vehicle approaches the speed limit zone, the speed limit will be displayed on the screen. It also provides road information in real time to assist you while driving.	
Mobile Zone Alert	Provides a guide to speed zones in each country.	



- To use Safety Cameras, you must install an external GPS module (which provides the vehicle location and speed information).
- The Mobile Zone Alert can be set only when the **Safety Cameras** setting is set to **Enabled**.


### 4.2 ADAS features

ADAS features include the ADAS settings and the ADAS safety features.

#### 4.2.1 ADAS settings

To use all of the ADAS features, ensure that an external GPS module (which provides the vehicle location and speed information) is used.

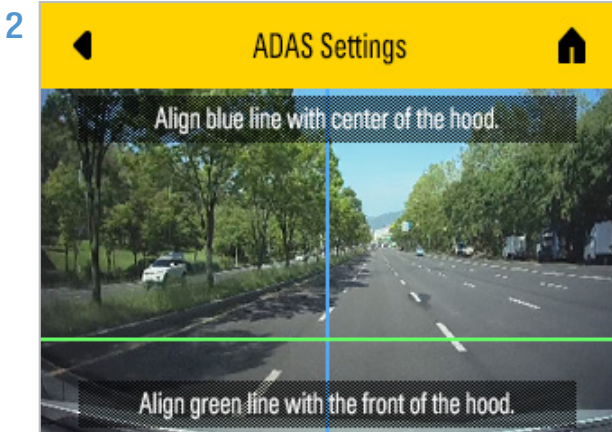
##### Identifying the vehicle type

On the Live view screen, tap the Home menu () button > **Dash Cam Settings > Road Safety Settings**, and then select a **Vehicle Type** from **Sedan / SUV / Truck (Bus)** under **ADAS Features**.

## Setting the ADAS settings (auto calibration)

To enhance the ADAS feature's accuracy, follow the instructions on the ADAS settings screen to set the alignment.

- 1 On the Live view screen, tap the Home menu (🏠) button > **Dash Cam Settings > Road Safety Settings**, and then tap **View** next to **ADAS Settings** under **ADAS Features**.



Follow the instructions on the ADAS settings screen to adjust the front camera's angle.

After positioning the camera, drive for at least one minute to finish the alignment.





When you align the ADAS settings screen, adjust the product's position to be within 7 cm of the default installation location (where the camera lens is located at the center of the front windshield).

You can use ADAS features after the initial setup.

### 4.2.2 ADAS safety features

The ADAS safety features include a front vehicle departure warning (FVDW) and a traffic light change alarm (TLCA).


To deactivate the ADAS safety features, tap the Home menu (🏠) button on the Live view screen > **Dash Cam Settings > Road Safety Settings**, and then set the features you want to deactivate to **Disabled** under **ADAS Features**.

Features	Description	Notification icons
FVDW (Front Vehicle Departure Warning)	Detects the departure of another vehicle that was previously stationary in front of the vehicle and notifies the driver after four seconds.	
TLCA	Notifies the driver of a traffic signal change via the real-time video when the vehicle remains in a signal waiting state (0 km/h) for 4 seconds while driving.	

## 5. Settings

You can set the product features according to your needs and preferences using the settings menu.

### 5.1 Setting the Camera

On the Live view screen, tap the Home menu () button > **Dash Cam Settings** > **Camera settings** to adjust the camera settings.

Options	Description
<b>Brightness-front</b>	Select from <b>Dark/Mid/Bright</b> for the brightness of the front camera.
<b>Reverse the rear view cam</b>	Select from <b>Enabled/Disabled</b> .

### 5.2 Setting recording features

On the Live view screen, tap the Home menu () button > **Dash Cam Settings** > **Rec. Settings** to change the recording settings.

Options	Description
<b>Continuous Sensitivity</b>	Select one of the five motion detection sensitivity levels.
<b>Night Vision</b>	Select from <b>Continuous Mode/Parking Mode/Continuous + Parking</b> for the Night Vision feature.
<b>Parking Mode</b>	Select from <b>Motion Detection/Time Lapse/Energy Saving/Disabled</b> for the parking mode.
<b>Parking Mode Waiting Time</b>	Select from <b>30 sec./1 min./2 min./3 min./4 min./5 min.</b> for the parking mode waiting time (time to switch to parking mode).
<b>Smart Parking Recording</b>	Select from <b>Thermal protection/Long-time Recording</b> .
<b>Parking Sensitivity</b>	Select one of the five motion detection sensitivity levels.
<b>Motion Sensitivity</b>	Select from <b>Disabled//Low/Mid/High</b> for the sensitivity.
<b>Off Timer</b>	Select the desired off time. To turn off the off timer, select <b>Disabled</b> .
<b>Battery Protection</b>	Select from <b>Enabled/Disabled</b> for the battery protection.
<b>Off Voltage</b>	Set the off voltage according to the vehicle type.
<b>Wintertime Battery Protection</b>	Select the month(s) to apply the battery protection feature.



- If the continuous impact detection sensitivity is too high, the product will record a video even when a minor impact caused by the road condition and your driving is detected. This may shorten the memory card's life.
- If the continuous impact detection sensitivity is too low, the product may not record a video when a minor accident occurs.



- If you record in parking mode for an extended period, the vehicle's battery may be depleted and you may not be able to start the vehicle.
- The **Off Voltage** can be set only when the **Battery Protection** setting is set to **Enabled**.
- If the off voltage value is too low, the product may consume the battery completely depending on the conditions like the vehicle type or temperature.
- For vehicles using a 12 V battery (most passenger vehicles), set the voltage to **12 V**. For vehicles using the 24 V battery (like most trucks and large vehicles), set the voltage to **24 V**.


## 5.3 Setting road safety features and ADAS features

### 5.3.1 Setting road safety features

On the Live view screen, tap the Home menu () button > **Dash Cam Settings** > **Road Safety Settings** to change the safety cameras settings.


Options	Description
<b>Safety Cameras</b>	Select from <b>Enabled/Disabled</b> for the safety cameras.
<b>Mobile Zone Alert</b>	Select from <b>Enabled/Disabled</b> for the mobile zone alert.

### 5.3.2 Setting Advanced Driver Assistance Systems (ADAS)

On the Live view screen, tap the Home menu () button > **Dash Cam Settings** > **Road Safety Settings** to change the ADAS features.


Options	Description
<b>Vehicle Type</b>	Select the vehicle type from <b>Sedan/SUV/Truck (Bus)</b> .
<b>ADAS Settings</b>	Adjust the location of the product according to the guidance on the display.
<b>Initialize ADAS</b>	In <b>Initialize ADAS</b> , tap <b>Initialize</b> > <b>OK</b> to proceed with initializing.
<b>FVDW (Front Vehicle Departure Warning)</b>	Select from <b>Disabled/Low/Mid/High</b> for the FVDW feature.
<b>Traffic Signal Alert</b>	Select from <b>Enabled/Disabled</b> for the traffic signal alert.

## 5.4 Configuring the system settings

On the Live view screen, tap the Home menu () button > **Dash Cam Settings** > **System settings** to configure the hardware system settings.

Options	Description
<b>Secure Lock</b>	Select from <b>Enabled/Disabled</b> for the secure lock.
<b>Language</b>	Select the desired language.
<b>Volume</b>	Select the desired volume level for each feature ( <b>Safety Cameras/ADAS/System</b> ).
<b>Calibrate Touchscreen</b>	Select the item and calibrate the touchscreen according to the guidance on the display.
<b>LCD Brightness</b>	Select a brightness level.
<b>LCD Auto-off</b>	Select from <b>30 sec./10 min./Clock/OFF</b> .
<b>Clock</b>	Select from <b>Enabled/Disabled</b> for the clock.
<b>Security LED</b>	Select from <b>Enabled/Disabled</b> for the security LED.
<b>Time Zone</b>	Select the date and time.
<b>Daylight Saving</b>	Select from <b>Enabled/Disabled</b> for the daylight saving.
<b>Speed Unit</b>	Select from <b>km/h/mph</b> for the speed unit.
<b>Speed Stamp</b>	Select from <b>Enabled/Disabled</b> for the speed stamp.
<b>Memory Partition</b>	Select from <b>Continuous Priority/Incident Priority/Parking Priority/Manual Priority/Driving Recording Only</b> for the memory partition type.
<b>Memory Saving</b>	Select from <b>Enabled/Disabled</b> for the memory saving.
<b>Formatting Memory Card</b>	From the <b>Formatting Memory Card</b> , tap <b>Format</b> > <b>Confirm</b> .



- If you set the **LCD Auto-off** setting to **OFF**, the screen will be kept on, and the power consumption will increase.
- This product features Format Free 2.0, allowing you to store video for extended periods of time without frequent memory formatting.
- Once the formatting is performed, all data stored on the memory card will be deleted. To cancel the format, tap the cancel () button.

## 6. Using the mobile viewer

You can view and manage recorded videos and configure various product features on your smartphone.



One of the following environments is required to use the **THINKWARE DASH CAM LINK** application:

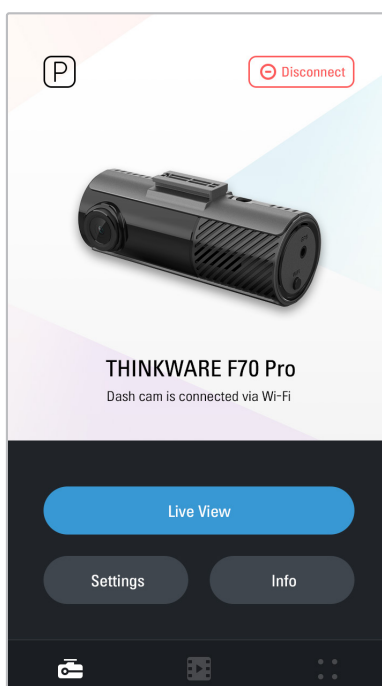
- Android 7.0 (Nougat) or higher
- iOS 13 or higher

### 6.1 Connect the product to a smartphone

- 1 On your smartphone, open the Google Play Store or Apple App Store and download and install **THINKWARE DASH CAM LINK**.
- 2 Run **THINKWARE DASH CAM LINK**.
- 3 Tap **Dash cam connection is required.** at the bottom of the screen and follow the on-screen instructions to connect the product to a smartphone.

### 6.2 Viewing the mobile viewer screen layout

The following is the screen layout for the mobile viewer.





---

## 7. Using the PC viewer

You can view and manage the recorded videos and configure various product features on your PC.

### 7.1 System requirements

The following are the system requirements for running the PC viewer.

- Processor: Intel Core i5, or higher
- Memory: 4 GB or more
- Operating system: Windows 7 or later (64-bit is recommended), Mac OS X 10.10 or later
- Other: DirectX 9.0 or higher / Microsoft Explorer version 7.0 or higher



The PC viewer will not operate properly on PC systems running an operating system other than those listed in the system requirements.

### 7.2 Learning about the PC viewer

#### 7.2.1 Downloading the PC viewer

You can download the latest PC viewer software from the THINKWARE website.

- 1 On your PC, open a web browser and go to <https://www.thinkware.com/Support/Download>.
- 2 Select a model name.
- 3 Click **Select OS** to select your OS, then click **DOWNLOAD**.



- The new PC viewer for Mac can be downloaded from the Apple App Store without visiting the THINKWARE website. Search for "Thinkware Dashcam Viewer" in the Apple App Store.
- If you are using Mac OS X 10.13 or earlier, you can only download the PC viewer from the website.

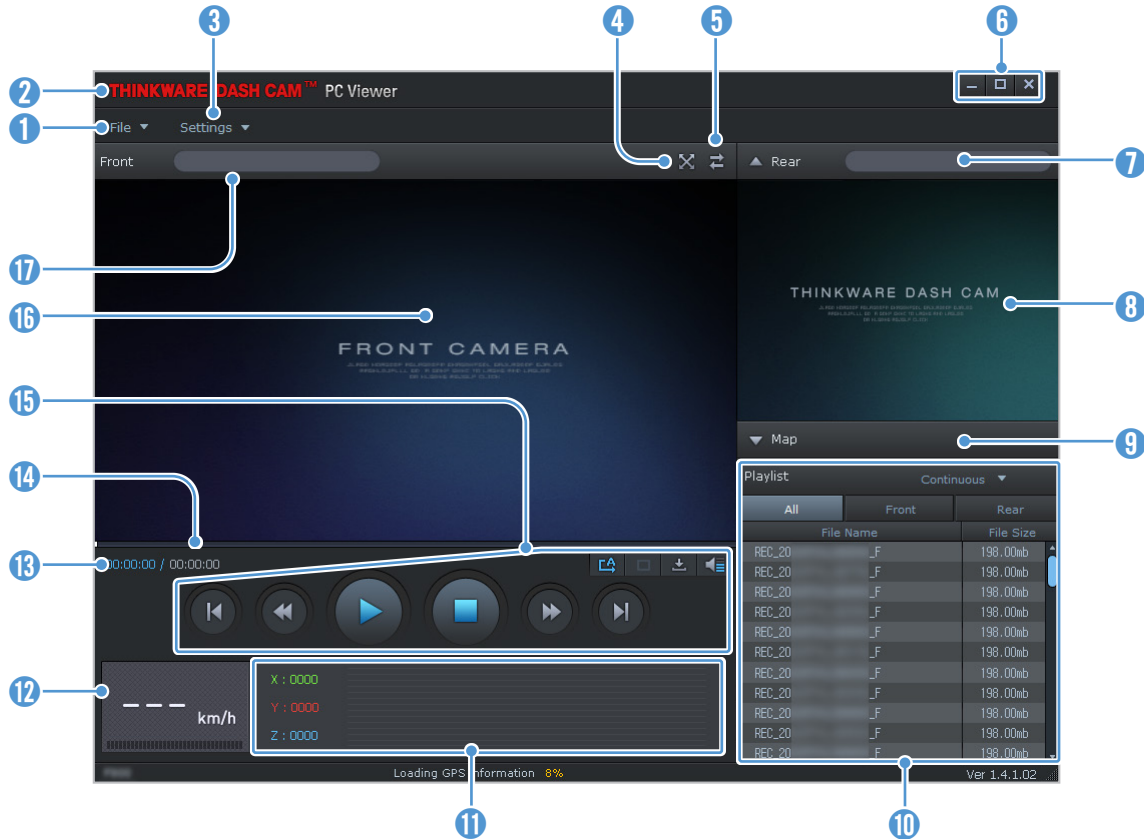
#### 7.2.2 Installing the PC viewer


The PC viewer installation file (setup.exe) is stored in the root folder of the memory card that is provided with the product. Follow the instructions to install the PC viewer on your PC.

- 1 Insert the memory card into a memory card reader connected to your PC.
- 2 Move the installation file to the desktop, run it, and complete the installation according to the instructions given in the installation wizard.  
After the installation is complete, there will be a shortcut icon to Thinkware Dashcam Viewer.

### 7.2.3 PC viewer screen layout


The following provides brief information about the PC viewer's screen layout.

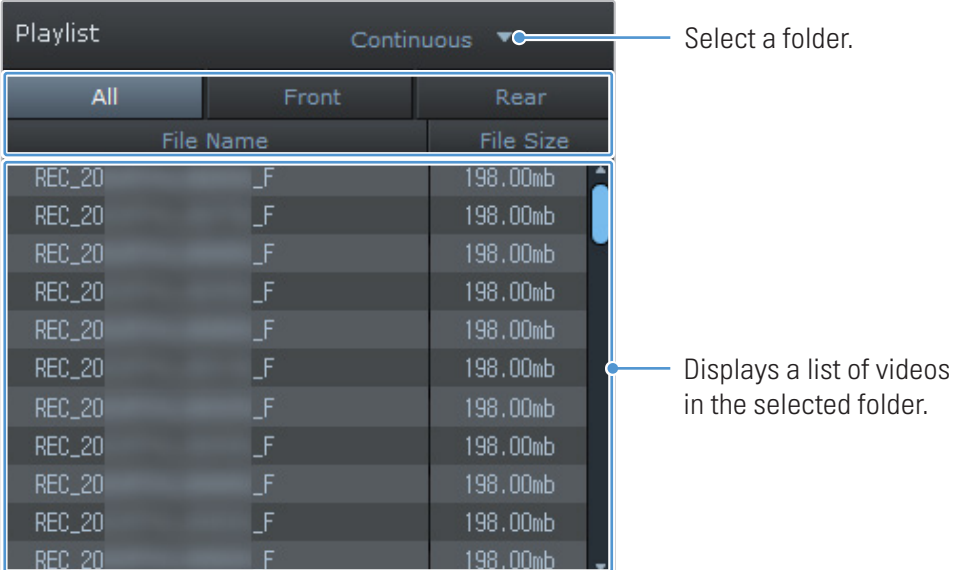


Number	Description
1	Open a file, or save a video with a different name.
2	Visit the THINKWARE website.
3	View or configure the dashcam settings, and set the language for the PC viewer.
4	Display the current video in full screen. Tap the Back (  ) button to return to the previous screen.
5	Switch between the front and rear videos.
6	Minimize, expand, or close the software.
7	Displays the rear camera video file name.
8	Displays the recorded rear camera video.
9	Display the map screen.
10	Displays the playlist.
11	Indicates the G sensor value at the time of recording.
12	Indicates the vehicle's driving speed at the time of recording.
13	Displays the current and total running time of the current video.
14	Displays the progress of video playback.
15	Play or control a video.
16	Displays the recorded front camera video.
17	Displays the front camera video file name.

## 7.2.4 Playing recorded videos on the PC viewer


Follow the instructions to play recorded videos.

- 1 Turn off the product and remove the memory card.
- 2 Insert the memory card into a memory card reader connected to your PC.
- 3 Double-click the shortcut to the PC viewer (  ) to open the program. The video files in the memory card will be automatically added to the playlist in the bottom-right corner of the PC viewer screen. The playlist section layout is as follows.



File Name		File Size
REC_20	_F	198.00mb
REC_20	_F	198.00mb
REC_20	_F	198.00mb
REC_20	_F	198.00mb
REC_20	_F	198.00mb
REC_20	_F	198.00mb
REC_20	_F	198.00mb
REC_20	_F	198.00mb
REC_20	_F	198.00mb
REC_20	_F	198.00mb
REC_20	F	198.00mb

- 4 Double-click a video file after selecting a video folder, or click the Play (▶) button after selecting a video file. The selected video file will be played.

 If the video files on the memory card are not automatically added to the playlist when you run the PC viewer, click **File ▼ > Open**, select the removable storage device for the memory card, and click **Confirm**.

---

## 8. Upgrading the firmware

A firmware upgrade is provided to enhance the product's features, operation or to increase stability. For optimal operation of the product, ensure that you keep the firmware up to date.

Follow the instructions to upgrade the firmware.

- 1 On your PC, open a web browser and go to <https://www.thinkware.com/Support/Download>.
- 2 Select the product and download the latest firmware upgrade file.
- 3 Unzip the downloaded file.
- 4 Disconnect power to the product and remove the memory card.
- 5 Open the memory card on a PC and copy the firmware upgrade file to the root folder of the memory card.
- 6 While the power is disconnected from the product, insert the memory card into the memory card slot on the product.
- 7 Connect the power cable to the product, and then turn on the power (ACC ON) or start the engine to turn on the product. The firmware upgrade starts automatically, and the system will restart once the firmware update is completed.



Do not disconnect the power or remove the memory card from the product during the upgrade. Doing so may cause serious damage to the product, or to the data stored in the memory card.



You can also update the firmware from the mobile viewer and the PC viewer. A notification pop-up will be displayed on the PC Viewer screen when a new update file becomes available.

## 9. Troubleshooting

The following table lists the problems users may encounter while using the product and measures to resolve them. If the problem persists after taking the measures provided in the table, contact the customer service center.

Problems	Solution
Cannot power on the product	<ul style="list-style-type: none"><li>• Make sure the power cable (the hardwiring cable or the car charger) is connected to the vehicle and the product properly.</li><li>• Check the vehicle's battery level.</li></ul>
The voice guide and/or buzzer do not sound.	Check if the volume is set to the minimum.
The video is unclear or hardly visible.	<ul style="list-style-type: none"><li>• Ensure that the protective film on the camera lens has been removed. The video may look unclear if the protective film is still on the camera lens.</li><li>• Check the installation location of the front or rear camera, turn on the product, and then adjust the camera's viewing angle.</li></ul>
The memory card cannot be recognized.	<ul style="list-style-type: none"><li>• Ensure that the memory card has been inserted in the correct direction. Before inserting the memory card, ensure that the metal contacts on the memory card are facing toward the lens of the product.</li><li>• Turn off the power, remove the memory card, and then check to ensure that the contacts in the memory card slot are not damaged.</li><li>• Ensure that the memory card is an authentic product distributed by THINKWARE. THINKWARE does not guarantee compatibility and normal operation of third-party memory cards.</li></ul>
The recorded video cannot be played on a PC.	The recorded videos are stored as MP4 video files. Ensure that the video player installed on your PC supports the playback of MP4 video files.
GPS signal cannot be received.	The GPS signal may not be received in out-of-service areas, or if the product is located between tall buildings. Also, GPS signal reception may not be available during storms or heavy rain. Try again on a clear day at a location that is known to have a good GPS reception. It may take up to 5 minutes until GPS reception is established.

### Before contacting a service center

Please back up all important data stored in the memory card. The data in the memory card may be deleted during repair. Every product requested for repair is regarded as a device that has had its data backed up. The customer service center does not back up your data. THINKWARE is not responsible for any loss, such as data loss.

# 10. Specifications

To see the product specifications, refer to the following table.

Item	Specification	Remarks
<b>Model name</b>	ARC	Rear camera: BCQH-10U
<b>Dimension</b>	104.8 x 49.6 x 27.6 mm (Not including mount)	Rear camera: 61 x 27 x 25 mm
<b>Memory</b>	microSD memory card	32 GB, 64 GB, 128 GB, 256 GB
<b>Display panel</b>	2.7" IPS LCD (320 x 240)	
<b>Camera sensor</b>	4 Megapixel, 1/3" CMOS	Rear camera: 4 Megapixel, 1/3"
<b>Angle of view</b>	Front/rear camera: 130° (diagonally)	
<b>Video</b>	QHD (2560 x 1440 @30fps)	
<b>Recording mode</b>	Continuous Rec, Incident Rec, Manual Rec, Parking Rec (Motion/impact Detection, Time Lapse, Energy Saving)	
<b>Features</b>	Memory Saving, Night Vision (front only), Smart Parking Recording (Thermal Protection/Long-time Recording)	
<b>Acceleration sensor</b>	3-axis acceleration sensor (3D, ±3G)	
<b>GPS</b>	External GPS receiver	Supported ADAS features (FVDW, TLCA)
<b>Power input</b>	DC 12/24 V supported	Rear camera: DC 5 V
<b>LED indicators</b>	Security LED, Status LED	Rear camera: Security LED
<b>Power consumption</b>	4.16 W (Parking Rec: Motion Detection) 1.06 W (Parking Rec: Energy Saving)	Except for the fully charged supercapacitor / GPS Actual power consumption may vary depending on the usage conditions and environment.
<b>Auxiliary power unit</b>	Super Capacitor	
<b>Alarm</b>	Built-in speakers	Voice guide (buzzer sounds)
<b>Operating temperature</b>	14 – 140°F / -10 – 60°C	
<b>Storage temperature</b>	-4 – 158°F / -20 – 70°C	

# FCC Compliance Statement

This device complies with part 15 of the FCC Rules. Operation is subject to the following two conditions: (1) This device may not cause harmful interference, and (2) this device must accept any interference received, including interference that may cause undesired operation.

## FCC Statement

This equipment has been tested and found to comply with the limits for a Class A digital device, pursuant to part 15 of the FCC Rules. These limits are designed to provide reasonable protection against harmful interference when the equipment is operated in a commercial environment. This equipment generates, uses, and can radiate radio frequency energy and, if not installed and used in accordance with the instruction manual, may cause harmful interference to radio communications. Operation of this equipment in a residential area is likely to cause harmful interference in which case the user will be required to correct the interference at his own expense.

## FCC Caution

Any changes or modifications (including the antenna) made to this device that are not expressly approved by the manufacturer may void the user's authority to operate the equipment.

## Responsible Party – U.S. Contact Information

- Company Name : Thinkware Systems USA Inc.
- Company Address : 18021, Sky Park Circle, STE J2, Irvine, CA, 92614, USA
- E-mail : support@thinkware.com



## FCC Radiation Exposure Statement

This equipment complies with FCC radiation exposure limits set forth for an uncontrolled environment. This equipment should be installed and operated with minimum distance 20 cm between the radiator and your body. This transmitter must not be co-located or operating in conjunction with any other antenna or transmitter.

IEEE 802.11b or 802.11g operation of this product in the USA is firmware-limited to channels 1 through 11.

# Industry Canada Statement

This device complies with Industry Canada license-exempt RSS standard(s). Operation is subject to the following two conditions: (1) this device may not cause interference, and (2) this device must accept any interference, including interference that may cause undesired operation of the device.

"This Class (A) digital apparatus complies with Canadian ICES-003."

Le présent appareil est conforme aux CNR d'Industrie Canada applicables aux appareils radio exempts de licence. L'exploitation est autorisée aux deux conditions suivantes : (1) l'appareil ne doit pas produire de brouillage, et (2) l'utilisateur de l'appareil doit accepter tout brouillage radioélectrique subi, même si le brouillage est susceptible d'en compromettre le fonctionnement.

"Cet appareil numérique de la classe (A) est conforme à la norme NMB-003 du Canada."

## Canadian Representative

- Company Name: Mondo System Technology Canada Inc.
- Contact Name: Youngtae Song
- Company Address: 210-1580 BRIGANTINE DRIVE COQUITLAM BC, V3K7C1, CANADA
- ISED Company Number: 9737B
- Telephone: 604.544.2741
- Email: andy.song@mondosystem.com

## Industry Canada Radiation Exposure Statement

This equipment complies with IC radiation exposure limits set forth for an uncontrolled environment. This equipment should be installed and operated with minimum distance 20 cm between the radiator & your body.

### Déclaration d'exposition aux radiations

Cet équipement est conforme aux limites d'exposition aux rayonnements IC établies pour un environnement non contrôlé. Cet équipement doit être installé et utilisé avec un minimum de 20 cm de distance entre la source de rayonnement et votre corps.



<https://www.thinkware.com>