

English

1 Appearance

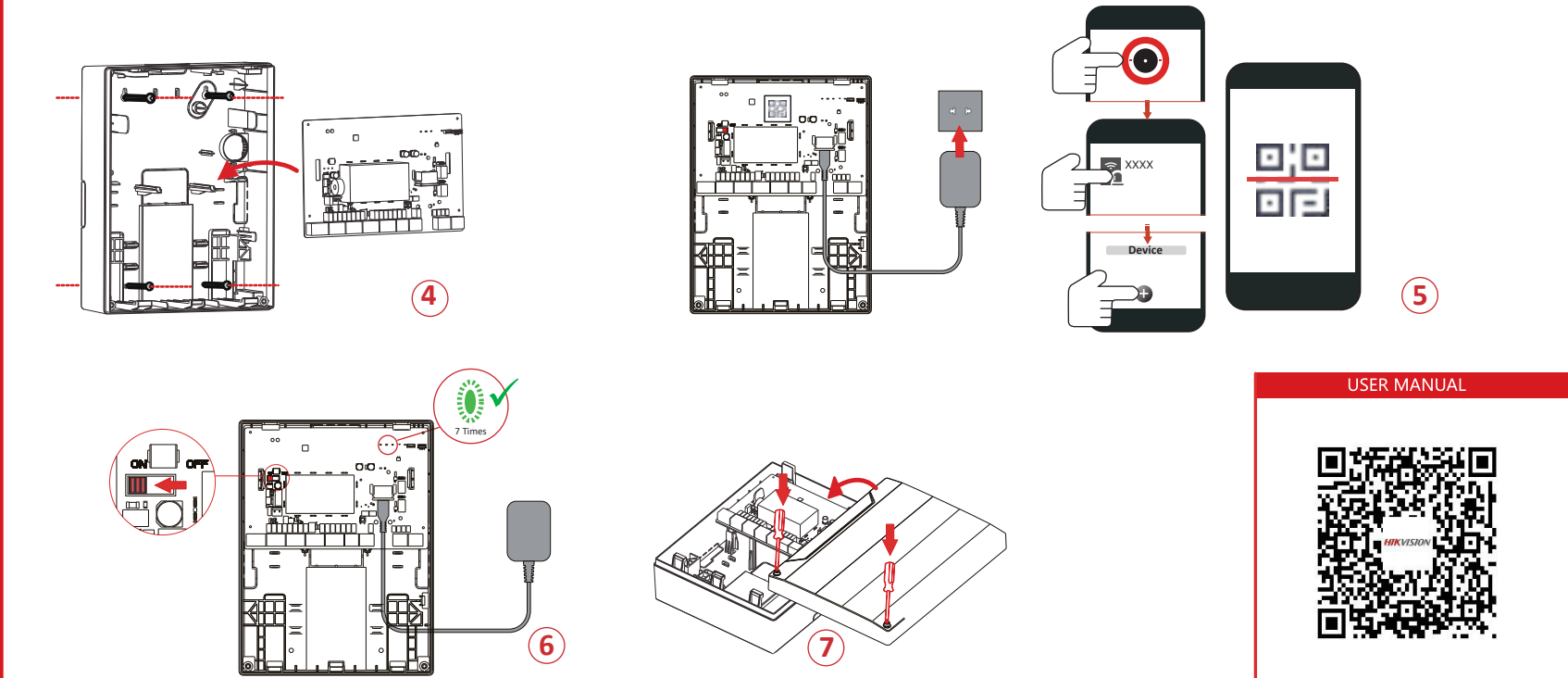
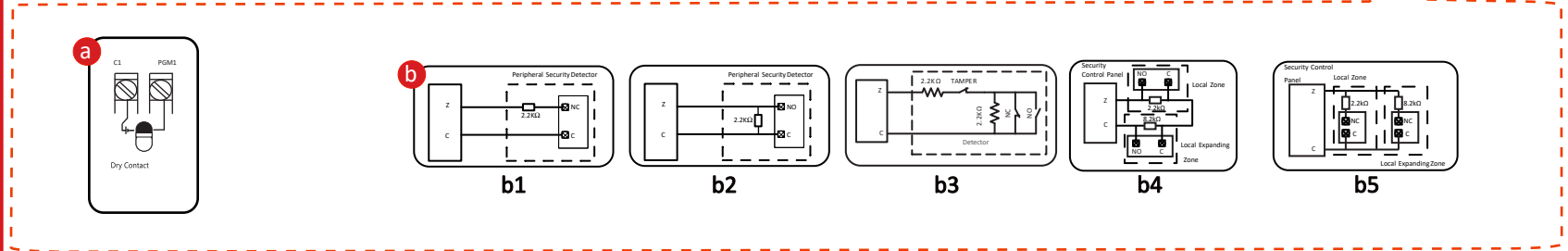
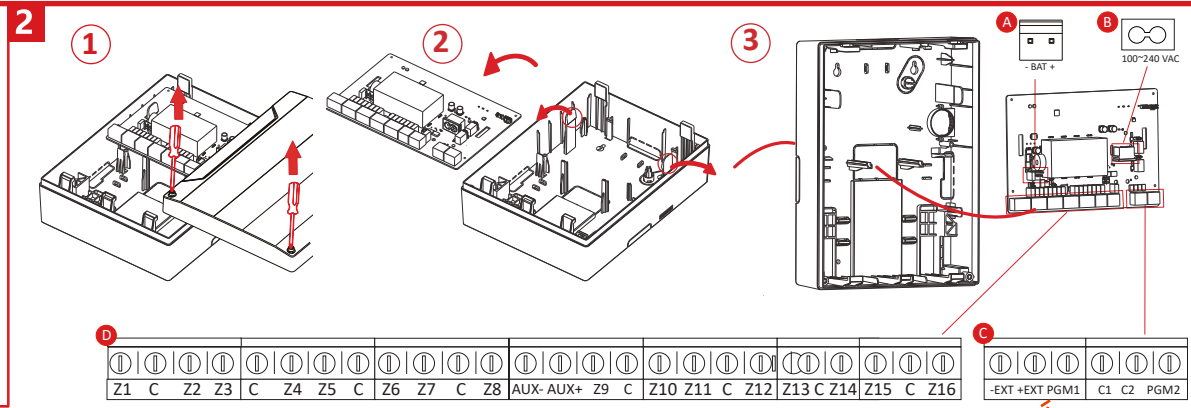
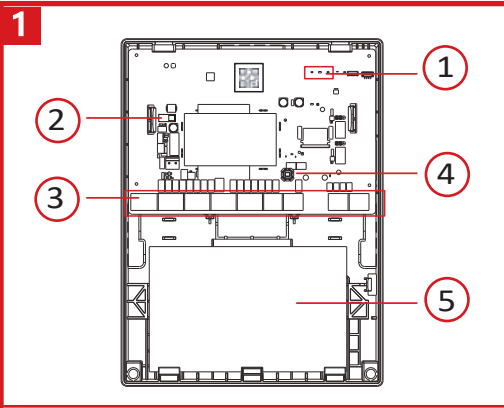
1. LED Indicator
  - Alarm Indicator Alarm: Solid red for 2s
  - Fault Indicator Fault alarm: Solid amber
  - Enrollment Indicator Enrollment completed: Flashing green for 7 times
2. Power Switch
3. Wiring Terminal
4. Tamper Switch
5. Battery Holder

2 Set up

1. 2. Open the shell.
3. Wiring
  - A. Battery Plug
  - B. Power Supply : 100 to 240 VAC
  - C. Power Supply:-EXT and +EXT; AUX- and AUX+
    - a. Alarm Output(NO1/NC1 and COM1):PGM1 and C1
    - b. Alarm Input(NO2/NC2 and COM2):PGM2 and C2
      - b1. NC Detector
      - b2. NO Detector
      - b3. Tamper-proof
      - b4. Dual-Zone Series Connection
      - b5. Dual-Zone Parallel Connection
  - D. Zone Input:Z1 to Z16 and C
4. Installation
5. Set up with App.
6. Power on the transmitter.
- Enrollment completed: Flashing green for 7 times.

Specification

RF Frequency	433 MHz
Modulation	2GFSK
Method	Two-way communication
RF Distance	800 m (open area)
Zone Input	16
EOL	1K, 2.2K, 4.7K, 8.2K
Tamper Switch	2 (Front and Rear)
Relay Output	2
12 V Input	1, Connects to the Battery
12 V Output	2-channel Total Consumption : 1 A
Power Switch	1
Series Port	1
LED Status	3: Alarm/Tamper (Red) , Fault (Amber) , Signal Strength (Green/Red)
Power Supply	100 to 240 VAC
Operation temperature	-10°C to 55°C
Operation humidity	10% to 90%
Dimension (W x H x D)	199 x 261 x 86.4mm
Weight	975 g (without battery) 3024g (with battery)



USER MANUAL

Español	
<b>1</b> <i><b>Apariencia</b></i>	
<div> <div><span>1.</span> Piloto led</div> <div> <div><span> </span><span> </span>Piloto de alarma</div> <div><span> </span><span> </span>Indicador de fallo</div> <div><span> </span><span> </span>Indicador de registro</div> </div> </div> <div> <div><span>2.</span> Interruptor de alimentación</div> <div><span>3.</span> Terminal de cableado</div> <div><span>4.</span> Interruptor antimanipulación</div> <div><span>5.</span> Compartimento de la pila</div> </div>	<div> <div><span>Alarma:</span> Rojo fijo durante 2 s</div> <div><span>Alarma de fallo:</span> Ámbar fijo</div> <div><span>Registro completado:</span> Parpadeo en verde 7 veces</div> </div> <div> <div><span>1.</span> Alarm: Tamnocrveni 2 sekunde</div> <div><span>Alarm za kvar:</span> Tamnožuti bez prekida</div> <div><span>Uvrštavanje izvršeno:</span> Zeleni LED indikator zatrepériće 7 puta</div> <div><span>3.</span> Terminal za instalacije</div> <div><span>5.</span> Odeljak za bateriju</div> </div>
<b>2</b> <i><b>Configuración</b></i>	
<div> <div><span>1.</span> 2. Abrir la carcasa.</div> <div><span>3.</span> Cableado</div> <div><span>A.</span> Conector de la batería</div> <div><span>B.</span> Alimentación eléctrica: 100 a 240 VCA</div> <div><span>C.</span> Fuente de alimentación: -EXT y +EXT. AUX- e AUX+</div> <div><span>a.</span> Salida de alarma (NO1/NC1 y COM1): PGM1 y C1</div> <div><span>b.</span> Entrada de alarma (NO2/NC2 y COM2): PGM2 y C2</div> <div><span>b1.</span> Detector NC</div> <div><span>b2.</span> Detector NO</div> <div><span>b3.</span> Antimanipulación</div> <div><span>b4.</span> Conexión en serie de dos zonas</div> <div><span>b5.</span> Conexión en paralelo de dos zonas</div> <div><span>D.</span> Entrada de zona: Z1 a Z16 y C</div> <div><span>4.</span> Instalación</div> <div><span>5.</span> Configurar mediante la aplicación</div> <div><span>6.</span> Encienda el transmisor.</div> <div><span>Registro completado:</span> Parpadeo en verde 7 veces.</div> </div>	

1. Alarm: Tamnocrveni 2 sekunde

Alarm za kvar: Tamnožuti bez prekida

Uvrštavanje izvršeno: Zeleni LED indikator zatrepériće 7 puta

3. Terminal za instalacije

5. Odeljak za bateriju

Especificaciones	
<div> <div><span>Frecuencia de RF</span></div> <div><span>Modulación</span></div> <div><span>Método</span></div> <div><span>Distancia de radiofrecuencia</span></div> <div><span>Entrada de zona</span></div> <div><span>EOL</span></div> <div><span>Interruptor antimanipulación</span></div> <div><span>Salida de relé</span></div> <div><span>Entrada de 12 V</span></div> <div><span>Salida de 12 V</span></div> <div><span>Interruptor de alimentación</span></div> <div><span>Puerto serie</span></div> </div> <div> <div><span>433 MHz</span></div> <div><span>2GFSK</span></div> <div><span>Comunicación bidireccional</span></div> <div><span>800 m (zona abierta)</span></div> <div><span>16</span></div> <div><span>1K, 2,2 K, 4,7 K, 8,2 K</span></div> <div><span>2 (parte delantera y trasera)</span></div> <div><span>2</span></div> <div><span>1, Se conecta a la batería</span></div> <div><span>2 canales</span></div> <div><span>Consumo total: 1 A</span></div> <div><span>1</span></div> <div><span>1</span></div> </div>	
<div> <div><span>Estado del led</span></div> </div> <div> <div><span>3: Alarma/Manipulación (Rojo), Fallo (Ámbar), Fuerza de la señal (Verde/Rojo)</span></div> </div>	
<div> <div><span>Fuente de alimentación</span></div> <div><span>Temperatura de funcionamiento</span></div> <div><span>Humedad de funcionamiento</span></div> <div><span>Dimensiones</span></div> <div><span>Peso</span></div> </div> <div> <div><span>100 a 240 VCA</span></div> <div><span>-10<span> </span>°C a 55<span> </span>°C</span></div> <div><span>10<span> </span>% a 90<span> </span>%</span></div> <div><span>199 x 261 x 86,4 mm</span></div> <div><span>975 g (sin batería)</span></div> <div><span>3024 g (con batería)</span></div> </div>	

Português	
<b>1</b> <i><b>Apresentação</b></i>	
<div> <div><span>1.</span> Indicador LED</div> <div> <div><span> </span><span> </span>Indicador de alarme</div> <div><span> </span><span> </span>Indicador de falha</div> <div><span> </span><span> </span>Indicador de registro</div> </div> </div> <div> <div><span>2.</span> Interruptor</div> <div><span>4.</span> Chave de violação</div> </div>	<div> <div><span>Alarme:</span> Vermelho fixo por 2 s</div> <div><span>Alarme de falha:</span> laranja fixo</div> <div><span>Registro concluído:</span> piscando em verde 7 vezes</div> </div> <div> <div><span>3.</span> Terminal de fiação</div> <div><span>5.</span> Encaixe da pilha</div> </div>
<b>2</b> <i><b>Configuração</b></i>	
<div> <div><span>1.</span> 2. Abra o invólucro.</div> <div><span>3.</span> Cabos</div> <div><span>A.</span> Plugue da bateria</div> <div><span>B.</span> Alimentação: 100 a 240 VCA</div> <div><span>C.</span> Alimentação: -EXT e +EXT; AUX- e AUX+</div> <div><span>a.</span> Saída de alarme (NO1/NC1 e COM1):PGM1 e C1</div> <div><span>b.</span> Entrada de alarme (NO2/NC2 e COM2): PGM2 e C2</div> <div><span>b1.</span> Detector NF</div> <div><span>b2.</span> SEM detector</div> <div><span>b3.</span> Antiviolação</div> <div><span>b4.</span> Ligação de zona dupla em série</div> <div><span>b5.</span> Ligação de zona dupla em paralelo</div> <div><span>D.</span> Entrada de zona: Z1 a Z16 e C</div> <div><span>4.</span> Instalação</div> <div><span>5.</span> Configure com o aplicativo.</div> <div><span>6.</span> Ligue o transmissor.</div> <div><span>Registro concluído:</span> Piscando em verde 7 vezes.</div> </div>	

1. Alarm: Tamnocrveni 2 sekunde

Alarm za kvar: Tamnožuti bez prekida

Uvrštavanje izvršeno: Zeleni LED indikator zatrepériće 7 puta

3. Terminal za instalacije

5. Odeljak za bateriju

Especificação	
<div> <div><span>Frequência de RF</span></div> <div><span>Modulação</span></div> <div><span>Método</span></div> <div><span>Distância de RF</span></div> <div><span>Entrada de zona</span></div> <div><span>EOL</span></div> <div><span>Chave de violação</span></div> <div><span>Saída do relé</span></div> <div><span>Entrada de 12 V</span></div> <div><span>Saída de 12 V</span></div> <div><span>Interruptor</span></div> <div><span>Porta serial</span></div> </div> <div> <div><span>433 MHz</span></div> <div><span>2GFSK</span></div> <div><span>Comunicação bidirecional</span></div> <div><span>800 m (área aberta)</span></div> <div><span>16</span></div> <div><span>1K, 2,2K, 4,7K, 8,2K</span></div> <div><span>2 (frontal e traseira)</span></div> <div><span>2</span></div> <div><span>1, conecta-se à bateria</span></div> <div><span>2 canais</span></div> <div><span>Consumo total: 1 A</span></div> <div><span>1</span></div> <div><span>1</span></div> </div>	
<div> <div><span>Status do LED</span></div> </div> <div> <div><span>3: Alarme/violação (vermelho), falha (laranja), intensidade do sinal (verde/vermelho)</span></div> </div>	
<div> <div><span>Fonte de alimentação</span></div> <div><span>Temperatura de operação</span></div> <div><span>Umidade de operação</span></div> <div><span>Dimensões (L x A x P)</span></div> <div><span>Peso</span></div> </div> <div> <div><span>100 a 240 VCA</span></div> <div><span>-10<span> </span>°C a 55<span> </span>°C</span></div> <div><span>10% a 90%</span></div> <div><span>199 x 261 x 86,4 mm</span></div> <div><span>975 g (sem bateria)</span></div> <div><span>3.024 g (com bateria)</span></div> </div>	

မြန်မာ	
<b>1</b> <i><b>အသွင်အပြင်လက္ခဏာ</b></i>	
<div> <div><span>1.</span> LED အညွှန်းမီး</div> <div> <div><span> </span><span> </span>အချက်ပေးသံ အညွှန်း အမှား အညွှန်းမီး ထည့်သွင်းခြင်း အညွှန်းမီး</div> </div> </div> <div> <div><span>2.</span> ပါမီခလုတ်</div> <div><span>3.</span> အခွင့်မရဝင်ရောက်ခြင်း အချက်ပေးခလုတ်</div> <div><span>5.</span> ဘက်ထရီနီဗီ</div> </div>	<div> <div><span>အချက်ပေးသံ- လုံးဝ အနီရောင် 2 စက္ကန့်</span></div> <div><span>အမှား အချက်ပေးသံ- လုံးဝ ပယ်ခင်ရောင် ထည့်သွင်းခြင်း၊ ငြိမ်းစီးမှု- အစိမ်းရောင် စီးနိုတ်တုတ် 7 ကြိမ်</span></div> <div><span>3.</span> ဝါဘာဘင်ရန် အစွန်း</div> <div><span>5.</span> ဘက်ထရီနီဗီ</div> </div>
<b>2</b> <i><b>တည်ဆောက်တပ်ဆင်ခြင်း</b></i>	
<div> <div><span>1.</span> 2. အကာကို ဖွင့်ပါ</div> <div><span>3.</span> ဝါယာတပ်ခြင်း</div> <div><span>A.</span> ဘက်ထရီပလတ်</div> <div><span>B.</span> ပါမီထောက်ပံ့မှု- 100 မှ 240 VAC</div> <div><span>C.</span> ပါမီထောက်ပံ့မှု EXT နှင့် +EXT<span> </span>; AUX- နှင့် AUX+</div> <div><span>a.</span> အချက်ပေးသံ အထွက် (NO1/NC1 နှင့် COM1)- PGM1 နှင့် C1</div> <div><span>b.</span> ဝင်္ဘက်ပေးသံ အဝင် (NO2/NC2 နှင့် COM2)- PGM2 နှင့် C2</div> <div><span>b1.</span> NC ဌာနဖွဲ့စက်</div> <div><span>b2.</span> NO ဌာနဖွဲ့စက်</div> <div><span>b3.</span> အခွင့်မရ ဝင်ရောက်မှု သက်သေခံ</div> <div><span>b4.</span> ရန်နှုန်းစု တန်းဆက် ချိတ်ဆက်ခြင်း</div> <div><span>b5.</span> ရန်နှုန်းစု ခြိုင်းဆက် ချိတ်ဆက်ခြင်း</div> <div><span>D.</span> ရန်အဝင် - Z1 မှ Z16 နှင့် C</div> <div><span>4.</span> တပ်ဆင်ခြင်း</div> <div><span>5.</span> အက်ပ်လွှဲ တည်ဆောက်တပ်ဆင်ခြင်း</div> <div><span>6.</span> ထရန်မစ်ဘက် ပါမီဖွင့်ပါ</div> <div><span>ထည့်သွင်းခြင်း ငြိမ်းစီးမှု- အစိမ်းရောင် စီးနိုတ်တုတ် 7 ကြိမ်</span></div> </div>	

1. Alarm: Tamnocrveni 2 sekunde

Alarm za kvar: Tamnožuti bez prekida

Uvrštavanje izvršeno: Zeleni LED indikator zatrepériće 7 puta

3. Terminal za instalacije

5. Odeljak za bateriju

အဝသးအိတ်အချက်အလက်	
<div> <div><span>RF ဖရီကွင်းစီ</span></div> <div><span>မော်ဂျူးလာရင်း</span></div> <div><span>နည်းလမ်း</span></div> <div><span>RF အကွာအဝေး</span></div> <div><span>ရန်အဝင်</span></div> <div><span>EOL</span></div> <div><span>အခွင့်မရ ဝင်ရောက်ခြင်း အချက်ပေးခလုတ်</span></div> <div><span>ရိုလ်အထွက်</span></div> <div><span>12 V အဝင်</span></div> <div><span>12 V အထွက်</span></div> <div><span>ပါမီခလုတ်</span></div> <div><span>စီနီယယ် လိုင်းပေါက်</span></div> </div> <div> <div><span>433 MHz</span></div> <div><span>2GFSK</span></div> <div><span>နှစ်နည်းသုံး ချိတ်ဆက်မှု</span></div> <div><span>800 m (အမှီးအကာဘးနီသည့် ခန့်ရာ)</span></div> <div><span>16</span></div> <div><span>1K<span> </span>; 2.2K<span> </span>; 4.7K<span> </span>; 8.2K</span></div> <div><span>2 (အခရု ဘက်နှင့် အခနောက်ဘက်)</span></div> <div><span>2</span></div> <div><span>1၊ ဘက်ထရီခြုံ ချိတ်ဆက်ပါ</span></div> <div><span>2 ခုန့်နယ်</span></div> <div><span>စုစုပေါင်း သုံးစွဲမှု- 1 A</span></div> <div><span>1</span></div> <div><span>1</span></div> </div>	
<div> <div><span>LED အခြေအနေ</span></div> </div> <div> <div><span>3- သတိပေးချက်/အခွင့်မရှိ ဝင်ရောက်မှု (အနီရောင်)၊ အမှား (ပယ်ခင်ရောင်)၊ ဆက်ကမ်းသား အစိမ်းရောင်/အနီရောင်</span></div> </div>	
<div> <div><span>ပါမီ ဝေးသွင်းမှု</span></div> <div><span>လုပ်ဆောင်ရန် အပူချိန်</span></div> <div><span>လုပ်ဆောင်ရန် ရှိထိုင်ခေ</span></div> <div><span>အတိုင်းအတာ(W x H x D)</span></div> <div><span>အလေးချိန်</span></div> </div> <div> <div><span>100 မှ 240 VAC</span></div> <div><span>-10°C မှ 55°C</span></div> <div><span>10% မှ 90%</span></div> <div><span>199 x 261 x 86.4mm</span></div> <div><span>975 g (ဘက်ထရီမပါ)</span></div> <div><span>3024g (ဘက်ထရီဖြင့်)</span></div> </div>	

Slovenščina	
<b>1</b> <i><b>Pregled naprave</b></i>	
<div> <div><span>1.</span> Indikator LED</div> <div> <div><span> </span><span> </span>Indikator alarma</div> <div><span> </span><span> </span>Indikator napake</div> <div><span> </span><span> </span>Indikator vpisa</div> </div> </div> <div> <div><span>2.</span> Stikalo za vklop/izklop</div> <div><span>4.</span> Stikalo za nedovoljne posege</div> </div>	<div> <div><span>Alarm:</span> Rdeča sveti 2 s</div> <div><span>Alarm za napako:</span> Gori jantarna</div> <div><span>Vpis končan:</span> Zelena 7-krat zasveti</div> <div><span>3.</span> Terminal za ožičenje</div> <div><span>5.</span> Držalo za baterijo</div> </div>
<b>2</b> <i><b>Nastavitev</b></i>	
<div> <div><span>1.</span> 2. Odprite pokrov.</div> <div><span>3.</span> Povezovanje</div> <div><span>A.</span> Baterijski vtič</div> <div><span>B.</span> Napajanje: od 100 do 240 VAC</div> <div><span>C.</span> Napajanje:-EXT in +EXT; AUX- in AUX+</div> <div><span>a.</span> Izhod za alarm (NO1/NC1 in COM1): PGM1 in C1</div> <div><span>b.</span> Vhod za alarm (NO2/NC2 in COM2): PGM2 in C2</div> <div><span>b1.</span> NC-detektor</div> <div><span>b2.</span> NO-detektor</div> <div><span>b3.</span> Zavarovano pred nedovoljenim poseganjem</div> <div><span>b4.</span> Povezava serij dvojnega območja</div> <div><span>b5.</span> Vzporedna povezava dvojnega območja</div> <div><span>D.</span> Vhod za cono: od Z1 do Z16 in C</div> <div><span>4.</span> Namestitve</div> <div><span>5.</span> Nastavite z aplikacijo.</div> <div><span>6.</span> Vkllopite oddajnik.</div> <div><span>Vpis končan:</span> Zelena 7-krat zasveti.</div> </div>	

1. Alarm: Tamnocrveni 2 sekunde

Alarm za kvar: Tamnožuti bez prekida

Uvrštavanje izvršeno: Zeleni LED indikator zatrepériće 7 puta

3. Terminal za instalacije

5. Odeljak za bateriju

Srpski	
<b>1</b> <i><b>Izgled</b></i>	
<div> <div><span>1.</span> LED indikator</div> <div> <div><span> </span><span> </span>Indikator alarma</div> <div><span> </span><span> </span>Indikator kvara</div> <div><span> </span><span> </span>Indikator uvrštavanja</div> </div> </div> <div> <div><span>2.</span> Prekidač za napajanje</div> <div><span>4.</span> Prekidač za sprečavanje neovlašćenih izmena</div> </div>	<div> <div><span>Alarm:</span> Tamnocrveni 2 sekunde</div> <div><span>Alarm za kvar:</span> Tamnožuti bez prekida</div> <div><span>Uvrštavanje izvršeno:</span> Zeleni LED indikator zatrepériće 7 puta</div> <div><span>3.</span> Terminal za instalacije</div> <div><span>5.</span> Odeljak za bateriju</div> </div>
<b>2</b> <i><b>Podešavanje</b></i>	
<div> <div><span>1.</span> 2. Otvaranje kućišta.</div> <div><span>3.</span> Povezivanje instalacija</div> <div><span>A.</span> Priključak za bateriju</div> <div><span>B.</span> Izvor napajanja: Od 100 do 240 VAC</div> <div><span>C.</span> Napajanje: -EXT i +EXT; AUX- i AUX+</div> <div><span>a.</span> Izlaz alarma (NO1/NC1 i COM1): PGM1 i C1</div> <div><span>b.</span> Izlaz alarma (NO2/NC2 i COM2): PGM2 i C2</div> <div><span>b1.</span> NC detektor</div> <div><span>b2.</span> NO detektor</div> <div><span>b3.</span> Otporno na neovlašćene izmene</div> <div><span>b4.</span> Serijska veza dualne zone</div> <div><span>b5.</span> Paralelna veza dualne zone</div> <div><span>D.</span> Izlaz zone: Z1 do Z16 i C</div> <div><span>4.</span> INSTALACIJA</div> <div><span>5.</span> Podešavanje pomoću aplikacije.</div> <div><span>6.</span> Uključite odašiljač.</div> <div><span>Uvrštavanje izvršeno:</span> Zeleni LED indikator zatrepériće 7 puta.</div> </div>	

1. Alarm: Tamnocrveni 2 sekunde

Alarm za kvar: Tamnožuti bez prekida

Uvrštavanje izvršeno: Zeleni LED indikator zatrepériće 7 puta

3. Terminal za instalacije

5. Odeljak za bateriju

Specifikacije	
<div> <div><span>RF frekvencija</span></div> <div><span>Modulacija</span></div> <div><span>Metod</span></div> <div><span>RF razdaljina</span></div> <div><span>Ulaz zone</span></div> <div><span>EOL</span></div> <div><span>Prekidač za sprečavanje neovlašćenih izmena</span></div> <div><span>Izlaz releja</span></div> <div><span>12 V ulaz</span></div> <div><span>12 V izlaz</span></div> <div><span>Prekidač za napajanje</span></div> <div><span>Serijski port</span></div> </div> <div> <div><span>433 MHz</span></div> <div><span>2GFSK</span></div> <div><span>Dvosmerna komunikacija</span></div> <div><span>800 m (otvoreni prostor)</span></div> <div><span>16</span></div> <div><span>1K, 2,2 K, 4,7 K, 8,2 K</span></div> <div><span>2 (prednji i zadnji)</span></div> <div><span>2</span></div> <div><span>1, Povezuje se sa baterijom</span></div> <div><span>2-kanalni</span></div> <div><span>Ukupna potrošnja: 1 A</span></div> <div><span>1</span></div> <div><span>1</span></div> </div>	
<div> <div><span>Status LED-a</span></div> </div> <div> <div><span>3: Alarm/neovlašćene izmene (crveni), greška (tamnožuti), jačina signala (zeleni/crveni)</span></div> </div>	
<div> <div><span>Napajanje</span></div> <div><span>Radna temperatura</span></div> <div><span>Radna vlažnost</span></div> <div><span>Dimenzije (Š x V x D)</span></div> <div><span>Težina</span></div> </div> <div> <div><span>Od 100 do 240 VAC</span></div> <div><span>Od -10<span> </span>°Cdo 55<span> </span>°C</span></div> <div><span>Od 10<span> </span>%do 90<span> </span>%</span></div> <div><span>199 x 261 x 86,4 mm</span></div> <div><span>975 g (bez baterije)</span></div> <div><span>3024 g (sa baterijom)</span></div> </div>	

