

Date 2018-05-15

To: SGS North America Inc.
620 Old Peachtree Road
SUITE 100
Suwanee, Georgia
United States

Subject: **FCC Class II Permission Change Request for FCC ID: 2ADTD-K1T803EF**

Dear Sir/Madam,

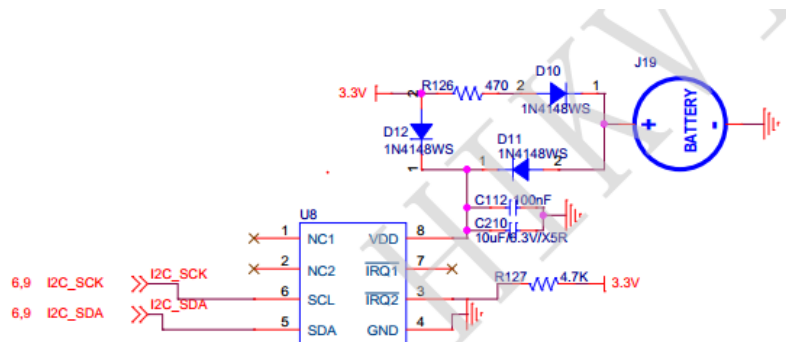
This is to request a Class II Permission Change Request for FCC ID: 2ADTD-K1T803EF, originally granted on 10/09/2017

The Major change filed under this application is

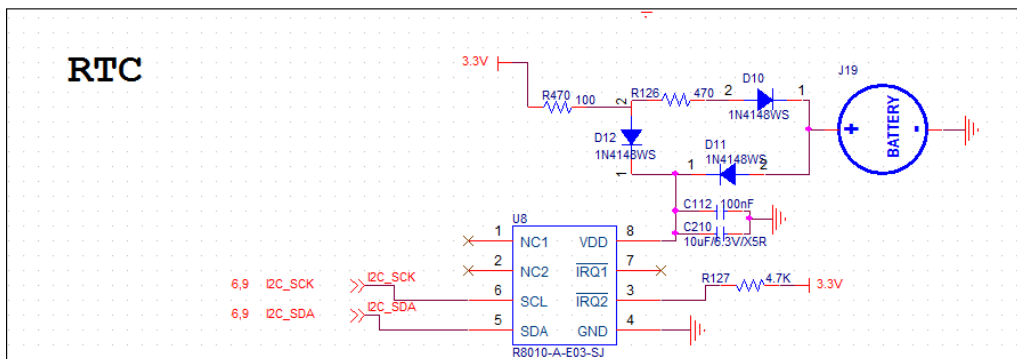
Product RTC protection circuit change:

Before the change:

RTC



After the change:



If you have any questions regarding this application, please free to contact me.

Hangzhou Hikvision Digital Technology Co., Ltd.

Yours Sincerely,
Signature

Weiliang Bu

Contact name:

Company Name: Hangzhou Hikvision Digital Technology Co., Ltd.