

EN 50131-2-4:2020  
EN 50131-1+A1+A2+A3  
Environment Class II  
Security Grade 2  
Tested by TÜV Rheinland

## English

### 1 Appearance

1. PIR sensitivity jumper 2. LED jumper 3. Alarm pin 4. Terminals  
5. Tamper pin 6. Tamper 7. PIR sensor 8. LED indicator  
9. Microwave sensor

### 2 Installation

#### 3 Resistor Wiring

Relay Status

	Normal	PIR & Microwave Alarm	PIR Fault	Microwave Fault	Tamper
Alarm Relay	Close	Open	Open	Close	Close

Method 1: Use the jumper to select EOL (End of Line) resistance on TAMPER/ALARM pins.

Method 2: Add the resistor to TAMPER/ALARM wiring ports.

**Note:** If EOL wiring is not used, leave the jumpers OFF. Do not force the jumper if it is not matched the pin. Method 1 & 2 should not be used on the ALARM/TAMPER at the same time.

- a. Alarm Resistance: 1K, 2K2, 4K7, 5K6, 6K8  
b. Tamper Resistance: 1K, 2K2, 4K7, 5K6

#### 4 Connection Type

**Note:** The resistor must be connected in series with one end of the detector.

- a. Normally Closed  
b. Single End of Line Wiring  
c. Double End of Line Wiring

#### 5 Detection Range

#### 6 Powering On

After powering on, the indicator flashes rapidly. Once the detector self test is completed, the LED indicator will go out until the detector detects movement.

## Specification

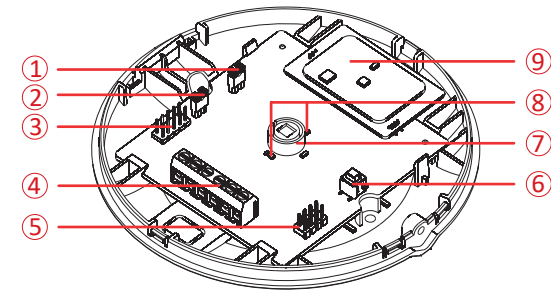
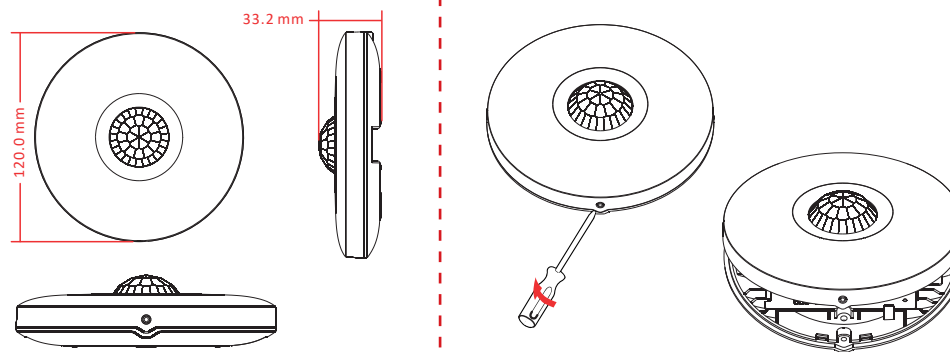
Detection method	Passive Infrared, Microwave
Detection range	12 m
Detection angle	360°
Detection zones	172
Detectable speed	0.3 to 2 m/s
Sensitivity	Auto, Low
White light filter	6500 lux
Microwave frequency	24 GHz(24 to 24.25 GHz)
Digital temperature compensation	Support
Creep zone protection	Support
Digital processing	Support
Sealed optics	Support
Tamper protection	Front
LED indicator	Green(PIR), Red(Microwave), Blue(Alarm)
Power consumption	100 mA Max
Power supply	9 to 16 VDC
Typical voltage	12 VDC
Operation temperature	-10 °C to 55 °C (14 °F to 131 °F)
Storage temperature	-20 °C to 60 °C (-4 °F to 140 °F)
Operation humidity	10% to 90%
Dimension	φ120 mm x 33.2 mm
Weight	138 g
Mounting height	2.4 to 4 m
Mounting method	Ceiling
Application scenario	Indoor

Please use the power supplies comply with the requirements of EN 50131-6 at the appropriate grade and environmental class.

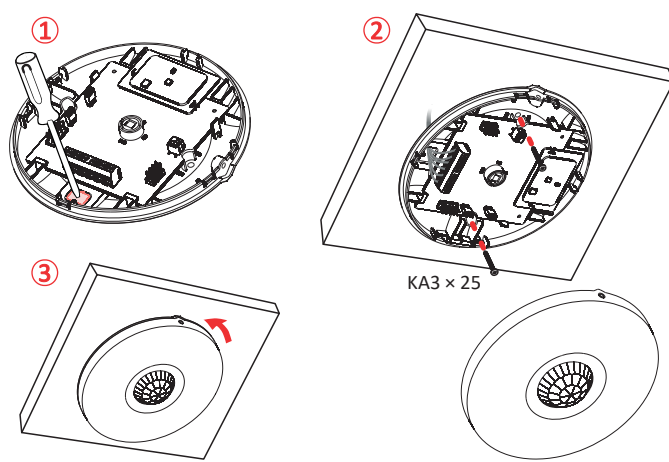
⚠ Please do not obscure the detector's field of view partially or completely.

UD26464B

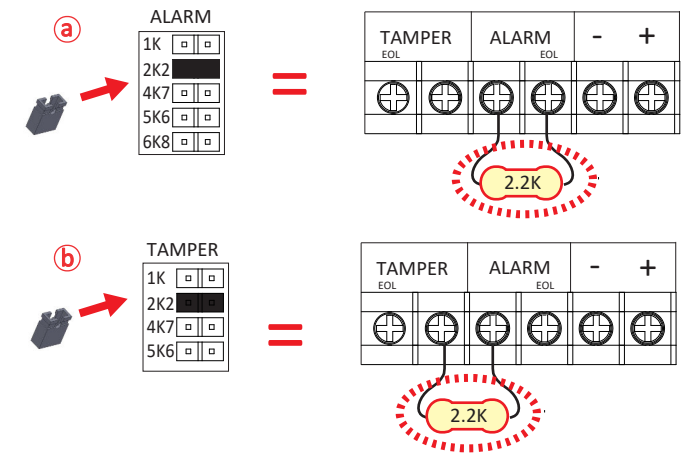
1



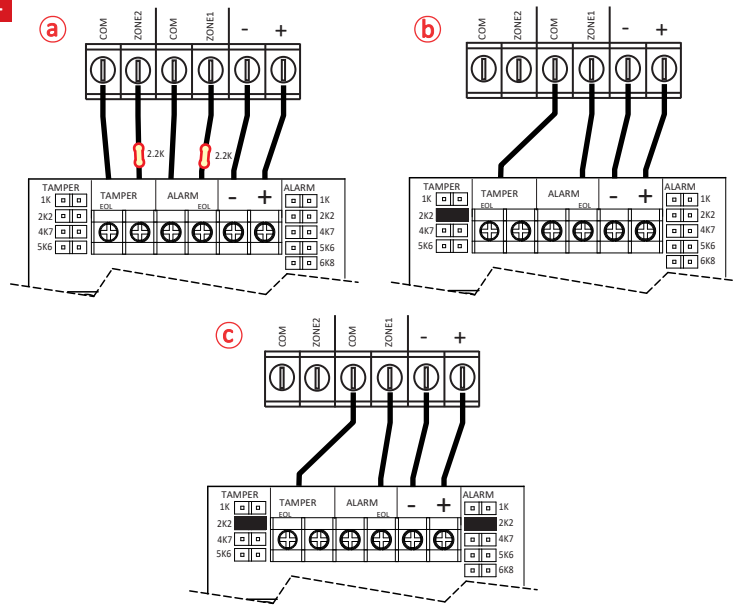
2



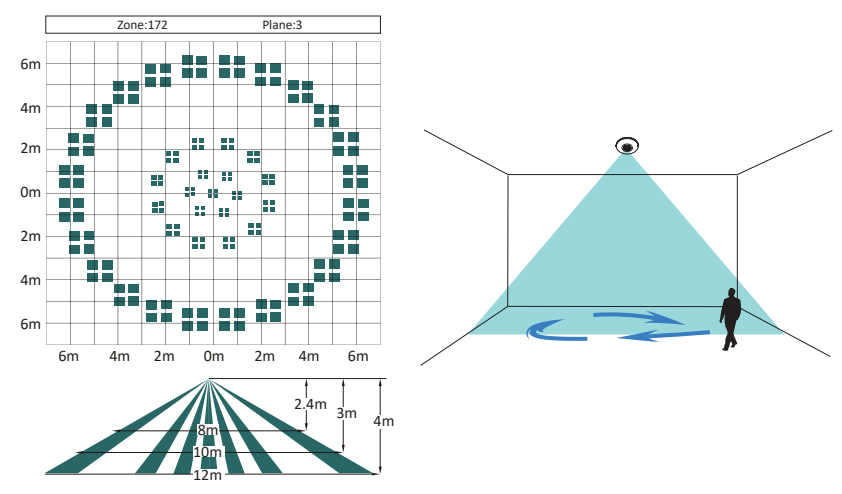
3



4



5



# English

©2023 Hangzhou Hikvision Digital Technology Co., Ltd. All rights reserved.

**About this Manual**  
The Manual includes instructions for using and managing the Product. Pictures, charts, images and all other information hereinafter are for description and explanation only. The information contained in the Manual is subject to change, without notice, due to firmware updates or other reasons. Please find the latest version of this Manual at the Hikvision website (<https://www.hikvision.com/>).

Please use this Manual with the guidance and assistance of professionals trained in supporting the Product.

**Hikvision** and other Hikvision's trademarks and logos are the properties of Hikvision in various jurisdictions. Other trademarks and logos mentioned are the properties of their respective owners. Disclaimer

TO THE MAXIMUM EXTENT PERMITTED BY APPLICABLE LAW, THIS MANUAL AND THE PRODUCT DESCRIBED, WITH ITS HARDWARE, SOFTWARE AND FIRMWARE, ARE PROVIDED "AS IS" AND "WITH ALL FAULTS AND ERRORS". HIKVISION MAKES NO WARRANTIES, EXPRESS OR IMPLIED, INCLUDING WITHOUT LIMITATION, MERCHANTABILITY, SATISFACTORY QUALITY, OR FITNESS FOR A PARTICULAR PURPOSE. THE USE OF THE PRODUCT BY YOU IS AT YOUR OWN RISK. IN NO EVENT WILL HIKVISION BE LIABLE TO YOU FOR ANY SPECIAL, CONSEQUENTIAL, INCIDENTAL, OR INDIRECT DAMAGES, INCLUDING, AMONG OTHERS, DAMAGES FOR LOSS OF BUSINESS PROFITS, BUSINESS INTERRUPTION, OR LOSS OF DATA, CORRUPTION OF SYSTEMS, OR LOSS OF DOCUMENTATION, WHETHER BASED ON BREACH OF CONTRACT, TORT (INCLUDING NEGLIGENCE), PRODUCT LIABILITY, OR OTHERWISE, IN CONNECTION WITH THE USE OF THE PRODUCT, EVEN IF HIKVISION HAS BEEN ADVISED OF THE POSSIBILITY OF SUCH DAMAGES OR LOSS. YOU ACKNOWLEDGE THAT THE NATURE OF THE INTERNET PROVIDES FOR INHERENT SECURITY RISKS, AND HIKVISION SHALL NOT TAKE ANY RESPONSIBILITIES FOR ANOMALOUS OPERATION, PRIVACY VIOLATION OR OTHER DAMAGES RESULTING FROM CYBER ATTACK, HACKER ATTACK, VIRUS INFECTION, OR OTHER INTERNET SECURITY RISKS; HOWEVER, HIKVISION WILL PROVIDE TIMELY TECHNICAL SUPPORT IF REQUIRED. YOU AGREE TO USE THIS PRODUCT IN COMPLIANCE WITH ALL APPLICABLE LAWS, AND YOU ARE SOLELY RESPONSIBLE FOR ENSURING THAT YOUR USE CONFORMS TO THE APPLICABLE LAW. ESPECIALLY, YOU ARE RESPONSIBLE FOR USING THIS PRODUCT IN A MANNER THAT DOES NOT INFRINGE ON THE RIGHTS OF THIRD PARTIES, INCLUDING WITHOUT LIMITATION, RIGHTS OF PUBLICITY, INTELLECTUAL PROPERTY RIGHTS, OR DATA PROTECTION AND OTHER PRIVACY RIGHTS. YOU SHALL NOT USE THIS PRODUCT FOR ANY PROHIBITED END USES, INCLUDING THE DEVELOPMENT OR PRODUCTION OF WEAPONS OF MASS DESTRUCTION, THE DEVELOPMENT OR PRODUCTION OF CHEMICAL OR BIOLOGICAL WEAPONS, ANY ACTIVITIES IN THE CONTEXT RELATED TO ANY NUCLEAR EXPLOSIVE OR UNSAFE NUCLEAR FUEL-CYCLE, OR IN SUPPORT OF HUMAN RIGHTS ABUSES. IN THE EVENT OF ANY CONFLICTS BETWEEN THIS MANUAL AND THE APPLICABLE LAW, THE LATTER PREVAILS.

**CE** This product and / if applicable the supplied accessories too are marked with "CE" and comply therefore with the applicable harmonized European standards listed under the RE Directive 2014/53/EU, the EMC Directive 2014/30/EU, the LVD Directive 2014/35/EU, the RoHS Directive 2011/65/EU

**♻️** 2012/19/EU (WEEE directive): Products marked with this symbol cannot be disposed of as unsorted municipal waste in the European Union. For proper recycling, return this product to your local supplier upon the purchase of equivalent new equipment, or dispose of it at designated collection points. For more information see: [www.recyclethis.info](http://www.recyclethis.info)

**🔋** 2006/66/EC (battery directive): This product contains a battery that cannot be disposed of as unsorted municipal waste in the European Union. See the product documentation for specific battery information. The battery is marked with this symbol, which may include lettering to indicate cadmium (Cd), lead (Pb), or mercury (Hg). For proper recycling, return the battery to your supplier or to a designated collection point. For more information see: [www.recyclethis.info](http://www.recyclethis.info)

**FCC Information**  
Please take attention that changes or modification not expressly approved by the party responsible for compliance could void the user's authority to operate the equipment.

FCC compliance: This equipment has been tested and found to comply with the limits for a Class B digital device, pursuant to part 15 of the FCC Rules. These limits are designed to provide reasonable protection against harmful interference in a residential installation. This equipment generates, uses and can radiate radio frequency energy and, if not installed and used in accordance with the instructions, may cause harmful interference to radio communications. However, there is no guarantee that interference will not occur in a particular installation. If this equipment does cause harmful interference to radio or television reception, which can be determined by turning the equipment off and on, the user is encouraged to try to correct the interference by one or more of the following measures:

- Reorient or relocate the receiving antenna.
- Increase the separation between the equipment and receiver.
- Connect the equipment into an outlet on a circuit different from that to which the receiver is connected.
- Consult the dealer or an experienced radio/TV technician for help.

This device complies with part 15 of the FCC Rules. Operation is subject to the following two conditions:

1. This device may not cause harmful interference.
2. This device must accept any interference received, including interference that may cause undesired operation.

## INSTALLATION CAUTION

1. Install the equipment according to the instructions in this manual.
2. To prevent injury, this equipment must be securely attached to the floor/wall in accordance with the installation instructions.