



# FCC TEST REPORT

Page 1 of 20

**LAB LOCATION:** DONG GUAN, CHINA      **REPORT NUMBER:** 65316-090115-5  
**DATE IN:** Oct 17, 2016      **DATE OUT:** Oct 24, 2016

Product Description : Lovehoney Thrill Seeker 10 Function Remote Control  
Vibrating Love Egg

Style No. : LH-67126, LH-67127, LH-67128

P.O/Order No. : /

FCC ID : 2ADSQ-LH

Applicant's name : Lovehoney Ltd

Address : 100 Locksbrook Road, Bath, BA1 3EN, UK

Manufacturer : Lovehoney Ltd

Address : 100 Locksbrook Road, Bath, BA1 3EN, UK

Laboratory Name : Modern Testing Services (Dongguan) Limited  
Address : No.76, Liang Ping Road, Xin Jiu Wei Village, Liaobu,  
Town Dongguan City, Guangdong Province, China  
Tel: (86)769-81120818  
Fax: (86)769-81120815

Report No. : 65316-090115-5



# FCC TEST REPORT

## TEST RESULT CERTIFICATION

**Applicant's name** ..... : Lovehoney Ltd  
Address ..... : 100 Locksbrook Road, Bath, BA1 3EN, UK

**Manufacture's Name**..... : Lovehoney Ltd  
Address ..... : 100 Locksbrook Road, Bath, BA1 3EN, UK

### Product description

Trade Mark: /  
Product name..... : Lovehoney Thrill Seeker 10 Function Remote Control Vibrating Love Egg  
Style No. .... : LH-67126, LH-67127, LH-67128  
**Standards** ..... : FCC Rules and Regulations Part 15 Subpart C Section 15.231  
ANSI C63.10: 2013

This publication may be reproduced in whole or in part for non-commercial purposes as long as the Modern Testing Services (Dongguan) Limited is acknowledged as copyright owner and source of the material. Modern Testing Services (Dongguan) Limited takes no responsibility for and will not assume liability for damages resulting from the reader's interpretation of the reproduced material due to its placement and context.

**Date of Test**..... :  
Date (s) of performance of tests..... : **Oct 17, 2016 ~ Oct 24, 2016**  
Date of Issue..... : **Oct 24, 2016**  
Test Result..... : **Pass**

Prepared by:

**Oct 24, 2016**

LI Sheng Chao, Sam  
Project Engineer

Reviewed by:

**Oct 24, 2016**

CHEN Chu Peng, Kait  
EMC Manager

Table of Contents	Page
1 . TEST SUMMARY	4
2 . GENERAL INFORMATION	5
2.1 General description of EUT	5
2.2 Carrier frequency of channels	6
2.3 Operation of EUT during testing	6
2.4 Description of test setup	6
2.5 Measurement instruments list	7
3 . RADIATED EMISSION TEST	9
3.1 Block diagram of test setup	9
3.2 Limits	10
3.3 Test procedure	10
3.4 Test result	10
4 . OCCUPIED BANDWIDTH MEASUREMENT	13
4.1 Block diagram of test setup	13
4.2 Limits	13
4.3 Test procedure	13
4.4 Test Result	13
5 . DEACTIVATION TIME	15
5.1 Block diagram of test setup	15
5.2 Limits	15
5.3 Test procedure	15
5.4 Test Result	15
6 . AC POWER LINE CONDUCTED EMISSION	17
6.1 Block diagram of test setup	17
6.2 Limits	17
6.3 Test procedure	17
6.4 Test Result	17
7 . ANTENNA REQUIREMENT	18
8 . POTOGRAPH OF TEST	19
8.1 Radiated Emission	19

## 1. TEST SUMMARY

### 1.1 Description of Test

FCC Rules	Description of Test	Result
Section 15.231(a)	Electric Field Strength of Fundamental Emission	Compliant
Section 15.231(a)	Electric Field Strength of Spurious Emission	Compliant
Section 15.231(c)	20dB bandwidth & 99% bandwidth	Compliant
FCC §15.231(a)	Deactivation Time	Compliant
Section 15.207	AC Power Line Conducted Emission Test	Compliant
Section 15.203	Antenna Requirement	Compliant

### 1.2 Test Location

Test Firm : Dongguan Dongdian Testing Service Co., Ltd  
 Address : No.17 Zongbu road 2, Songshan Lake Sci&Tech, DongGuan  
 City, Guangdong province,523808 China  
 FCC Registration Number: 270092

### 1.3 Measurement Uncertainty

**Measurement Uncertainty**  
 Conducted Emission Expanded Uncertainty = 2.23dB, k=2  
 Radiated emission expanded uncertainty(9kHz-30MHz) = 3.08dB, k=2  
 Radiated emission expanded uncertainty(30MHz-1000MHz) = 4.42dB, k=2  
 Radiated emission expanded uncertainty(Above 1GHz) = 4.06dB, k=2

## 2. GENERAL INFORMATION

### 2.1 General description of EUT

EUT	Lovehoney Thrill Seeker 10 Function Remote Control Vibrating Love Egg
Model Name	LH-67126, LH-67127, LH-67128
Serial No	/
FCC ID	2ADSQ-LH
Model Difference	All the model are the same circuit and RF module, except The appearance surface, this report only test model name: LH-67126
Modulation Type	ASK
Antenna Type	Internal Antenna
Antenna Gain	1dBi
Operation frequency	433.92MHz
Number of Channels	1
Power Source	DC 12V
Power Rating	/
Adapter Model	/



# FCC TEST REPORT

## 2.2 Carrier frequency of channels

CH1: 433.92MHz

## 2.3 Operation of EUT during testing

Operating Mode

The mode is used: **Transmitting mode**

Channel 1: 433.92MHz

## 2.4 Description of test setup



## 2.5 Measurement instruments list

Item	Equipment	Manufacturer	Model No.	Serial No.	Last Cal.	Cal. Interval
1.	EMI Receiver	Rohde & Schwarz	ESCI	100627	May 10, 2016	1 Year
2.	LISN	SchwarzBeck	NSLK 8126	8126377	May 10, 2016	1 Year
3.	RF Switching Unit	Compliance Direction	RSU-M2	38303	May 10, 2016	1 Year
4.	EMI Test Software ES-K1	Rohde & Schwarz	N/A	N/A	N/A	N/A
5.	EMI Test Receiver	Rohde & Schwarz	ESCI	100627	May 10, 2016	1 Year
6.	Trilog Broadband Antenna	Schwarzbeck	VULB9163	VULB 9163-289	May 12, 2016	1 Year
7.	Pre-amplifier	Compliance Direction	PAP-0203	22008	May 10, 2016	1 Year
8.	EMI Test Software EZ-EMC	SHURPLE	N/A	N/A	N/A	N/A
9.	EMI Receiver	Rohde & Schwarz	ESCI	100627	May 10, 2016	1 Year
10.	LISN	SchwarzBeck	NSLK 8126	8126377	May 10, 2016	1 Year
11.	RF Switching Unit	Compliance Direction	RSU-M2	38303	May 10, 2016	1 Year
12.	EMI Test Software ES-K1	Rohde & Schwarz	N/A	N/A	N/A	N/A
13.	EMI Receiver	Rohde & Schwarz	ESCI	100627	May 10, 2016	1 Year
14.	EMI Receiver	Rohde & Schwarz	ESCI	100627	May 10, 2016	1 Year
15.	LISN	SchwarzBeck	NSLK 8126	8126377	May 10, 2016	1 Year
16.	RF Switching Unit	Compliance Direction	RSU-M2	38303	May 10, 2016	1 Year
17.	EMI Test Software ES-K1	Rohde & Schwarz	N/A	N/A	N/A	N/A
18.	Programmable AC Power source	SOPH POWER	PAG-1050	630250	May 10, 2016	1 Year
19.	Harmonic and Flicker Analyzer	LAPLACE	AC2000A	272629	May 10, 2016	1 Year
20.	Harmonic and Flicker Test Software AC 2000A	LAPLACE	N/A	N/A	N/A	N/A
21.	ESD Simulators	KIKUSUI	KES4021	LJ003477	May 10, 2016	1 Year
22.	EFT Generator	EMPEK	EFT-4040B	0430928N	May 10, 2016	1 Year
23.	Shielding Room	ChangZhou ZhongYu	JB88	SEL0166	May 10, 2016	1 Year
24.	Signal Generator 9KHz~2.2GHz	R&S	SML02	SEL0143	May 10, 2016	1 Year
25.	Signal Generator 9KHz~1.1GHz	R&S	SML01	SEL0135	May 10, 2016	1 Year
26.	Power Meter	R&S	NRVS	SEL0144	May 10, 2016	1 Year
27.	RF Level Meter		URV35	SEL0137	May 10, 2016	1 Year

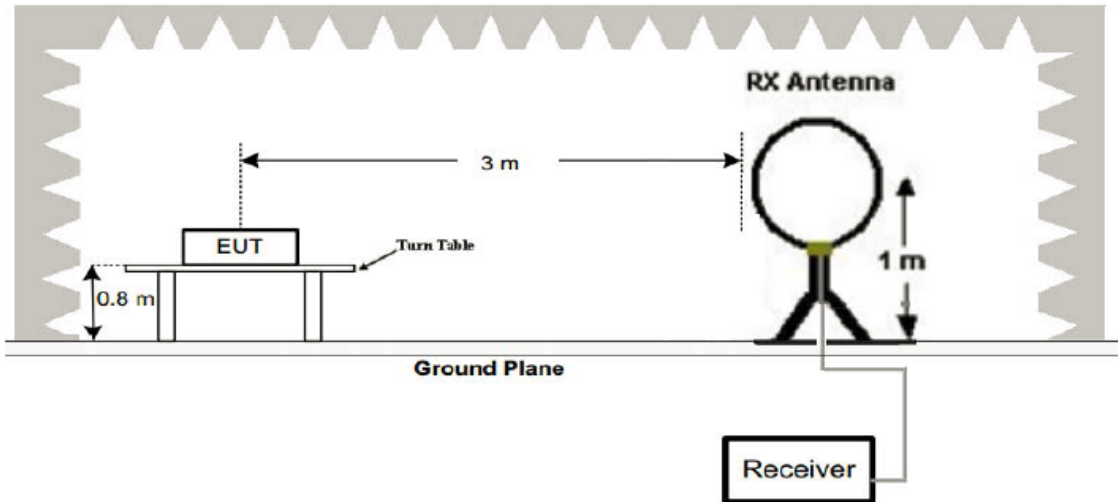
28.	Audio Analyzer	R&S	UPL	SEL0136	May 10, 2016	1 Year
29.	RF-Amplifier 150KHz~150MHz	BONN Elektronik	BSA1515-25	SEL0157	May 10, 2016	1 Year
30.	Stripline Test Cell	Erika Fiedler	VDE0872	SEL0167	May 10, 2016	N/A
31.	TV Test Transmitter	R&S	SFM	SEL0159	May 10, 2016	1 Year
32.	TV Generator PAL	R&S	SGPF	SEL0138	May 10, 2016	1 Year
33.	TV Generator Ntsc	R&S	SGMF	SEL0140	May 10, 2016	1 Year
34.	TV Generator Secam	R&S	SGSF	SEL0139	May 10, 2016	1 Year
35.	TV Test Transmitter 0.3MHz~3300MHz	R&S	SFQ	SEL0142	May 10, 2016	1 Year
36.	MPEG2 Measurement Generator	R&S	DVG	SEL0141	May 10, 2016	1 Year
37.	Spectrum Analyzer	R&S	FSP	SEL0177	May 10, 2016	1 Year
38.	Matching	R&S	RAM	SEL0146	N/A	N/A
39.	Matching	R&S	RAM	SEL0148	N/A	N/A
40.	Absorbing Clamp	R&S	MDS21	SEL0158	May 10, 2016	1 Year
41.	Coupling Set	Erika Fiedler	Rco, Rci, MC, AC, LC	SEL0149	N/A	N/A
42.	Filters	Erika Fiedler	Sr, LBS	SEL0150	N/A	N/A
43.	Matching Network	Erika Fiedler	MN, SLT-SYT100- 1M	SEL0151	N/A	N/A
44.	Fully Anechoic Room	ChangZhou ZhongYu	854	SEL0169	May 10, 2016	1 Year
45.	Signal Generator	R&S	SML03	SEL0068	May 10, 2016	1 Year
46.	RF-Amplifier 30M~1GHz	Amplifier Reasearch	250W1000A	SEL0066	Oct. 24, 2015	1 Year
47.	RF-Amplifier 0.8~3.0GHz	Amplifier Reasearch	60S1G3	SEL0065	Oct. 24, 2015	1 Year
48.	Power Meter	R&S	NRVD	SEL0069	May 10, 2016	1 Year
49.	Power Sensor	R&S	URV5-Z2	SEL0071	May 10, 2016	1 Year
50.	Power Sensor	R&S	URV5-Z2	SEL0072	May 10, 2016	1 Year
51.	Software EMC32	R&S	EMC32-S	SEL0082	May 10, 2016	N/A
52.	Log-periodic Antenna	Amplifier Reasearch	ASLT-SYT10 0-1M080	SEL0073	May 10, 2016	N/A
53.	Antenna Tripod	Amplifier Reasearch	TP1000A	SEL0074	May 10, 2016	N/A
54.	High Gain Horn Antenna(0.8-5G Hz)	Amplifier Reasearch	AT4002A	SEL0075	May 10, 2016	N/A



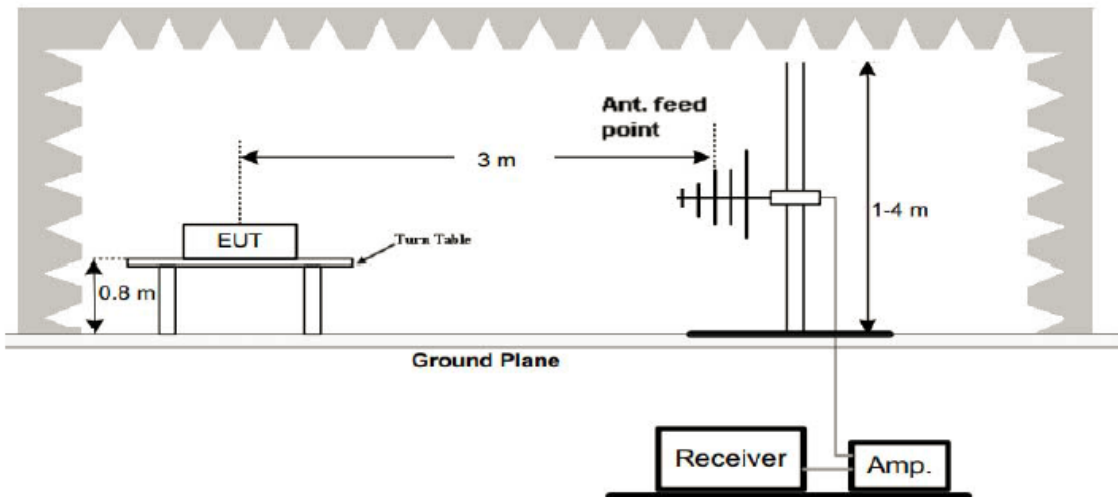
### 3. RADIATED EMISSION TEST

#### 3.1 Block diagram of test setup

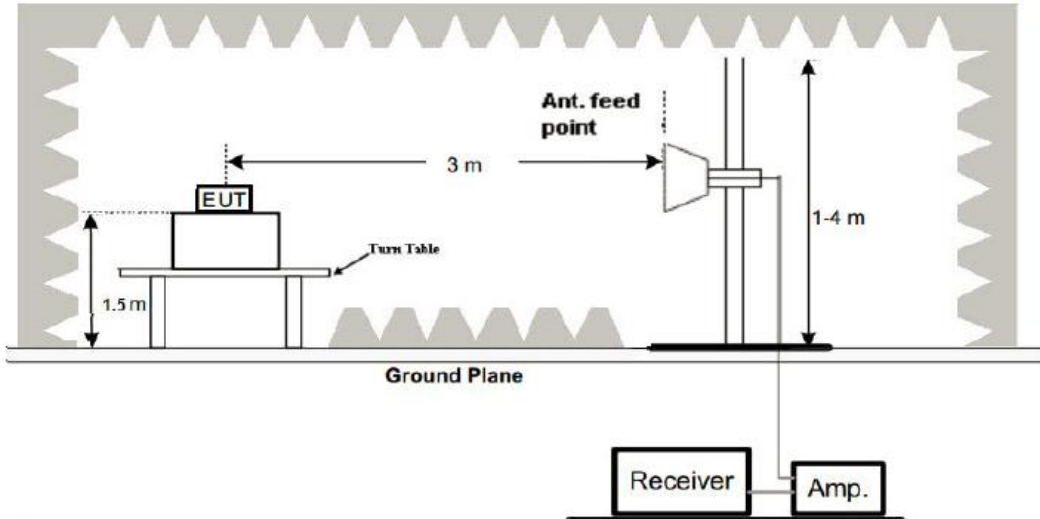
- (1) Radiated Emission Test-Up Frequency Below 30MHz



- (2) Radiated Emission Test-Up Frequency 30MHz~1GHz



- (3) Radiated Emission Test-Up Frequency Above 1GHz



### 3.2 Limits

For intentional device, according to 15.209(a), the general requirement of field strength of radiated emission from intentional radiators at a distance of 3 meters shall not exceed the following table.

Frequency (MHz)	Distance (Meters)	Radiated (dBμV/m)	Radiated (μV/m)
0.009-0.49	3	20log(2400/F(KHz))+40log(300/3)	2400/F(KHz)
0.49-1.705	3	20log(24000/F(KHz))+ 40log(30/3)	24000/F(KHz)
1.705-30	3	20log(30)+ 40log(30/3)	30
30-88	3	40.0	100
88-216	3	43.5	150
216-960	3	46.0	200
Above 960	3	54.0	500

In addition to the provisions of 15.231(b), the field strength of emissions from intentional radiators operated under this section shall not exceed the following:

Funda-mental fre-quency (MHz)	Field strength of funda-mental (microvolts/ meter)	Field strength of spurious emissions (microvolts/meter)
40.66–40.70	2,250 .....	225
70–130 .....	1,250 .....	125
130–174 ....	<sup>1</sup> 1,250 to 3,750 .....	<sup>1</sup> 125 to 375
174–260 ....	3,750 .....	375
260–470 ....	<sup>1</sup> 3,750 to 12,500 .....	<sup>1</sup> 375 to 1,250
Above 470	12,500 .....	1,250

<sup>1</sup> Linear interpolations.

[Where F is the frequency in MHz, the formulas for calculating the maximum permitted fundamental field strengths are as follows: for the band 260-470 MHz, μV/m at 3 meters =41.6667(F) - 7083.3333. The maximum permitted unwanted emission level is 20 dB below the maximum permitted fundamental level.]

### 3.3 Test procedure

- 1, Below 1GHz measurement the EUT is placed on turntable which is 0.8m above ground plane. And above 1GHz measurement EUT was placed on low permittivity and low tangent turn table which is 1.5m above ground plane.
- 2, Maximum procedure was performed by raising the receiving antenna from 1m to 4m and rotating the turn table from 0°C to 360°C to acquire the highest emissions from EUT
- 3, And also, each emission was to be maximized by changing the polarization of receiving antenna both horizontal and vertical.
- 4, Repeat above procedures until all frequency measurements have been completed.

Note:

For battery operated equipment, the equipment tests shall be performed using a new battery.

### 3.4 Test result

Pass

The emissions from 30MHz to 5GHz are measured peak and average level, below 1 GHz measured QP level, detailed test data please see below. Besides, we tested 3 directions and recorded the worst data.

Frequency	Receiver Reading	Detector	Turn table Angle	RX Antenna		Corrected Factor	Corrected Amplitude	FCC Part 15.231	
				Height	Polar			Limit	Margin
(MHz)	(dBμV)	(PK/Q P/Ave)	Degree	(m)	(H/V)	(dB/m)	(dBμV/m)	(dBμV/m)	(dB)
433.92	58.05	PK	227	1.7	H	-7.31	65.36	100.82	-35.46
433.92	55.93	PK	220	1.1	V	-7.31	63.24	100.82	-37.58
867.84	45.55	PK	109	1.2	H	0.04	45.51	80.82	-35.31
867.84	41.12	PK	331	1.5	V	0.04	41.08	80.82	-39.74
1301.76	41.06	PK	357	1.9	H	-16.38	57.44	80.82	-23.38
1301.76	37.01	PK	324	1.8	V	-16.38	53.39	80.82	-27.43
1735.68	38.72	PK	325	1.7	H	-14.87	53.59	80.82	-27.23
1735.68	35.18	PK	355	1.7	V	-14.87	50.05	80.82	-30.77

Frequency	PK	Turn table Angle	RX Antenna		Duty cycle Factor	AV	FCC Part 15.231	
			Height	Polar			Limit	Margin
(MHz)	(dBμV/m)	Degree	(m)	(H/V)	(dB)	(dBμV/m)	(dBμV/m)	(dB)
433.92	65.36	317	1.7	H	0.00	65.36	80.82	-15.46
433.92	63.24	147	1.1	V	0.00	63.24	80.82	-17.58
867.84	45.51	71	1.2	H	0.00	45.51	60.82	-15.31
867.84	41.08	76	1.5	V	0.00	41.08	60.82	-19.74
1301.76	57.44	79	1.9	H	0.00	57.44	60.82	-3.38
1301.76	53.39	316	1.8	V	0.00	53.39	60.82	-7.43
1735.68	53.59	325	1.7	H	0.00	53.59	60.82	-7.23
1735.68	50.05	159	1.7	V	0.00	50.05	60.82	-10.77

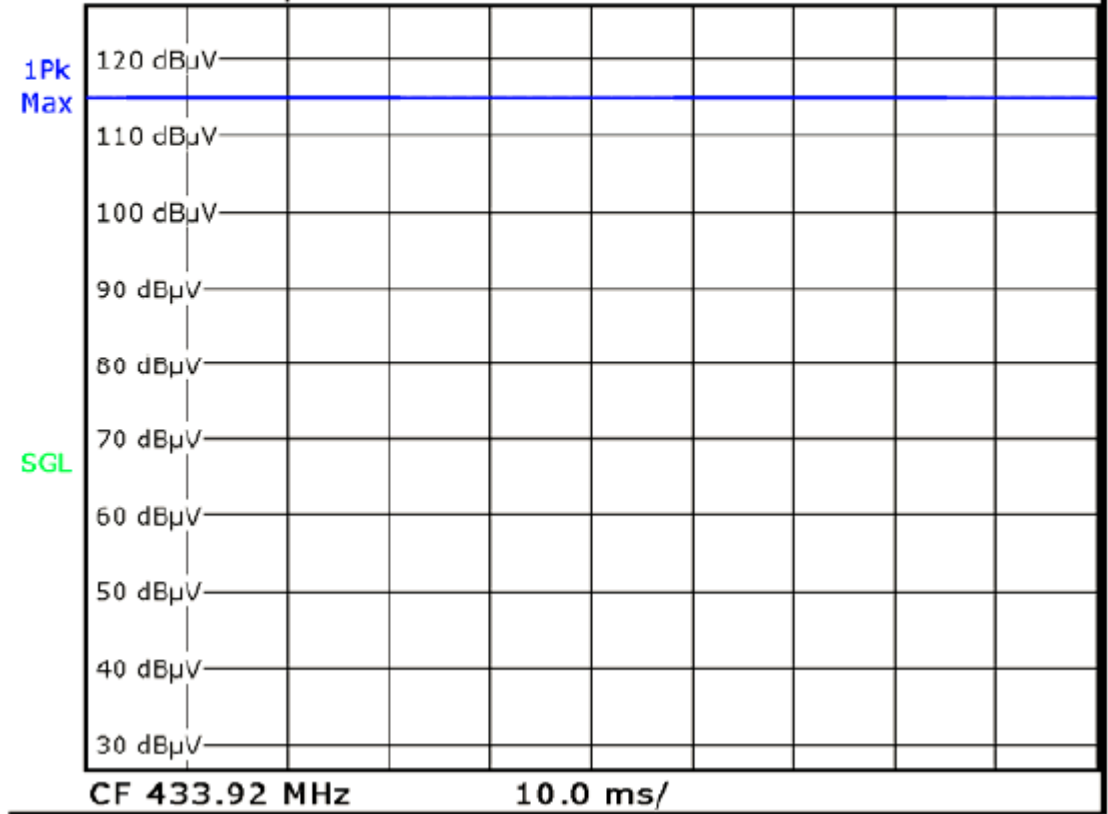
**Note:**

- AV Level (dBuV/m)= PK Level (dBuV/m) + AV Factor(dB)

Data of Duty Cycle See the follow page:

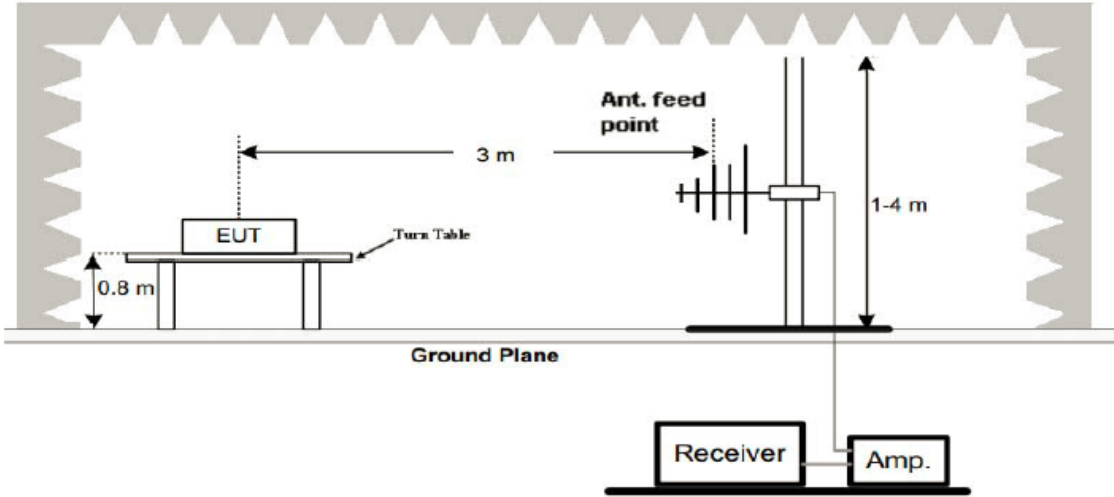


\* Att 30 dB                      \* RBW 100 kHz  
 \* VBW 300 kHz  
 Batt Ref 127.00 dB $\mu$ V       \* SWT 100ms



## 4. OCCUPIED BANDWIDTH MEASUREMENT

### 4.1 Block diagram of test setup



### 4.2 Limits

According to 47 CFR 15.231(c) The bandwidth of the emission shall be no wider than 0.25% of the centre frequency for devices operating above 70MHz and below 900MHz. Bandwidth is determined at the points 20dB down from the modulated carrier.

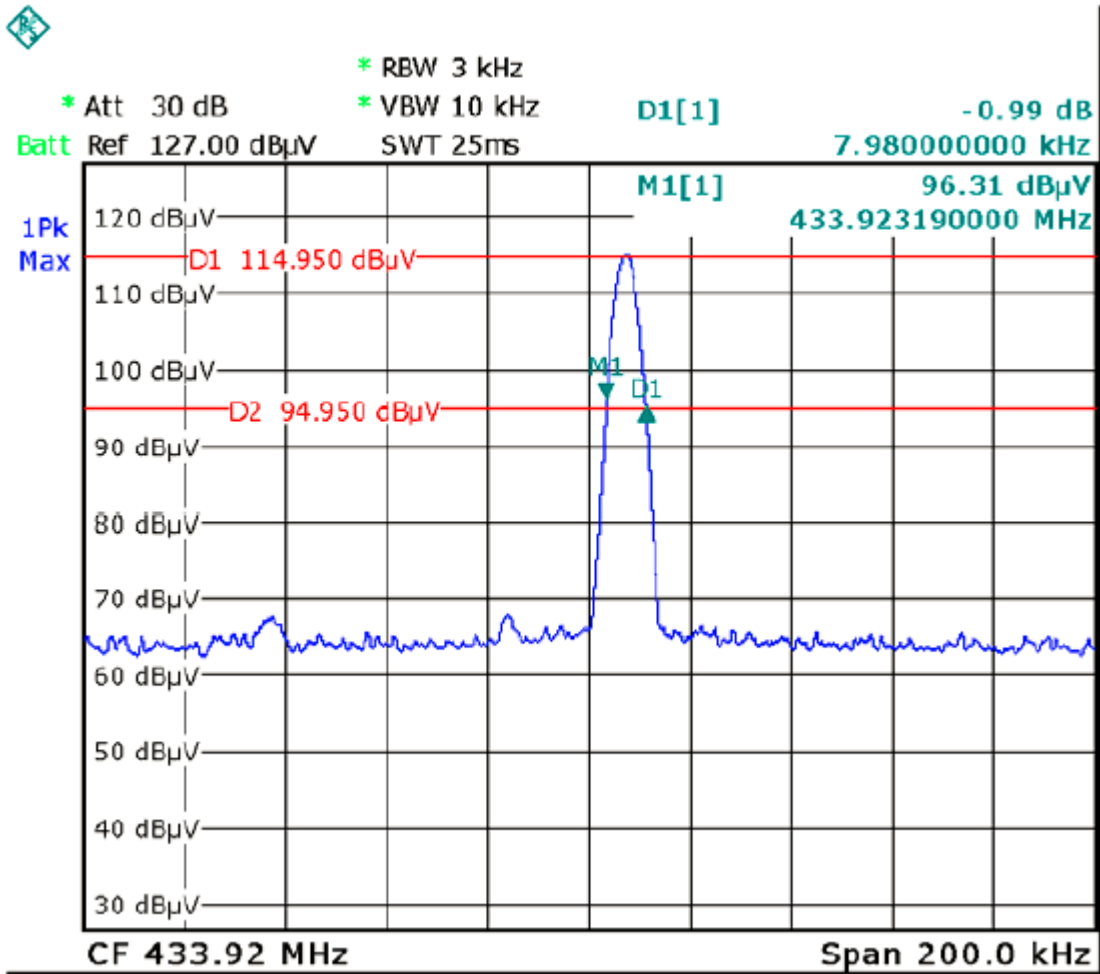
### 4.3 Test procedure

- a. The 20dB bandwidth and 99% bandwidth is measured with a spectrum analyzer connected via a receive antenna placed near the EUT while the EUT is operating in transmission mode
- b. The 20dB bandwidth is defined as the total spectrum the power of which is higher than peak power minus 20dB.

### 4.4 Test Result

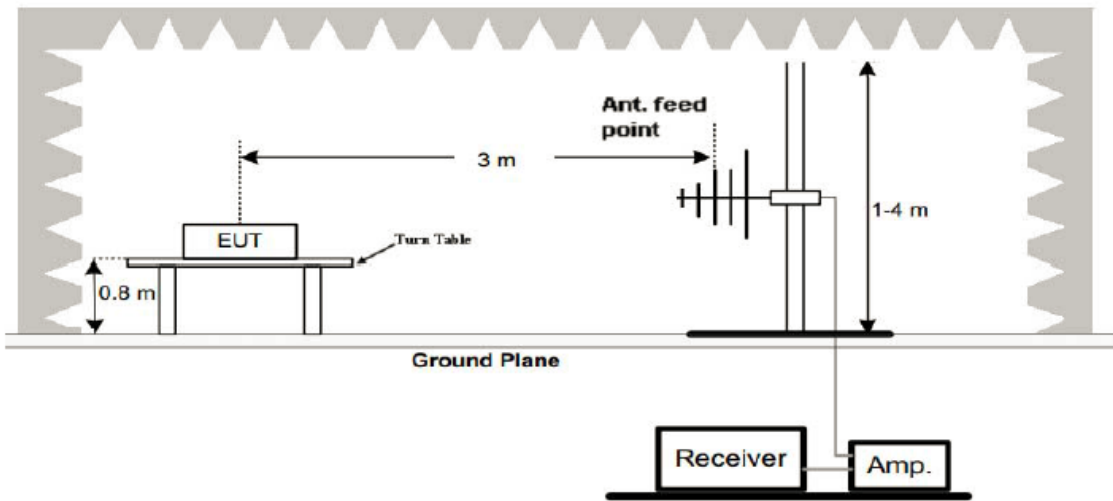
Channel Frequency(MHz)	Modulation	20dB bandwidth (KHz)	Limit (KHz)	Result
433.92MHz	ASK	7.98	$433.92 \times 0.25\% = 1084.8$	Pass

The spectrum analyzer plots are attached as below.



## 5. DEACTIVATION TIME

### 5.1 Block diagram of test setup



### 5.2 Limits

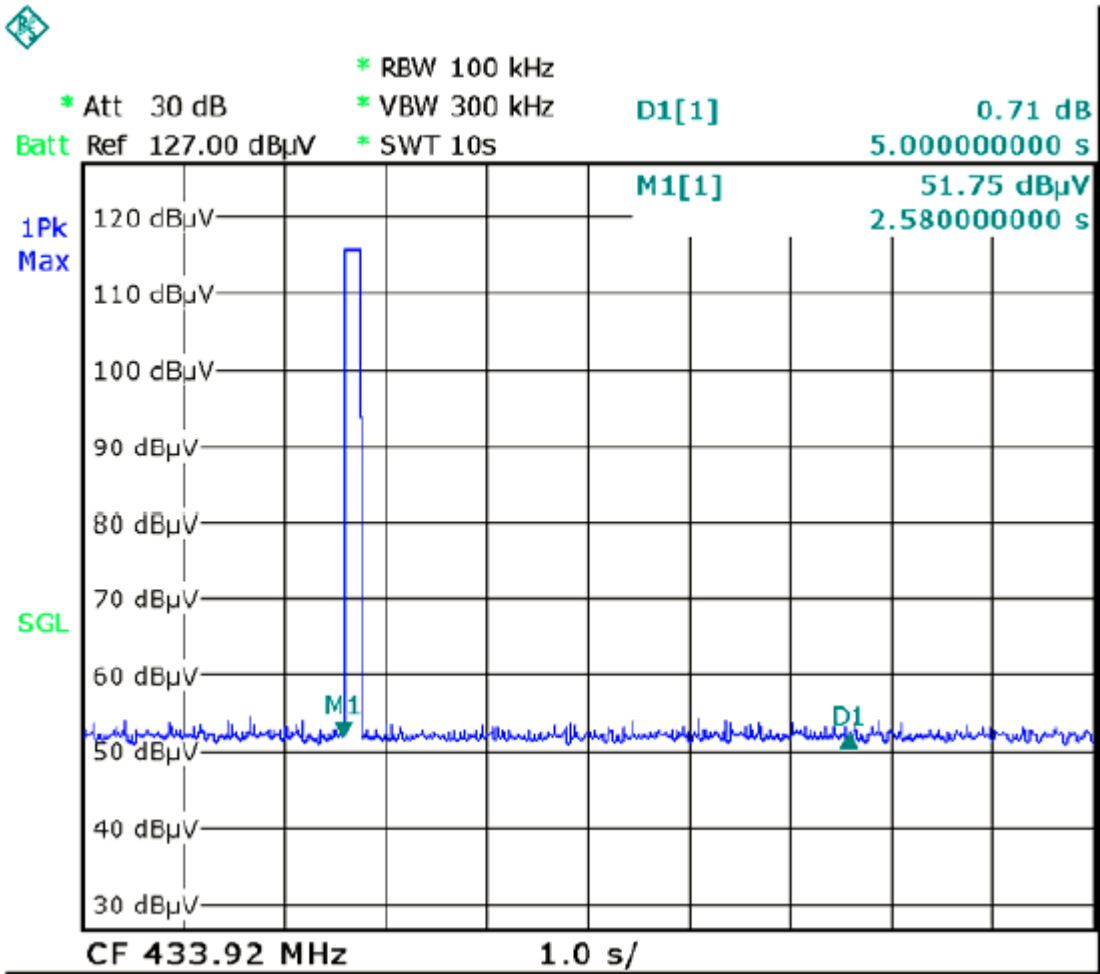
According to FCC §15.231(a)(1), A manually operated transmitter shall employ a switch that will automatically deactivate the transmitter within not more than 5 seconds of being released

### 5.3 Test procedure

- The EUT was placed on a wooded table which is 0.8m height and close to receiver antenna of spectrum analyzer
- The spectrum analyzer resolution bandwidth was set to 1 MHz and video bandwidth was set to 1 MHz to encompass all significant spectral components during the test. The spectrum analyzer was operated in linear scale and zero span mode after tuning to the transmitter carrier frequency.

### 5.4 Test Result

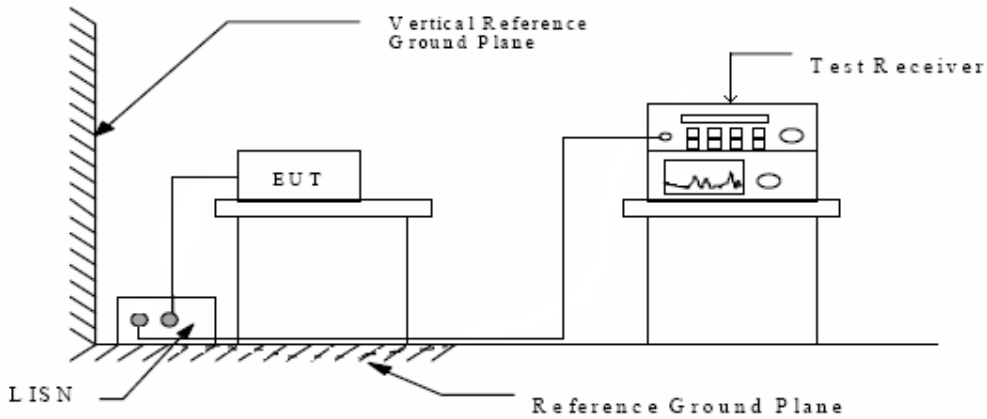
Pass





## 6. AC POWER LINE CONDUCTED EMISSION

### 6.1 Block diagram of test setup



### 6.2 Limits

Conducted Emission Measurement Limits According to Section 15.207(a)

Frequency MHz	Limits (dB $\mu$ V)	
	Quasi-peak Level	Average Level
0.15 ~ 0.50	66 ~ 56*	56 ~ 46*
0.50 ~ 5.00	56	46
5.00 ~ 30.00	60	50

\* Decreases with the logarithm of the frequency.

### 6.3 Test procedure

The EUT is put on the plane 0.8m high above the ground by insulating support and is connected to the power mains through a line impedance stabilization network (L.I.S.N.). This provides a 50ohm coupling impedance for the EUT system. Please refer the block diagram of the test setup and photographs. Both sides of AC lines are checked to find out the maximum conducted emission. In order to find the maximum emission levels, the relative positions of equipment and all of the interface cables shall be changed according to ANSI C63.4: 2003 on Conducted Emission Measurement.

The bandwidth of test receiver (R & S ESPI) is set at 9kHz.

The frequency range from 150kHz to 30MHz is checked.

### 6.4 Test Result

N/A

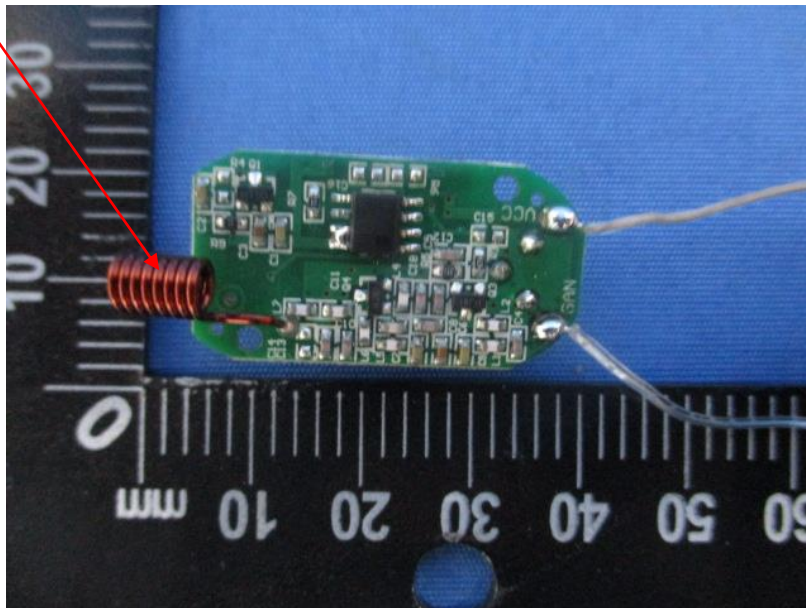
No measurement is required as the EUT is a battery operated product.

## 7. ANTENNA REQUIREMENT

According to Section 15.203, an intentional radiator shall be designed to ensure that no antenna other than that furnished by the responsible party shall be used with the device.

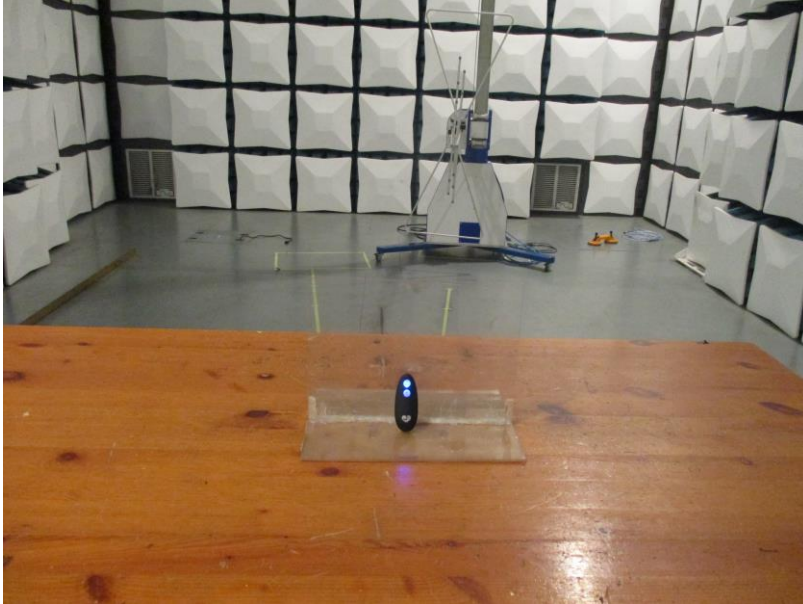
Antenna is fixed by enclosure, can not be changed except take apart the product.

Antenna



## 8. POTOGRAPH OF TEST

### 8.1 Radiated Emission



**NOTE:**

If there is question or concern regarding the above results, please contact the appropriate lab person below:

**General question & concern:** Kurt Wong  
Customer Service Coordinator  
(852) 3604 1317  
kurtwong@mts-global.com

**Technical question & concern:** CHEN Chu Peng, Kait  
EMC Manager  
(86) 769 8112 0818 Ext. 705  
Kchen@mts-china.com

*This test report is governed by the Terms and Conditions, available on request or accessible at <http://www.mts-global.com/en/terms.html>. Attention is especially drawn to the limitations of liability, indemnification and jurisdictional provisions defined therein. This report is issued strictly based on the testing of the samples submitted by you. The test results in this report only refers to the sample(s) actually tested and does not refer or be deemed to refer to the bulk from which such sample(s) may be said to have been obtained from. In the event that MTS was requested to survey and test any bulk quantity of samples, MTS, in the absence of any contrary written instructions, performed random sampling of bulk for testing purposes. This report is not a recommendation for any specific course of action. Other than the expressed warranties made in the Terms and Conditions of the MTS Test Request Form, MTS makes no other warranties or representations either express or implied with respect to this report. In no circumstances whatsoever shall MTS be liable for any consequential, special or incidental damages arising out of or in connection with this report. This test report shall not be reproduced without the prior written permission of MTS.*