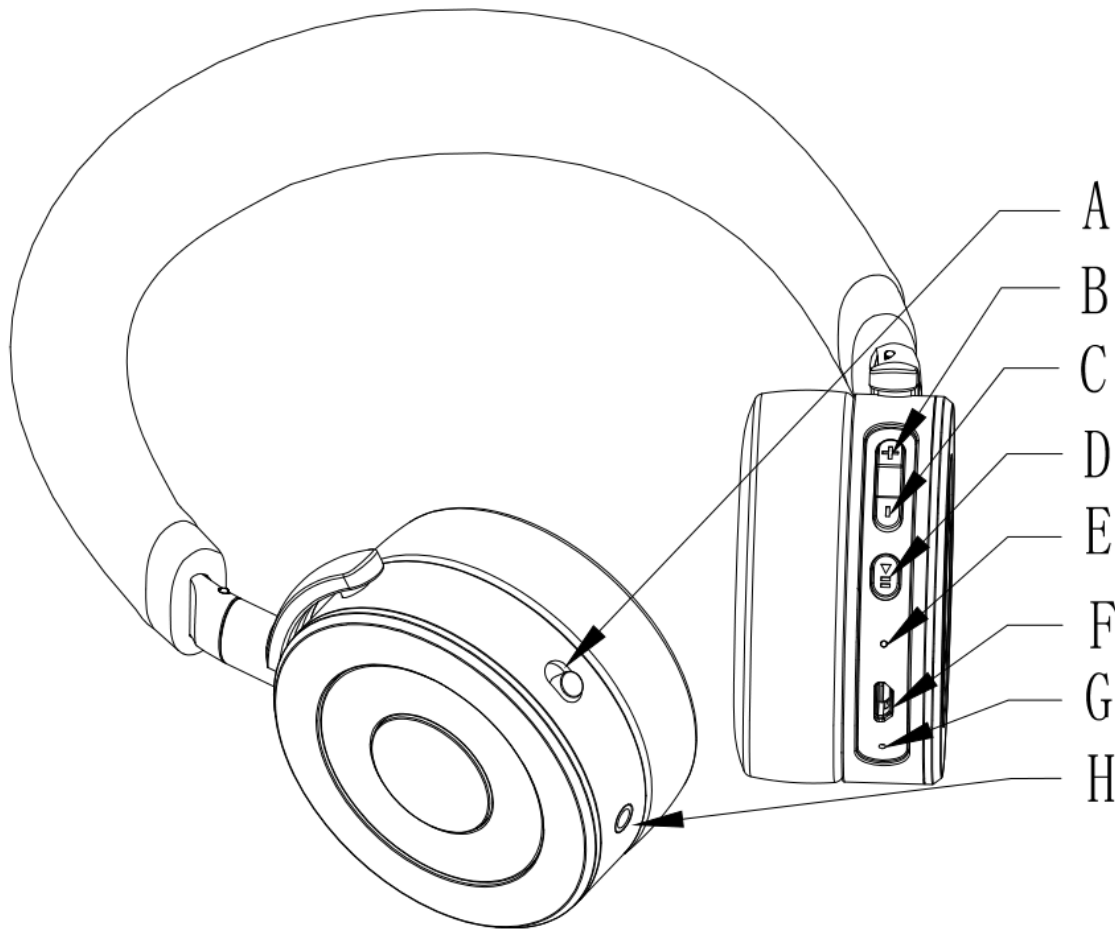


JuniorJams Kids Headphones User Manual

Volume-Limited Wireless Kids Headphones



A	B	C	D	E	F	G	H
Power On/Off	Volume Up	Volume Down	Multifunction Button (MFB)	Bluetooth LED	Charging Interface	MIC	AUX Interface

All product and product specifications are subject to change without notice to improve reliability, function, design or otherwise.

Congratulations on your purchase of a pair of Puro Sound Labs JuniorJams Kids Headphones! Hearing health is a lifelong endeavor and we're dedicated to building products that promote Healthy Ears, while delivering incredible sound and value. Thank you for your purchase!

Please read our usual manual to get the most out of your headphones. If you ever have a problem, please contact us at support@purosound.com. From our family to yours, enjoy!

Manufacturer name: Sky Wing Communication Electronics Co.,LTD

Manufacturer address: NO.10 Road 63#, Longyan, Humen Town, Dongguan City, Guangdong, China.

Pairing and Use

1. Charge the headphones until the blue light remains on (indicating full charge). Charging cable is a micro-USB to USB cable found in the headphone packaging.
2. Turn the headphones on by sliding the power button from “off” to “on.” Headphones will automatically enter “discoverable” mode, indicated by blue and red alternating flashes.
3. Bring the headphones within 1 meter (3 ft.) of the source device and follow the source device instructions for pairing a Bluetooth device. You will hear a voice prompt indicating that the headphones are paired.
 - a. For Apple source devices – Go into “settings” -> Bluetooth. Make sure Bluetooth functionality is on. JuniorJams will show up as a discovered device, select JuniorJams.

JuniorJams Functionality

- **Power On:** Slide power button from “OFF” to “ON.”
- **Automatic power off:** Power will automatically shutoff if there is no connection for 10 minutes or if battery is below 5%.
- **Charging:** Plug in charging cable, LED will show red when charging and blue when fully charged.
- **Play/Pause :** When music is playing, press “MFB” once to pause/play.
- **Next Song :** When music is playing, press “MFB” twice to skip to next song.
- **Previous Song :** When music is playing, press “MFB” three times to skip to previous song.
- **Volume up :** When playing music, press “+”for volume up.
- **Volume Down :** When playing music, press “-”for volume down

- **MIC Mute** : When calling, double press “-”for Mic mute, double press again to cancel
- **Answer a call/hang up** : For incoming call, click “MFB” to answer a call, and to hangup.
- **Reject Call**: Hold “MFB” to reject call and send to voicemail.
- **Limiter Cable**: The 3.5mm Limiter Cable can be used to connect JuniorJams to device either when headphones are charged or not charged. Make sure to check that Limiter Cable is used in proper direction.
- **Daisy-chain**: Daisy-chain cord can be used to connect two JuniorJams headphones together.
 - Pair headphone A with device via Bluetooth or Limiter Cable.
 - Connect headphone B to headphone A using the daisy-chain cord.

LED Status Indicator:

- 1.Power ON: Blue LED flashes twice
- 2.Power OFF: Red LED flashes twice
3. Pairing mode: Alternating Blue and Red LED flashes
4. Connected status: Blue LED flashes once every 10 seconds
5. Unconnected standby status: Blue LED flashes twice every 5 seconds
9. Charging status: Red LED steady
10. Full charged: Blue LED steady
11. Low Power: Red LED flashes

Accessories:

JuniorJams Headphones	1PC
3.5mm Limiter Cable	1PC
Daisy Chain	1Pcs
Charging cable	1PC
User manual	1PC
Traveling Case	1PC

Specifications:

Bluetooth Version: V4.2+EDR	Dimension: 197*155*65.9 mm
Bluetooth Profile : HSPv1.2 HFPv1.6	Frequency : 2.402GHz-2.480GHz

A2DP v1.3 AVRCP v1.5	
Built-in lithium battery voltage: 3.7V	Battery capacity : 400mAh
Driver Dimension: Φ 40mm	Headset power : 20mW*2 THD \leq 10%
Weight: 220g	SNR: \geq 90dB
Charging voltage: 5V DC 100-240V AC adapter	Charging Time : 2H
Charging current: \geq 200MA	Standby Time : 300H
Talking Time : 22H	Music Time : 22H
Support dual connection : Support connecting with two mobile	Work Temperature : -10—55°C
Frequency bands	2402MHz-2480MHz
Maximum output power	EIRP : 5.46dBm

Battery Information:

Your device is powered by a rechargeable battery. The full performance of a new battery is achieved only after two of three complete charge and discharge cycles. The battery can be charged and discharged hundreds of times, but it will eventually wear out. Do not leave a fully charged battery connected to a charger since overcharging may shorten battery lifetime. Leaving the device in hot or cold places, such as in closed car in summer or winter conditions, will reduce the capacity and lifetime of the battery. Battery performance is particularly limited in temperatures well below freezing. Battery should be charged once per month to extend the life of the battery. Do not dispose of batteries in a fire as they may explode.

Care and Maintenance:

- Do not hit or beat the product.
- Do not forcibly rotating the earpiece as internal circuitry can be damaged.
- Keep the product away from water and high temperature; do not use this product in extreme weather.
- Do no put the product into fire.
- Do not block the mesh of the speaker.

Warranty:

Puro Sound labs LLC warrants the original owner of this product against manufacturing and material defect under normal use for a period of one year from the date of retail purchase from Puro Sound Labs or a Puro Sound Labs authorized reseller. The warranty does not cover damages resulting from misuse, abuse, water damage, normal wear and tear, or modification.

For warranty claims, please visit www.purosound.com/support or email us at support@purosound.com.

Puro Sound Labs, at its sole discretion will repair or replace the product, or refund the original owner the purchase price.

FCC Statement:

This product has been tested and complies with the specifications for a Class B digital device, pursuant to Part 15 of the FCC Rules. These limits are designed to provide reasonable protection against harmful interference in a residential installation. This equipment generates, uses, and can radiate radio frequency energy and, if not installed and used according to the instructions, may cause harmful interference to radio communications. However, there is no guarantee that interference will not occur in a particular installation. This device may not cause harmful interference and this device must accept any interference received, including interference that may cause undesired operation.

If this equipment does cause harmful interference to radio or television reception, which is found by turning the equipment off and on, the user is encouraged to try to correct the interference by one or more of the following measures:

- Reorient or relocate the receiving antenna
- Increase the separation between the equipment or devices
- Connect the equipment to an outlet other than the receiver's
- Consult a dealer or an experienced radio/TV technician for assistance

FCC RF RADIATION EXPOSURE STATEMENT

The device has been evaluated to meet general RF exposure requirement. The device can be used in portable exposure condition without restriction.

This device complies with Industry Canada license-exempt RSS standard(s). Operation is subject to the following two conditions: (1) this device may not cause interference, and (2) this device must accept any interference, including interference that may cause undesired operation of the device.

CAUTION

Danger of explosion if battery is incorrectly replaced.

Replace only with the same or equivalent type.

the battery shall not be exposed to excessive heat such as sunshine, fire or the like

changes or modifications not expressly approved by the party responsible for compliance could void the user' s authority to operate the equipment.

IC Statement

This device complies with Industry Canada license-exempt RSS standard(s). Operation is subject to the following two conditions: (1) this device may not cause interference, and (2) this device must accept any interference, including interference that may cause undesired operation of the device. *Le présent appareil est conforme aux CNR d'Industrie Canada applicables aux appareils radio exempts de licence. L'exploitation est autorisée aux deux conditions suivantes : (1) l'appareil ne doit pas produire de brouillage, et (2) l'utilisateur de l'appareil doit accepter tout brouillage radioélectrique subi, même si le brouillage est susceptible d'en compromettre le fonctionnement.*

IC: 23211-JUNIORJAMS

FCC ID: 2ADSG-JUNIORJAMS

S A F E T Y I N F O R M A T I O N

Warning! Continued exposure to loud noise (more than 85 decibels) (85 dBA) may cause gradual but permanent damage to hearing.

Always turn the level of your Puro product down to a low level before placing the headphones on your (or your child's) head. Gradually turn up the volume until you achieve a comfortable level. Never listen at high volumes for long periods. Always verify maximum achievable volume levels before the headphones are given to a child for use.

The JuniorJames model features a volume governor that limits output for hearing safety. The rating uses an A-weighted scale with several genre of popular music to achieve a max of approximately 85 dBA. The levels have been tested on popular portable iOS and Android phones and tablets while streaming via the wireless Bluetooth connection. Further, the in-line cable allowing use when the battery is depleted has been designed to limit to the same approximately 85 dBA value on most portable iOS and Android phones and tablets. When using the wired connection, a home stereo or other high-powered source may exceed 85 dB. Because we cannot test every device in the market, please verify that the maximum level that can be achieved with your source device is within the "comfortable" guideline. Do not use the headphones with products that can achieve levels above the "comfortable" guideline.

Do not use the headphones while operating a motor vehicle. (Our kids headphones fit many adults.) Do not use the headphones any time it would be dangerous to not be aware of noises around you.

If using while on an airplane, please follow the instructions of the crew for permitted use of a Bluetooth product.

Do not use or store the headphones in a wet environment. If the headphones are submerged or become wet, do not use.