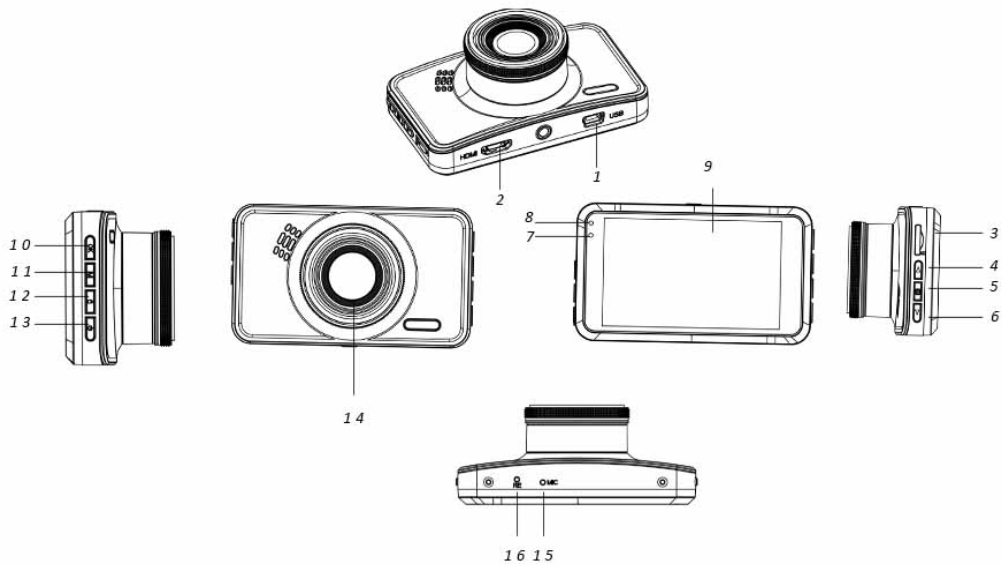


## User Manual



- |                     |                      |                 |
|---------------------|----------------------|-----------------|
| 1. Mini USB         | 2. HDMI              | 3. SD card slot |
| 4. Up               | 5. Menu              | 6. Down         |
| 7. Charge Indicator | 8. Working Indicator | 9. Screen       |
| 10. OK              | 11. Mode             | 12. Lock        |
| 13. Power           | 14. Lens             | 15. Reset       |
| 16. Mic             |                      |                 |

## Operation Instruction

### 1. Charging

Connect the camera to car charger via USB port

### 2. Turn on/off camera

If the camera is connected to the car charger , it will automatically turn on with the car.

If not connect in car, pls do as follows:

Long press Power button, camera will turn on  
Long press Power button again, camera will turn off.

### 3. Video recording

For first time using, may need format SD card, please find the format menu if it not recording normally.

After format SD card, short press OK button to start video recording. Short press OK button again to stop video recording

### 4. Photo taking

Switch to photo mode by Mode button, then short press OK button to take a photo.

### 5. Playback

Switch to Playback mode by Mode button, then you can playback the video and photo recorded.

### 6. Menu setup

In video mode, short press Menu button will get into video menu page, short press Menu button again will get into the next menu page.

In photo mode, short press Menu button will get into photo menu page, short press Menu button again will get into the next menu page.

### 7. WIFI APP

the WIFI App lets you control your camera remotely using a smart phone or tablet

Download the App DriverLook from the Google play or Apple APP store

Turn on the WIFI in menu of camera

In your smart phone or tablet's Wi-Fi setting, connect to the network SSID "CDR-\*\*\*\*"

Enter the password "12345678"

Open the DriverLook on your smart phone or tablet and control your camera

### 7. Feature function

- (1) .G-Sensor
- (2) .Parking mode
- (3) . Lock video file

### 8. Specifications

Screen size	3.0 Inch
Option language	English, Chinese, Japanese, Korean, Russian
Video resolution	4K/30F, 2.7K/30F, 1920*1080P/60FPS, 1920*1080P/30FPS, 720P/30FPS
Photo size	12M, 8M, 5M, 2M,
Format	MP4, JPG
Viewing angle	170°
Storage	Micro SD card up to 64GB
Power	12V Car charger

**FCC Caution:**

This device complies with part 15 of the FCC Rules. Operation is subject to the following two conditions: (1) This device may not cause harmful interference, and (2) this device must accept any interference received, including interference that may cause undesired operation.

Any Changes or modifications not expressly approved by the party responsible for compliance could void the user's authority to operate the equipment.

**Note:** This equipment has been tested and found to comply with the limits for a Class B digital device, pursuant to part 15 of the FCC Rules. These limits are designed to provide reasonable protection against harmful interference in a residential installation. This equipment generates uses and can radiate radio frequency energy and, if not installed and used in accordance with the instructions, may cause harmful interference to radio communications. However, there is no guarantee that interference will not occur in a particular installation. If this equipment does cause harmful interference to radio or television reception, which can be determined by turning the equipment off and on, the user is encouraged to try to correct the interference by one or more of the following measures:

- Reorient or relocate the receiving antenna.
- Increase the separation between the equipment and receiver.
- Connect the equipment into an outlet on a circuit different from that to which the receiver is connected.
- Consult the dealer or an experienced radio/TV technician for help.

This equipment complies with FCC radiation exposure limits set forth for an uncontrolled environment. This equipment should be installed and operated with minimum distance 20cm between the radiator & your body.