

承 认 书

SPECIFICATION FOR APPROVAL

客 户 名 称

CUSTOMER NAME: 恒茂

产 品 名 称

PRODUCT NAME: 2.4GHz 3dBi Black Antenna L=110mm

客 户 料 号

CUSTOMER P/N:

仁 丰 料 号

Ren Feng P/N: RF11C00057AREV: A

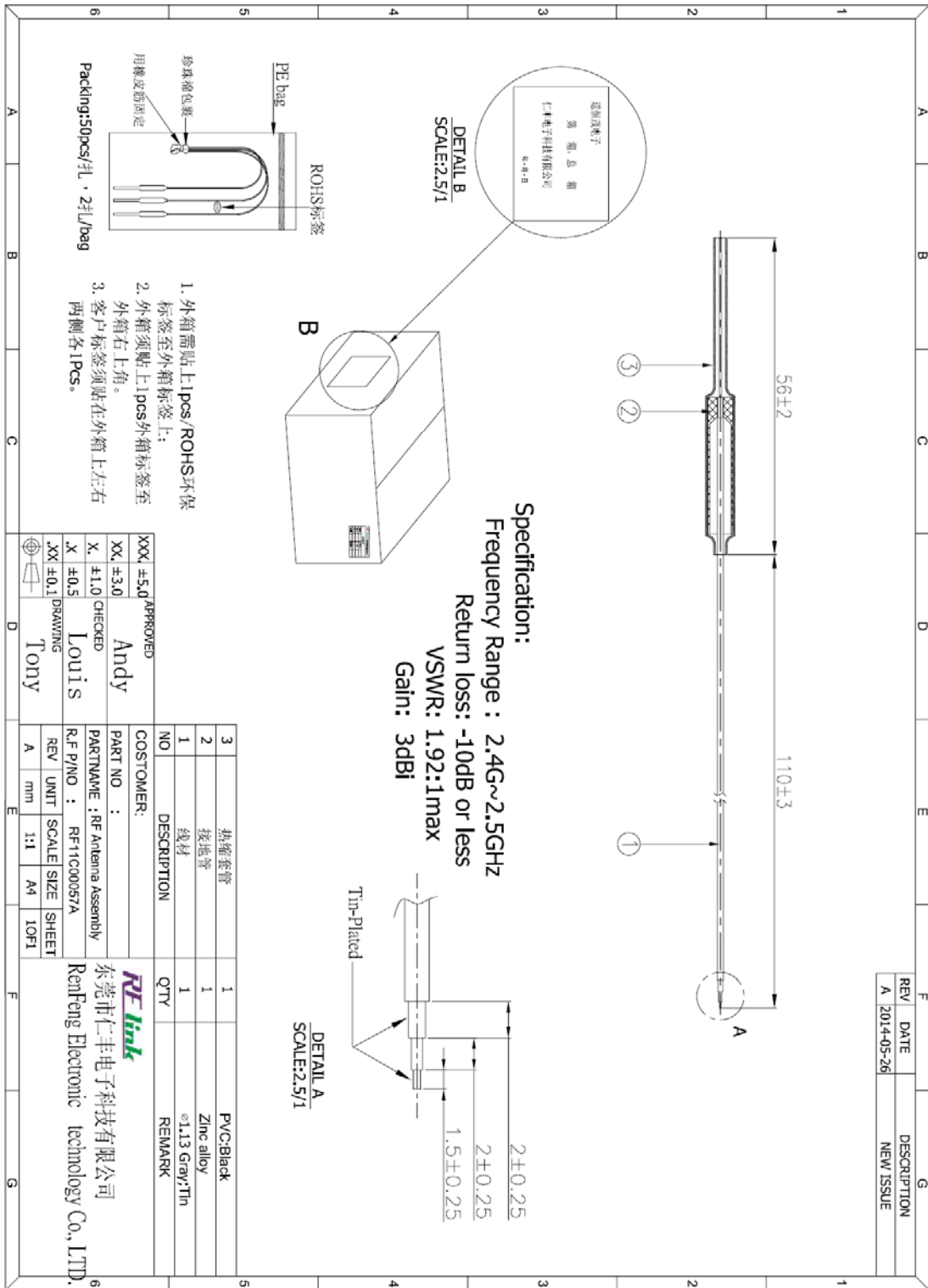
	MANUFACTURER SIGNATURE	CUSTOMER SIGNATURE
CHECKED BY:		
AUDITOR BY:		
APPROVED BY:		
DATE:		

一、规格表 Specification table:

产品主要技术参数 Product main technical parameters

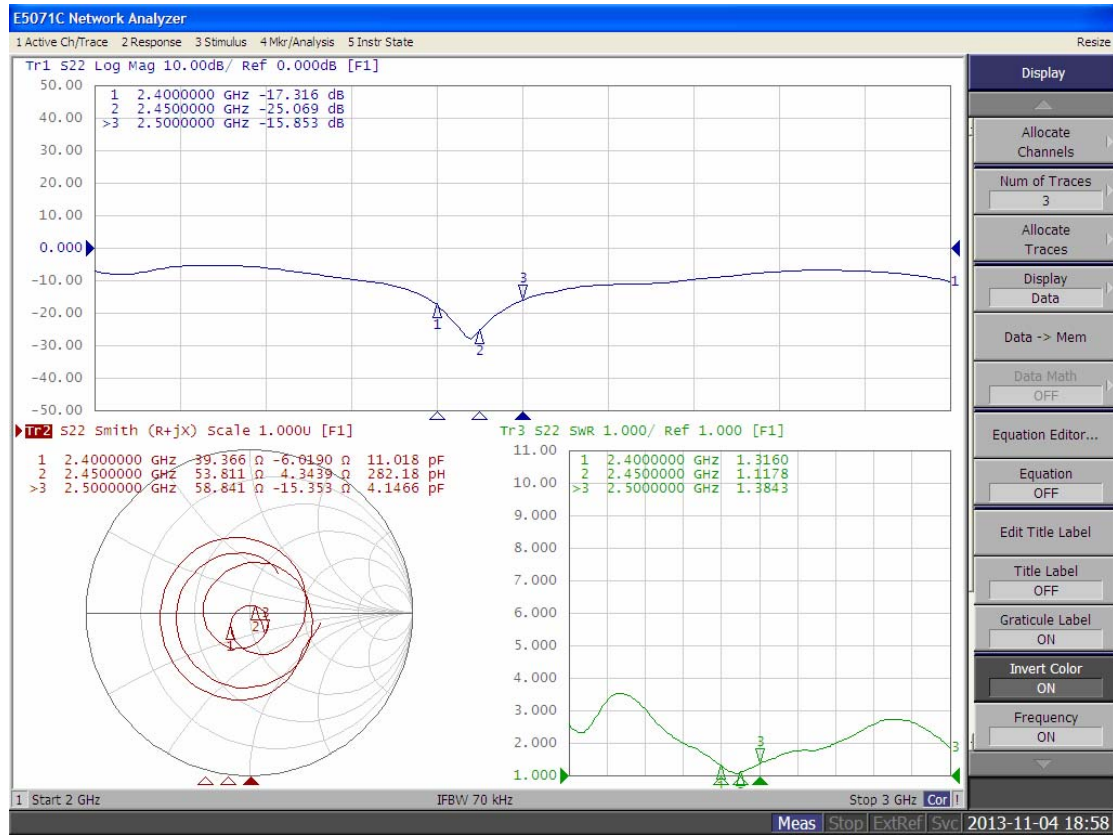
主要技术指标		Main technical specifications	
Frequency range (MHZ)	2400-2500	Frequency Range (MHZ)	2400-2500
characteristic impedance (Ω)	50	Impedance(Ω)	50
Gain (dBi)	3 \pm 0.5	Peak Gain(dBi)	3 \pm 0.5
The output voltage Standing wave ratio	≤ 1.92	VSWR	≤ 1.92
maximum power	10W	Admitted Power	10W
polarization mode	vertical polarization	Polarization	Linear, Vertical
directivity	all-aspect	Radiation	Omni-directional
attended mode	Cable	Connector Type	Cable
物理性能		Physical Properties	
material	PVC	Antenna cover	PVC
operating temperature	-20 $^{\circ}$ C~+70 $^{\circ}$ C	Operating Temp	-20 $^{\circ}$ C~+70 $^{\circ}$ C
storage temperature	-20 $^{\circ}$ C~+70 $^{\circ}$ C	Storage Temp	-20 $^{\circ}$ C~+70 $^{\circ}$ C

一、成品图 end-product drawing:

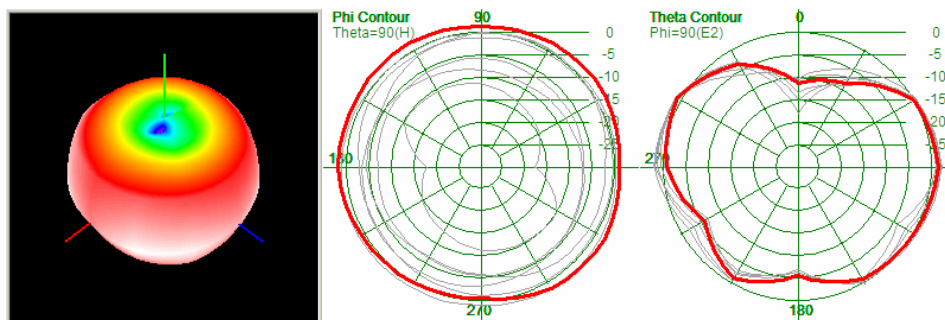


三、test report

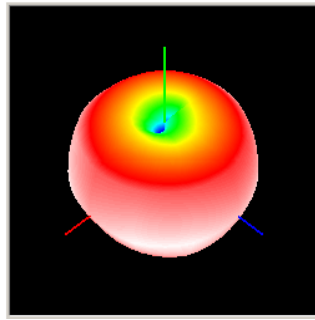
3.1: Network analyzer test report



3.2: 2D、3DRaditation Pattern



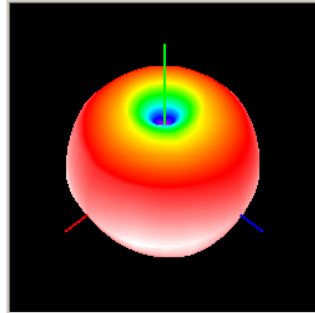
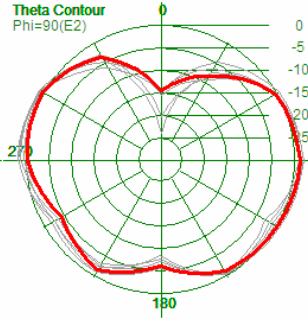
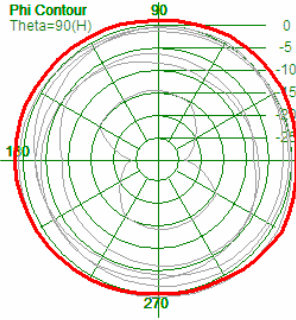
2.4GHz Gain(Peak):3.23dBi Efficiency:76.0%



2.45GHz

Gain(Peak):3.18dBi

Efficiency:79.4%



2.5GHz

Gain(Peak):3.12dBi

Efficiency:81.9%

