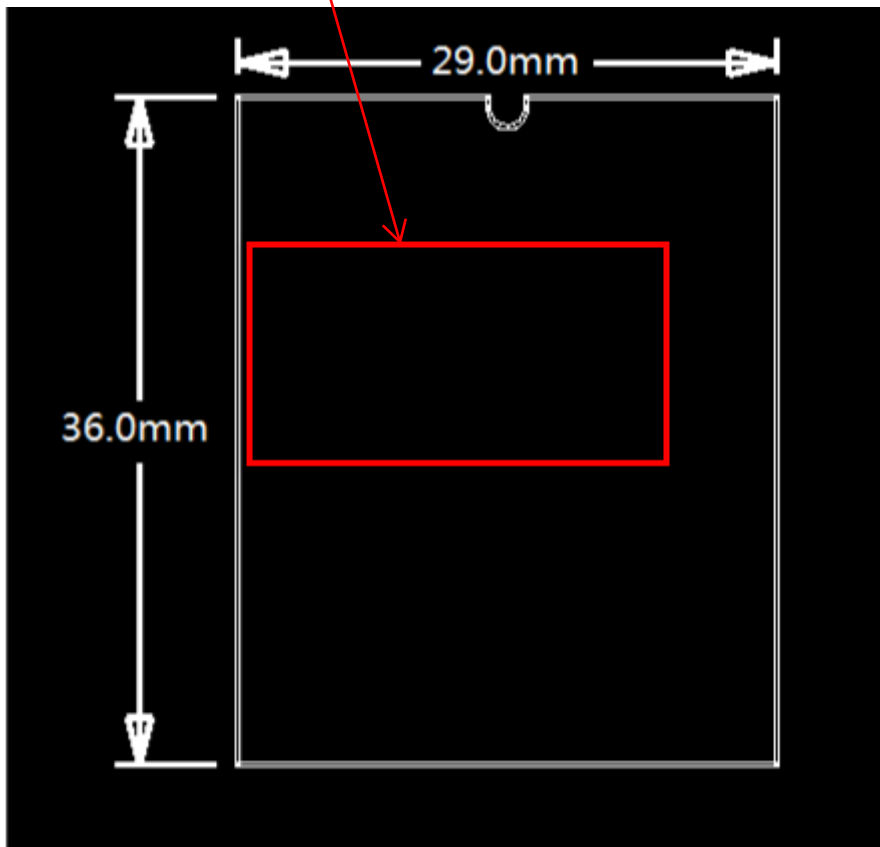


Lab



Location