

SMARTdisplayer

A PC-like Smart Card

No. 2-1, Gongjian Rd., Qidu Dist, Keelung City, Taiwan

Model: SD010,G1 Brand: SmartDisplayer

Specifications

Information on the equipment

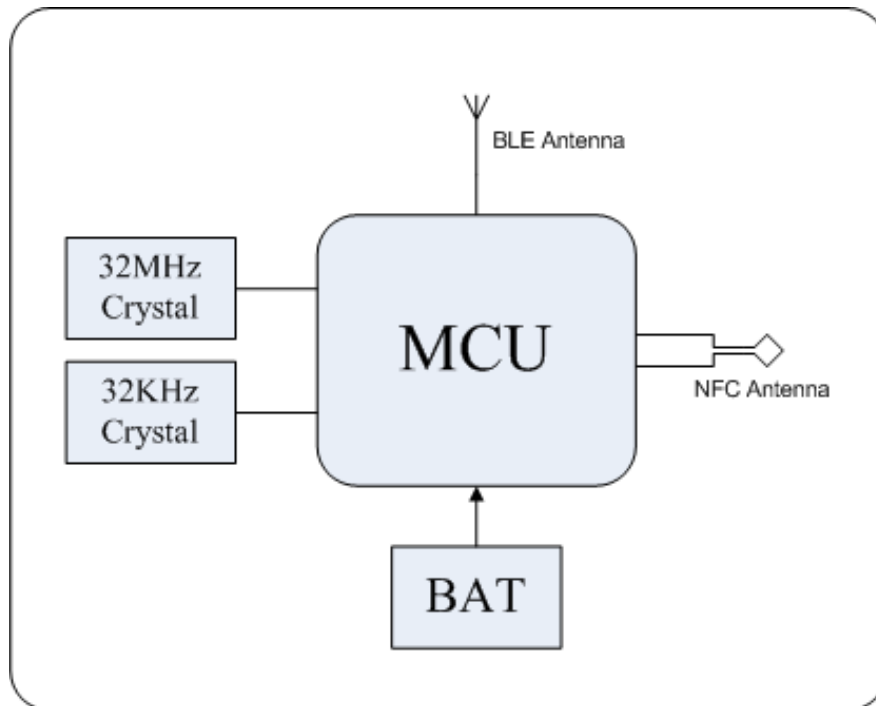
設備名稱 Device name	PCB Antenna
廠牌 Brand	SmartDisplayer
型號 Model No.	SmartDisplayer
製造商 Manufacturer	SmartDisplayer
載波頻率 Carrier frequency	NFC-A :13.56MHZ BLE :2.4GHZ
天線增益 Gain	NFC-A : 0 dBi BLE : 2.09 dBi
工作電壓 Operation voltage	3.3Vdc

SMARTdisplayer

A PC-like Smart Card

No. 2-1, Gongjian Rd., Qidu Dist, Keelung City, Taiwan

BLOCK DIAGRAM

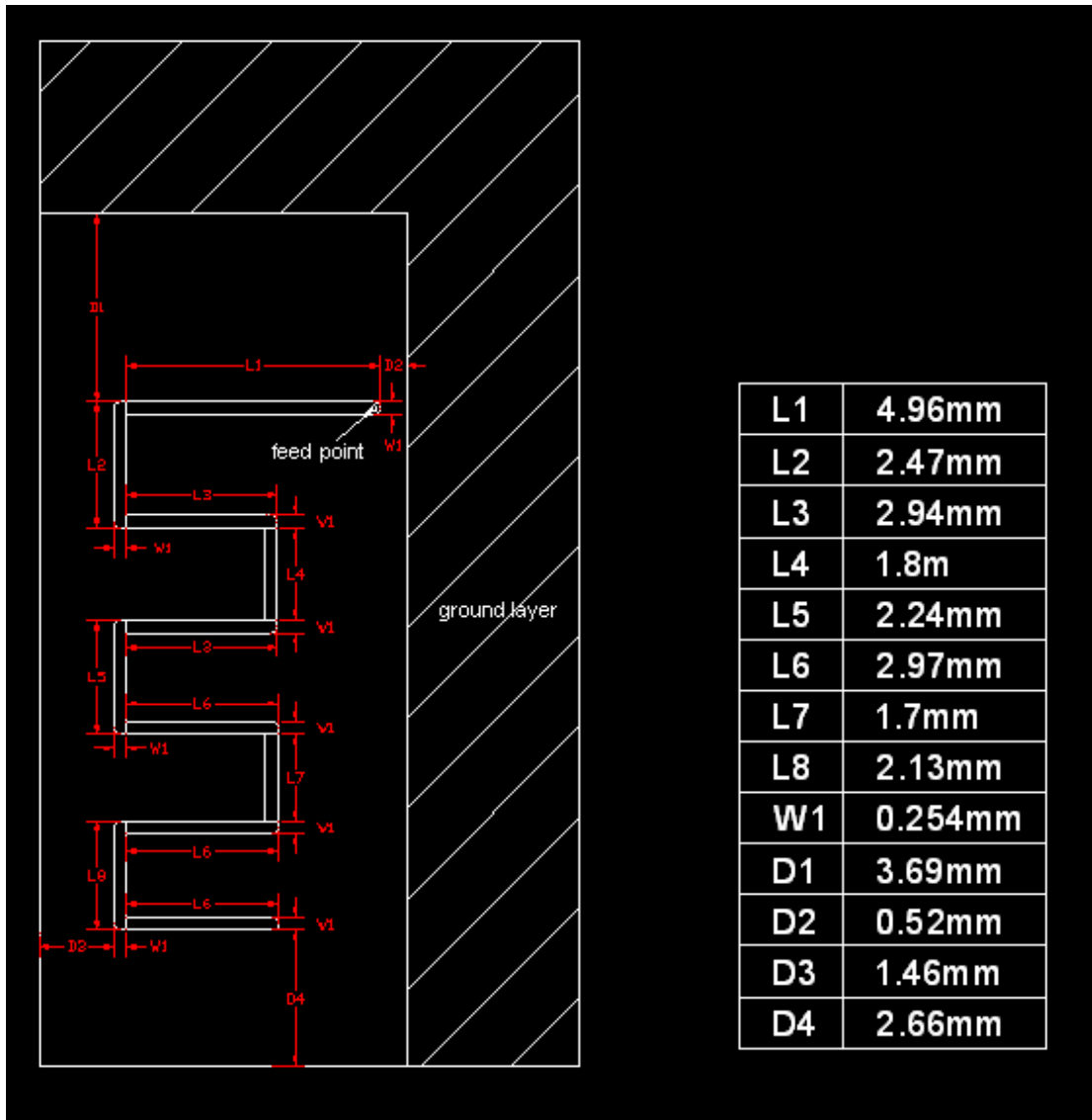
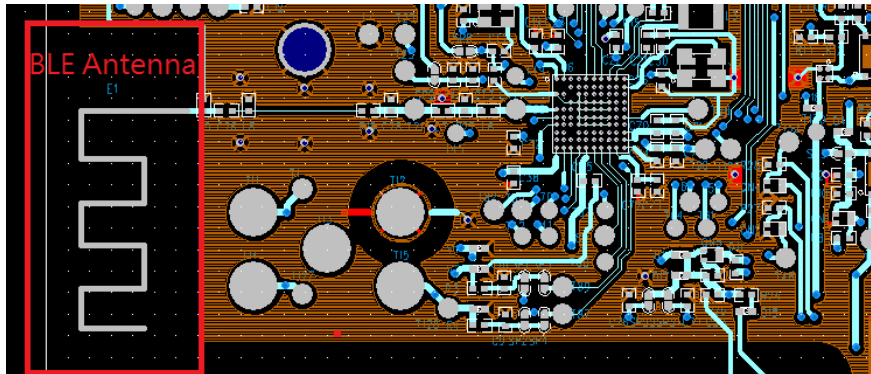


SMARTdisplayer

A PC-like Smart Card

No. 2-1, Gongjian Rd., Qidu Dist, Keelung City, Taiwan

BLE Antenna

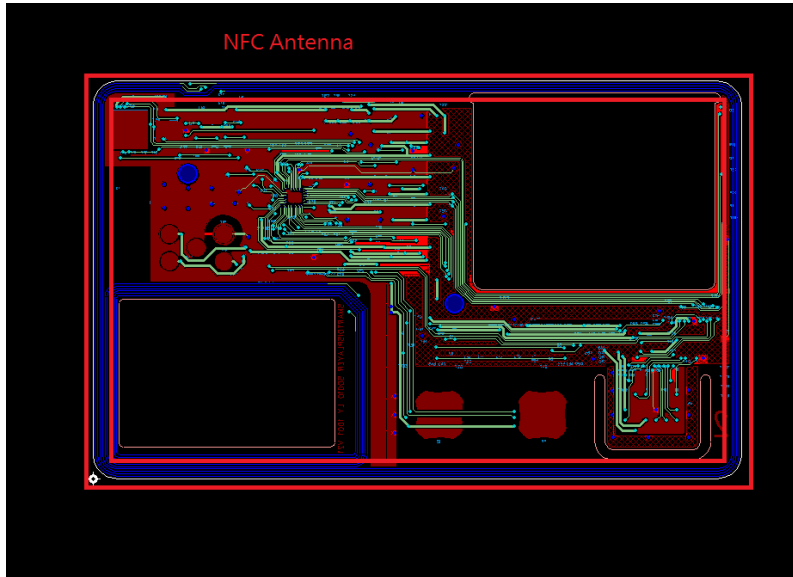


SMARTdisplayer

A PC-like Smart Card

No. 2-1, Gongjian Rd., Qidu Dist, Keelung City, Taiwan

NFC Antenna



6.2.3 Measured radiation pattern

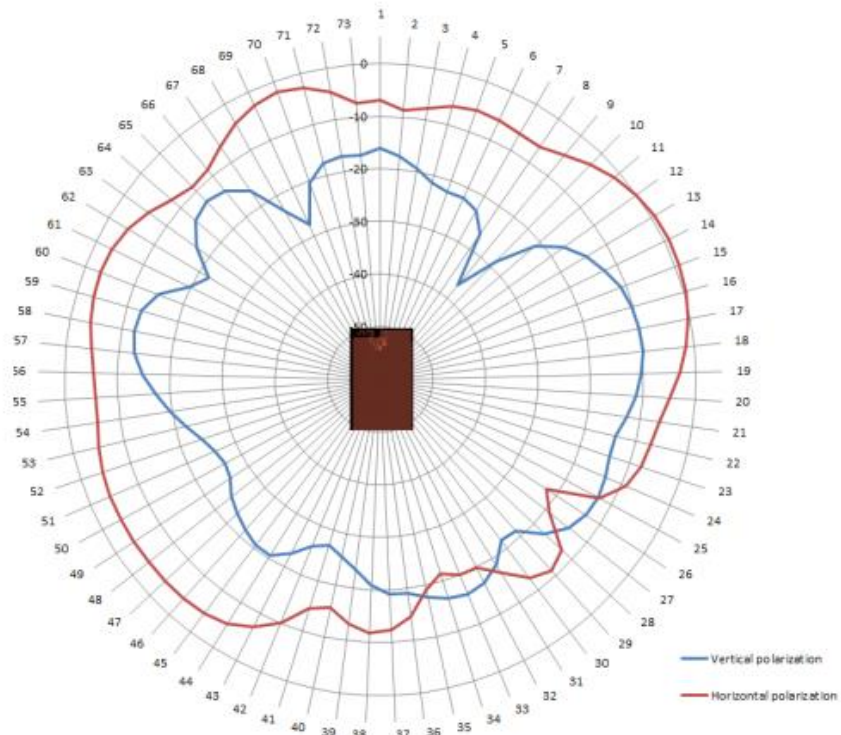


Figure 21: Radiation pattern, PCB horizontal, single layer IFA

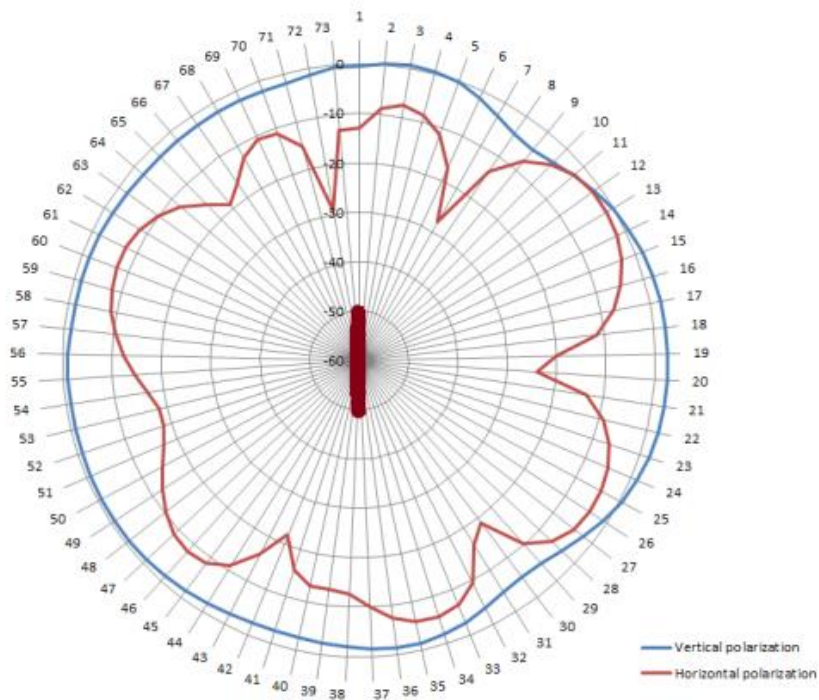


Figure 22: Radiation pattern, PCB vertical, single layer IFA