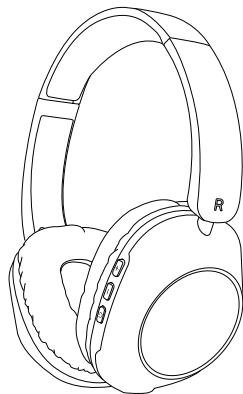


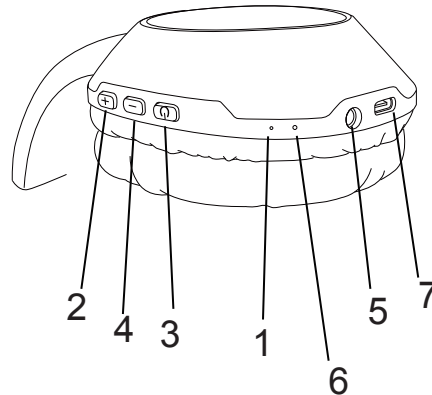
Bluetooth Headphones- Manual (BT9947-A)

Product Specification :

Bluetooth Version : V5.4
Bluetooth Range : 10meters
Headphone Battery : 200mAh
Standby Time : up to 200 hours
Working Time : up to 10 hours
Charging Time : Approx 2 hours
Input Voltage : 5V
Microphone : Build-in
Recargable : Type-C cable
Speaker Unit : 40mm
Rated input power : 20mW
Max input power : 50mW
Impedance : 32ohm
Speaker Sensitivity : 117dB+/-3dB
Frequency Response : 20Hz - 20KHz



FUNCTION PICTURE



Description of all parts :

1. Build in Microphone
2. Volume up or Next song
3. Power on/off or Pause/Play or Calling/Answer
4. Volume down or Previous song
5. 3.5mm Aux Jack
6. LED light
7. USB-C charging port

Pairing Steps:

1. Press \cup for 3 seconds to put into pairing mode (the indicator light will alternate between red and blue).
2. Go to your Bluetooth settings on your device and find the Bluetooth pairing name "BSBTH301G". Pair your device, then it will be connected, when connected successfully, only blue light flash for 5 seconds.

Product Usage:

1. Power on : Press and hold the \cup for about 3 seconds, untill blue light flashes.
2. Power off : Press and hold \cup for about 3 seconds, the indicator light will turn off .
3. Answer a call : when a call is coming in , Answer the call by pressing \cup once.
4. Reject a call : Press and hold \cup for about 2 seconds.
5. Redialing the last number : Double click \cup button.
6. Volume "+" and next song : Press $+$ quickly for next song , press and hold $+$ for volume up
7. Volume "-" and previous song : Press $-$ quickly for previous song, press and hold $-$ for volume down.
8. Play / Pause music : when you listen to the music, you can play or pause the song by pressing \cup button.
10. Reconnected : when reopen the bluetooth mode , the headphone will reconnect to the nearest devices.
11. When insert the line in or USB-C cable , the headphone will power off rapidly , then switch to wired mode , and all bluetooth buttons are not workable.
12. Charging port with USB-C charging cable .The red light is on during charging, Blue light is on fully charged.

Made in China

FCC Statement

This device complies with part 15 of the FCC Rules. Operation is subject to the following two conditions:

- (1) This device may not cause harmful interference, and
- (2) this device must accept any interference received, including interference that may cause undesired operation.

This equipment has been tested and found to comply with the limits for a Class B digital device, pursuant to part 15 of the FCC Rules.

These limits are designed to provide reasonable protection against harmful interference in a residential installation.

This equipment generates, uses and can radiate radio frequency energy and, if not installed and used in accordance with the instructions, may cause harmful interference to radio communications. However, there is no guarantee that interference will not occur in a particular installation.

If this equipment does cause harmful interference to radio or television reception, which can be determined by turning the equipment off and on, the user is encouraged to try to correct the interference by one or more of the following measures: Reorient or relocate the receiving antenna.

. Increase the separation between the equipment and receiver.

. Connect the equipment into an outlet on a circuit different from that to which the receiver is connected.

. Consult the dealer or an experienced radio/TV technician for help. Caution

: Any changes or modifications to this device not explicitly approved by manufacturer could void your authority to operate this equipment. RF Exposure Information

The device was evaluated to meet general RF exposure requirements. This equipment should be installed and used with a minimum distance of 0 mm between the radiator and your body.