

User Manual

Model:T700
Brand: ISOUND
FCC ID:2ADORT700

Dear customer,

Thank you for purchasing the LED Light Bluetooth speaker T700. To ensure correct operation, please read this user manual carefully before operation.

Important Safety Instructions

- ◆ Please avoid the speaker dropping or hitting with a hard object, it may cause damage to the inside battery or other hardware damage.
- ◆ Keep speaker away from any source of heat.
- ◆ Adjust the volume to a suitable level so as to avoid damaging your hearing, or the unit itself.
- ◆ If you do not operate the speaker for a long time, please charge battery once a month, in order to prevent the lithium battery from being damaged.

Features

1. Five Multi-colored LED Themes

Full spectrum light themes matching with your music

2. Bluetooth Music and Mobile Hands-free Function

Bluetooth 4.0 stereo music playing, support mobile hands-free function.

3. Micro SD Card Music Playing

Support the entire MP3/WMA/WAV/APE/FLAC coding rate

4. Aux In

Work as the external speaker by connecting to the audio source of computer, mobile, PSP/MP3/MP4 etc.

Technical Data

Voltage: DC 3.7V

Impedance: 4 Ω

Output: 4W*2

Aux in Jack: 3.5mm

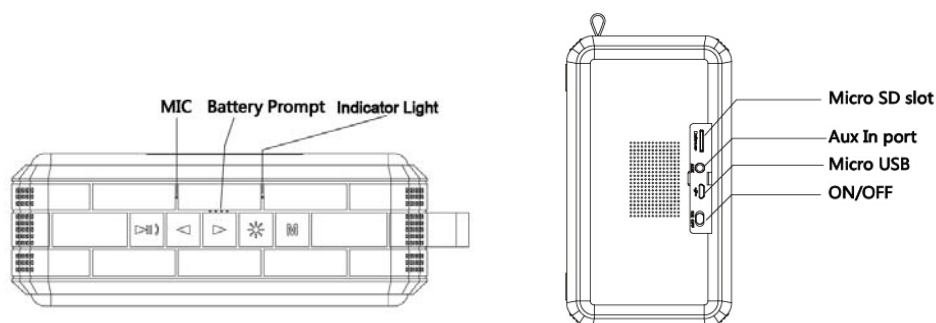
Net Weight: 418g

Size: 64.4mm* 63.85mm* 156.8mm

Package Contents

Bluetooth Speaker, Micro USB Cable, User Manual, 3.5mm audio cable, hanger

Slot and Keys



Quick Start

1. ◀▶

Under music playing mode, short press the ◀▶ buttons to switch to the previous / next song.

Long press the ◀▶ buttons to decrease / increase the volume continuously.

2. M

Short press the M button to switch the mode of Bluetooth/ Micro SD Card/AUX In

3. ☀

Short press to switch the LED themes

4. ▶||⏻

Long press the ▶||⏻ button and hold for 2 seconds to power on the speaker, the Working Indicator Light will be blue. Long press the ▶||⏻ button to power off the speaker.

Short press the ▶||⏻ button to pause/play/mute/answer the phone/end up the phone

5. ☀+◀▶

Pressing the light and the volume buttons simultaneously, you can choose the level of illumination: no lighting, level 1, level 2 and level 3.

6. Indicator light

Status	Color	
	Blue	Orange
On	Working	Charging
	Bluetooth Paired	
	Charging completed	
Flash	Wait for BT Paring	Low Battery

Instructions

1. Bluetooth

(1) Bluetooth Paired

Press the M button to enter the Bluetooth mode, now please turn on the Bluetooth function of your mobile/other devices. And start to search for Bluetooth devices, the




“T700” will be found, please connect it. (The speaker prompts “Device paired” when connected).

(2) Bluetooth Music


Please turn on the mobile or other devices' music player, and speaker will play the selected music.

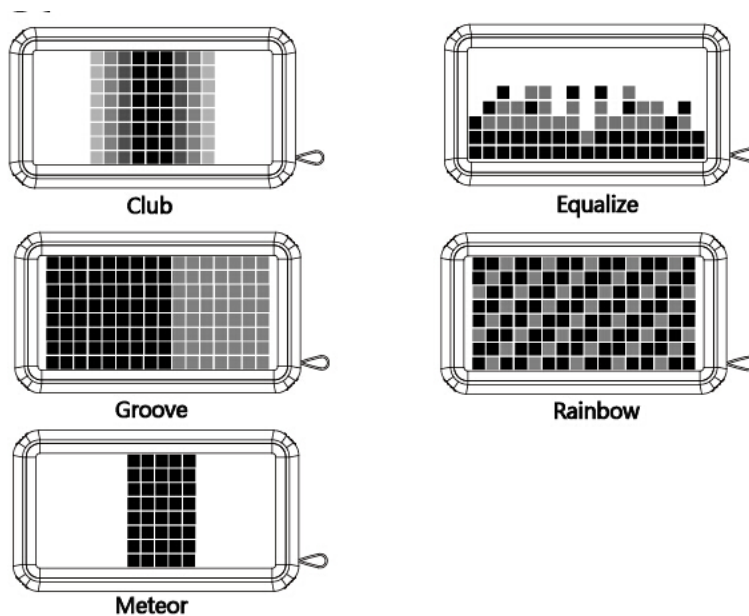
(3) Mobile Hands-free

Under pairing, using phone to call, it can enter the Hands-free status.

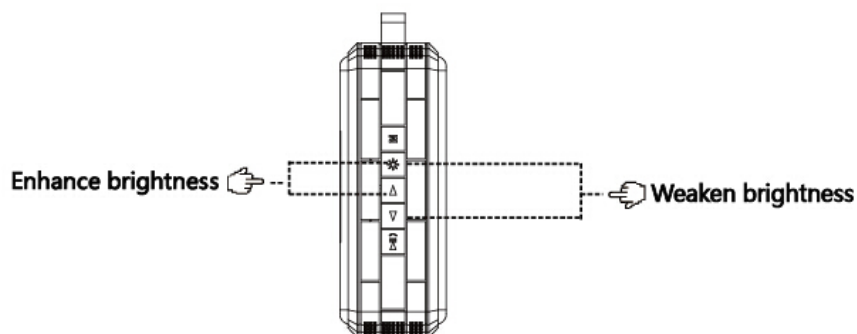
When a mobile call comes in, short press the  button to pick up the phone, re-press the  button to end up the call. Press the  button twice and speaker will re-dial the last telephone number.

2. LED Themes

Short press the  to switch the LED themes, there are five different LED themes.

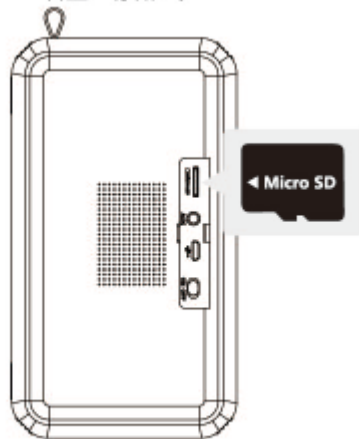


Note: The Club and Equalize themes only display when music playing



4. Micro SD Card Music Playing

Inserting the Micro SD Card into the speaker to enter the memory card mode, the speaker will play the Micro SD card music directly. (Speaker prompts “memory card mode”). The speaker support music format at WAV,MP3,WMA,APE,FLAC.



5. Aux In

Use the 3.5mm audio cable included to connect the speaker to an audio source (PC, MP3/MP4, mobile phone). Short press the **M** button to enter “**AUX IN**” mode (the speaker will voice “Aux in” mode). The speaker will play the music from the audio source.

Please note: Low battery will affect the music sound quality, please charge the speaker by adaptor (5V 1A) soon.

6.Charging

The speaker with the built-in lithium battery, use the USB cable included to connect the speaker to the computer or a branded good quality 5V/1000mA adaptor to charge the battery. When charging, the LED indicator is orange, when finished charging, the LED indicator will turn Blue

Please note: If low capacity, the indicator light will flash quickly, please charge immediately.

Troubleshooting

1. What should I do if the speaker can not pair with the Bluetooth device and play music accordingly?

Please check the specification/ the manual of the Bluetooth device (your mobile or computer), and check if the device can support the A2DP stereo audio transmission. If yes, please turn on the A2DP stereo mode.

2. What should I do if the Micro SD card can not work?

- (1) Ensure that the Micro SD card is in good condition. Also check that the audio files are the correct formats - MP3/WMA/WAV/APE/FLAC.
- (2) Besides the above case, the problem maybe the compatibility of the Micro SD card. We recommend you formatting the Micro SD Card to FAT32 file formats.

NOTE: This equipment has been tested and found to comply with the limits for a Class B digital device, pursuant to part 15 of the FCC Rules. These limits are designed to provide reasonable protection against harmful interference in a residential installation. This equipment generates, uses and can radiate radio frequency energy and, if not installed and used in accordance with the instructions, may cause harmful interference to radio communications. However, there is no guarantee that interference will not occur in a particular installation. If this equipment does cause harmful interference to radio or television reception, which can be determined by turning the equipment off and on, the user is encouraged to try to correct the interference by one or more of the following measures:

- Reorient or relocate the receiving antenna.
- Increase the separation between the equipment and receiver.
- Connect the equipment into an outlet on a circuit different from that to which the receiver is connected.
- Consult the dealer or an experienced radio/TV technician for help.

This device complies with part 15 of the FCC rules. Operation is subject to the following two conditions:

- (1) this device may not cause harmful interference, and
- (2) this device must accept any interference received, including interference that may cause undesired operation.

Changes or modifications to this unit not expressly approved by the party responsible for compliance could void the user's authority to operate the equipment.

The device meets RF Exposure requirements without any restriction.