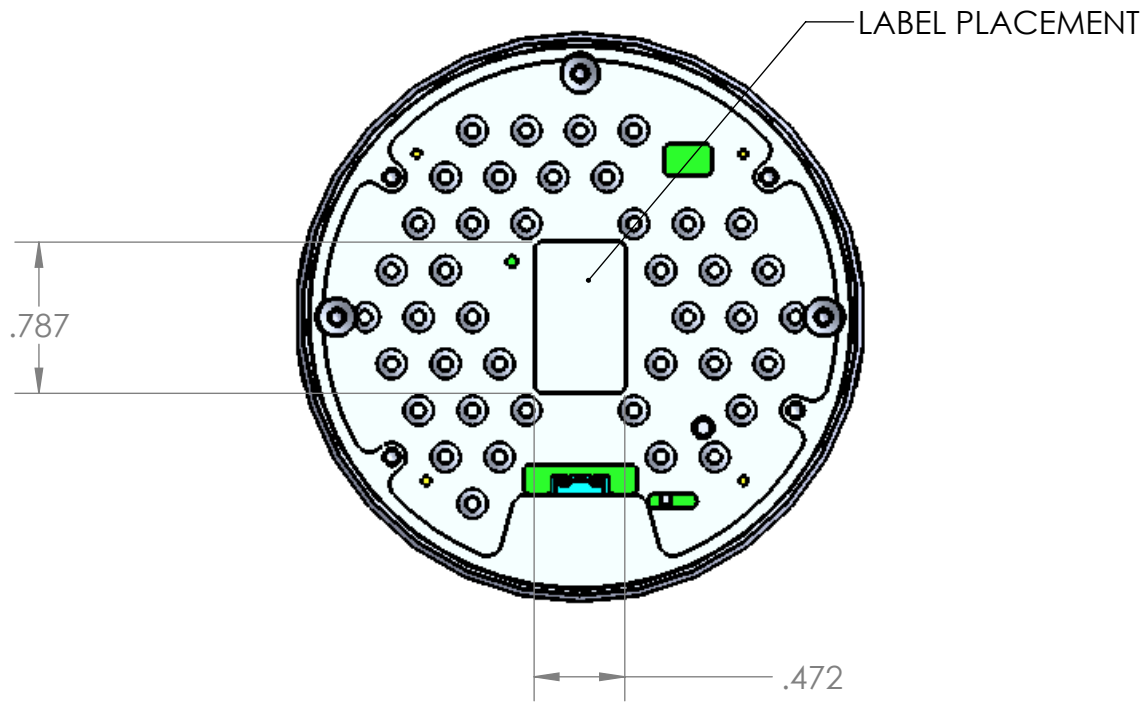


NOTE: (UNLESS OTHERWISE SPECIFIED)

1. MAKE FROM COMPUTER MODEL GENERATED FILE NO. 900-0514-00_TXNF LABEL PLACEMENT
2. MATERIAL: CLEAR POLYCARBONATE LABEL
3. ARTWORK: TBD (TO BE SUPPLIED)
4. MATERIAL AND FINISH TO COMPLY WITH RoHS

---REVISION---				
REV	DESCRIPTION	ECN	APPROVE	
			MECH	MFG
01	PRELIMINARY	0514	JJV	
			JJV	
			JJV	
			JJV	



UNLESS OTHERWISE SPECIFIED DIMENSIONS ARE IN INCHES: TOLERANCES: X.X = ±.030 X.XX = ±.015 X.XXX = ±.005 ANGULAR = ± 0°30'		THIS DRAWING CONTAINS PROPRIETARY INFORMATION WHICH IS THE PROPRIETARY PROPERTY OF ENERGOUS INC. THIS DRAWING IS CONFIDENTIAL AND ITS CONTENTS MAY NOT BE DISCLOSED WITHOUT PRIOR WRITTEN CONSENT OF ENERGOUS INC.		TXNF LABEL PLACEMENT	
3RD ANGLE PROJECTION 		APPROVAL	DATE		
MATERIAL:	SEE NOTES	DES:	J VITUG	05/14/16	REV
FINISH:	SEE NOTES	MFG:			01
		DO NOT SCALE DRAWING		SCALE: NONE	MODEL FILE: 900-0514-00
				SHT	1 OF 1