



EXTERIOR ROCK LIGHT KIT



App-Controlled for your vehicle

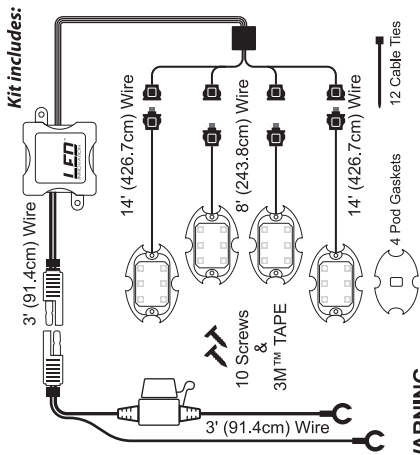
4Pod

23915

6. You have now successfully installed your new lighting system and are ready to customize it using the LED INNOV APP. Please see the "Info" tab on your LED INNOV APP for important tips and instructions.

OPTIONAL HARDWIRE KIT INSTALLATION INSTRUCTIONS:

1. Open the package and find the direct wire harness. (included)
2. Run the wires toward a 12V power source. (For example, a fuse box or light switch) The circuit chosen must be able to supply 3 Amps.
3. Connect the (+) red wire to a (+) positive power source that is switched (like a running light) so the light strips will light only when the vehicle ignition is turned on.
4. Or you can connect the red (+) positive wire to a circuit with constant power and add your own switch to turn it on and off. The LED INNOVATION APP also includes a master ON/OFF switch.
5. Connect the black (-) negative wire to any clean, metal ground.
6. Tuck and secure all wires.



WARNING

- Never use the LED Innovation App while driving & obey all traffic laws.
- This product is intended solely for the purpose of decorative or off-road use. Check laws and/or regulations in your state, county and/or municipality regarding installation and use of this product. This product is not DOT Approved.
- Do not install any accessory near or on airbags and never obstruct the driver's view.
- Do not install this product or run its wires near any moving parts. Keep all wires and lighting units away from excessively hot areas.
- 12 Volt use only. Product designed to draw up to 2.8 Amps.

BEFORE INSTALLATION

It is recommended that you download the App, connect and test your LED lighting kit before installation and read all instructions carefully.

INSTALLATION

1. Begin by laying out your new lighting system under the vehicle. Place your rock lights where you'd like to install them and set the 12V trailer connector or 12V direct wire where you will install them.
2. Next, choose a mounting location for the control box while making sure you leave enough wire to reach both the rock lights and 12V power input. If you need more wire length, use LED INNOVATION item number 23914, 4' Extension Cord 2PK, sold separately. Clean the control box installation surface thoroughly with alcohol and allow to dry before installation. Install your control box using the included two-sided tape and screws (if desired).
3. To install your rock lights, drill a pilot hole using a 1/16" bit. Use the included 20mm screws to secure the rock lights in place. Depending upon where you choose to install the rock lights, you may need to drill a 3/4" hole to run your wires. Run your wires from each rock light to the control box and connect them. Tuck and secure all wires with cable ties.
4. Insert the 12V trailer wiring harness into your trailer socket. Tuck and secure all wires. Alternatively, you may use the 12V hardwire option. (Follow the instructions on the next page)
5. Start your vehicle. Open your LED INNOV APP and choose to connect to the "EXT HUB" 1 channel system. Mobile phone must be within Bluetooth range. (Approximately 30 feet of the control box)

FCC

This device complies with Part 15 of the FCC Rules. Operation is subject to the following two conditions: (1) this device may not cause harmful interference, and (2) this device must accept any interference received, including interference that may cause undesired operation. NOTE: This equipment has been tested and found to comply with the limits for a Class B digital device, pursuant to Part 15 of the FCC Rules. These limits are designed to provide reasonable protection against harmful interference in a residential installation. This equipment generates, uses and can radiate radio frequency energy and, if not installed and used in accordance with the instructions, may cause harmful interference to radio communications. However, there is no guarantee that interference will not occur in a particular installation. If this equipment does cause harmful interference to radio or television reception, which can be determined by turning the equipment off and on, the user is encouraged to try to correct the interference by one or more of the following measures:

- Reorient or relocate the receiving antenna.
- Increase the separation between the equipment and receiver.
- Connect the equipment into an outlet on a circuit different from that to which the receiver is connected.
- Consult the dealer or an experienced radio/TV technician for help.

CAUTION: Changes or modifications not expressly approved by the party responsible for compliance could void the user's authority to operate the product. This equipment complies with FCC radiation exposure limits set forth for an uncontrolled environment. This transmitter must not be co-located or operated in conjunction with any other antenna or transmitter.

To learn more about Smart Lighting and download the App scan the QR code with your smartphone!



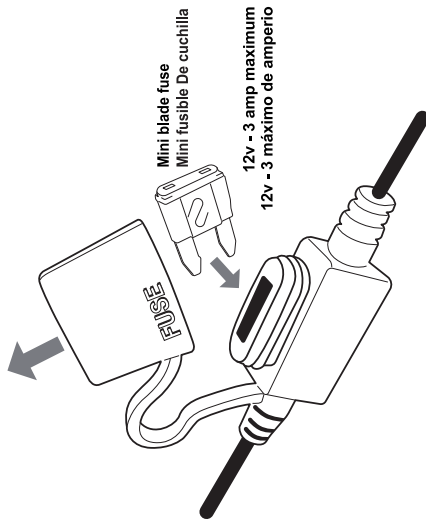
Download the "LED INNOV" App



A registered trademark of Bluetooth SIG, Inc

Model: 23915

FCC ID: 2ADMQ-23915-23916



To replace fuse, remove fuse and replace with like amperage. Para cambiar el fusible, saque el fusible y reemplácelo con uno de amperaje similar.