



# 48"

## INTERIOR LED STARTER KIT



### Smart Lighting

App-Controlled for your vehicle



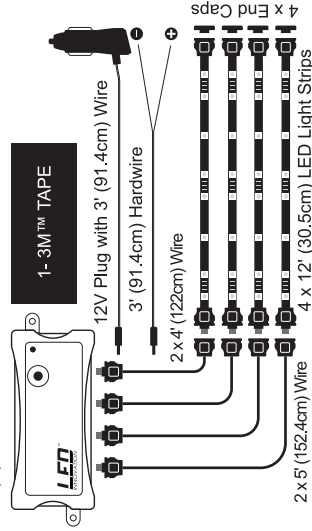
23911

- Open your LED INNOV App and choose to connect to the "INT HUB" 4 channel system. Mobile phone must be within Bluetooth range. (Approximately 30 feet of the control box)
- You have now successfully installed your new lighting system and are ready to customize it using the LED INNOV App. Please see the "Info" tab on your LED INNOV App for important tips and instructions.

### OPTIONAL HARDWARE KIT INSTALLATION INSTRUCTIONS:

- Open the package and find the direct wire harness. (included)
- Run the wires toward a 12V power source. (For example, a fuse box or light switch) The circuit chosen must be able to supply 3 Amps.
- Connect the (+) black wire with white stripe to a (+) positive power source that is switched (like an instrument panel light or running light) so the light strips will light only when the vehicle ignition is turned on.
- Or you can connect the black and white (+) positive wire to a circuit with constant power and use the push button on/off switch on the control box or add your own switch to turn it on and off.
- Connect the black (-) negative wire to any clean, metal ground.
- Tuck and conceal all wires.

Kit includes:



### WARNING

- Never use the LED Innovation App while driving & obey all traffic laws.
- This product is intended solely for the purpose of decorative or off-road use. Check laws and/or regulations in your state, county and/or municipality regarding installation and use of this product. This product is not DOT Approved.
- Do not install any accessory near or on airbags and never obstruct the driver's view.
- 12 Volt use only. Product designed to draw up to 2.8 Amps.
- Do not exceed 12 light strips on each control box.
- Do not exceed 3 light strips on each output wire.
- Only LED INNOVATION light strips may be used with this product.
- This product is designed and engineered for INTERIOR USE ONLY.

### BEFORE INSTALLATION

It is recommended that you download the App, connect and test your LED lighting kit before installation.

### INSTALLATION

- Begin by laying out your new lighting system inside the vehicle. Place your light strips where you'd like to install them and plug the 12V plug into your vehicle's 12V socket. Next, choose a mounting location for the control box while making sure you leave enough wire to reach both the 12V socket and your light strips. Install your control box using the included two-sided tape and screws (if desired).  
**Note: If planning to use the 12V hardwire kit instead of the 12V plug, make sure you have enough cord length to your desired control box mounting location.**
- To install your light strips, clean your installation surface thoroughly with alcohol and allow to dry before installation. It is recommended that the temperature for installation is 65-90° F (18-32° C).
- Align arrows to connect LED strips to wire harness.
- Peel off the 3M™ tape backer on your light strips and carefully apply to the desired area - Let adhesive set for at least 1 hour.  
Tuck and conceal all wires with cable ties.  
**Note: We DO NOT recommend cutting the wires in order to shorten them.**
- Insert the 12V plug into the 12V socket. Push the ON/OFF button on your controller. The red light on your controller and your light strips should illuminate.

To learn more about Smart Lighting and download the App scan the QR code with your smartphone!



Download the "LED INNOV" App



A registered trademark of Bluetooth SIG, Inc

Model: 23911

FCC ID: 2ADMQ-23911

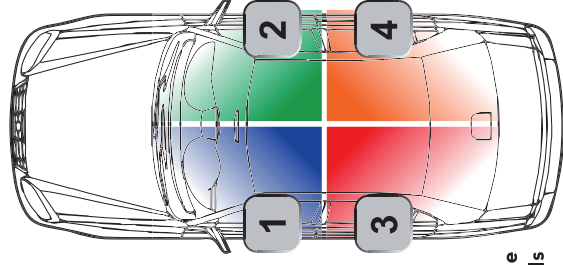
Input: 12V DC 2.8A  
Output: 12V DC 2.8A



Fuse: 3A, 250V



To replace fuse, unscrew top of plug, remove fuse and replace with like amperage.  
Para cambiar el fusible, desatornille el extremo del obturador, saque el fusible y reemplácelo con uno de amperaje similar.



### 4 Customizable Color Channels

For FCC matters please contact:  
Custom Accessories Inc., 5900 Ami Drive, Richmond, IL 60071  
Ph. # (815) 678-1600

### FCC RF Radiation Exposure Statement

The device has been evaluated to meet general RF exposure requirement. The device can be used in portable exposure condition without restriction.

### FCC

This device complies with Part 15 of the FCC Rules. Operation is subject to the following two conditions: (1) this device may not cause harmful interference, and (2) this device must accept any interference received, including interference that may cause undesired operation. NOTE: This equipment has been tested and found to comply with the limits for a Class B digital device, pursuant to Part 15 of the FCC Rules. These limits are designed to provide reasonable protection against harmful interference in a residential installation. This equipment generates, uses and can radiate radio frequency energy and, if not installed and used in accordance with the instructions, may cause harmful interference to radio communications. However, there is no guarantee that interference will not occur in a particular installation. If this equipment does cause harmful interference to radio or television reception, which can be determined by turning the equipment off and on, the user is encouraged to try to correct the interference by one or more of the following measures:

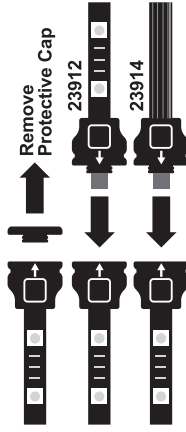
- Reorient or relocate the receiving antenna.
- Increase the separation between the equipment and receiver.
- Connect the equipment into an outlet on a circuit different from that to which the receiver is connected.
- Consult the dealer or an experienced radio/TV technician for help.

**CAUTION:** Changes or modifications not expressly approved by the party responsible for compliance could void the user's authority to operate the product. This equipment complies with FCC radiation exposure limits set forth for an unco-located or operated in conjunction with any other antenna or transmitter.

### ADDING ON TO YOUR LED LIGHTING KIT:

Your LED INNOVATION Lighting System is modular, so you can easily add more lights to your vehicle! To add an additional 12" light strip or 4' extension cord, simply follow the diagram below. Your system will allow you to connect up to 12 light strips in total (3 light strips on each side). Look for the following item numbers at your favorite retailer:

- 23912: LED INNOVATION 12" Interior RGB Light Strip
- 23914: LED INNOVATION 4' Extension Cord 2 Pack



### ONE YEAR WARRANTY

We guarantee this product to be free of defects in material and workmanship for a period of one year from the date of purchase. If a defect in material or workmanship occurs, call Custom Accessories customer service at (800) 962-6676 for instructions on how to have it replaced or repaired free of charge.

### PROOF OF PURCHASE OR RECEIPTS MUST BE PROVIDED FOR ANY/ALL REPLACED OR REPAIRED ITEMS.

This guarantee does not cover normal damage to the product that is not the result of a defect in materials or workmanship such as, for example, normal wear and tear or damage resulting from an accident. Shipment of any product back to Custom Accessories is at the consumer's expense. Custom Accessories, Inc. limits its liability only to the replacement of its products, not incidental or consequential damages to other property. Some states do not allow the exclusion or limitation of incidental or consequential damages. This guarantee gives you specific legal rights and you may also have other rights which vary from state to state.