

ADVENTURER DRONE

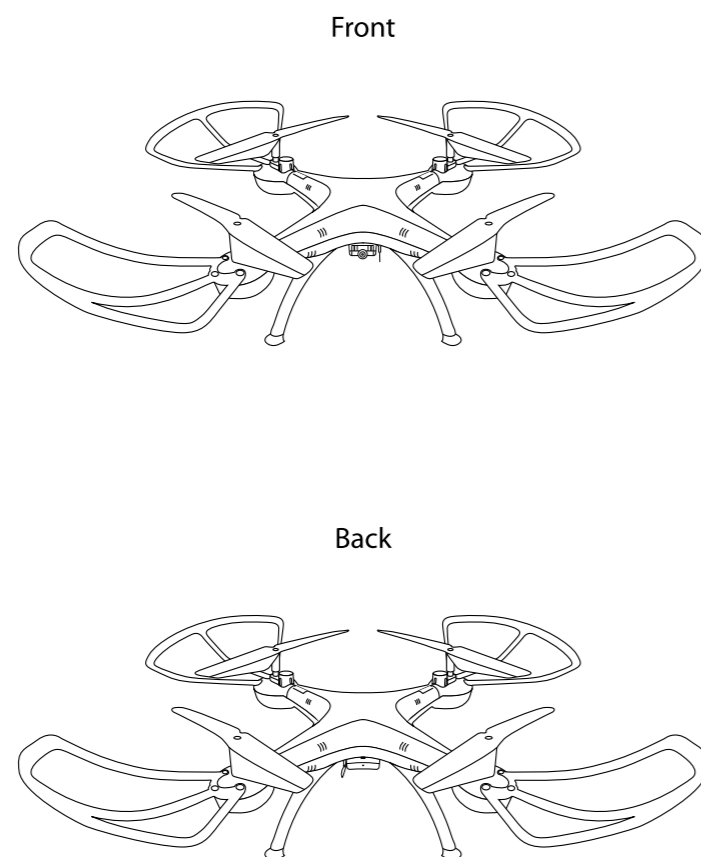
Instruction Manual

Thank you for purchasing the adventurer drone. This manual provides more information about this drone, please read the instructions before using.

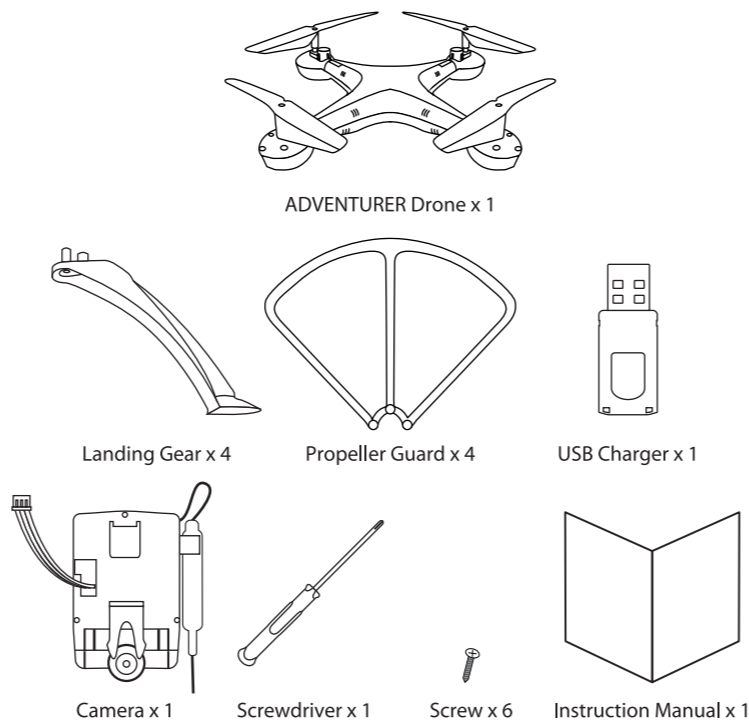


14+

Product Overview



Package Contents



Specification

Drone power supply: Rechargeable 380 mAh Li-ion Battery 3.7V
 Charging time: Approx. 1 hour
 Play time: 6-7 minutes
 Control distance: Within 130 Feet

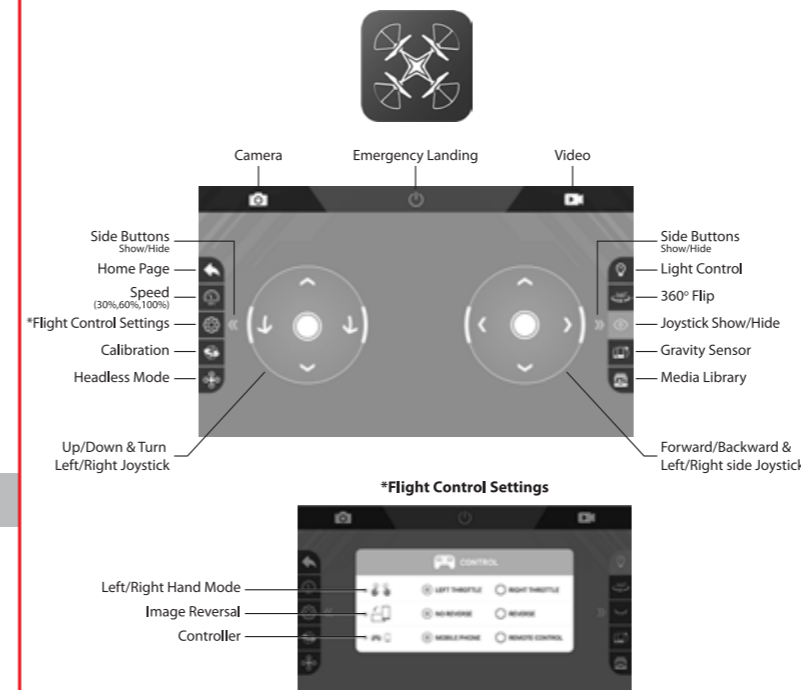
Smartphone App Download



Method 1: Scan the QR Code for quick download
 Method 2: Search "WIFI ADVENTURER" in the Apple app store or Google Play
 As the app download limitations are not the same in all the countries. Please noted that the method of download maybe different, but you can try all the three methods provided for you above.

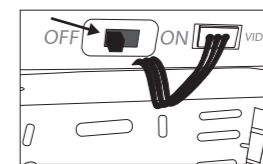
Compatible With: iOS & Android

Remote Control App



Power On/Off

Slide the ON/OFF Switch to ON to turn on the ADVENTURER Drone.
 Slide the ON/OFF Switch to OFF to turn off the ADVENTURER Drone.



Connect the Drone

Step 1: Turn the drone power on, and place the drone on a flat location. The indicator will start to flash.
Step 2: Activate the Wifi function on your phone within range and select "WIFI DRONE_XXXX" from the list shown.
Step 3: Open the ADVENTURER Drone control app, press start button, it will automatically connect to the drone.



Camera Photo / Video Instructions

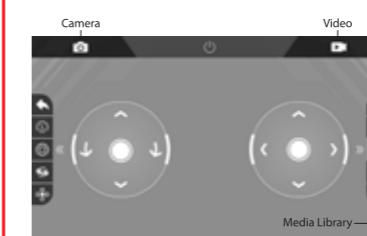
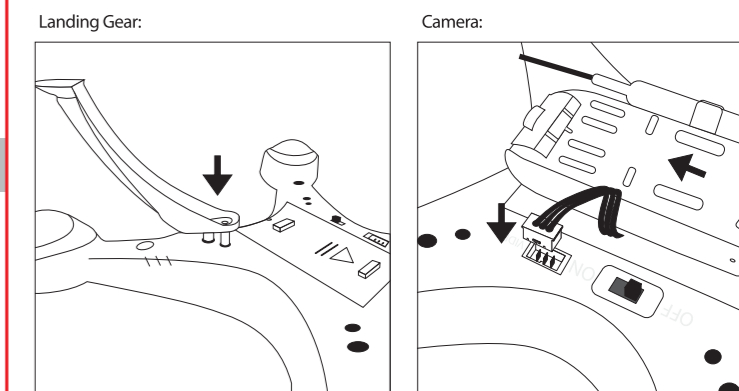
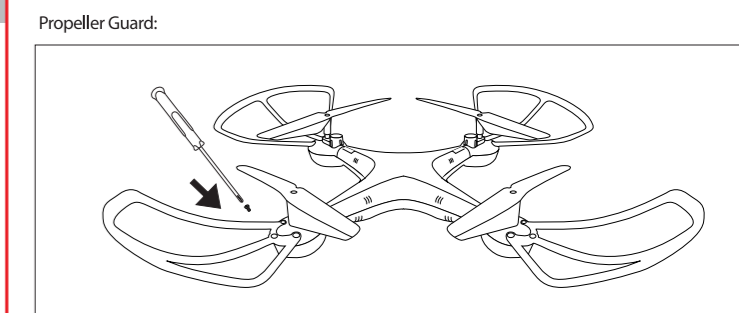


Photo: Press the Camera button from the app to take a photo. The photo will automatically saved to the app Media Library (e.g. /storage/emulated/0/DCIM/Camera) and your phone album.
Video: Press the Video button from the app to start recording video. Press again to stop recording. The video will automatically saved to the app Media Library (e.g. /storage/emulated/0/DCIM/Camera) and your phone album.

* Due to different smartphone & OS, the way to export the photo or video may be different.
 * Export the photo and video to computer based on your usual method.

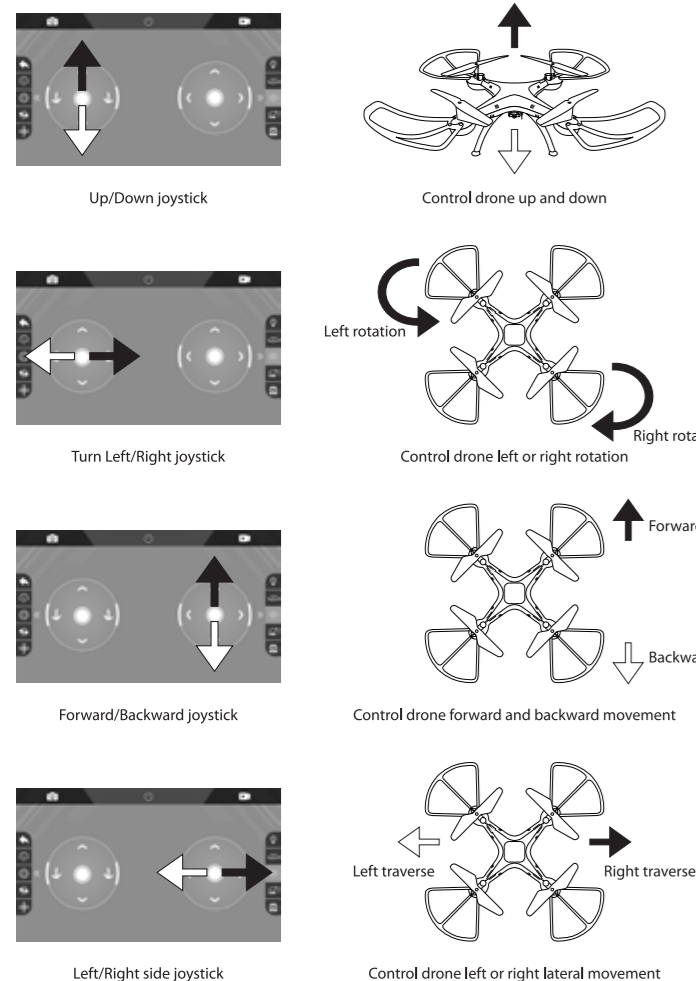
Drone Accessories Assembly

Propeller Guard: Insert four propeller guard into the holes of the drone, and use the screwdriver to lock four screws lightly.
Landing Gear: Insert the four landing gear into the landing gear holes at the bottom of the drone.
Camera: Insert camera stuck on fuselage buckle at the bottom of the drone, and plug the wire to the video section.



Operation Method

Note: To avoid losing control, always pay attention when controlling the drone.



Follow below Instructions to perform some 360-degree rolling action. In order to perform rolling action, ensure to maintain the height of drone.

Press the 360-degree button from the app first and then select rolling direction mentioned below.

Left side tumbling
 Click the "Forward/Backward & Left/Right side joystick" toward the left quickly from the app and then click the joystick back to the middle.



Right side tumbling
 Click the "Forward/Backward & Left/Right side joystick" toward the right quickly from the app and then click the joystick back to the middle.



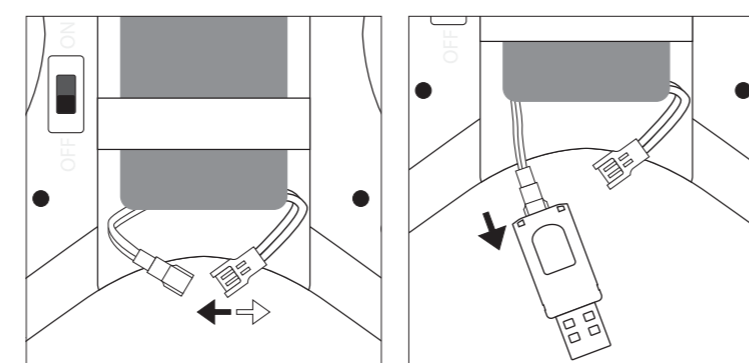
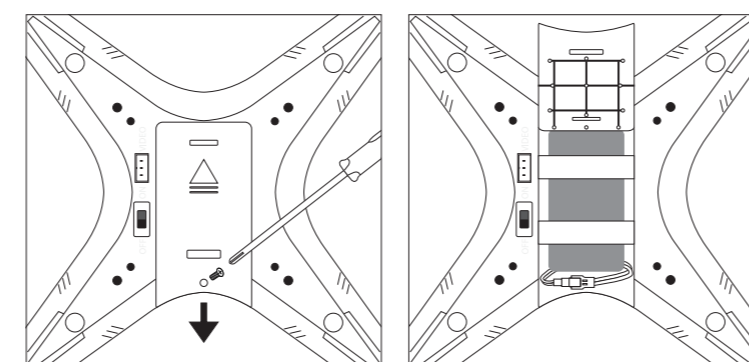
Front rolling
 Click the "Forward/Backward & Left/Right side joystick" toward the front quickly from the app and then click the joystick back to the middle.



Backflip
 Click the "Forward/Backward & Left/Right side joystick" toward the back quickly from the app and then click the joystick back to the middle.



Drone Battery Charging



To recharge the battery of the drone. Unscrew the screw on the battery box to open the cover. Disconnect the rechargeable Li-ion battery from the drone. Connect and plug into the socket of USB charger for battery charging. It should be placed as shown on the diagram. In the process of the battery charging, the indicator light turns on in red; after full charging, the indicator light will turn off.

Notice

Please read this instruction manual carefully before operating the product.
 Please do not operate the product in the gale.
 The flying ground should be the local field and legal for remote control flying. Please do not operate the product in forbidden zone or around people or animals.
 Keep the aircraft a certain distance (at least 2-3 meters) from others when playing together.

Care and Maintenance

Always use dry and soft cloth to clean this product.
 Avoid this product from being exposed to sunlight or heat.
 Avoid immersing these toys in water, otherwise, the electronic parts may be damaged.
 Check regularly and inspect the plug and other accessories. If any damages are discovered, please stop using immediately, until it is completely repaired in good working condition.

Important: Battery Information

Li-ion battery charging warning statement:
 The input to the drone is 5V 1A.
 In order to charge the drone in a safe manner and reliable conditions, please only adopt battery pack or USB ports from laptop or computer for charging this product.
 Please note that we won't take any responsibility for any wrong operation (eg. Voltage higher than 5V) as this may result in severe injury or loss of property, and we cannot control the operating process during the time the user using this product.

Warning

This product is suitable to be used by people who has operating experience in flying model or aged no less than 14 years old.
 This product is not a toy but a precise equipment integrating mechanics and electronics with expertise of aerodynamics and high-frequency transmitting. It requires correct assembly and debug so as to prevent the accident from happening. The user should operate or control it in a safe way.
 Please do not put the product in your mouth to prevent choking hazard of small parts.
 Please do not put the finger into available interspaces.
 Please do not play the product in a brutal way such as throwing, crashing or twisting it.
 Please store the smaller-sized product accessories in places that are out of reach of children, in order to avoid the occurrence of accidents.
 The product is very powerful. When flying for the first time, observe carefully. The joystick must be slowly pushed in order to prevent the product from ascending too quickly and result in unnecessary collision and damages.
 When the flight has ended, the power supply of the remote control should be switched off and also switch off the power supply of the product.
 Avoid placing the batteries in places in high temperatures and avoid exposure to heat.

When young children are operating the product, it shall be ensured that the adults are guiding and making sure the product control is within the viewing range of the controller (or instructor) so that it makes the control of the drone more convenient.
 When the product is not in use, please switch off the power supplies of both the aircraft and the remote control, and remove the batteries from the remote control.
 Please note that we won't take any responsibility for any wrong operation as this may result in severe injury or loss of property, and we cannot control the operating process during the time when the user assembles or uses this product.
 Once this product is sold, we won't be responsible for any safety responsibility during the time the user operates or uses controls this products.

FCC Statement

This device complies with the part 15 of the FCC rules. Operation is subject to the following two conditions: (1) this device may not cause harmful interference, and (2) this device must accept any interference received, including interference that may cause undesired operation.
 Caution: changes or modifications not expressly approved by the party responsible for compliance could void the user's authority to operate the equipment.

NOTE: This equipment has been tested and found to comply with the limits for a Class B digital device, pursuant to Part 15 of the FCC Rules. These limits are designed to provide reasonable protection against harmful interference in a residential installation. This equipment generates, uses and can radiate radio frequency energy and, if not installed and used in accordance with instructions may cause harmful interference to radio or television reception, which can be determined by turning the equipment off and on. The user is encouraged to try to correct the interference by one or more of the following measures:
 • Reorient or relocate the receiving antenna.
 • Increase the separation between the equipment and receiver.
 • Connect the equipment into an outlet on a circuit different from that to which the receiver is connected.
 • Consult the dealer or experienced radio/TV technician for help.

RF Warning Statement:
 The device has been evaluated to meet general RF exposure requirement.
 This equipment should be installed and operated with minimum distance 20cm between the radiator & your body.

FCC ID: 2ADM5-TL0021

Made Exclusively for Five Below
 Distributed by Zeeva International Limited
 Suite 1006C-8, 10th Floor, Exchange Tower,
 33 Wang Chiu Road, Kowloon Bay,
 Hong Kong, China



Keep All Relevant Information for Future Reference

