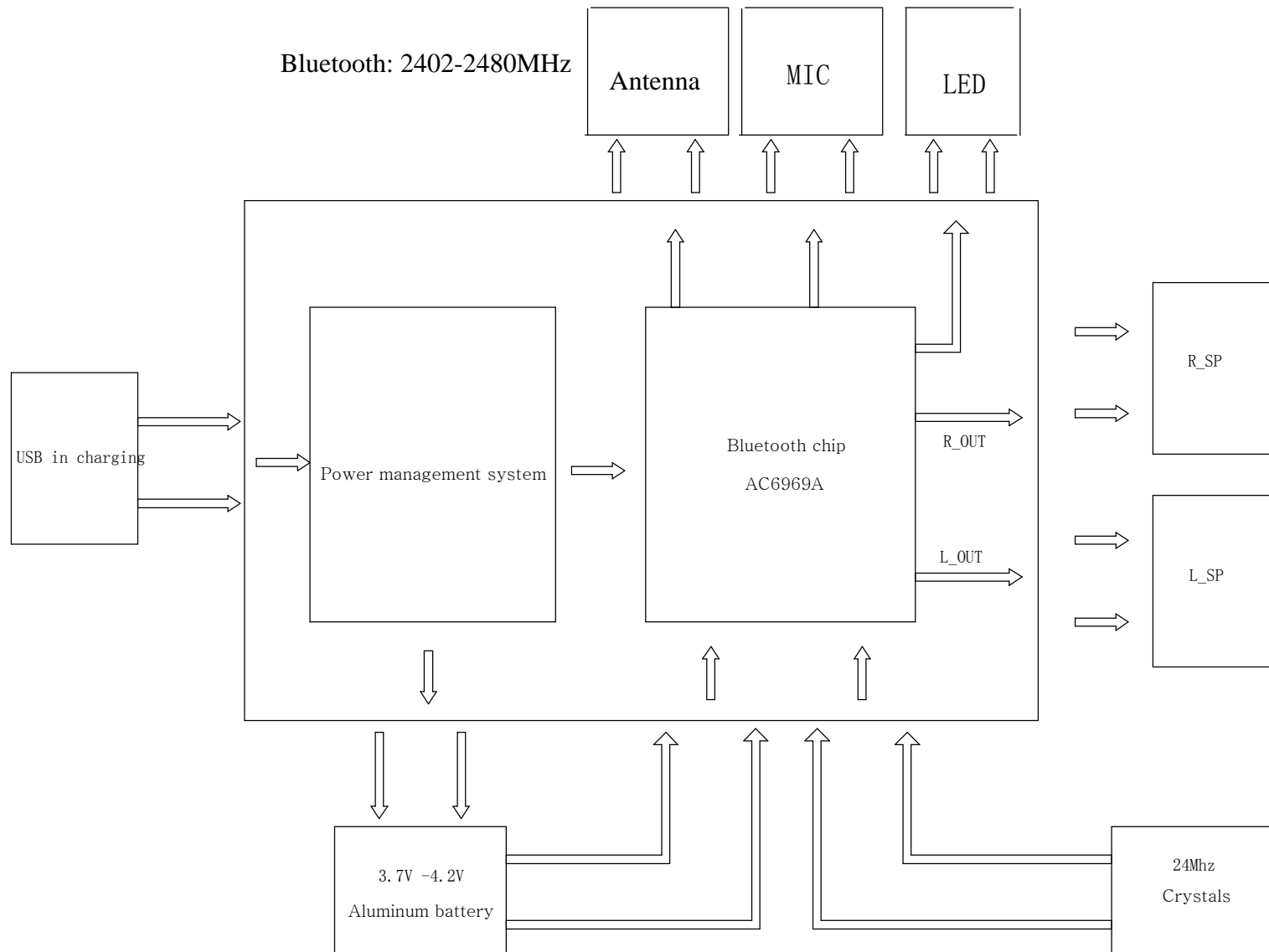


# BLOCK DIAGAM



BLOCK DIAGAM		
FILE NAME:		
SHEET NAME:		
DRAWN BY:	DATE: 2019-10-20	VERSION: M01
CHECKED BY:	DATE:	SHEET: 1/1
APPROVED BY:	DATE:	SIZE: A3